



US00D732366S

(12) **United States Design Patent**
Villegas Gomez

(10) **Patent No.:** **US D732,366 S**
(45) **Date of Patent:** **** Jun. 23, 2015**

- (54) **SHARPENER FOR RAZOR**
- (71) Applicant: **Carlos Enrique Villegas Gomez**,
Briarwood, NY (US)
- (72) Inventor: **Carlos Enrique Villegas Gomez**,
Briarwood, NY (US)
- (**) Term: **14 Years**
- (21) Appl. No.: **29/460,617**
- (22) Filed: **Jul. 12, 2013**
- (51) **LOC (10) Cl.** **08-05**
- (52) **U.S. Cl.**
USPC **D8/92**
- (58) **Field of Classification Search**
USPC D8/14, 90-94, 105, 499; 451/234, 324,
451/461, 486, 552, 555-558
CPC A45D 27/22; A63C 11/06; B23D 67/12;
B24B 3/48; B24D 15/066; B24D 15/068;
B24D 15/088; B24D 15/10; B24D 15/105;
B26B 21/40; B26B 21/4087; B26B 21/50
See application file for complete search history.

D134,956 S *	2/1943	Harrison et al.	D28/44
D135,029 S *	2/1943	Griffies	D8/92
D135,471 S *	4/1943	Royall	D8/92
D136,157 S *	8/1943	Scott	D8/92
D136,858 S *	12/1943	Smith	D8/92
D136,883 S *	12/1943	De Swart	D8/92
2,360,079 A *	10/1944	Smith	451/556
2,372,121 A *	3/1945	Rosenberg	451/324
D144,274 S *	3/1946	Trinque	D8/91
D162,356 S *	3/1951	Smith	D8/92
3,101,536 A *	8/1963	Bringewald	30/36
3,921,341 A *	11/1975	Thompson	451/558
4,998,956 A *	3/1991	Sherman	76/83
D333,965 S *	3/1993	Wood	D8/92
6,062,970 A *	5/2000	Back	451/556
D446,707 S *	8/2001	Carlson et al.	D8/91
D523,717 S *	6/2006	Guo et al.	D8/63
7,104,874 B1 *	9/2006	Gussack et al.	451/234
D629,272 S *	12/2010	Gherman	D8/92
2005/0101231 A1 *	5/2005	Sekerich	451/234
2007/0074603 A1 *	4/2007	Gherman et al.	76/82
2010/0068975 A1 *	3/2010	Yadid et al.	451/45
2010/0257744 A1 *	10/2010	Malkewich	30/538

* cited by examiner

Primary Examiner — Susan E Krakower

Assistant Examiner — Roselynn Cody

(74) *Attorney, Agent, or Firm* — Amster, Rothstein & Ebenstein, LLP

(56) **References Cited**

U.S. PATENT DOCUMENTS

D51,550 S *	12/1917	Floyd	D8/92
D74,516 S *	2/1928	Mohler	D8/92
D85,218 S *	9/1931	Weiss	D8/92
D85,642 S *	12/1931	Govoni	D8/92
D86,424 S *	3/1932	Wavpotich et al.	D8/92
D86,520 S *	3/1932	Hawe	D8/92
D86,763 S *	4/1932	Cooke	D8/92
D87,452 S *	8/1932	Allman	D8/92
D87,627 S *	8/1932	Dunn	D8/94
D87,673 S *	8/1932	Montgomery	D8/92
D87,755 S *	9/1932	McKibbin	D8/92
D89,938 S *	5/1933	Miller	D8/92
D96,071 S *	6/1935	Weiss	D8/92
D105,712 S *	8/1937	Muelberger, Jr.	D8/92

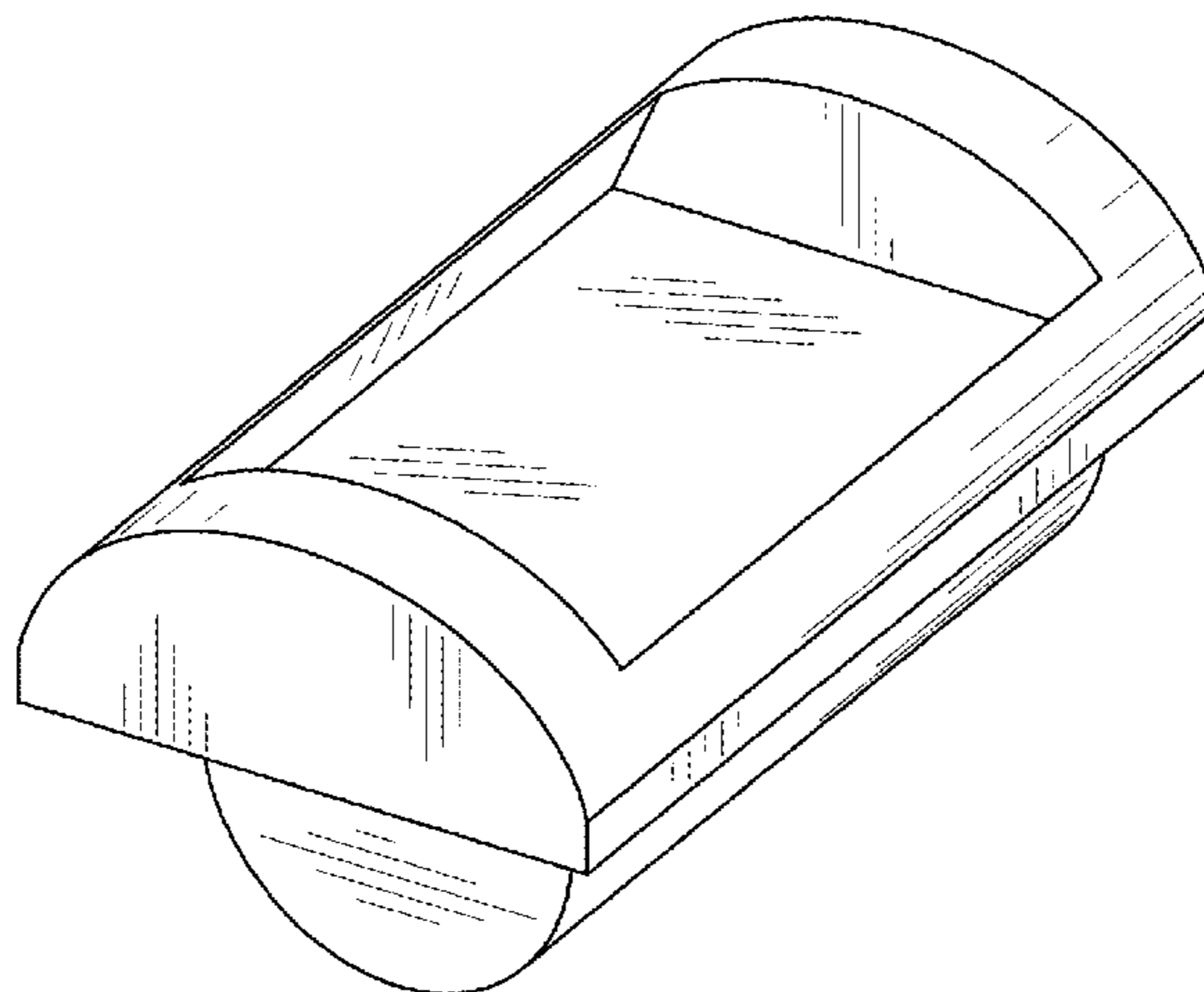
(57) **CLAIM**

The ornamental design for a sharpener for razor, as shown and described.

DESCRIPTION

FIG. 1 is a top perspective view of the sharpener for razor; FIG. 2 is a bottom perspective view of the sharpener for razor; FIG. 3 is a left or right side view of the sharpener for razor; FIG. 4 is a front or rear view of the sharpener for razor; FIG. 5 is a top plan view of the sharpener for razor; and FIG. 6 is a bottom plan view of the sharpener for razor.

1 Claim, 2 Drawing Sheets



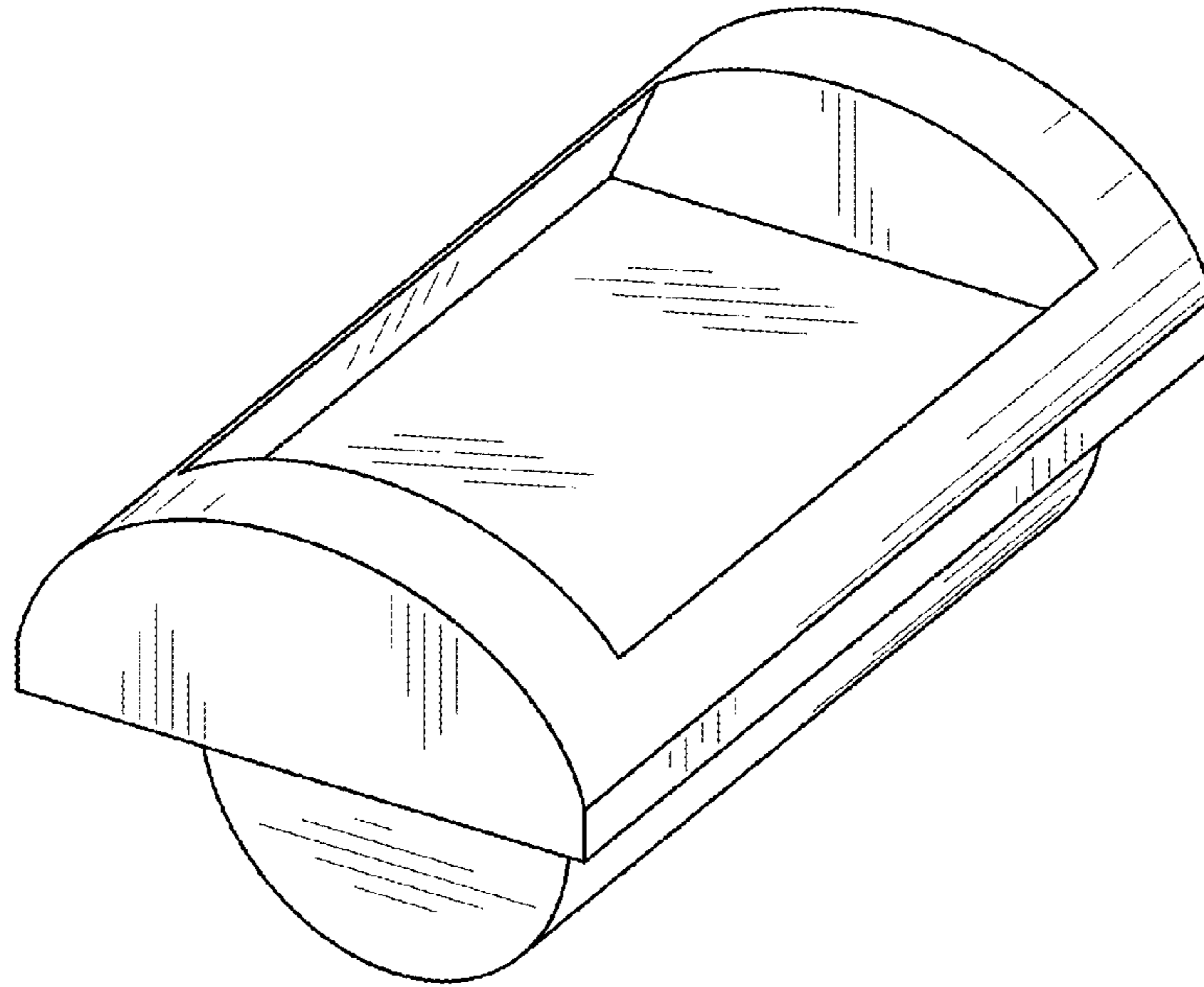


FIG. 1

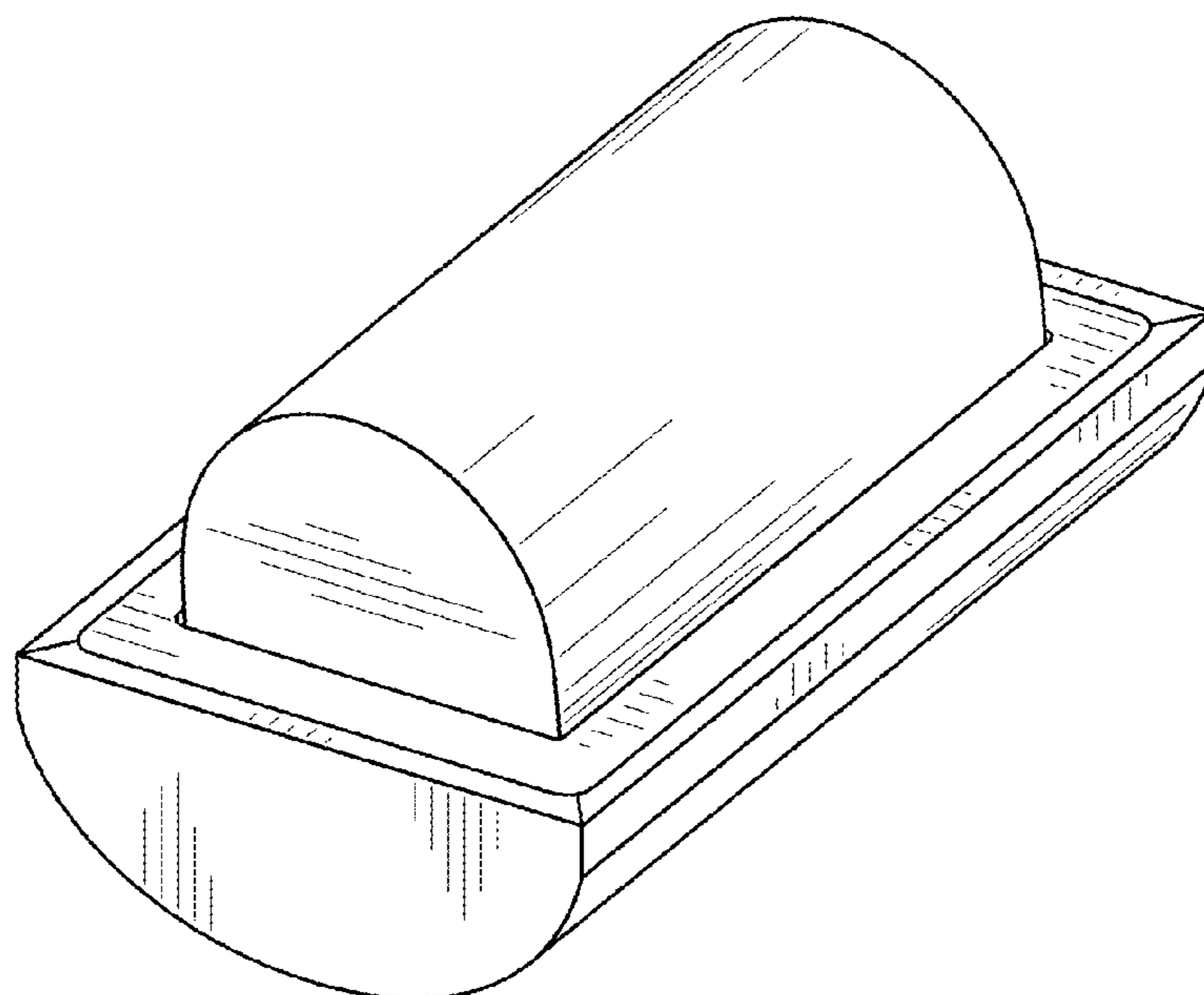


FIG. 2

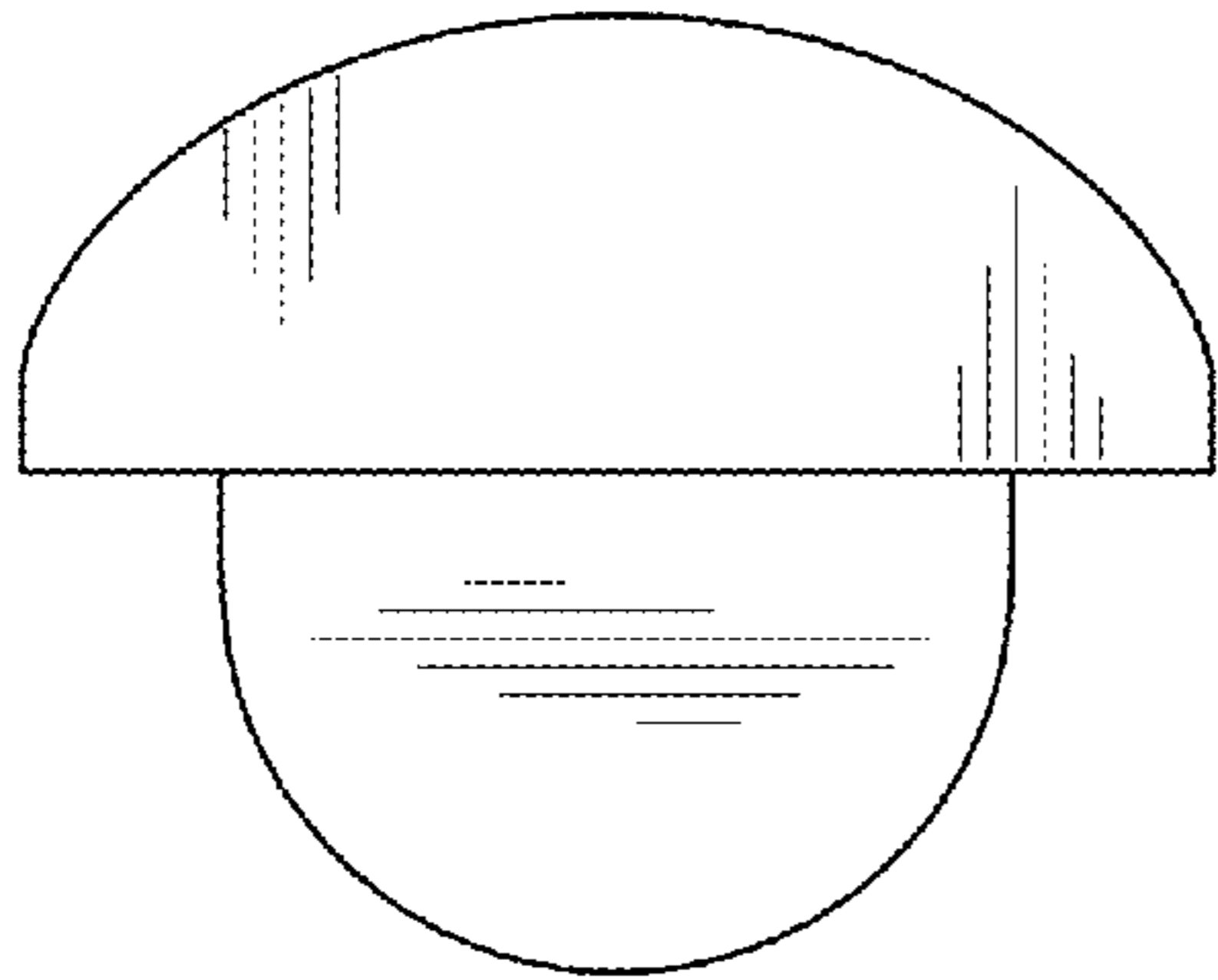


FIG. 3

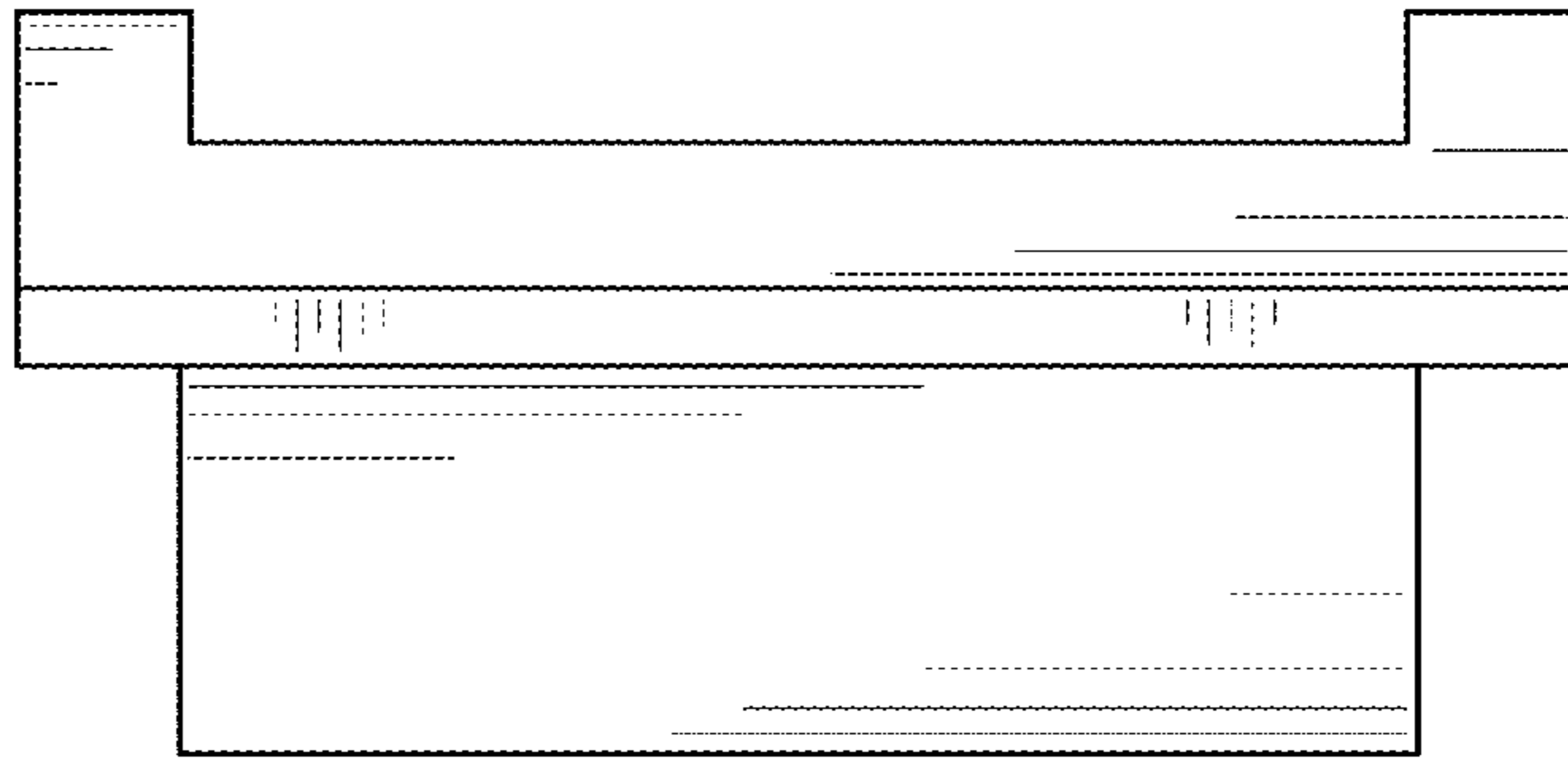


FIG. 4

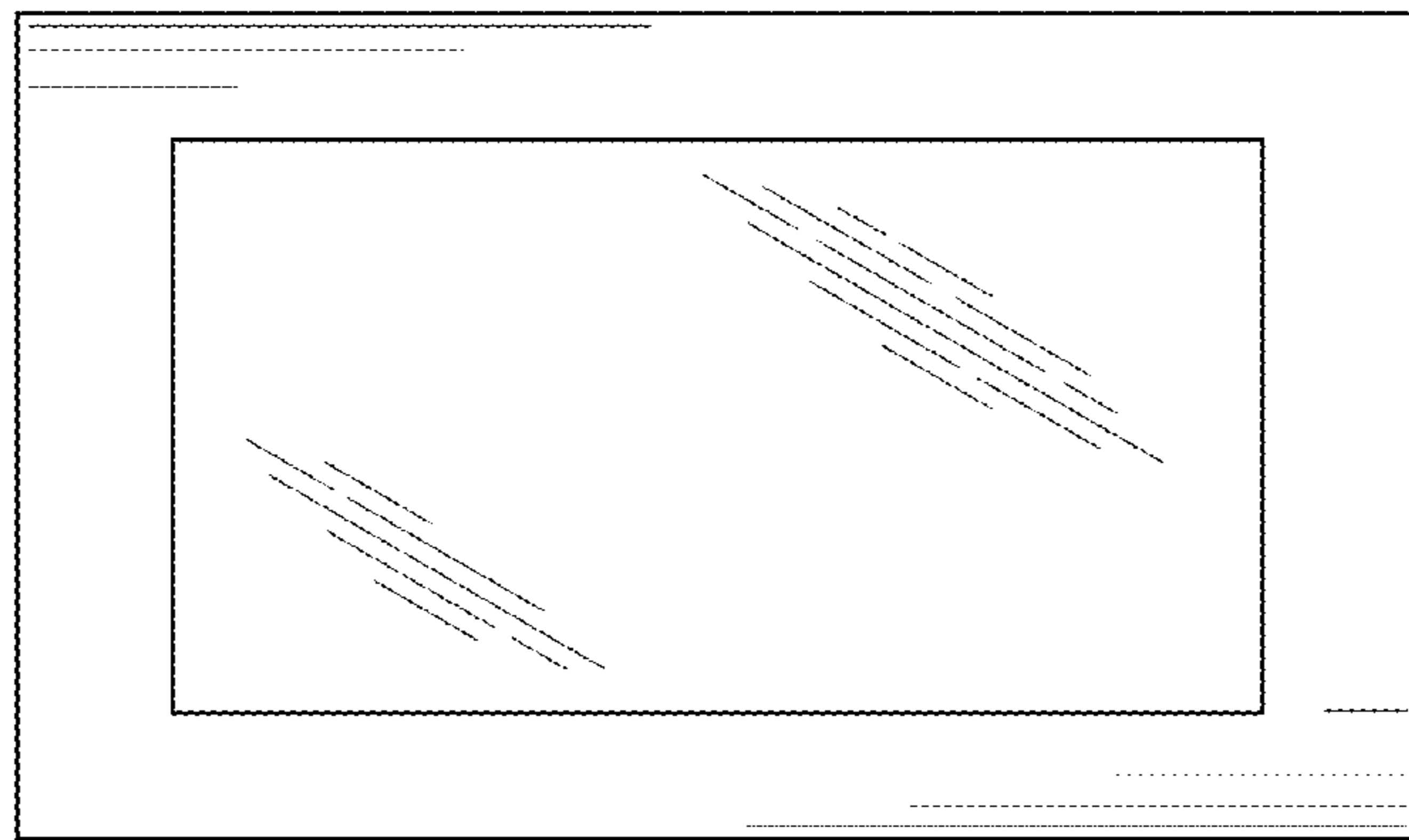


FIG. 5

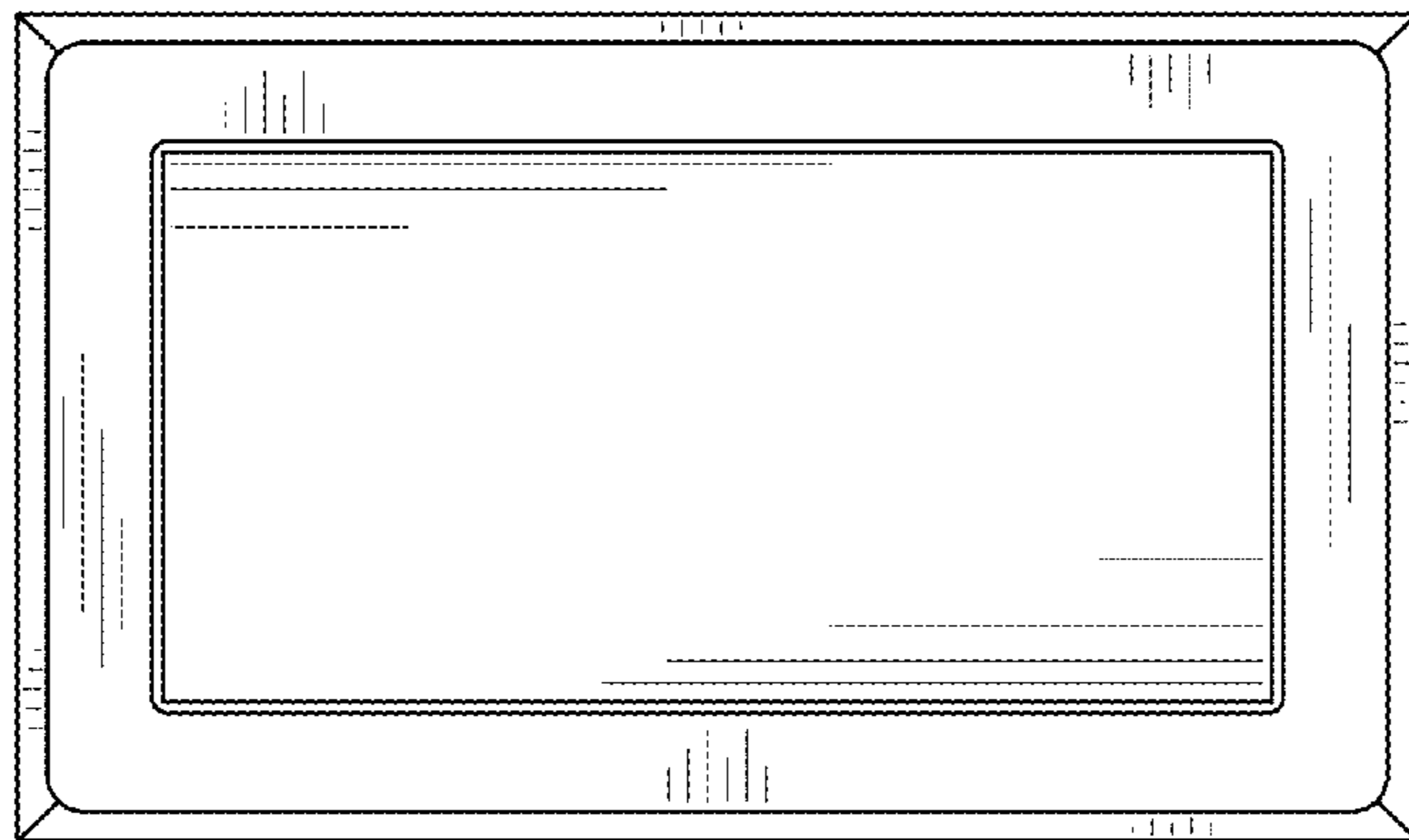


FIG. 6