



US00D732364S

(12) **United States Design Patent**
Rinaldis et al.

(10) **Patent No.:** **US D732,364 S**

(45) **Date of Patent:** **** Jun. 23, 2015**

(54) **REMOVABLE CHUCK**

(71) Applicant: **McGinley Engineered Solutions, LLC**,
Casper, WY (US)

(72) Inventors: **David J. Rinaldis**, Redwood City, CA
(US); **Graham R. Faulkner**, San Mateo,
CA (US); **Martin A. Leugers**, San
Francisco, CA (US)

(73) Assignee: **McGinley Engineered Solutions, LLC**,
Casper, WY (US)

(**) Term: **14 Years**

(21) Appl. No.: **29/495,671**

(22) Filed: **Jul. 2, 2014**

(51) **LOC (10) Cl.** **08-05**

(52) **U.S. Cl.**
USPC **D8/70**

(58) **Field of Classification Search**
USPC D8/70, 71, 85, 86, 349, 359, 382, 387,
D8/394, 397; D15/138, 139; 81/124.2,
81/176.15, 176.2, 177.1, 177.2, 437;
279/62, 143, 145, 902; 299/87.1, 106,
299/107, 109; 408/143, 144, 153, 223;
411/179, 180, 427, 429, 918; D22/134,
D22/137, 138, 140, 141; 242/118.4, 118.41,
242/311, 322; 33/733; D3/24, 25
CPC B25B 15/00; B25B 23/0035; B25B 23/12;
B25B 23/0028; B25B 23/00; B25B 23/10;
B25B 23/08; B25F 1/003; B25G 1/066
See application file for complete search history.

(56) **References Cited**

U.S. PATENT DOCUMENTS

D330,318 S * 10/1992 Snider D8/70

D359,432 S * 6/1995 Owens D8/70
D385,171 S * 10/1997 Lehman D8/70
D409,067 S * 5/1999 Sakamaki D8/70
D419,845 S * 2/2000 Yasutomi et al. D8/70
D423,899 S * 5/2000 Yasutomi et al. D8/70
D447,038 S * 8/2001 Netzler D8/70
6,675,911 B2 * 1/2004 Driessen 173/216
D590,228 S * 4/2009 Aglassinger D8/70
D626,395 S * 11/2010 Lau et al. D8/70
D665,645 S * 8/2012 McRoberts et al. D8/70
D692,741 S * 11/2013 McRoberts et al. D8/70
8,695,725 B2 * 4/2014 Lau et al. 173/170

* cited by examiner

Primary Examiner — Philip S Hyder

Assistant Examiner — Darlington Ly

(74) *Attorney, Agent, or Firm* — Marsh Fischmann &
Breyfogle LLP

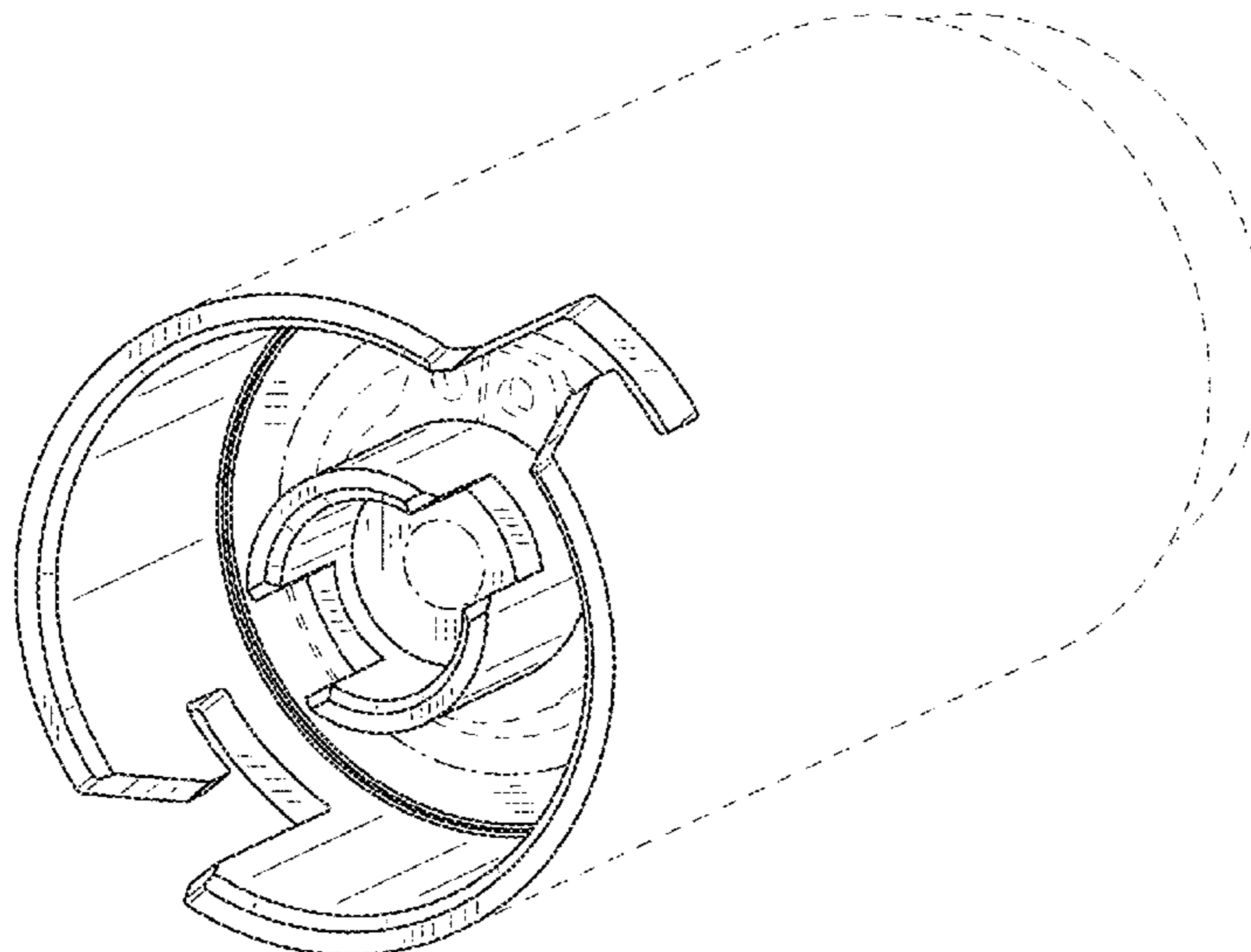
(57) **CLAIM**

The ornamental design for a removable chuck, as shown and
described.

DESCRIPTION

FIG. 1 is a front perspective view of a removable chuck;
FIG. 2 is a front view of the removable of FIG. 1;
FIG. 3 is a rear view of the removable chuck of FIG. 1;
FIG. 4 is a right side view of the removable chuck of FIG. 1;
FIG. 5 is a left side view of the removable chuck of FIG. 1;
FIG. 6 is a top view of the removable chuck of FIG. 1; and,
FIG. 7 is a bottom view of the removable chuck of FIG. 1.
The broken line showing in dash-dot form is provided for the
purpose of indicating the boundaries of the claimed design.
All the broken lines shown in the drawings illustrate portions
of the removable chuck that forms no part of the claimed
design.

1 Claim, 5 Drawing Sheets



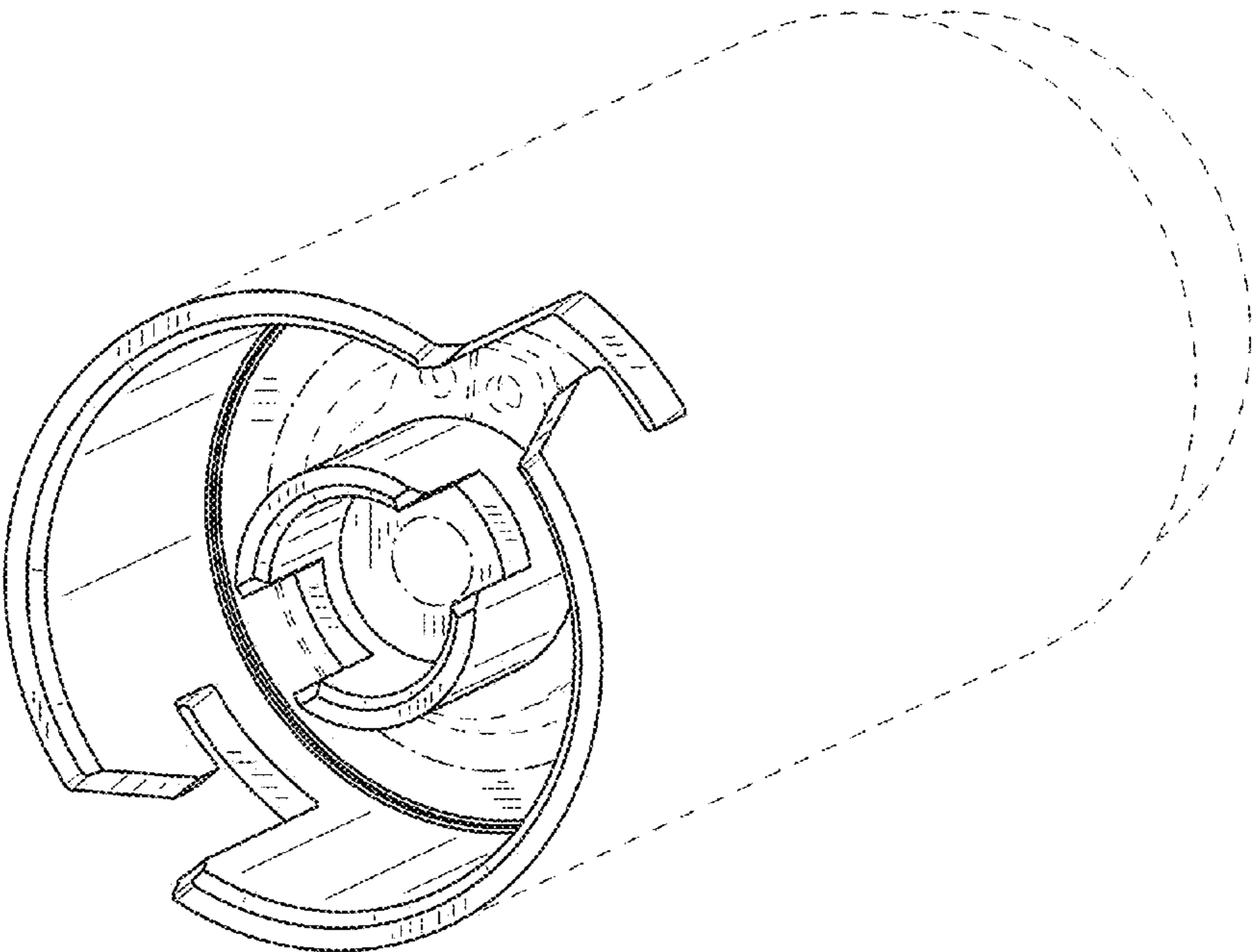


FIG.1

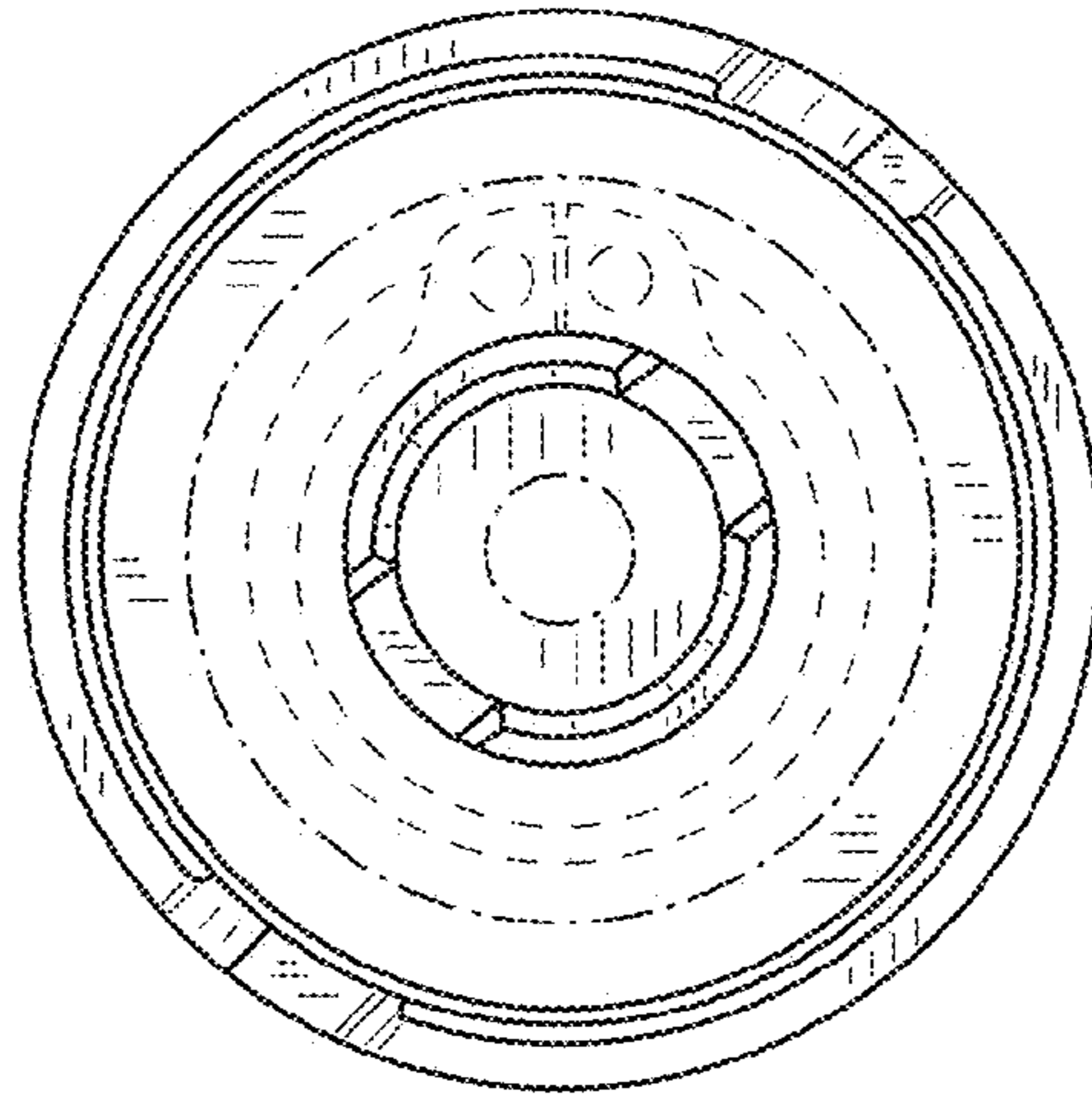


FIG. 2

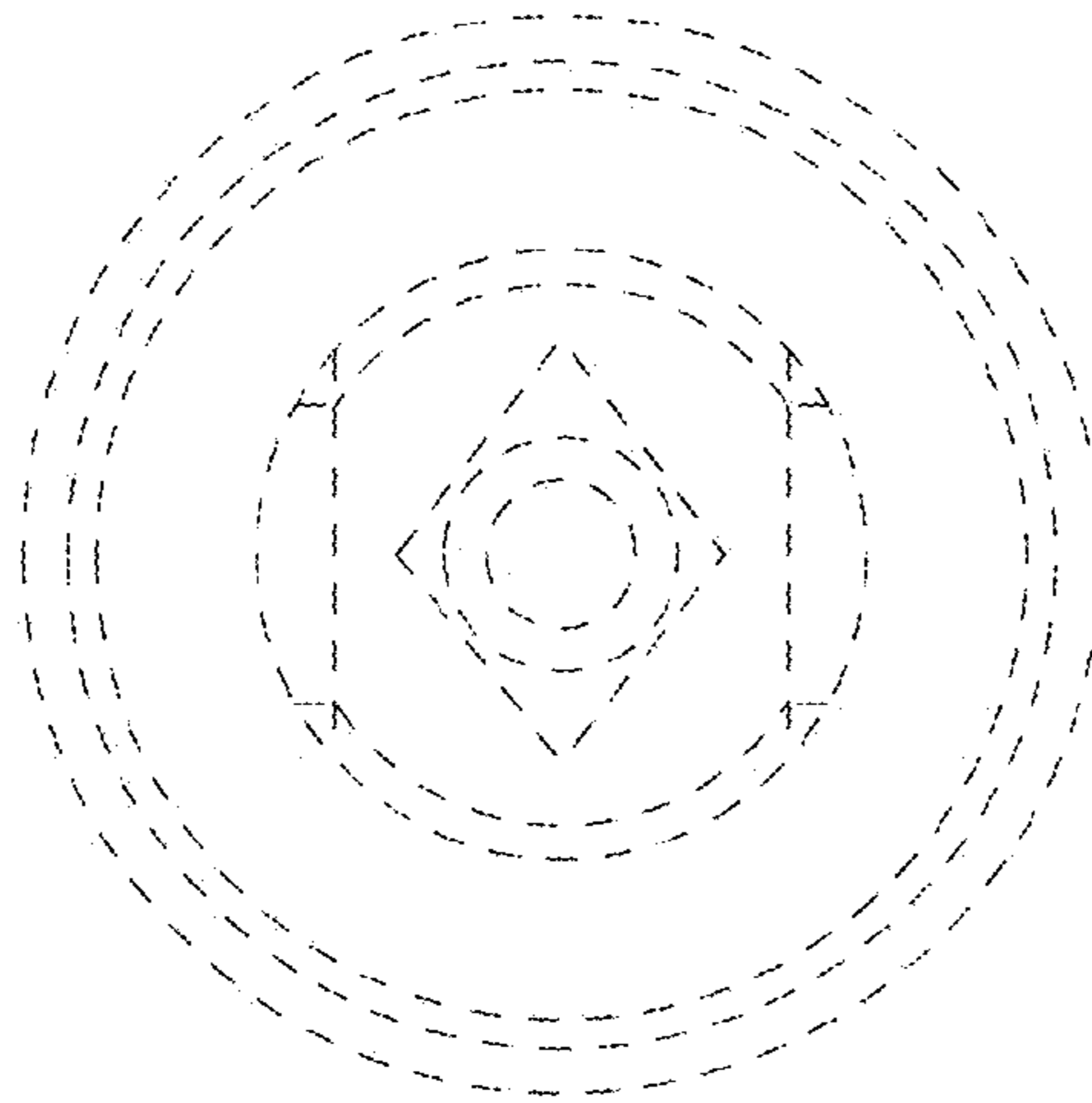


FIG. 3



FIG. 4



FIG. 5



FIG. 6



FIG.7