



US00D732363S

(12) **United States Design Patent**
Finnäs

(10) **Patent No.:** **US D732,363 S**
(45) **Date of Patent:** **** Jun. 23, 2015**

(54) **ANGLE GRINDER**

(75) Inventor: **Stig Finnäs, Sundby (FI)**

(73) Assignee: **KWH MIRKA LTD, Jeppo (FI)**

(**) Term: **14 Years**

(21) Appl. No.: **29/407,119**

(22) Filed: **Nov. 23, 2011**

(30) **Foreign Application Priority Data**

May 25, 2011 (EM) 001868340-0001
May 25, 2011 (EM) 001868340-0002

(51) **LOC (10) Cl.** **08-01**

(52) **U.S. Cl.**
USPC **D8/62**

(58) **Field of Classification Search**
USPC D32/15, 17, 19; D8/67, 62, 61; D4/102;
451/456, 451, 359, 358, 357, 356, 355,
451/354, 353, 351, 344; 310/50; 173/170
See application file for complete search history.

(56) **References Cited**

U.S. PATENT DOCUMENTS

D558,016 S * 12/2007 Aglassinger et al. D8/62
D567,610 S * 4/2008 Wright D8/62
D576,461 S * 9/2008 Bast D8/62
D581,759 S * 12/2008 Aglassinger D8/62
D593,826 S * 6/2009 Aglassinger D8/62

D609,070 S * 2/2010 Tinius D8/62
7,699,687 B2 * 4/2010 Nordstrom 451/359
D637,055 S * 5/2011 Schomisch D8/62
D637,056 S * 5/2011 Schomisch D8/62
D637,057 S * 5/2011 Schomisch D8/62
D685,240 S * 7/2013 Waldron D8/62
D685,241 S * 7/2013 Waldron D8/62
D686,478 S * 7/2013 Waldron D8/62

* cited by examiner

Primary Examiner — Austin Murphy

(74) *Attorney, Agent, or Firm* — Nath, Goldberg & Meyer;
Jerald L. Meyer; Tiffany A. Johnson

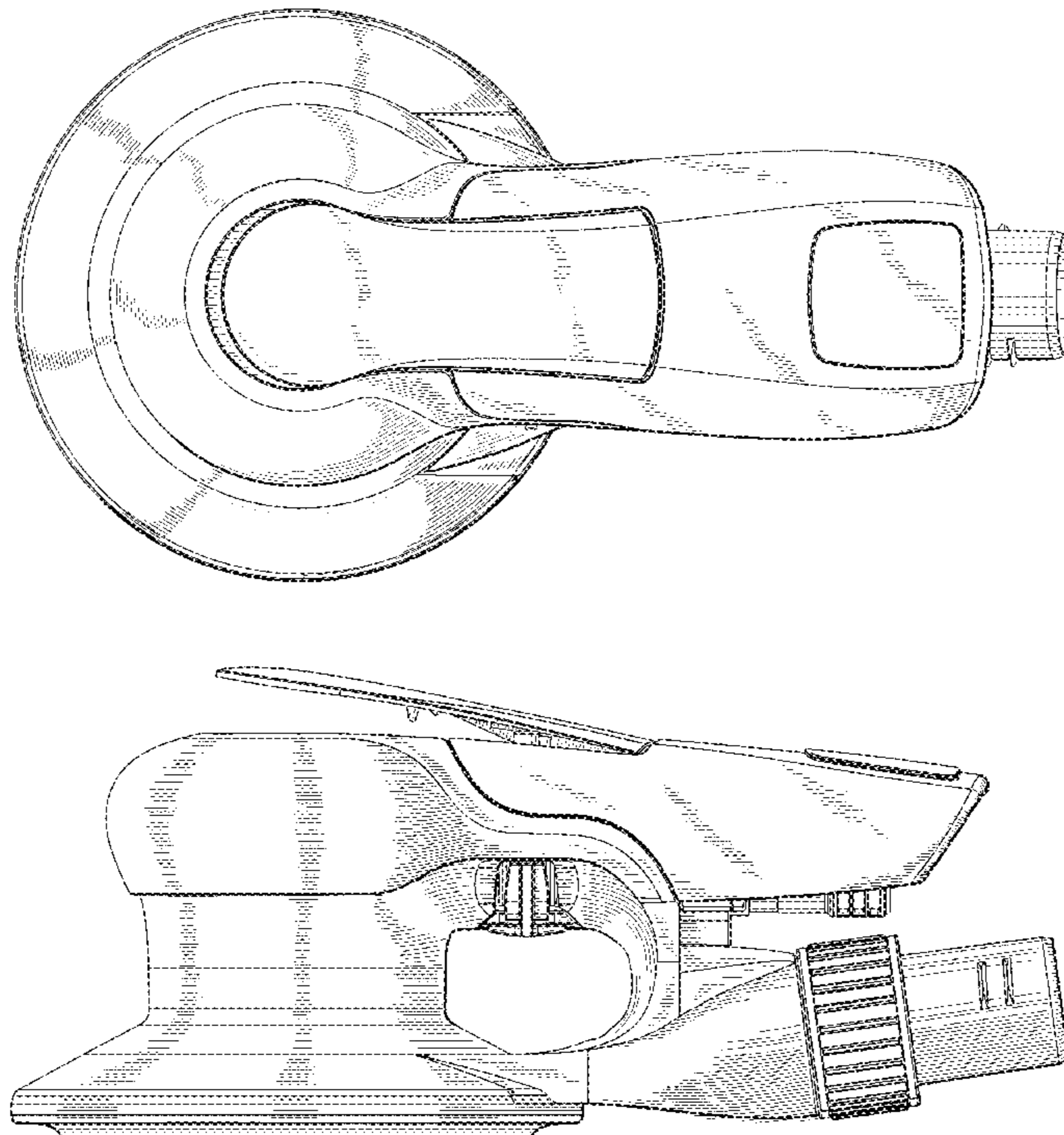
(57) **CLAIM**

The ornamental design for an angle grinder, as shown and described.

DESCRIPTION

FIG. 1 is a top planar view for a first design of an angle grinder;
FIG. 2 is a right side elevational view of the design for an angle grinder as seen in FIG. 1;
FIG. 3 is a bottom planar view of the design for an angle grinder as seen in FIG. 1;
FIG. 4 is a rear elevational view of the design for an angle grinder as seen in FIG. 1;
FIG. 5 is front elevational view of the design for an angle grinder as seen in FIG. 1; and,
FIG. 6 is top right side perspective view of the design for an angle grinder as seen in FIG. 1.

1 Claim, 6 Drawing Sheets



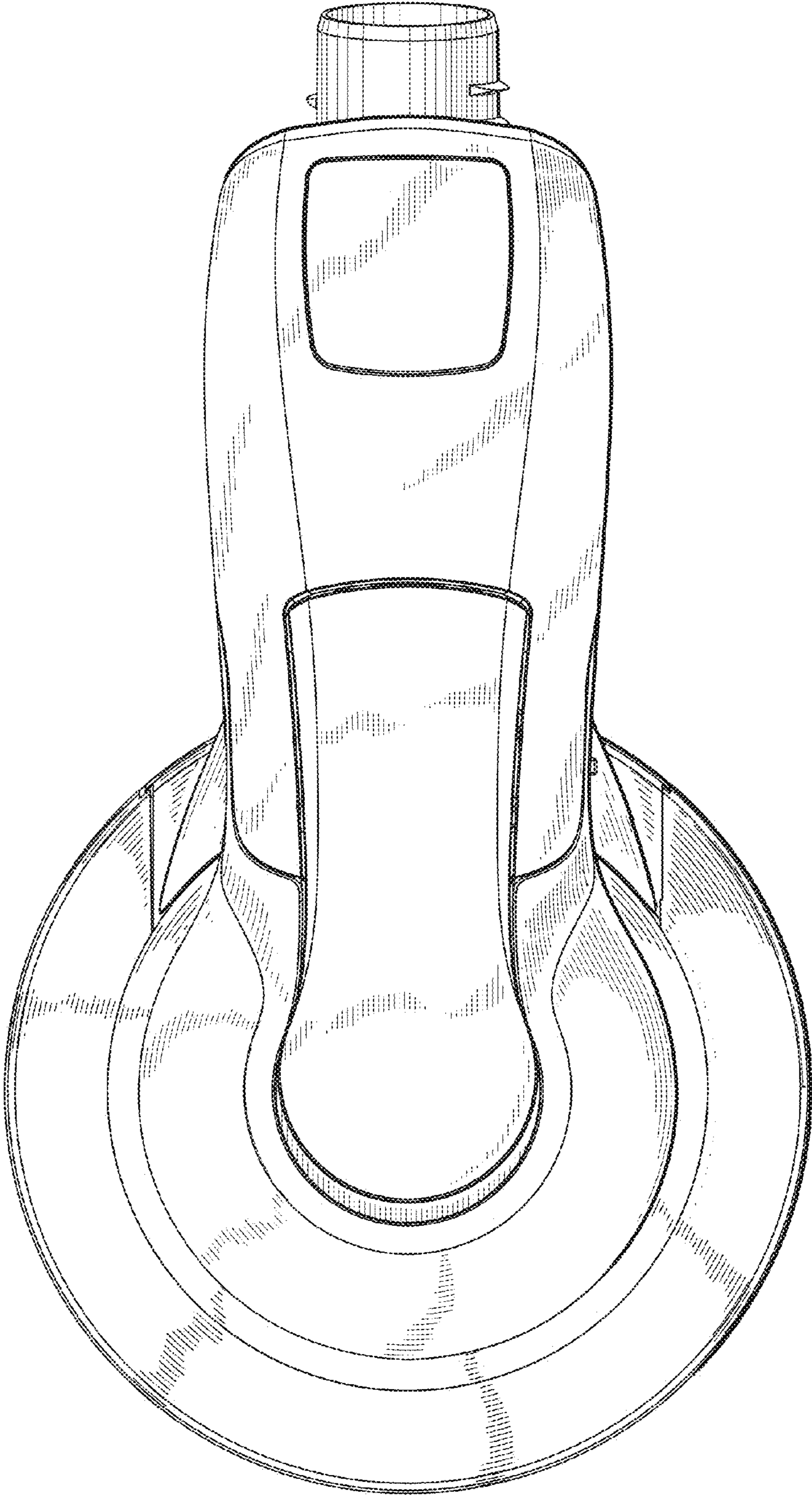


FIG. 1

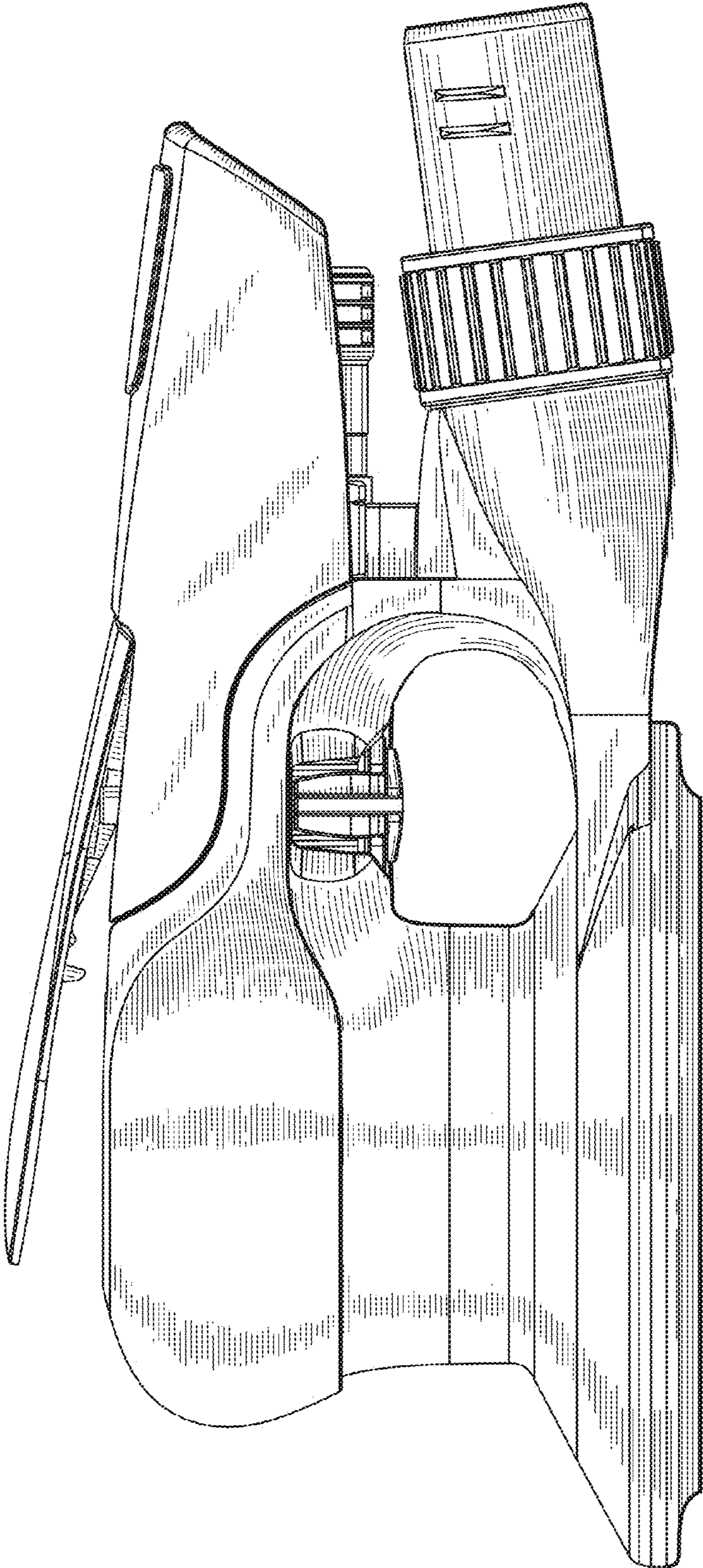


FIG. 2

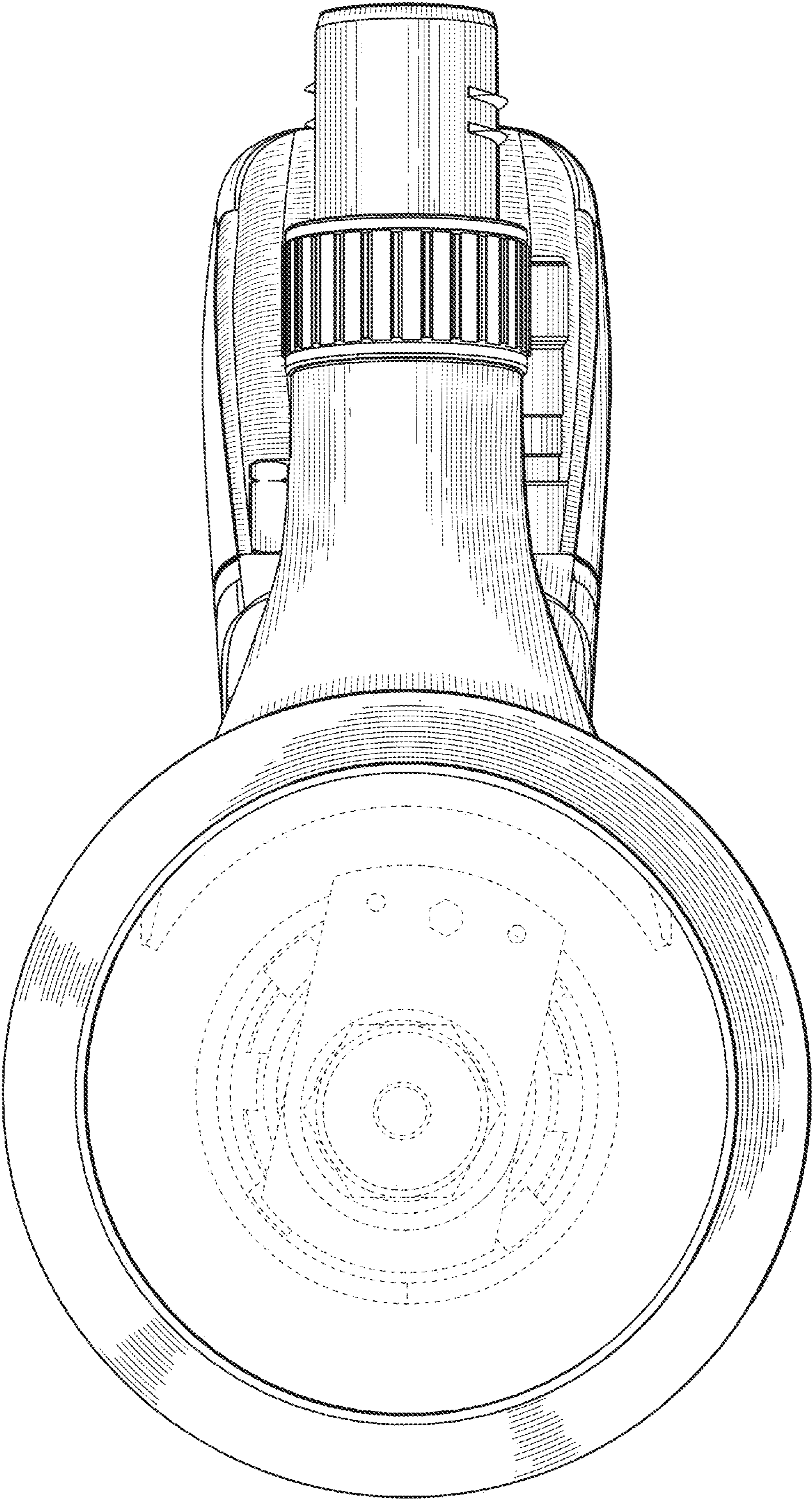


FIG. 3

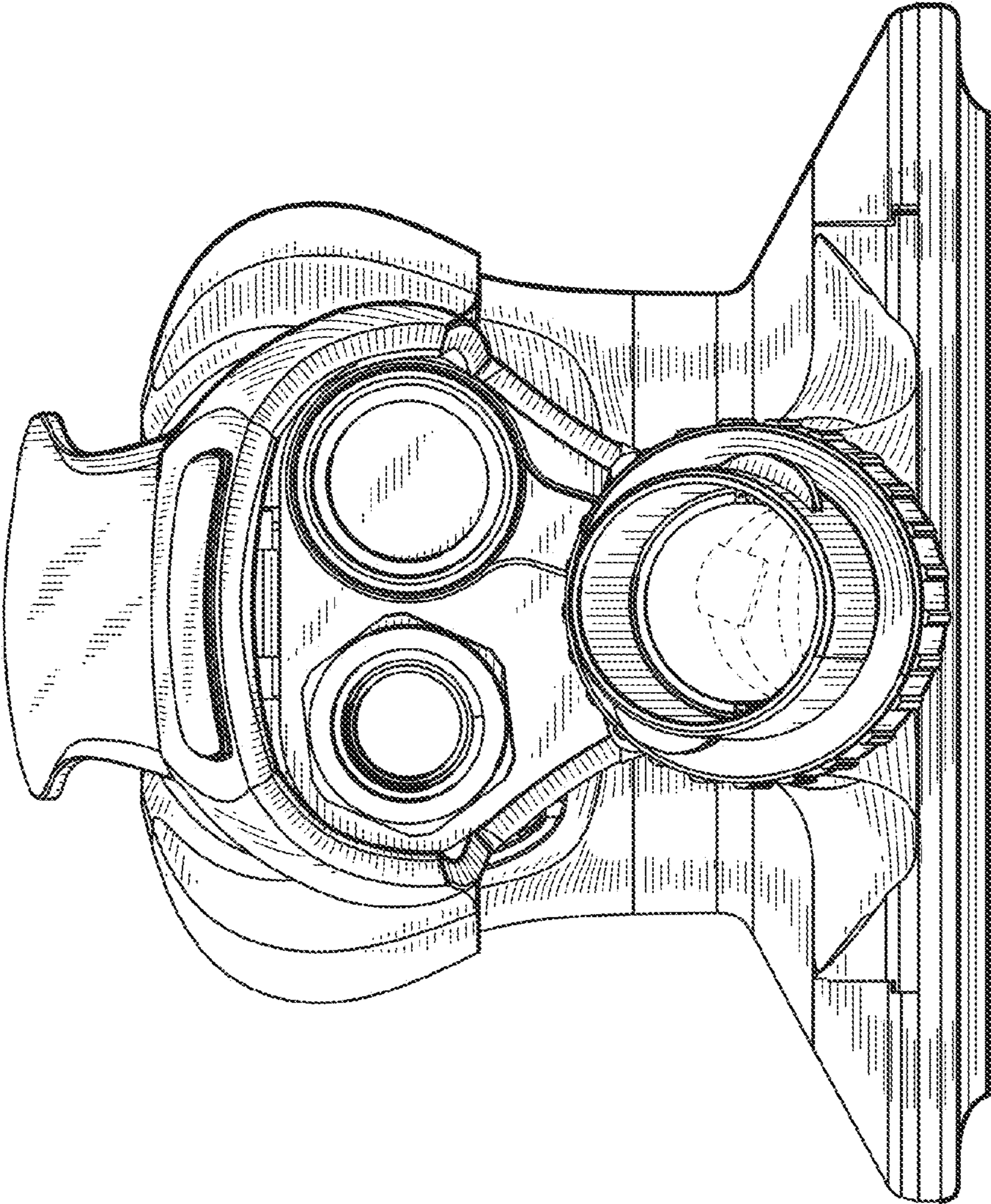


FIG. 4

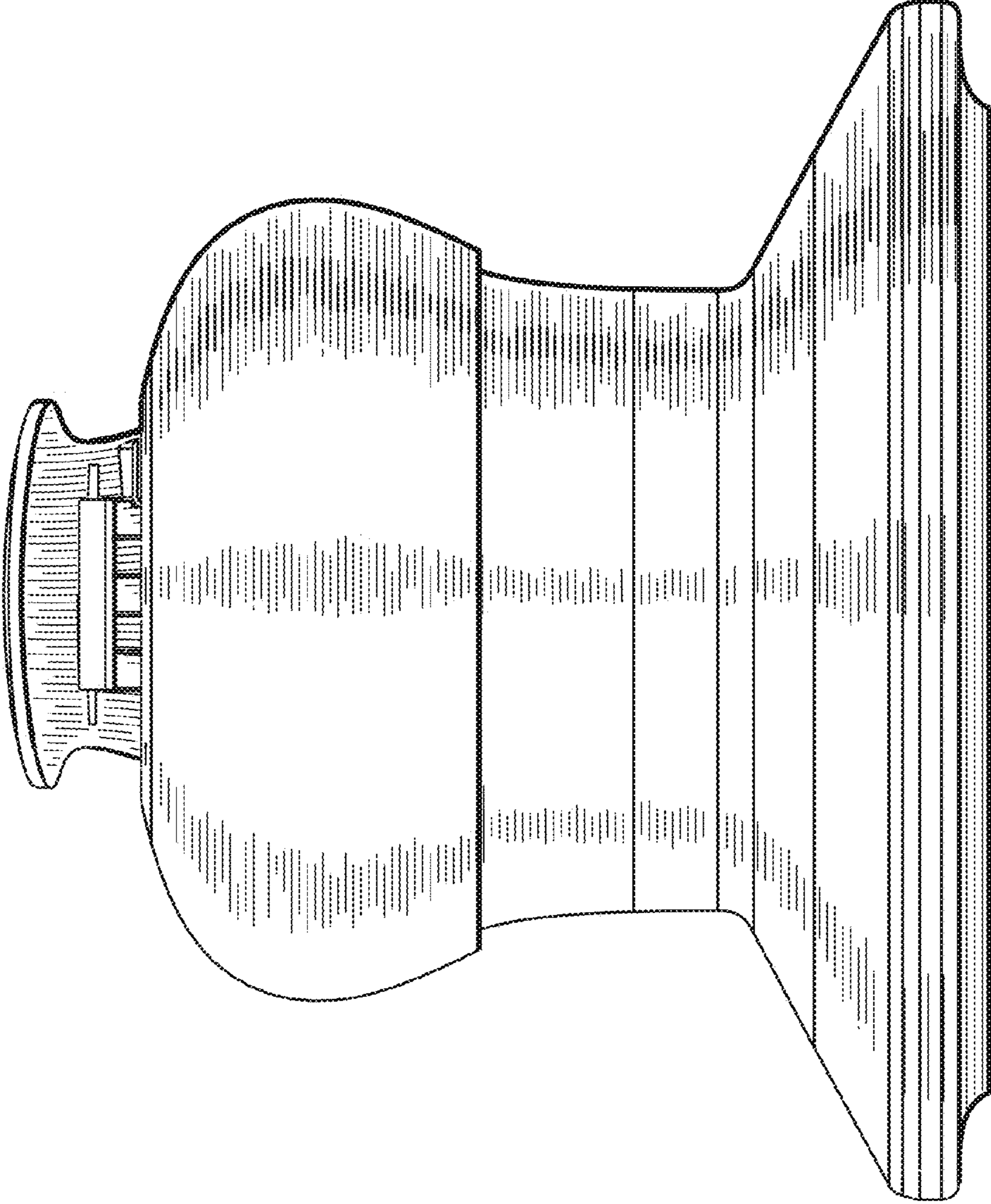


FIG. 5

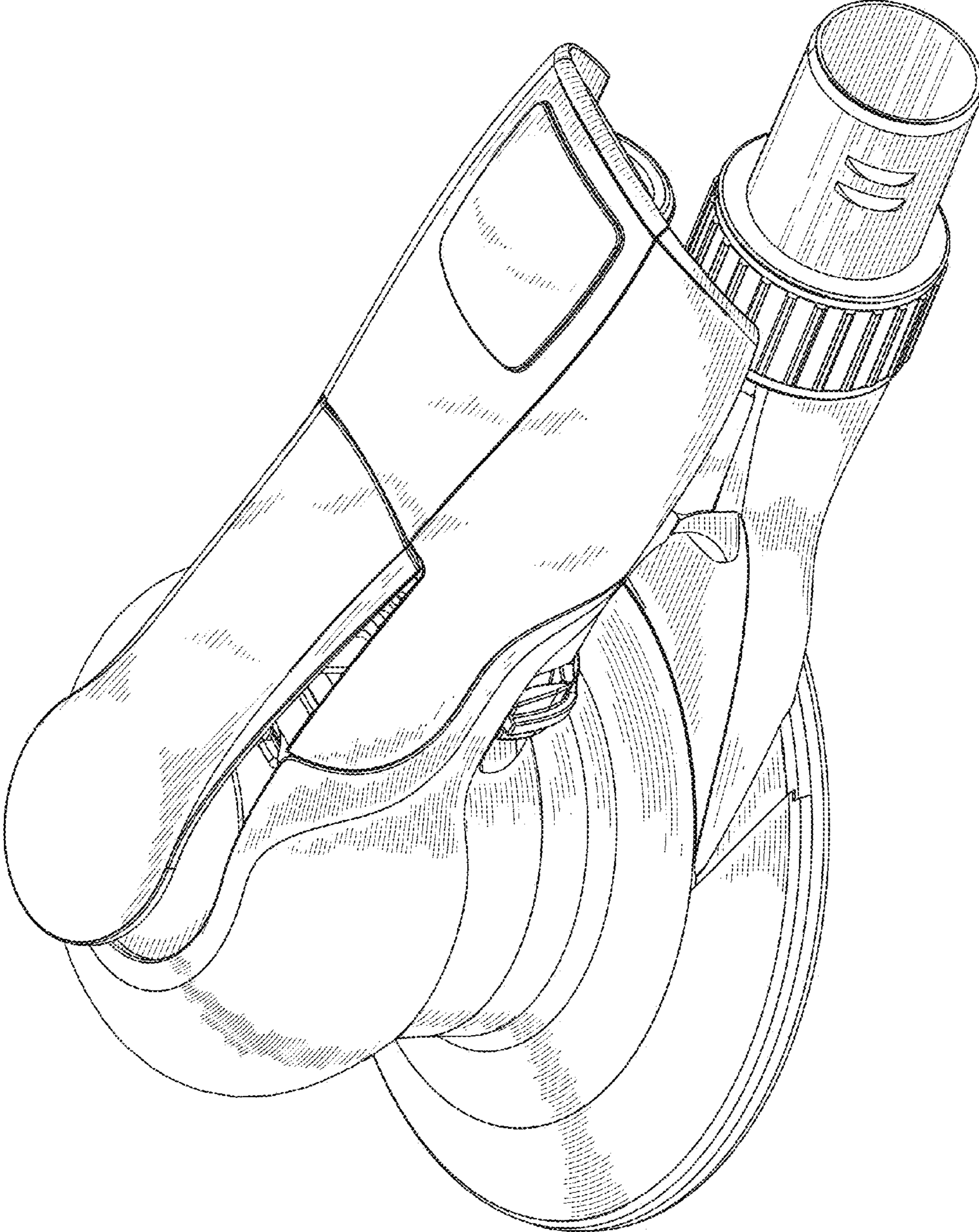


FIG. 6