



US00D732362S

(12) **United States Design Patent**
Nagaki

(10) **Patent No.:** **US D732,362 S**

(45) **Date of Patent:** **** Jun. 23, 2015**

(54) **HOT STICK RING GRIP**

(71) Applicant: **Yasuharu Nagaki**, Osaka (JP)

(72) Inventor: **Yasuharu Nagaki**, Osaka (JP)

(**) Term: **14 Years**

(21) Appl. No.: **29/480,112**

(22) Filed: **Jan. 23, 2014**

(51) **LOC (10) Cl.** **08-05**

(52) **U.S. Cl.**
USPC **D8/52**

(58) **Field of Classification Search**
USPC D3/207; D7/387, 213; D8/18, 52, 70,
D8/80, 94; D9/434, 438, 445, 447, 448,
D9/455, 456; D15/138, 199; D23/226;
D24/108, 112, 127, 145; 74/490.01,
74/490.02, 490.03, 490.05; 219/124.34,
219/639; 222/320, 391; 220/268, 269, 915;
294/30, 99.1, 902; 318/560, 568.13;
606/1, 130, 180; 700/99, 150
CPC F16G 11/02; F16G 11/04
See application file for complete search history.

(56) **References Cited**

U.S. PATENT DOCUMENTS

1,942,625 A * 1/1934 Whalan et al. 24/132 R
2,985,933 A * 5/1961 Peterson et al. 24/132 R
3,075,166 A * 1/1963 Peek 439/479

3,262,171 A * 7/1966 Scholz 24/134 R
D633,783 S * 3/2011 Iwama D8/395
D633,784 S * 3/2011 Iwama D8/395
D637,634 S * 5/2011 Chen D15/138
D637,635 S * 5/2011 Chen D15/138
D645,888 S * 9/2011 Chen et al. D15/138
8,540,215 B2 * 9/2013 Iwama 254/134.3 R
8,720,013 B2 * 5/2014 Chen 24/132 R
8,720,014 B2 * 5/2014 Chen 24/132 WL
2012/0000037 A1 * 1/2012 Chen et al. 24/134 N
2012/0005864 A1 * 1/2012 Chen 24/132 WL

* cited by examiner

Primary Examiner — Ian Simmons

Assistant Examiner — Harold Blackwell, II

(74) *Attorney, Agent, or Firm* — Clement Cheng

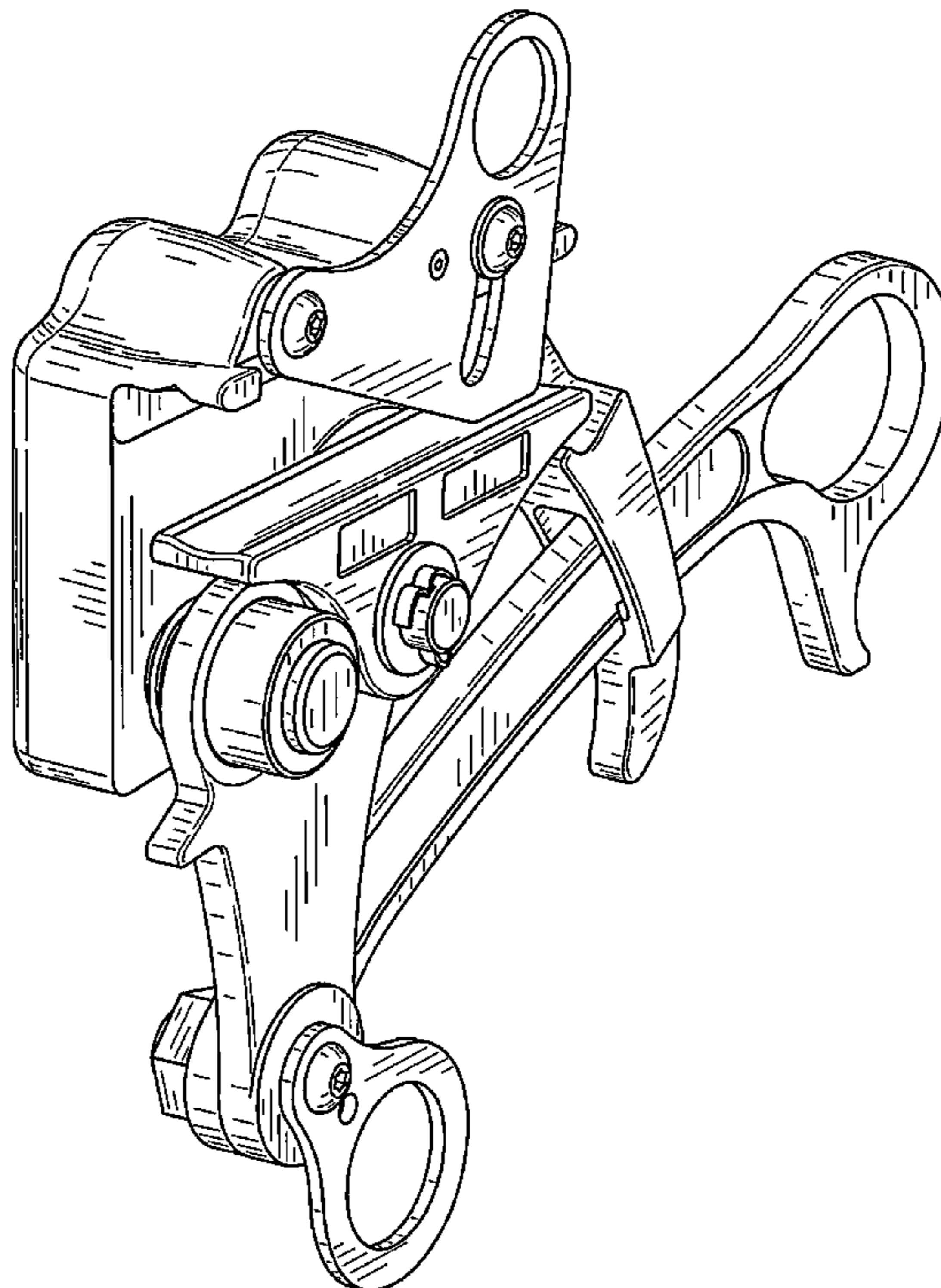
(57) **CLAIM**

The ornamental design for a hot stick ring grip, as shown and described.

DESCRIPTION

FIG. 1 is a rear perspective view.
FIG. 2 is a rear view.
FIG. 3 is a front view.
FIG. 4 is a left side view.
FIG. 5 is a right side view.
FIG. 6 is a top view; and,
FIG. 7 is a bottom view.

1 Claim, 5 Drawing Sheets



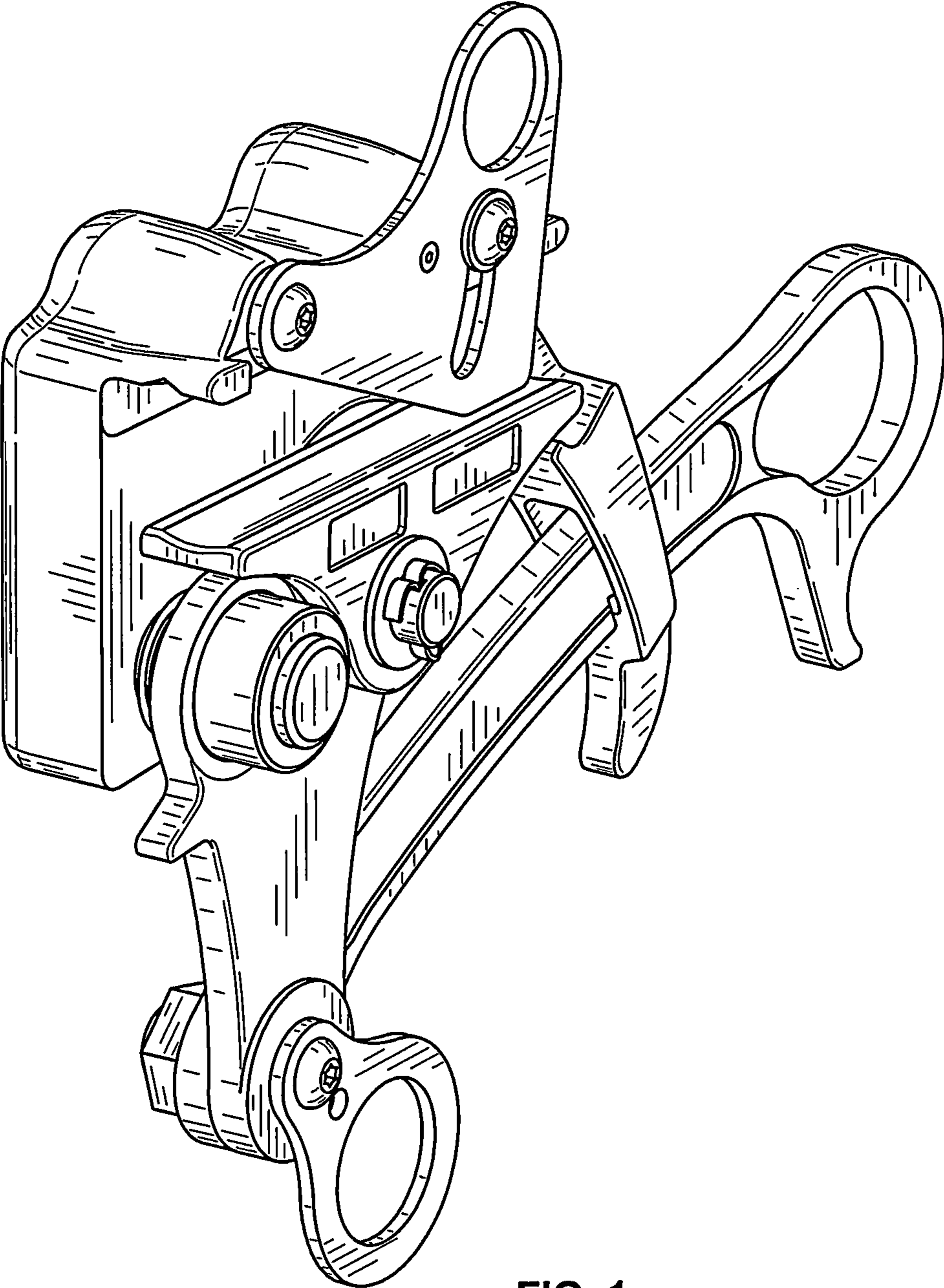


FIG. 1

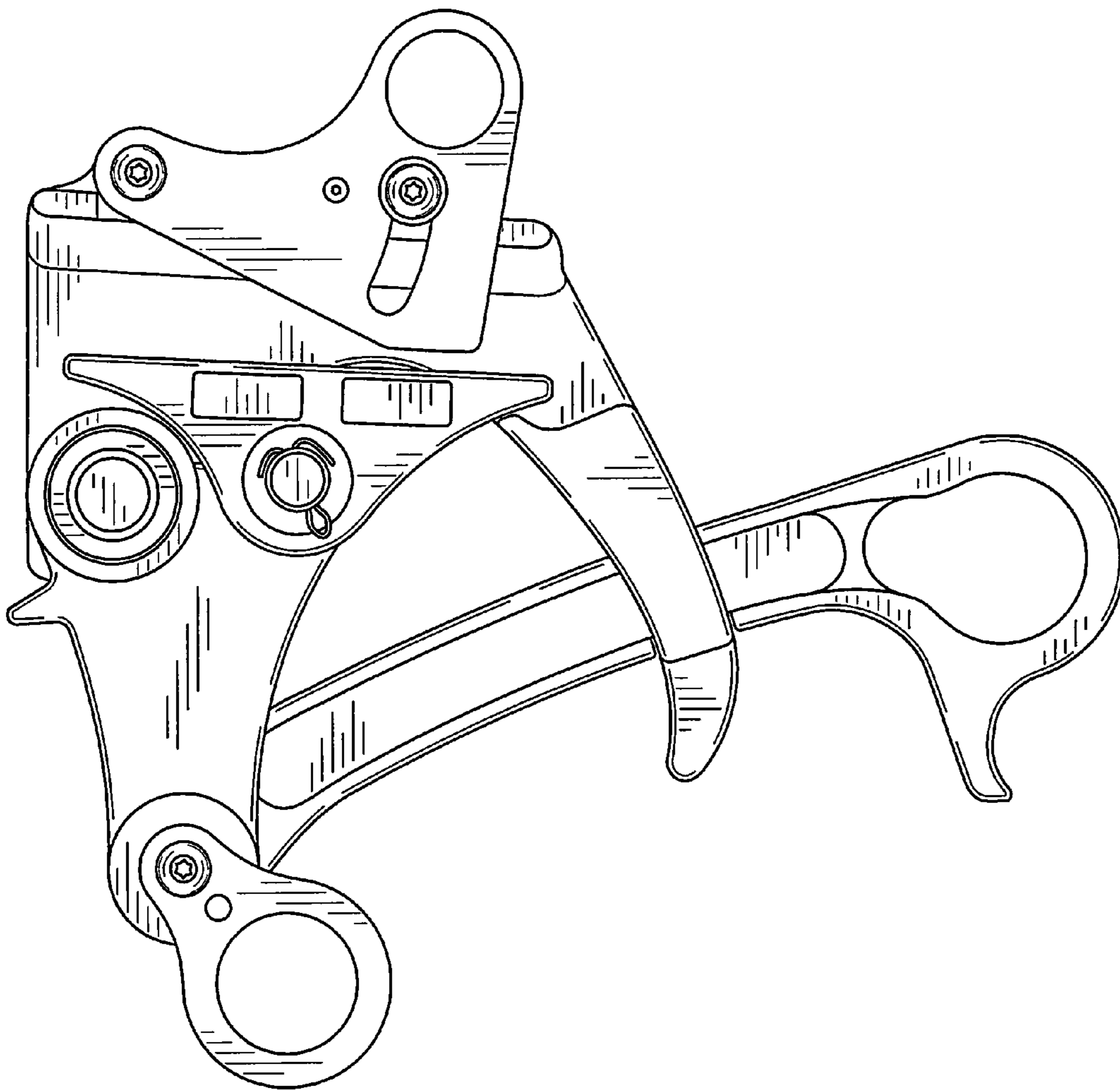


FIG. 2

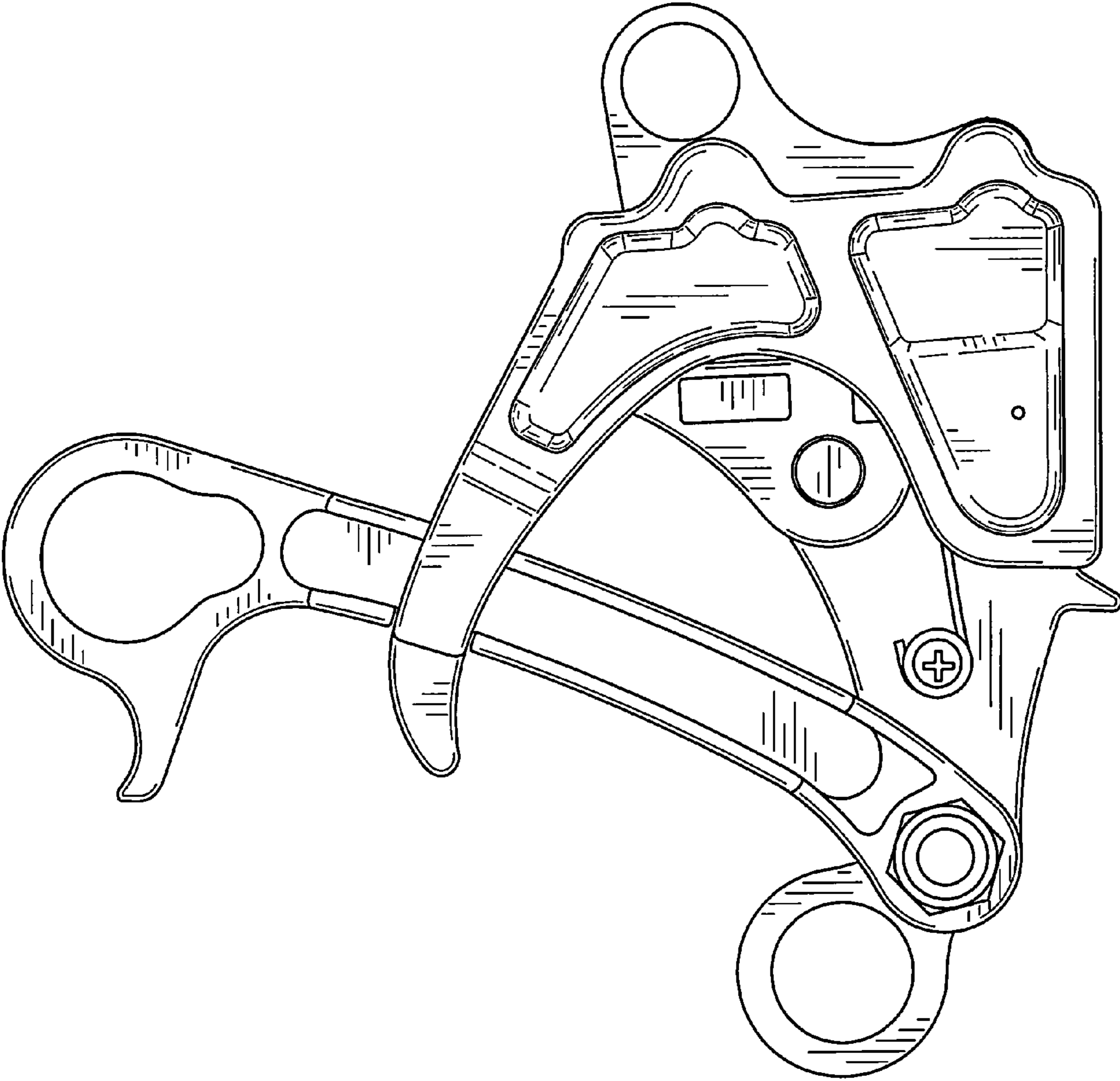


FIG. 3

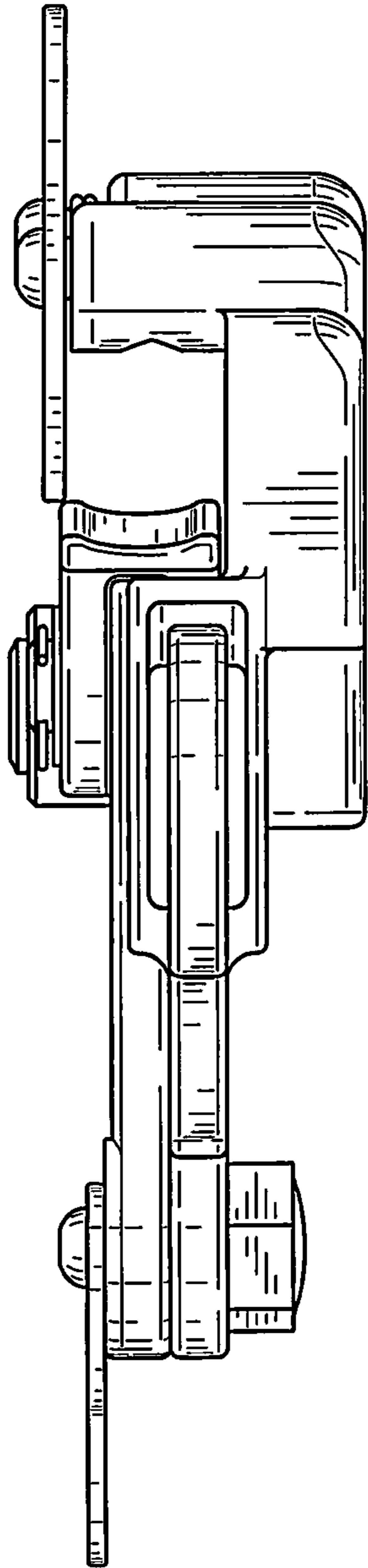


FIG. 4

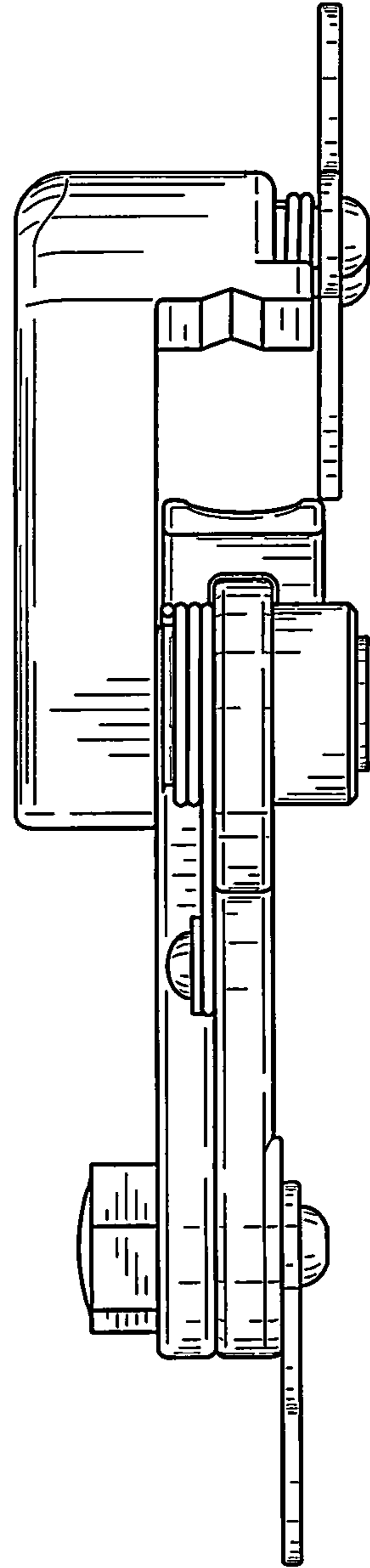


FIG. 5

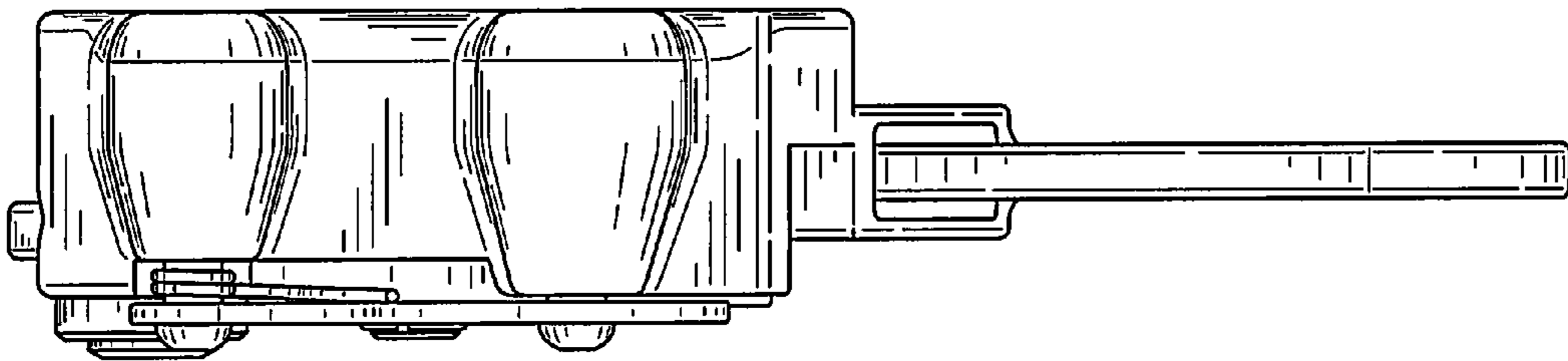


FIG. 6

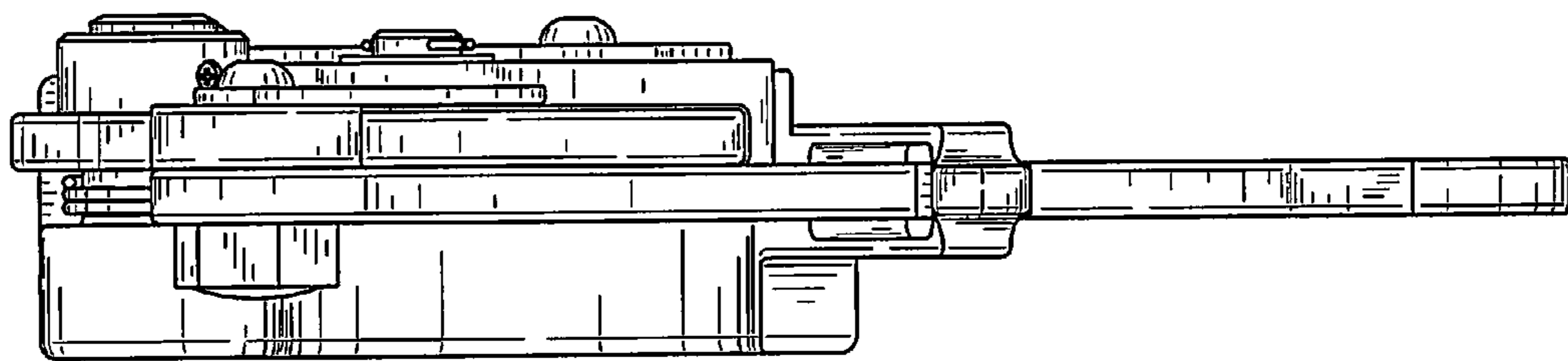


FIG. 7