



US00D732360S

(12) **United States Design Patent**
Reeder

(10) **Patent No.:** **US D732,360 S**
(45) **Date of Patent:** **** Jun. 23, 2015**

- (54) **GAUGE**
- (71) Applicant: **Steven L. Reeder**, Salisbury, NC (US)
- (72) Inventor: **Steven L. Reeder**, Salisbury, NC (US)
- (73) Assignee: **Custom Glass Products of Carolina, Inc. of Salisbury NC** (US)
- (**) Term: **14 Years**
- (21) Appl. No.: **29/446,465**
- (22) Filed: **Feb. 24, 2013**
- (51) **LOC (10) Cl.** **08-05**
- (52) **U.S. Cl.**
USPC **D8/19; D10/64**
- (58) **Field of Classification Search**
USPC D8/14, 16, 19, 310, 349, 354, 400, 17,
D8/18; 52/204.5, 204.6, 456; D14/436;
D19/9, 10, 39, 40; 33/562, 563,
33/565-567, 567.1; D10/64, 106.9;
D20/22, 27
CPC .. G06Q 20/382; B42D 25/00; G07C 9/00119;
H01L 2924/0002; H01L 23/49855; G09F
3/0288
See application file for complete search history.

(56) **References Cited**

U.S. PATENT DOCUMENTS

D345,512 S *	3/1994	Gaenzle	D10/64
5,312,700 A *	5/1994	Ishida	429/481
D394,675 S *	5/1998	Haas et al.	D20/27
D467,247 S *	12/2002	Pentz	D14/436
D487,222 S *	3/2004	Balaban	D8/354
D493,492 S *	7/2004	Best et al.	D20/27
D519,016 S *	4/2006	Nudo	D8/71
D534,904 S *	1/2007	Crawford	D14/238
D562,416 S *	2/2008	Fedriga et al.	D21/694
D565,385 S *	4/2008	Jou	D8/307

D572,160 S *	7/2008	Cherneff et al.	D10/106.9
D604,359 S *	11/2009	Santos	D19/9
D627,826 S *	11/2010	Halimi	D20/27
D637,897 S *	5/2011	Tedesco et al.	D8/394
D645,794 S *	9/2011	Noble et al.	D12/159
D654,064 S *	2/2012	Sergi	D14/238
D684,438 S *	6/2013	Joseph	D7/698
D691,455 S *	10/2013	Weathersby et al.	D8/310
D697,770 S *	1/2014	Khuu	D7/698
2011/0169208 A1 *	7/2011	Almeda et al.	269/289 R
2013/0283712 A1 *	10/2013	Reeder et al.	52/204.593

* cited by examiner

Primary Examiner — George D Kirschbaum

Assistant Examiner — Jennifer Watkins

(74) *Attorney, Agent, or Firm* — Maxwell & Anderson LLC;
Luke Anderson

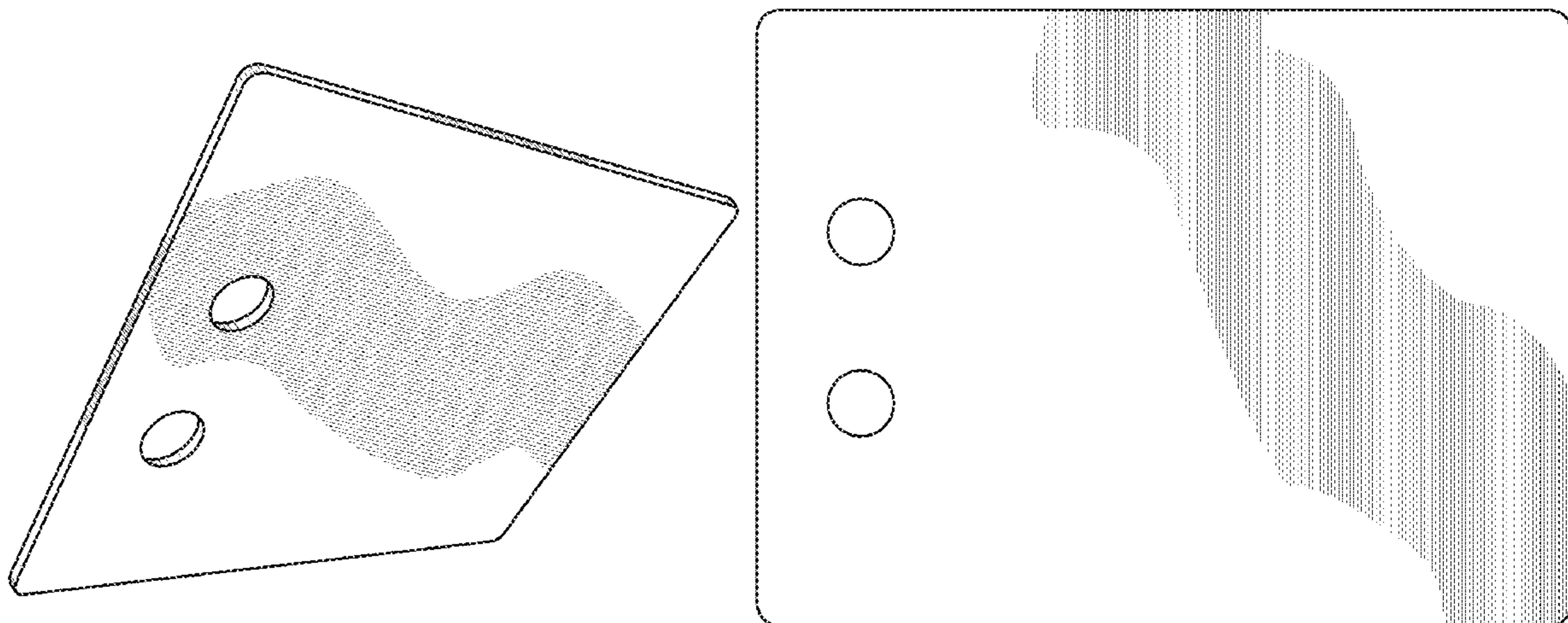
(57) **CLAIM**

The ornamental design for a gauge, as shown and described.

DESCRIPTION

FIG. 1 is an isometric view of the front side of a gauge of the new decorative design;
 FIG. 2 is an isometric view of the back side of the new gauge design shown in FIG. 1;
 FIG. 3 is a front plan view of the new gauge design shown in FIG. 1;
 FIG. 4 is a right side elevational view of the new gauge design shown in FIG. 1;
 FIG. 5 is a back plan view of the new gauge design shown in FIG. 1;
 FIG. 6 is a left side elevational view of the new gauge design shown in FIG. 1;
 FIG. 7 is a top side elevational view of the new gauge design shown in FIG. 1; and,
 FIG. 8 is a bottom side elevational view of the new gauge design shown in FIG. 1.

1 Claim, 4 Drawing Sheets



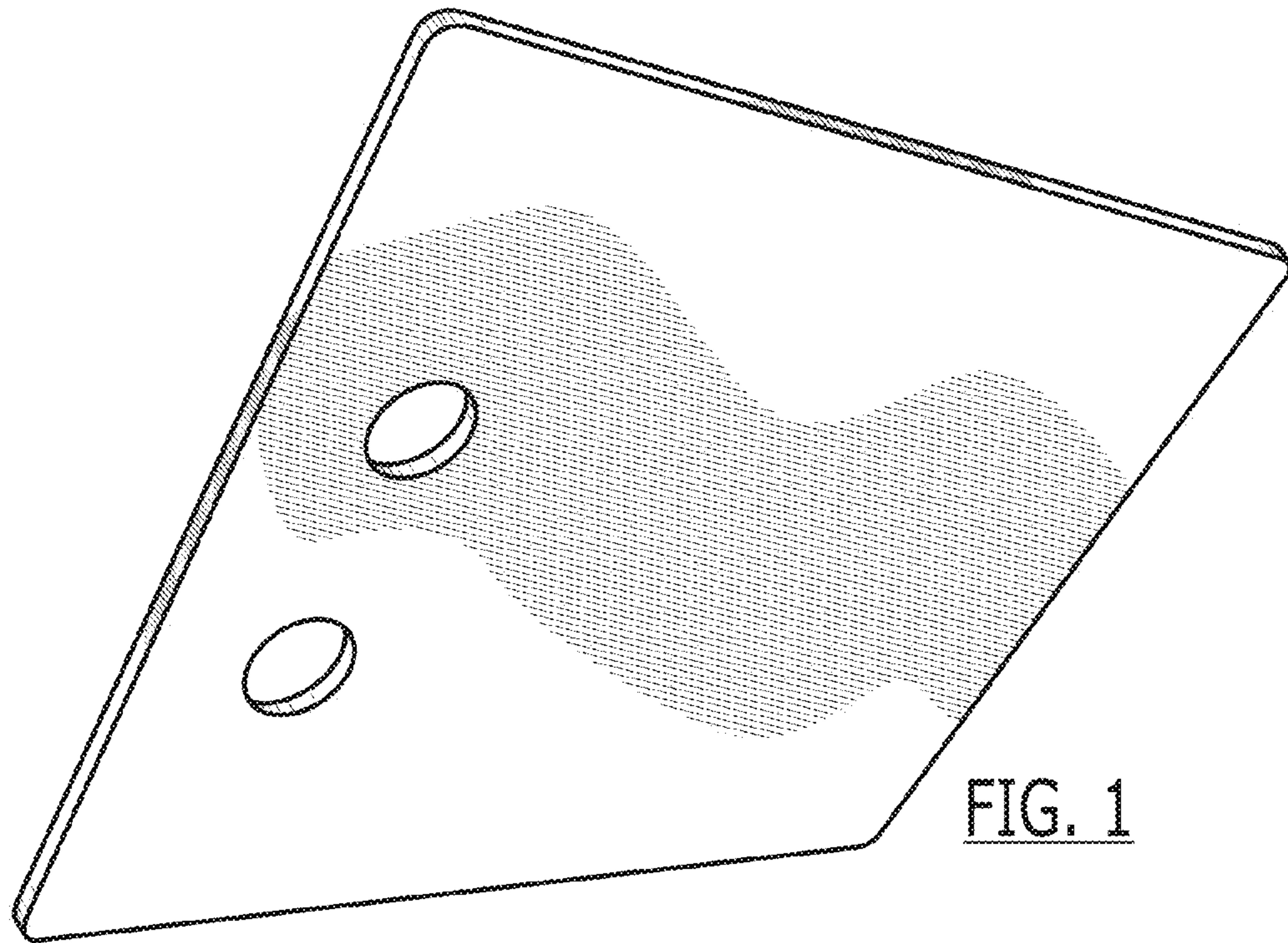


FIG. 1

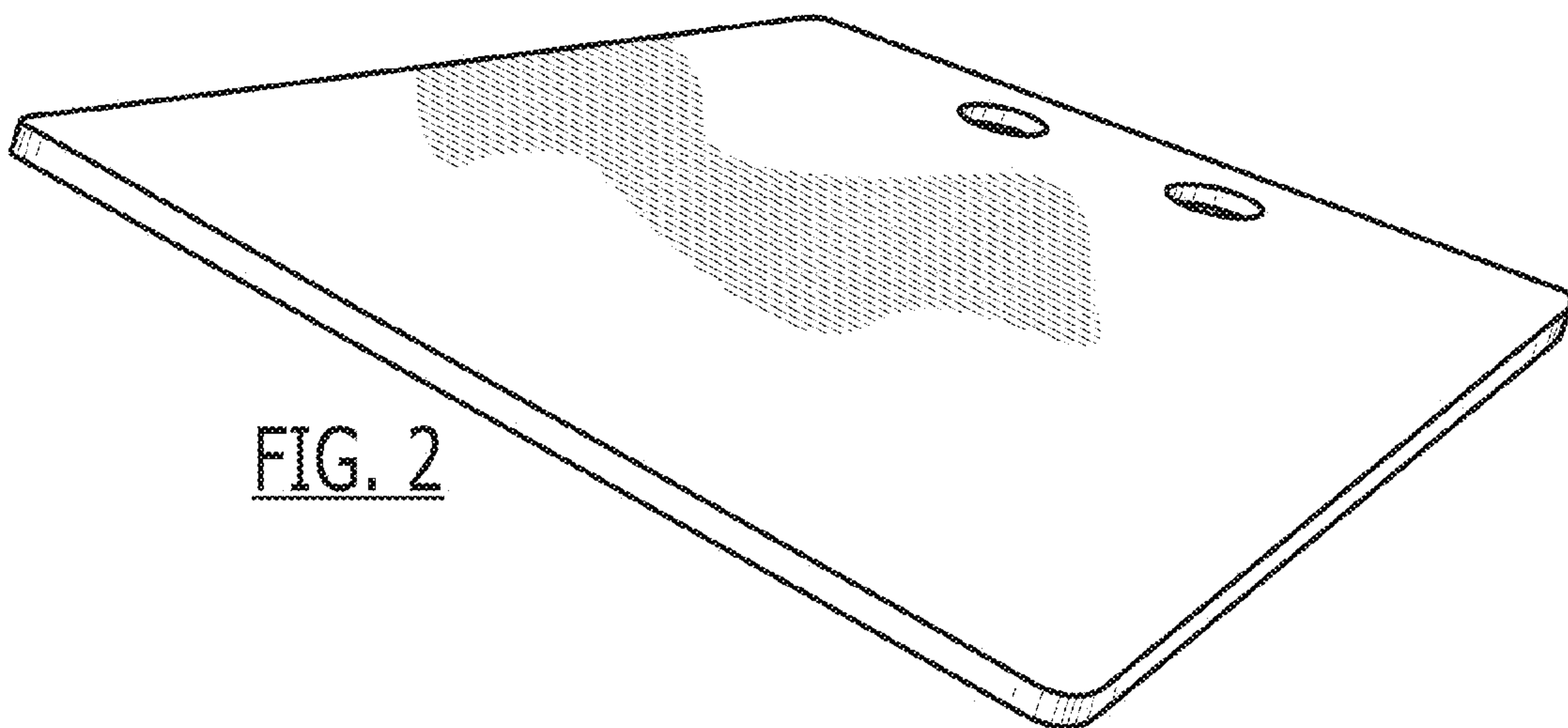


FIG. 2

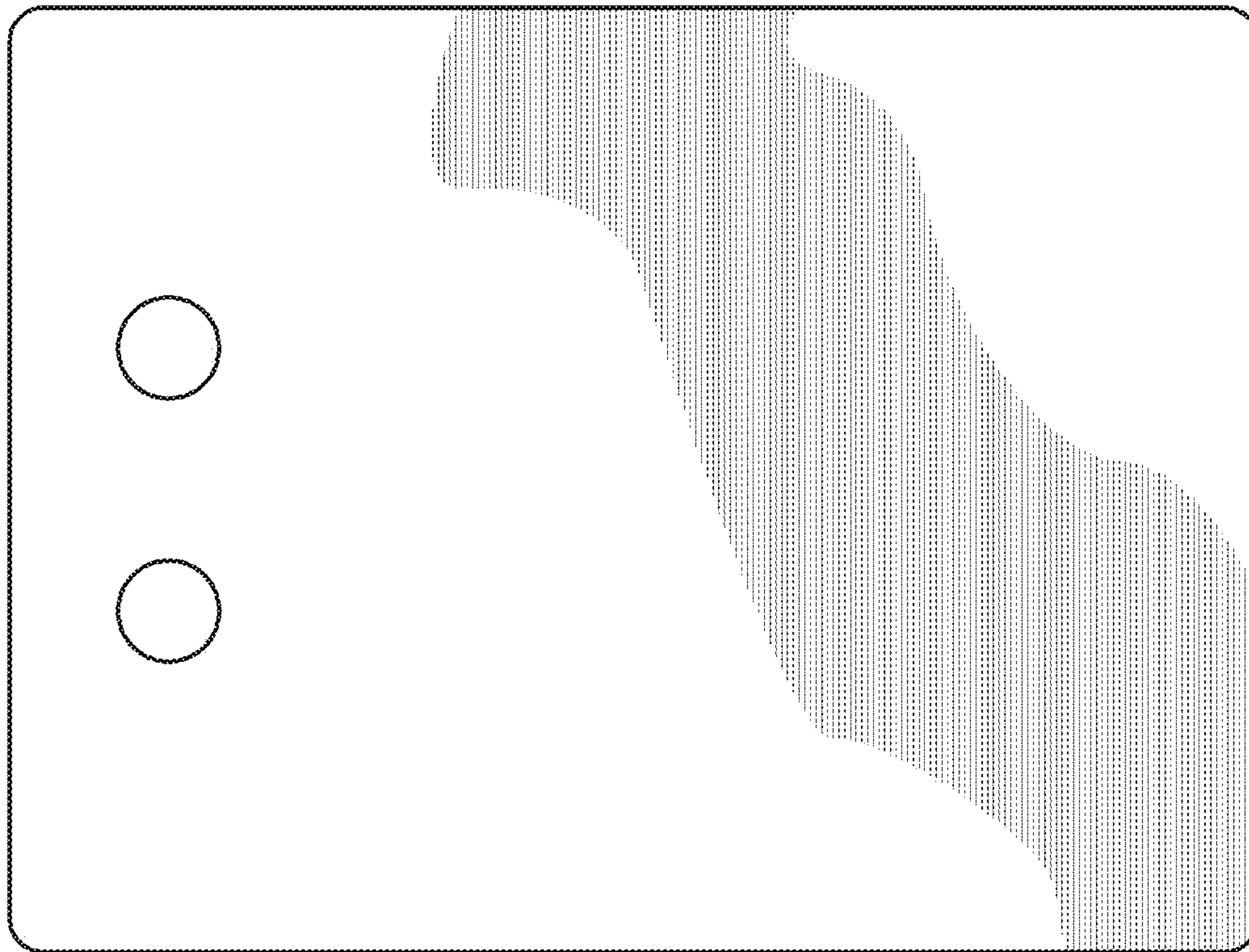


FIG. 3



FIG. 4

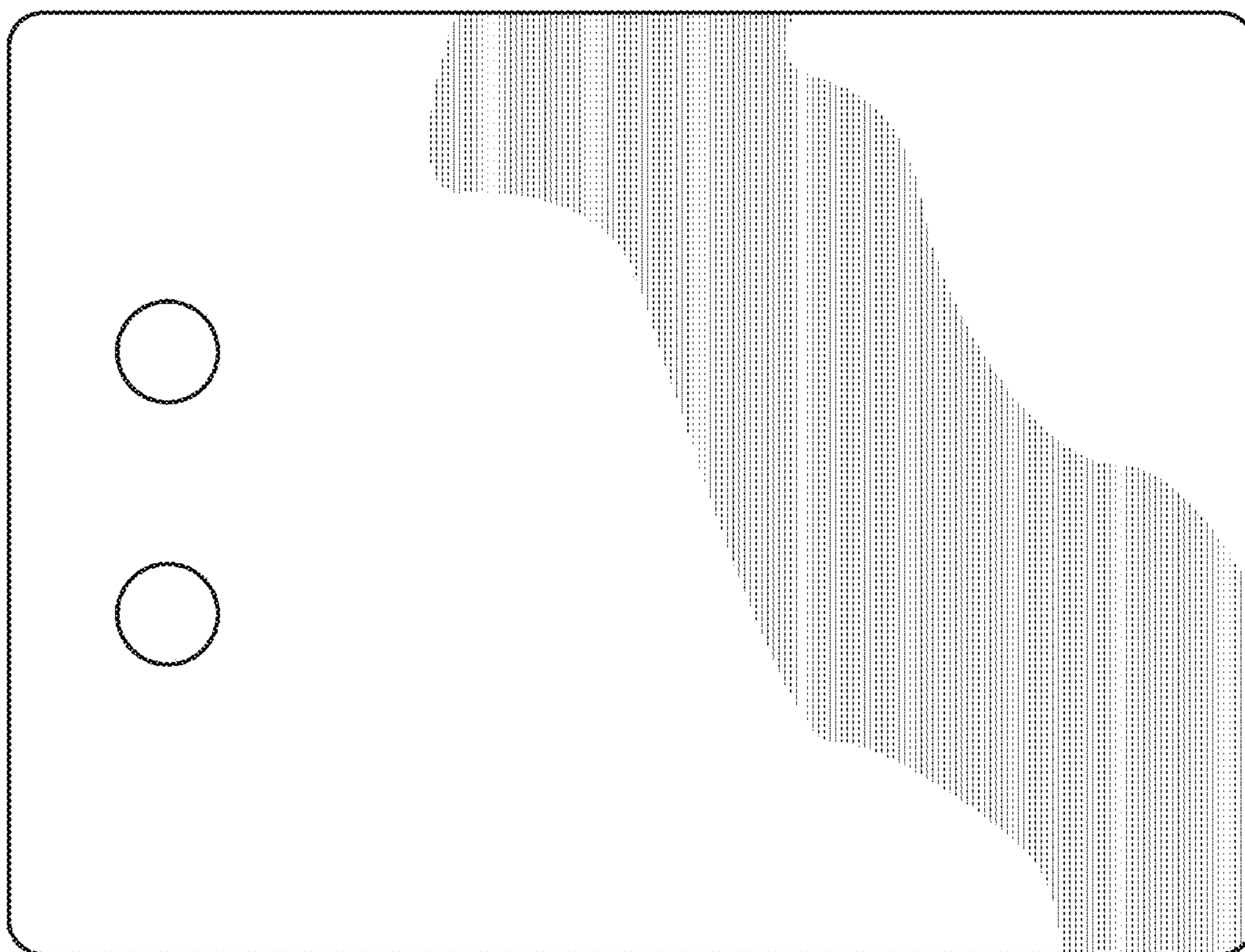


FIG. 5



FIG. 6



FIG. 7



FIG. 8