

US00D732358S

(12) **United States Design Patent**
Tinius

(10) **Patent No.:** **US D732,358 S**
(45) **Date of Patent:** **** Jun. 23, 2015**

(54) **BATTERY POWERED HEDGE TRIMMER**

(71) Applicant: **Andreas Stihl AG & Co. KG**,
Waiblingen (DE)

(72) Inventor: **Michael Tinius**, Ulm (DE)

(73) Assignee: **Andreas Stihl AG & Co. KG**,
Waiblingen (DE)

(**) Term: **14 Years**

(21) Appl. No.: **29/443,233**

(22) Filed: **Jan. 15, 2013**

(30) **Foreign Application Priority Data**

Aug. 2, 2012 (EP) 002082818-0004

(51) **LOC (10) Cl.** **08-01**

(52) **U.S. Cl.**
USPC **D8/9**

(58) **Field of Classification Search**

USPC D8/8, 9; 30/208, 276, 228, 382-383,
30/216; 56/12.7, 233, 234, 235-237
See application file for complete search history.

(56) **References Cited**

U.S. PATENT DOCUMENTS

4,197,640 A	4/1980	Murray	
4,534,005 A	8/1985	Nagashima et al.	
4,630,372 A	12/1986	Nagashima	
4,654,970 A	4/1987	Nagashima	
4,662,071 A	5/1987	Hoppner et al.	
H378 H	12/1987	Matsumoto	
4,819,332 A	4/1989	Sugihara et al.	
4,932,126 A *	6/1990	Pilatowicz et al.	30/216
5,070,618 A	12/1991	Edlund	
5,261,162 A *	11/1993	Siegler	30/216
D351,096 S	10/1994	Gierke	
D356,013 S *	3/1995	Kiyooka et al.	D8/8
D361,251 S	8/1995	Griffin	

D364,326 S	11/1995	Lohse et al.	
5,485,814 A	1/1996	Tuggle et al.	
D372,407 S	8/1996	Haneda et al.	
5,570,512 A	11/1996	Hoppner	
D377,441 S	1/1997	Hoppner et al.	
D378,184 S	2/1997	Naslund et al.	
D386,958 S	12/1997	Karlsson et al.	
D412,652 S	8/1999	Durr et al.	
5,992,025 A	11/1999	Fricke	
6,016,604 A	1/2000	Wolf et al.	
D427,862 S *	7/2000	Yamane et al.	D8/8
6,295,953 B1	10/2001	Ohsawa et al.	
D457,925 S	5/2002	Grafton	
D460,667 S	7/2002	Waldron	
D462,882 S	9/2002	Evans	
D463,228 S	9/2002	Cooper	

(Continued)

Primary Examiner — Sheryl Lane

(74) *Attorney, Agent, or Firm* — McGuireWoods LLP

(57) **CLAIM**

I claim the ornamental design for a battery powered hedge trimmer, as shown and described.

DESCRIPTION

FIG. 1 is a right perspective view of the battery powered hedge trimmer;

FIG. 2 is a front view of the battery powered hedge trimmer shown in FIG. 1;

FIG. 3 is a rear view of the battery powered hedge trimmer shown in FIG. 1;

FIG. 4 is a left view of the battery powered hedge trimmer shown in FIG. 1;

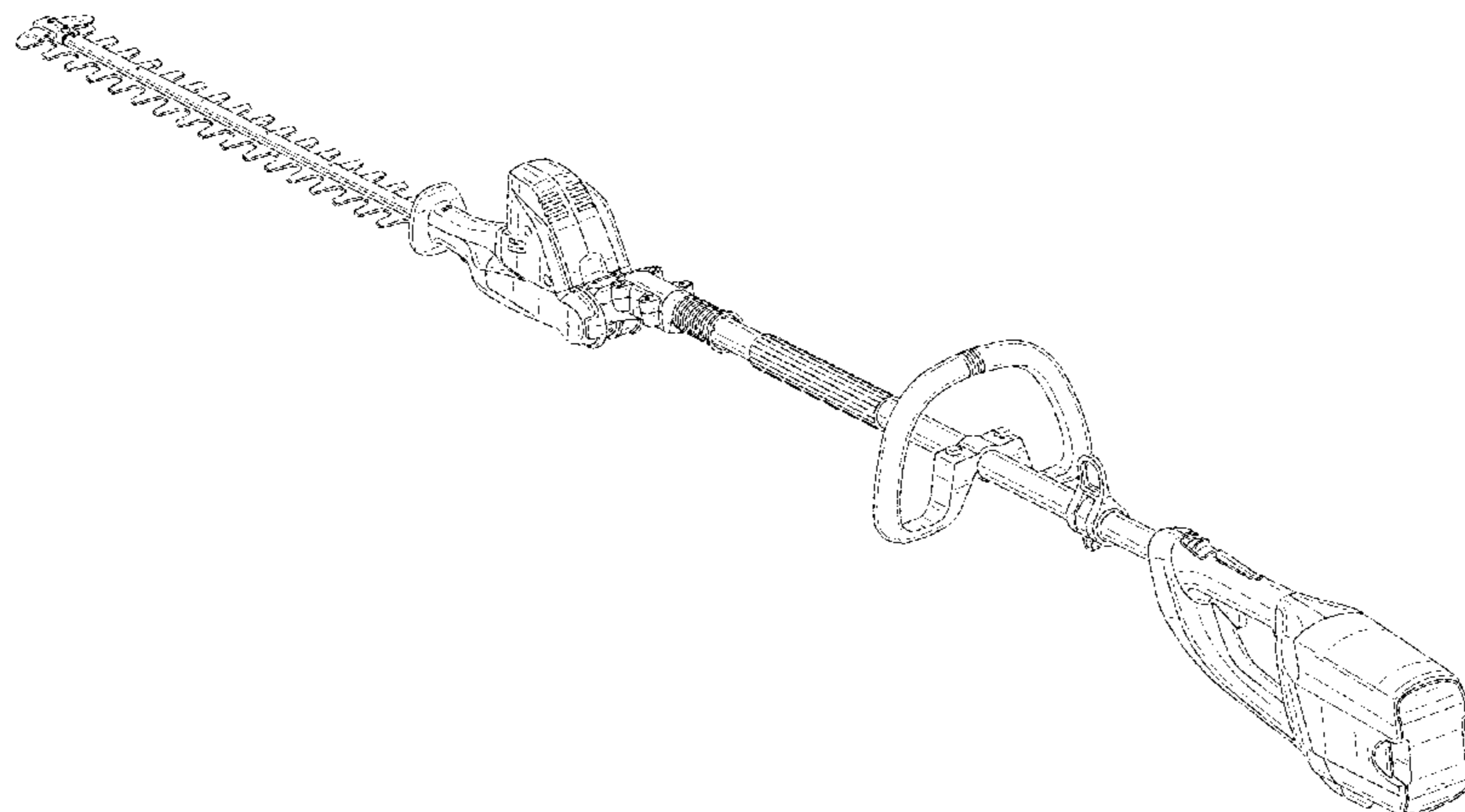
FIG. 5 is a right view of the battery powered hedge trimmer shown in FIG. 1;

FIG. 6 is a top view of the battery powered hedge trimmer shown in FIG. 1; and,

FIG. 7 is a bottom view of the battery powered hedge trimmer shown in FIG. 1.

The broken lines represent portions of the article and form no part of the claimed design.

1 Claim, 4 Drawing Sheets



(56)

References Cited

U.S. PATENT DOCUMENTS

D463,229 S	9/2002	Gabriel	D580,240 S	11/2008	Murray
D468,600 S	1/2003	Evans	D582,225 S	12/2008	Bochmann
D473,116 S	4/2003	Jong	D582,736 S *	12/2008	Ghirardi D8/9
6,637,117 B2	10/2003	Kobayashi	D596,000 S *	7/2009	Klingbeil D8/8
6,735,873 B2 *	5/2004	Langhans et al. 30/216	D606,829 S	12/2009	Tinius
D505,602 S	5/2005	Houghton	D623,487 S	9/2010	Tinius
D505,844 S	6/2005	Houghton	D624,371 S	9/2010	Tinius
D506,653 S *	6/2005	Elsworthy D8/8	7,992,308 B1 *	8/2011	Fisher 30/216
6,973,726 B2	12/2005	Kramer	D670,144 S	11/2012	Tinius
D522,818 S	6/2006	Andriolo	2002/0124837 A1	9/2002	Maier et al.
7,168,132 B2	1/2007	Durr et al.	2002/0129502 A1	9/2002	Durr et al.
D543,805 S	6/2007	Houghton	2003/0051351 A1	3/2003	Buchholtz et al.
D560,983 S	2/2008	Tinius	2003/0183187 A1	10/2003	Menzel et al.
D563,747 S	3/2008	Tinius	2004/0103857 A1	6/2004	Kruse
D580,238 S	11/2008	Murray	2005/0050867 A1	3/2005	Taomo et al.
D580,239 S	11/2008	Murray	2006/0112683 A1	6/2006	Huber
			2007/0101581 A1	5/2007	Carls
			2007/0180705 A1	8/2007	Chiu

* cited by examiner

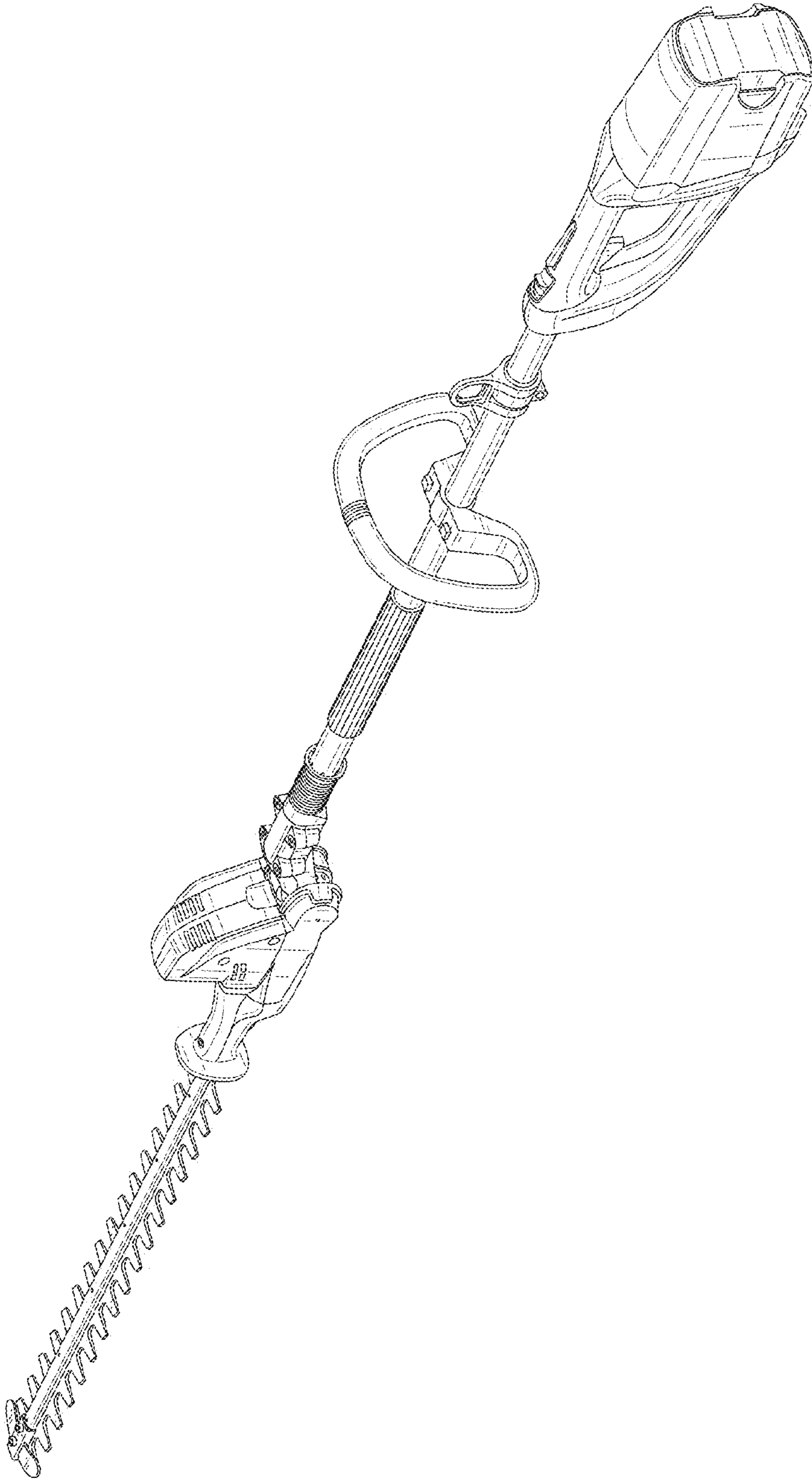


FIG. 1

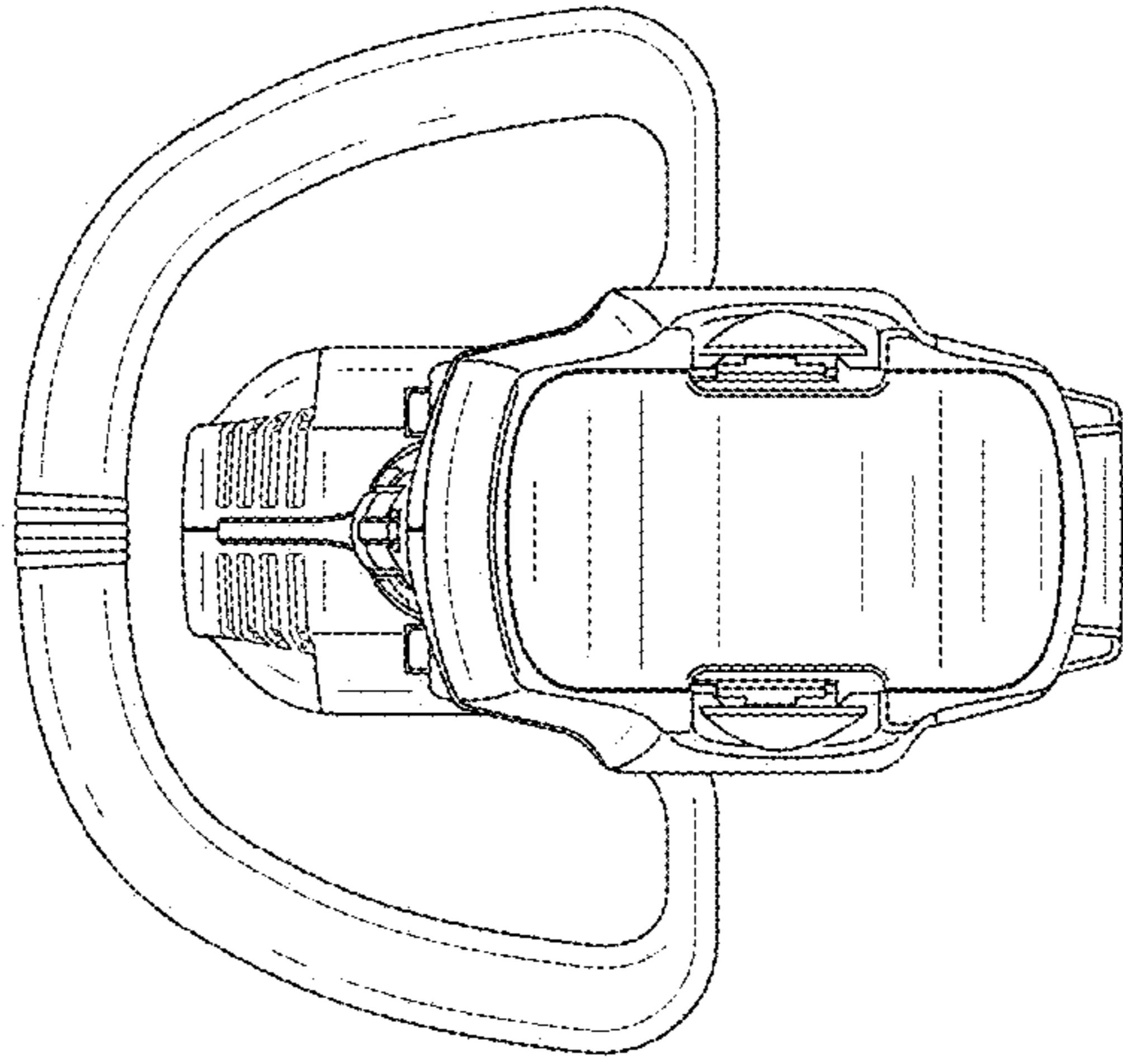


FIG. 3

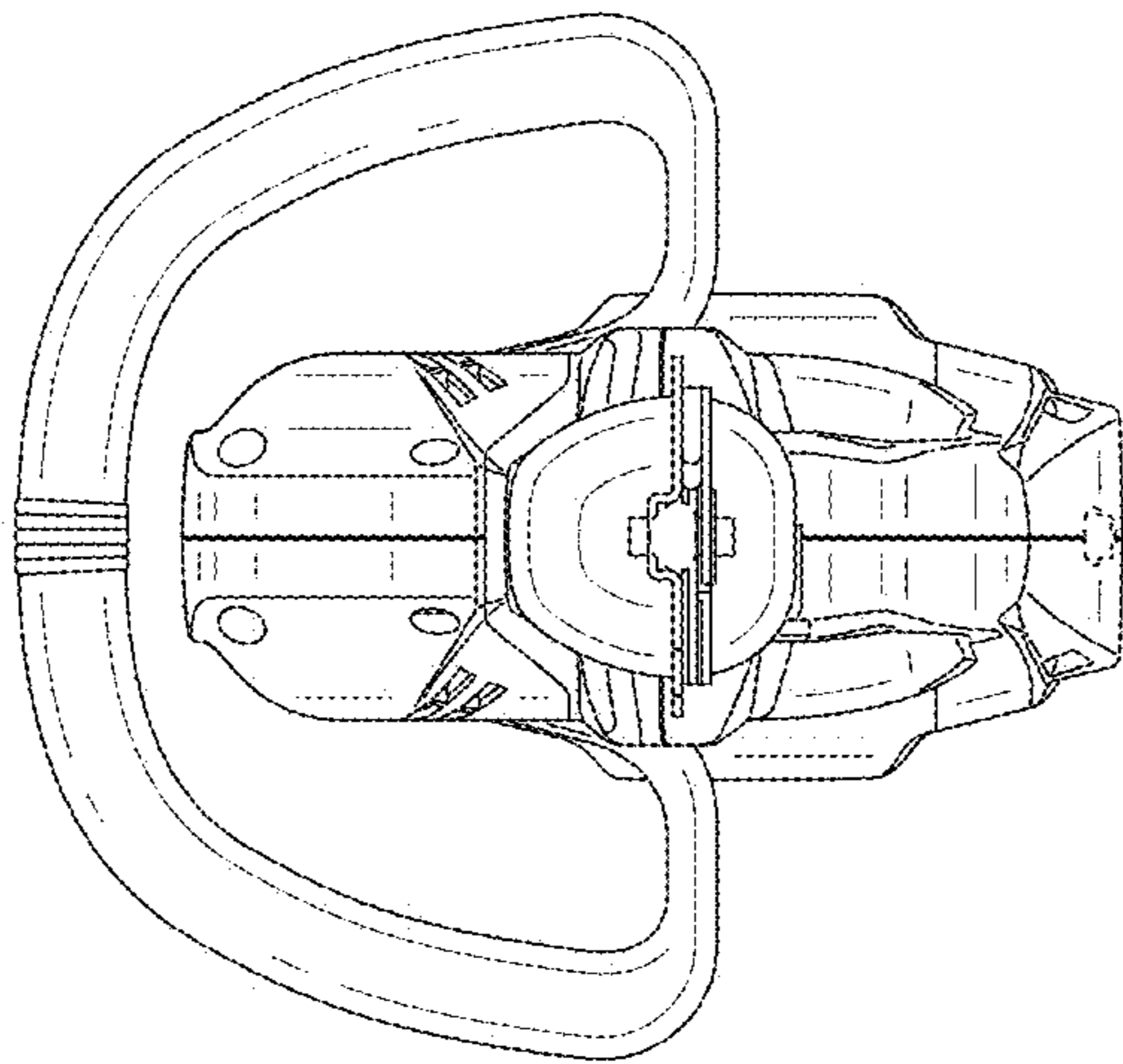


FIG. 2

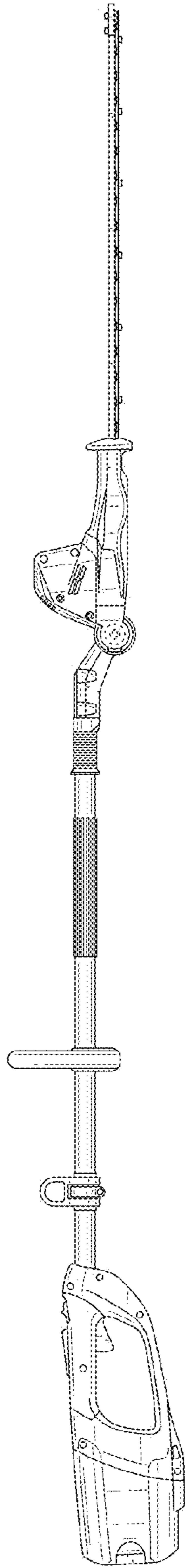


FIG. 4

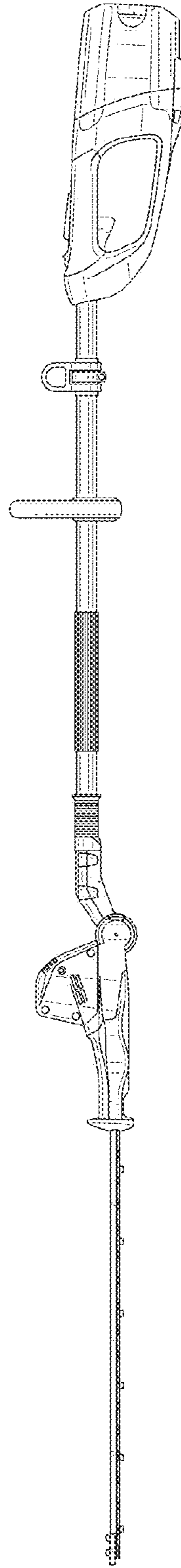


FIG. 5

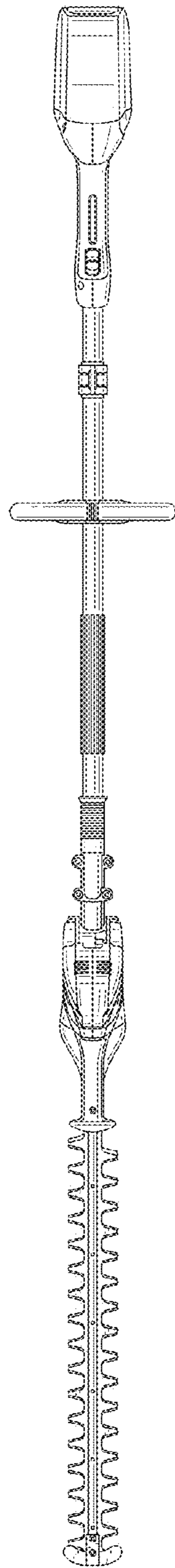


FIG. 6

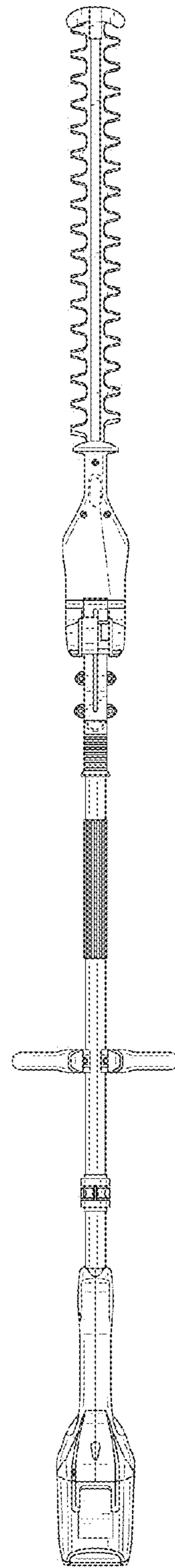


FIG. 7