

US00D732357S

(12) **United States Design Patent**
Mull

(10) **Patent No.:** **US D732,357 S**
(45) **Date of Patent:** **** Jun. 23, 2015**

(54) **LANDSCAPING TIMBER WITH SURFACING GUIDE**

(71) Applicant: **Action Play Systems, LLC**, Cornelius, NC (US)

(72) Inventor: **Steven J. Mull**, Mooresville, NC (US)

(73) Assignee: **Action Play Systems, LLC**, Cornelius, NC (US)

(**) Term: **14 Years**

(21) Appl. No.: **29/504,802**

(22) Filed: **Oct. 9, 2014**

Related U.S. Application Data

(62) Division of application No. 29/446,635, filed on Feb. 26, 2013, now Pat. No. Des. 716,113.

(51) **LOC (10) Cl.** **08-01**

(52) **U.S. Cl.**
USPC **D8/1; D24/164**

(58) **Field of Classification Search**
USPC **D8/1; D25/164, 113, 138; 47/46, 32.4, 47/33; 52/102, 233**
See application file for complete search history.

(56) **References Cited**

U.S. PATENT DOCUMENTS

4,905,409 A 3/1990 Cole
D371,446 S 7/1996 VanDeusen
6,418,675 B1 7/2002 Peggs et al.
D536,584 S 2/2007 Petty

D555,804 S 11/2007 Christensen
D595,872 S 7/2009 Dunn
D595,873 S 7/2009 Dunn
D649,268 S 11/2011 Wink
D654,191 S 2/2012 Wink
8,167,512 B2 5/2012 Christensen
D716,113 S * 10/2014 Mull D8/1
2005/0193647 A1* 9/2005 Jones 52/169.1

* cited by examiner

Primary Examiner — Sheryl Lane

(74) *Attorney, Agent, or Firm* — Trego, Hines & Ladenheim, PLLC

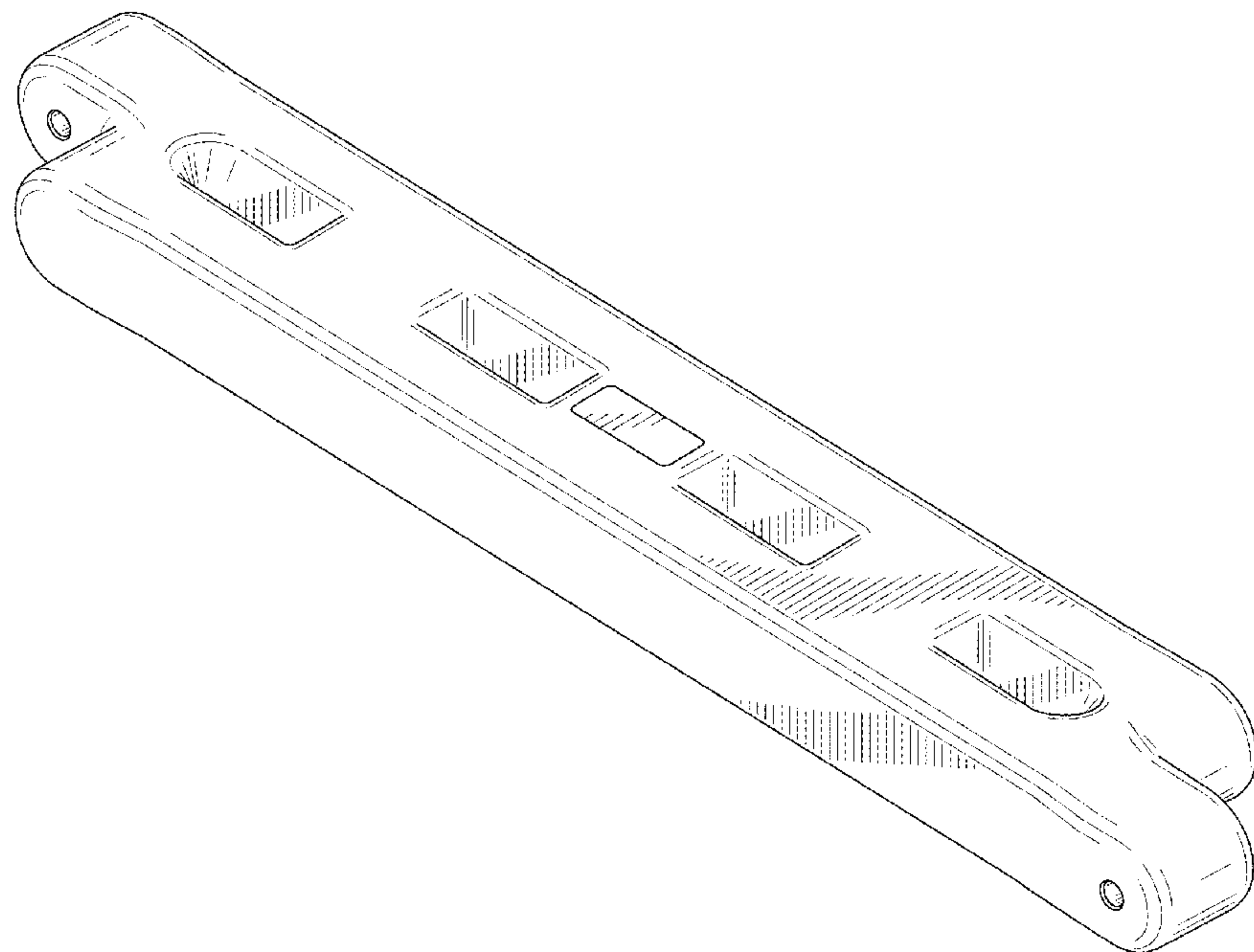
(57) **CLAIM**

I claim the ornamental design for a landscaping timber with surfacing guide, as shown and described.

DESCRIPTION

FIG. 1 is a front perspective view of a landscaping timber with a surfacing guide, showing my new design;
FIG. 2 is a front elevational view of the landscaping timber with a surfacing guide of FIG. 1;
FIG. 3 is a rear elevational view of the landscaping timber with a surfacing guide of FIG. 1;
FIG. 4 is a top plan view of the landscaping timber with a surfacing guide of FIG. 1;
FIG. 5 is a bottom plan view of the landscaping timber with a surfacing guide of FIG. 1;
FIG. 6 is a left side elevational view of the landscaping timber with a surfacing guide of FIG. 1;
FIG. 7 is a right side elevational view of the landscaping timber with a surfacing guide of FIG. 1; and,
FIG. 8 is a rear perspective view of the landscaping timber with a surfacing guide of FIG. 1.

1 Claim, 5 Drawing Sheets



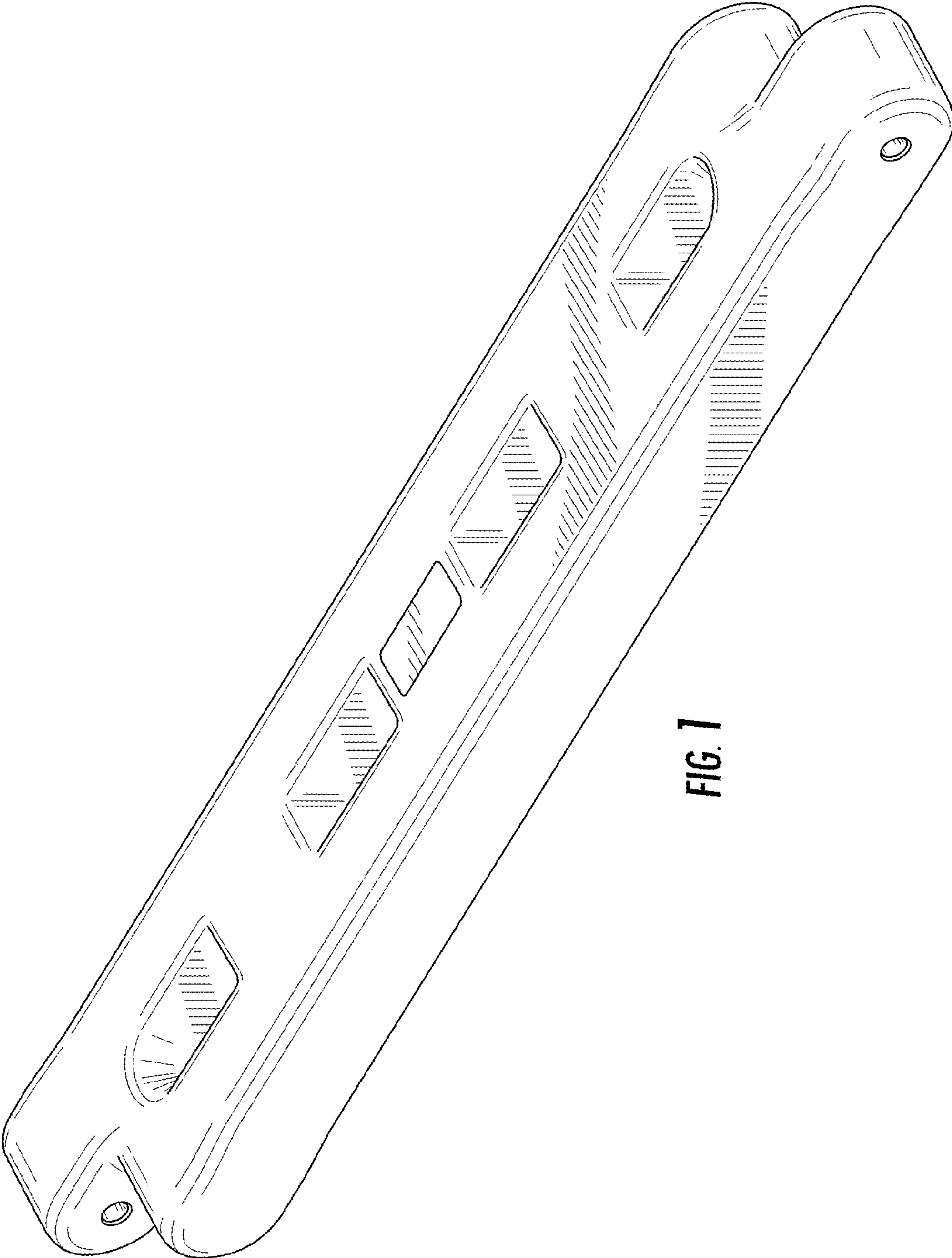


FIG. 1

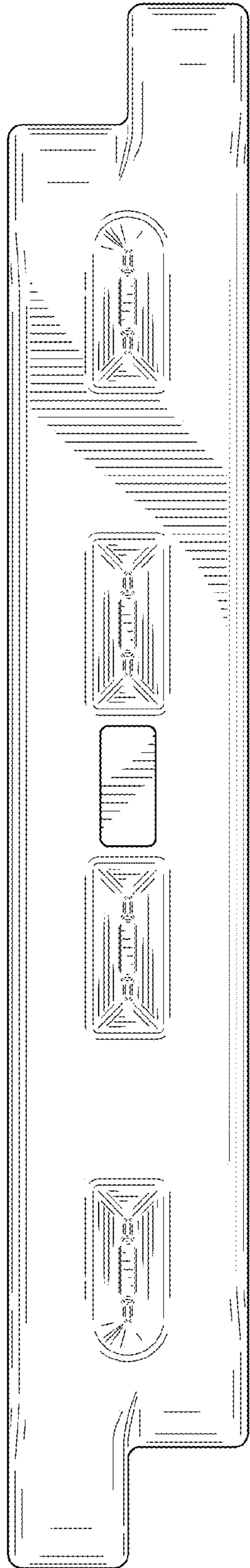


FIG. 2

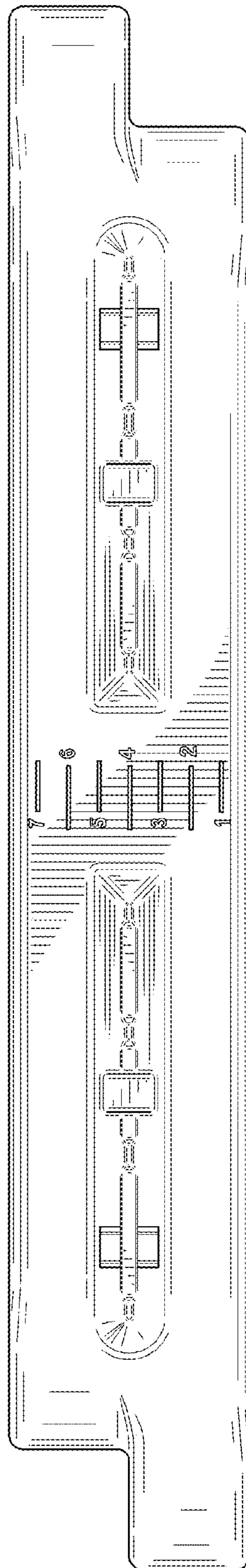


FIG. 3

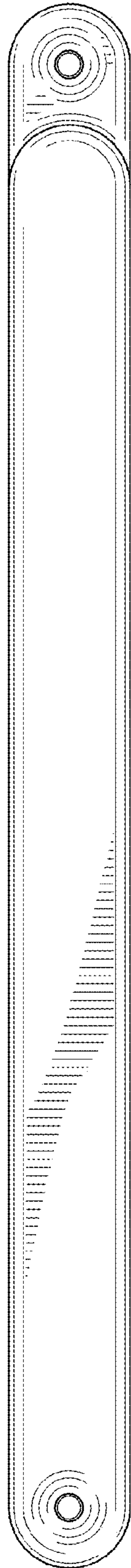


FIG. 4

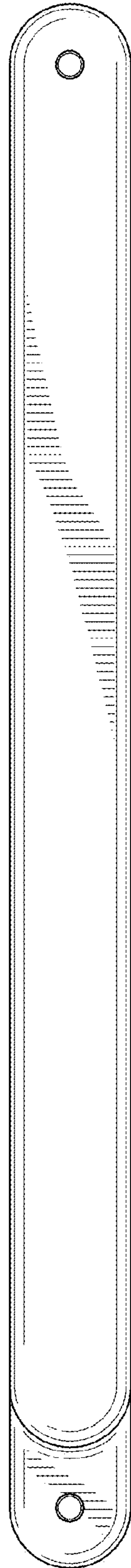


FIG. 5

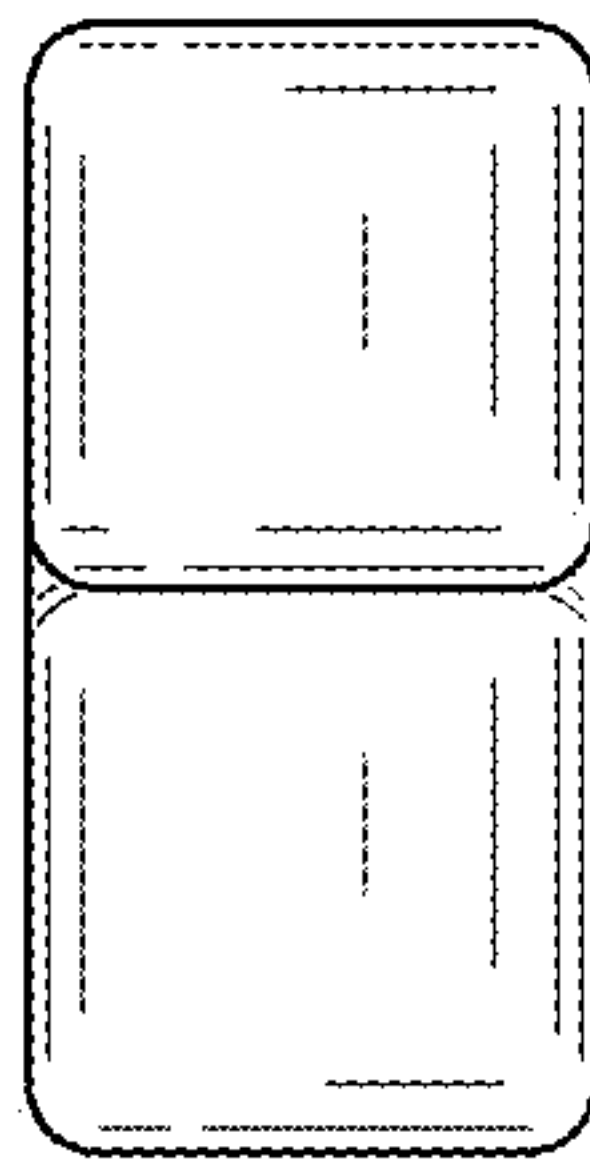


FIG. 6

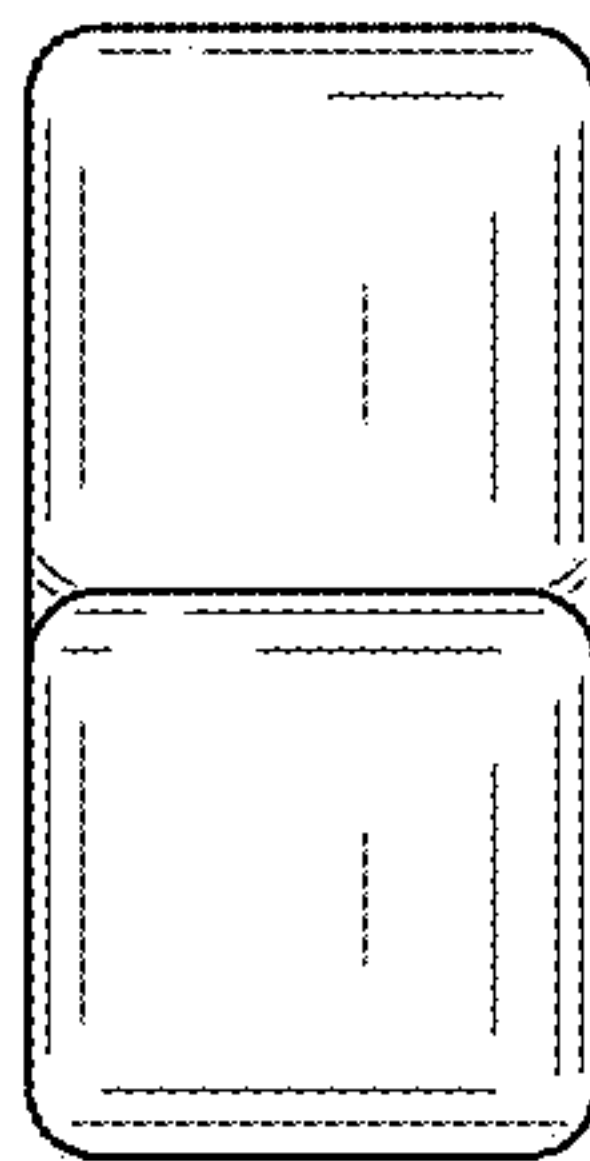


FIG. 7

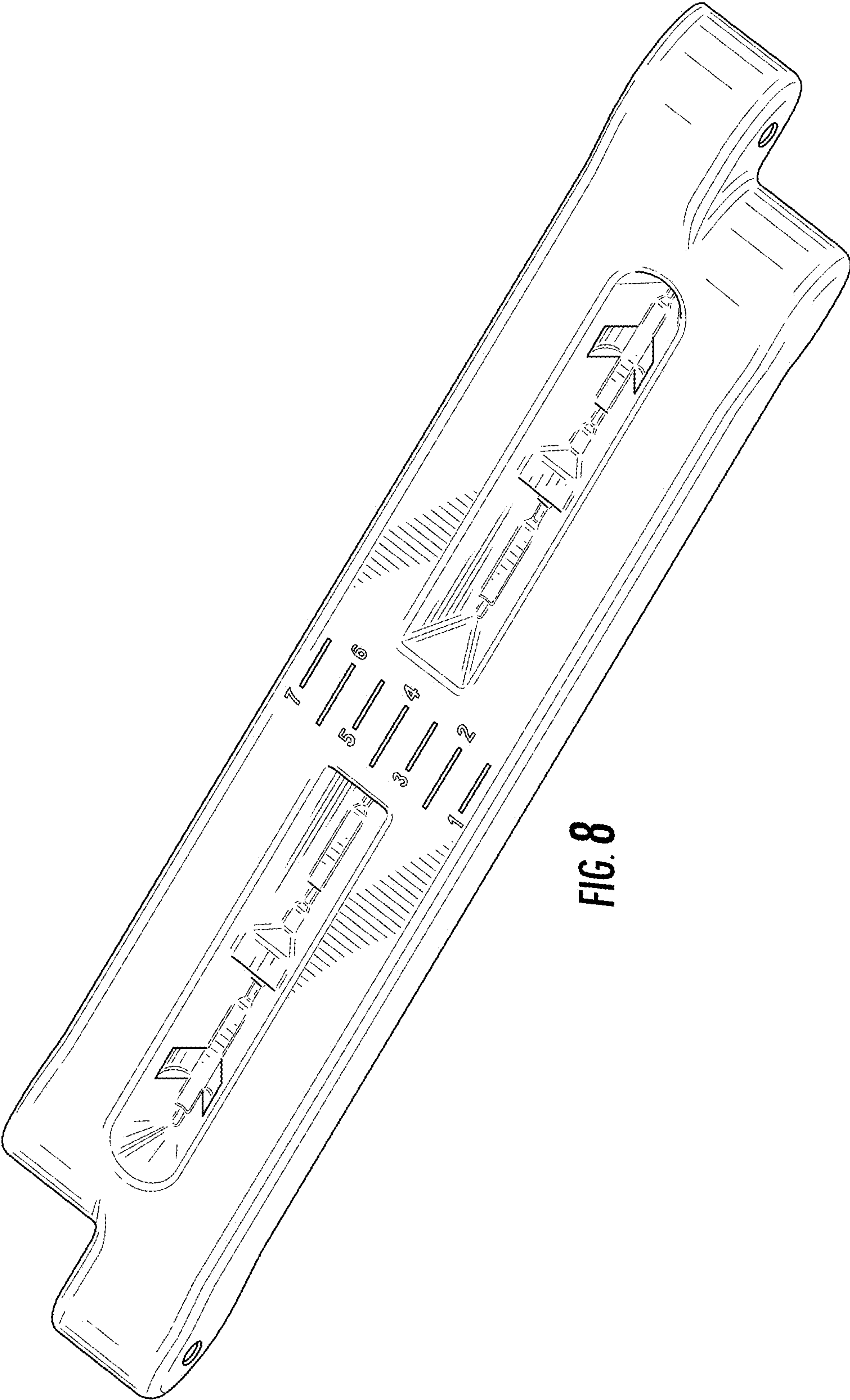


FIG. 8