



US00D732355S

(12) **United States Design Patent**  
**Diamond**

(10) **Patent No.:** **US D732,355 S**  
(45) **Date of Patent:** **\*\* \*Jun. 23, 2015**

(54) **PIE CUTTING TEMPLATE KIT**

(71) Applicant: **Larry Diamond**, Largs (GB)

(72) Inventor: **Larry Diamond**, Largs (GB)

(\*) Notice: This patent is subject to a terminal disclaimer.

(\*\*) Term: **14 Years**

(21) Appl. No.: **29/446,527**

(22) Filed: **Feb. 25, 2013**

(51) **LOC (10) Cl.** ..... **07-04**

(52) **U.S. Cl.**  
USPC ..... **D7/673**

(58) **Field of Classification Search**  
USPC ..... D7/672-677, 669, 368; 30/114, 289,  
30/315, 299, 302, 355, 314, 303, 316;  
425/332, 454, 298  
See application file for complete search history.

(56) **References Cited**

U.S. PATENT DOCUMENTS

2,086,620 A \* 7/1937 Hoffman ..... 30/315  
2,424,015 A \* 7/1947 Booker ..... 30/302

(Continued)

*Primary Examiner* — Terry Wallace

(74) *Attorney, Agent, or Firm* — Frank J. Dykas; Dykas Law Offices

(57) **CLAIM**

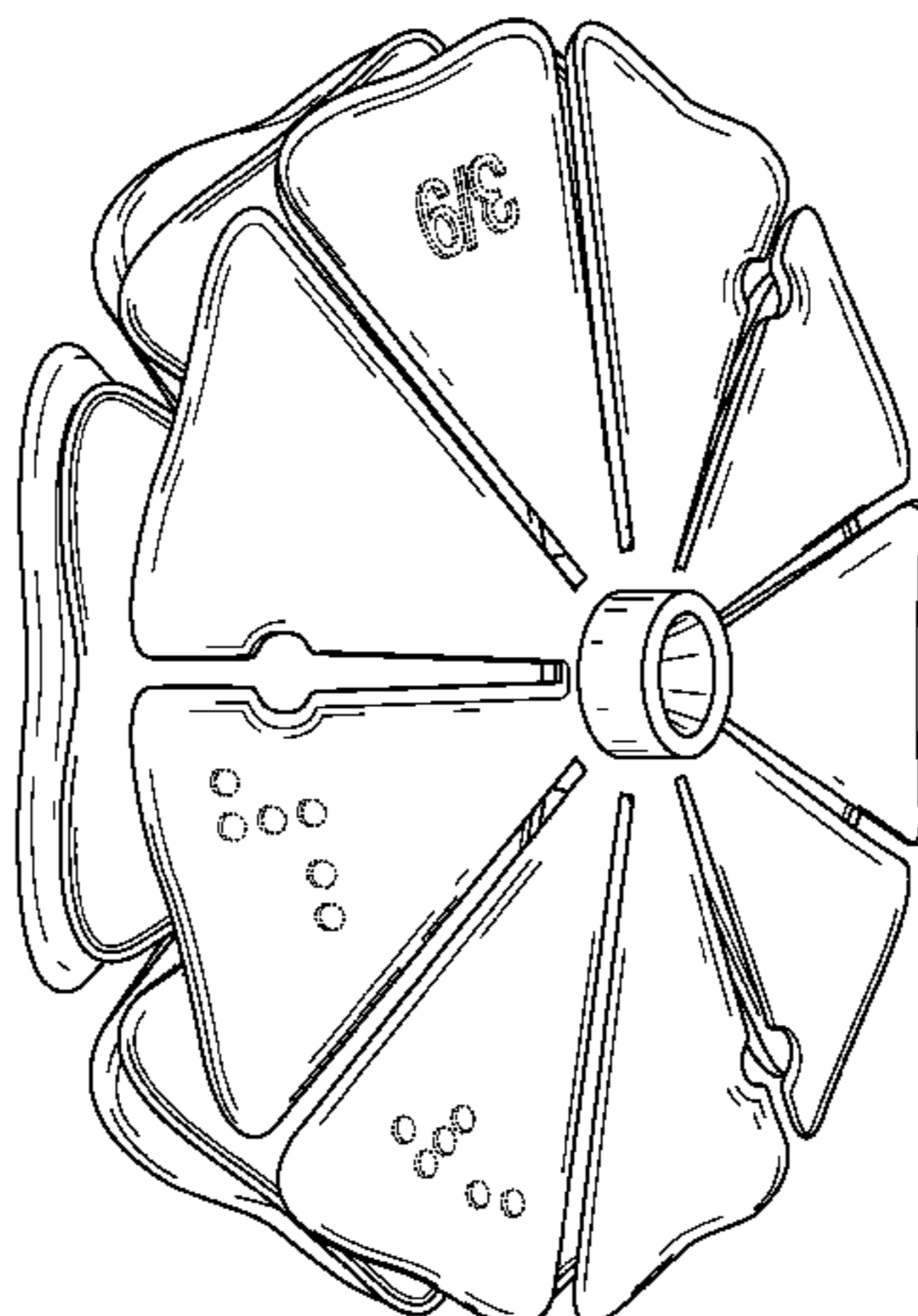
The ornamental design for a pie cutting template kit, as shown and described.

**DESCRIPTION**

FIG. 1 is a perspective top view of the pie cutting template kit;  
FIG. 2 is a perspective bottom view of the pie cutting template kit;  
FIG. 3 is a top plan view of the pie cutting template kit;

FIG. 4 is a bottom plan view of the pie cutting template kit;  
FIG. 5 is a front elevation view of the pie cutting template kit;  
FIG. 6 is a rear elevation view of the pie cutting template kit;  
FIG. 7 is a top perspective view of the 5-section template for the pie cutting template kit.  
FIG. 8 is a bottom perspective view of the 5-section template for the pie cutting template kit;  
FIG. 9 is a top plan view of the 5-section template for the pie cutting template kit;  
FIG. 10 is a bottom plan view of the 5-section template for the pie cutting template kit;  
FIG. 11 is a front elevation view of the 5-section template for the pie cutting template kit;  
FIG. 12 is a rear elevation view of the 5-section template for the pie cutting template kit;  
FIG. 13 is a top perspective view of the 7-section template for the pie cutting template kit;  
FIG. 14 is a bottom perspective view of the 7-section template for the pie cutting template kit;  
FIG. 15 is a top plan view of the 7-section template for the pie cutting template kit;  
FIG. 16 is a bottom plan view of the 7-section template for the pie cutting template kit;  
FIG. 17 is a front elevation view of the 7 section template for the pie cutting template kit;  
FIG. 18 is a rear elevation view of the 7-section template for the pie cutting template kit;  
FIG. 19 is a top perspective view of the 9 section template for the pie cutting template kit;  
FIG. 20 is a bottom perspective view of the 9-section template for the pie cutting template kit;  
FIG. 21 is a top plan view of the 9-section template for the pie cutting template kit;  
FIG. 22 is a bottom plan view of the 9-section template for the pie cutting template kit;  
FIG. 23 is a front elevation view of the 9-section template for the pie cutting template kit; and,  
FIG. 24 is a rear elevation view of the 9-section template for the pie cutting template kit.  
The broke lines are for illustrative purposes only and form no part of the claimed design. The templates are shown separately for clarity of illustration.

**1 Claim, 24 Drawing Sheets**



# US D732,355 S

Page 2

---

(56)

## References Cited

### U.S. PATENT DOCUMENTS

				4,967,477 A *	11/1990	Sanford	.....	30/315
				7,480,999 B2 *	1/2009	Atwater et al.	.....	30/289
				2004/0020055 A1 *	2/2004	Zuker	.....	30/114
	3,225,714 A *	12/1965	Gaskell	.....	425/332			
	4,327,489 A *	5/1982	Conrad	.....	30/299			

\* cited by examiner

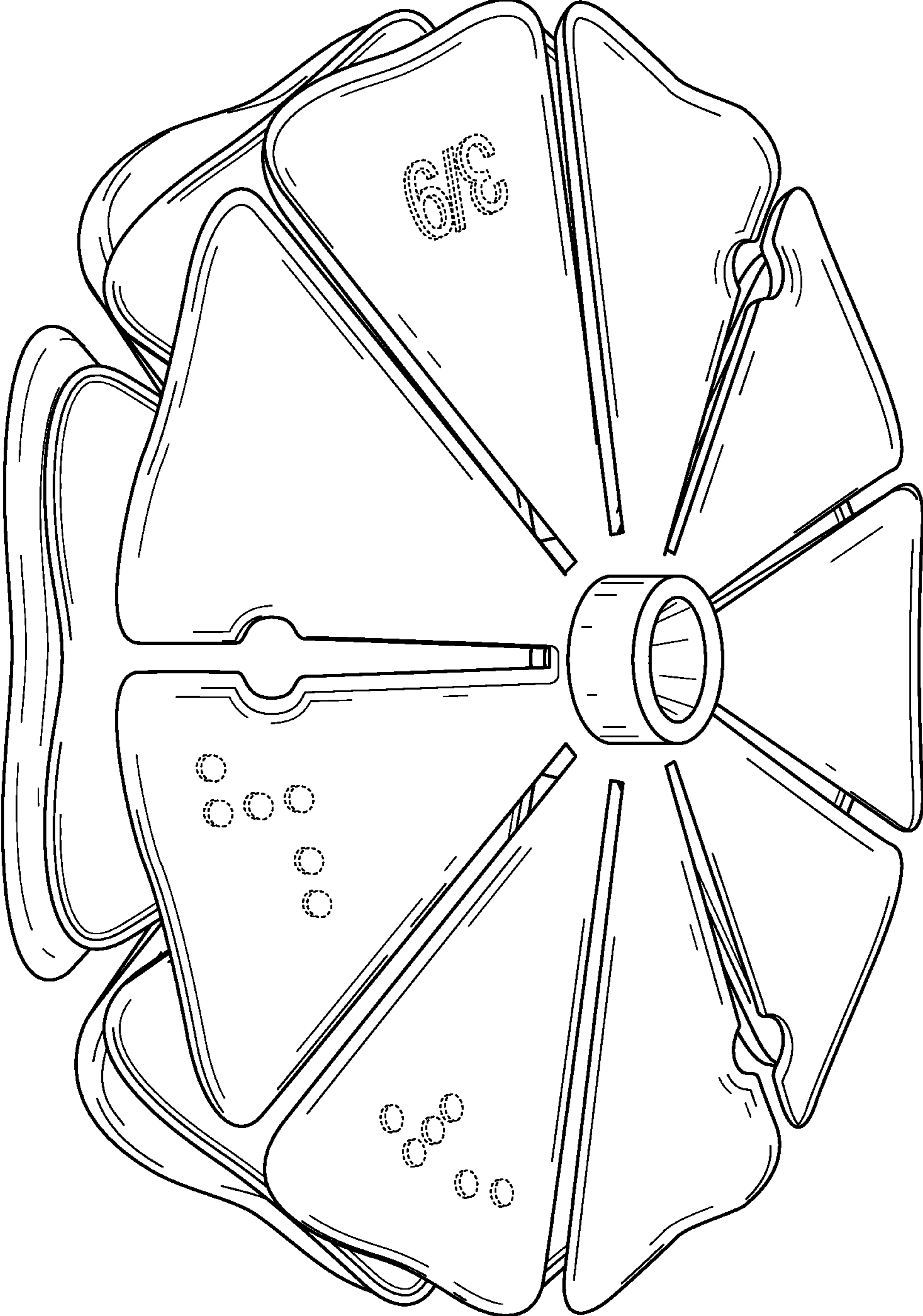


FIG. 1

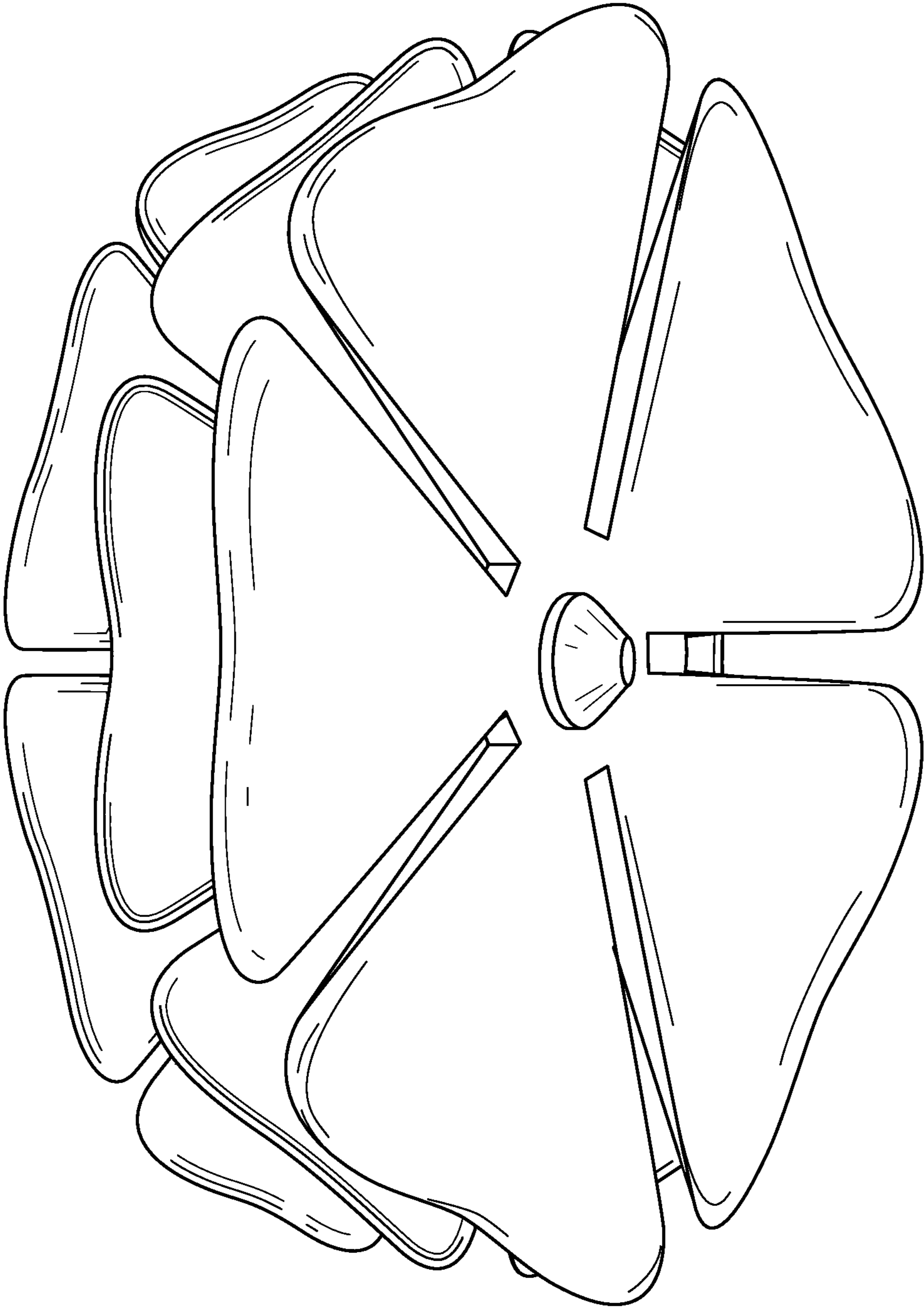


FIG. 2

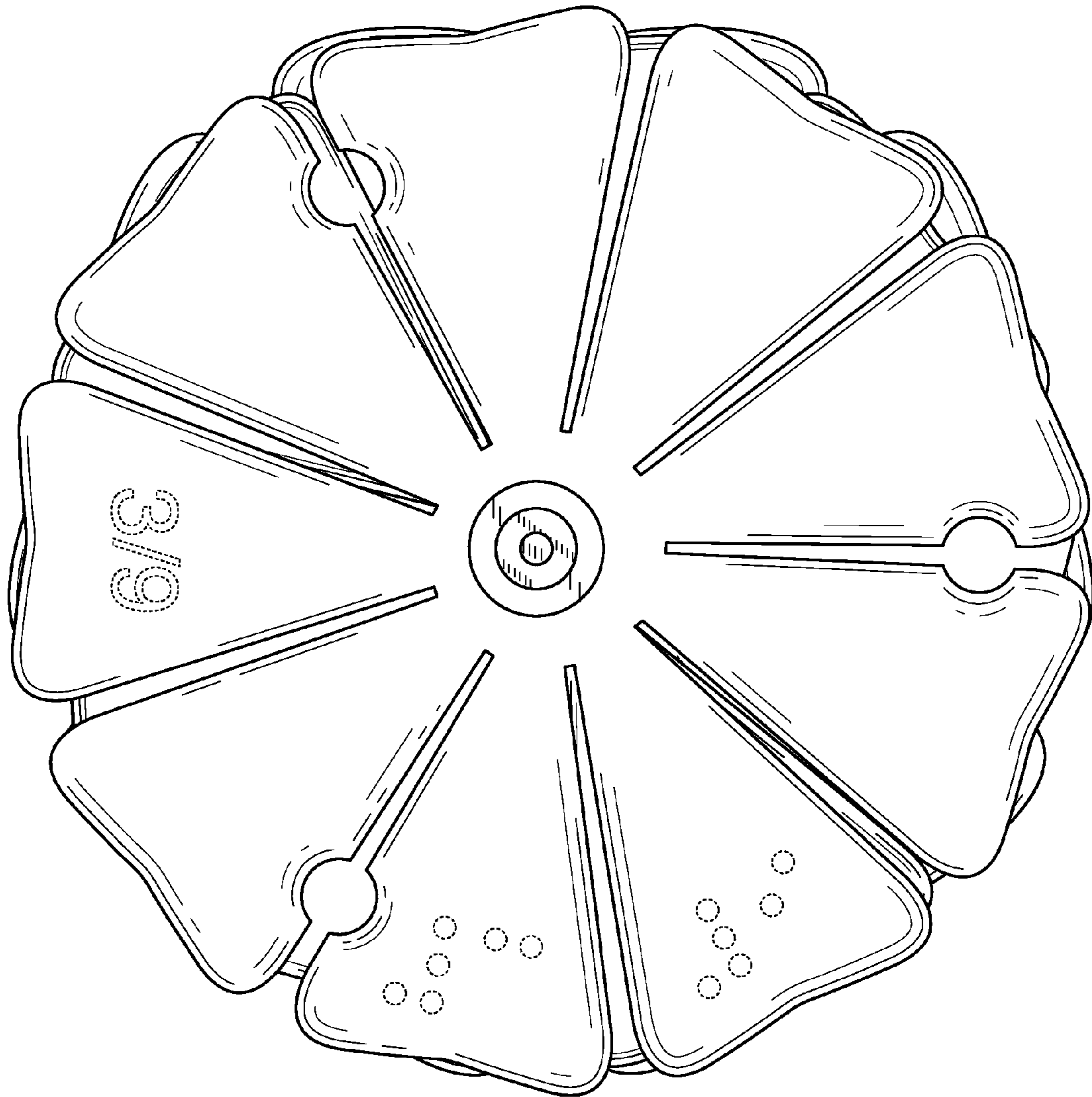


FIG. 3

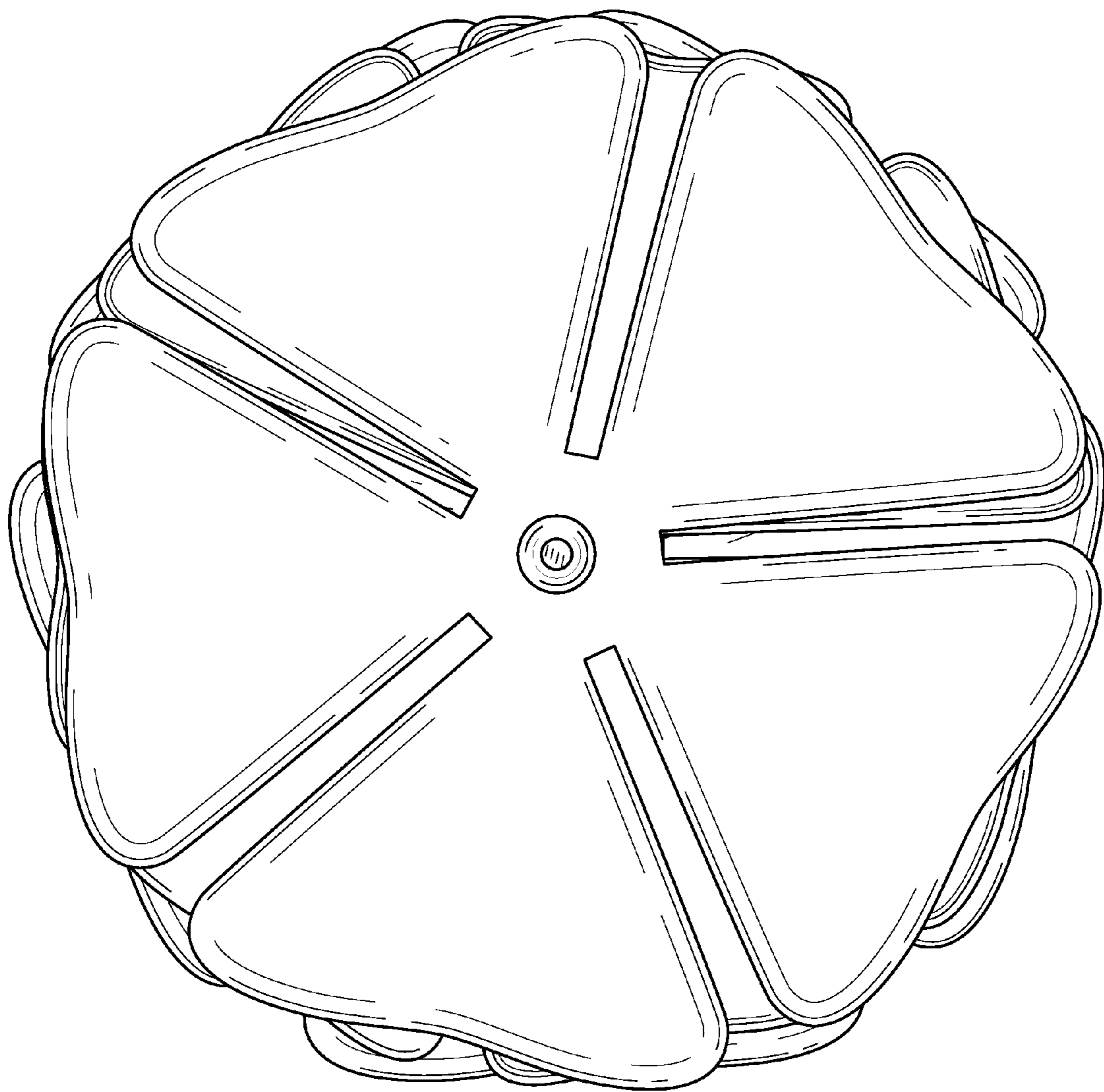


FIG. 4

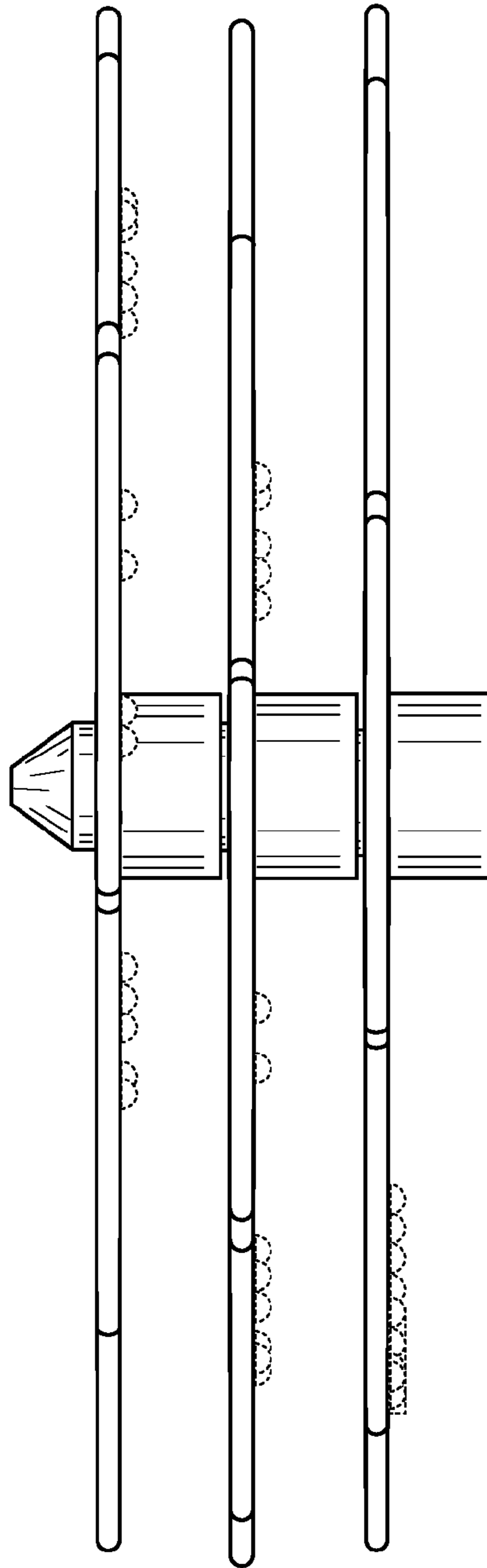


FIG. 5

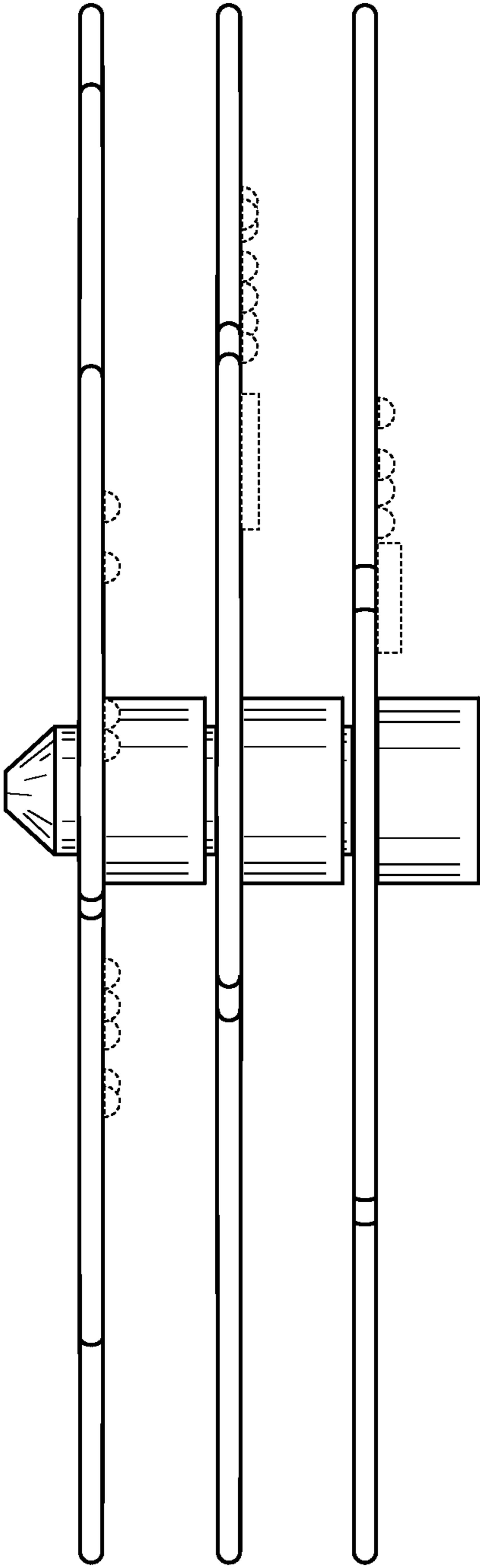


FIG. 6



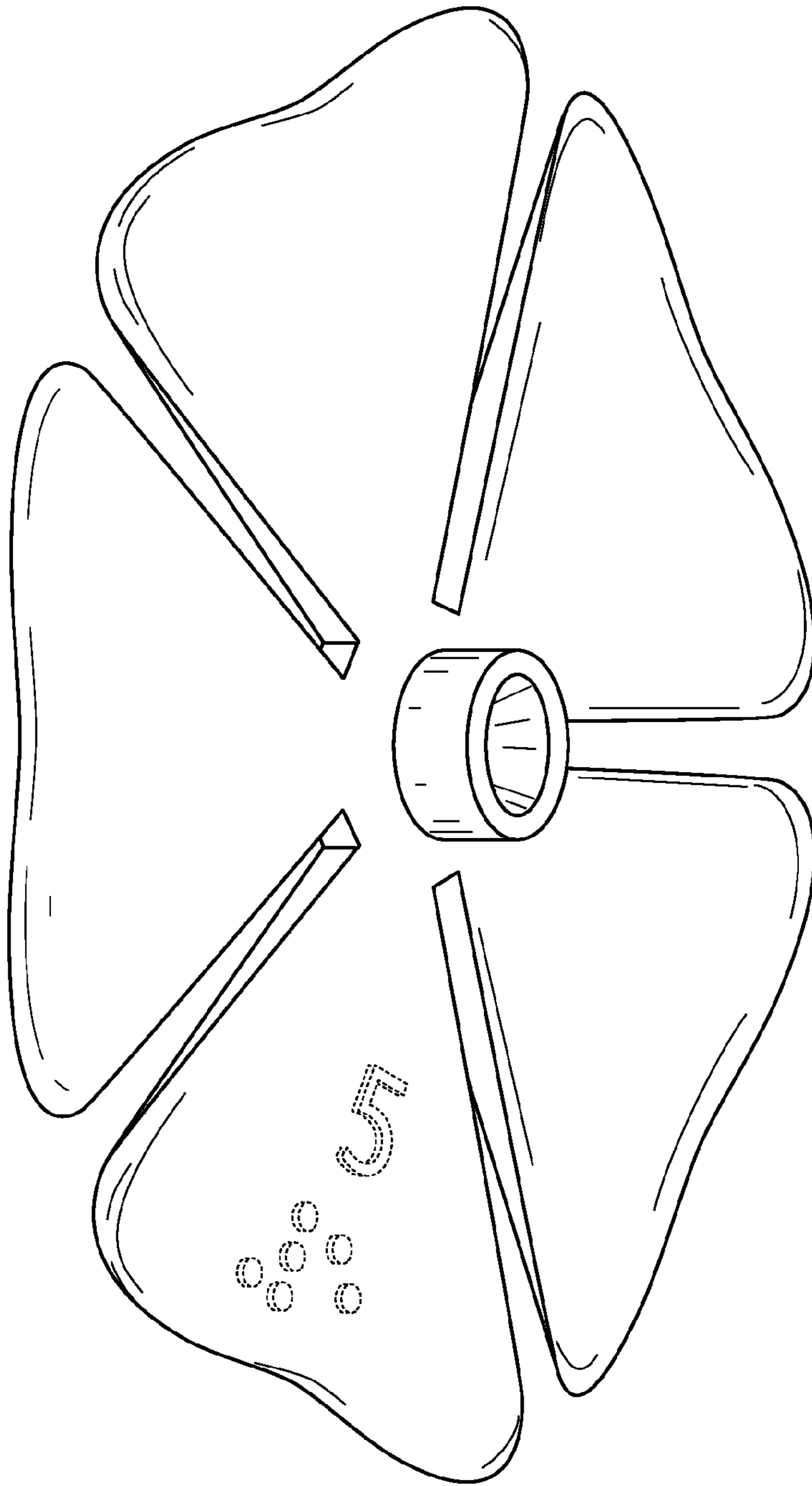


FIG. 7

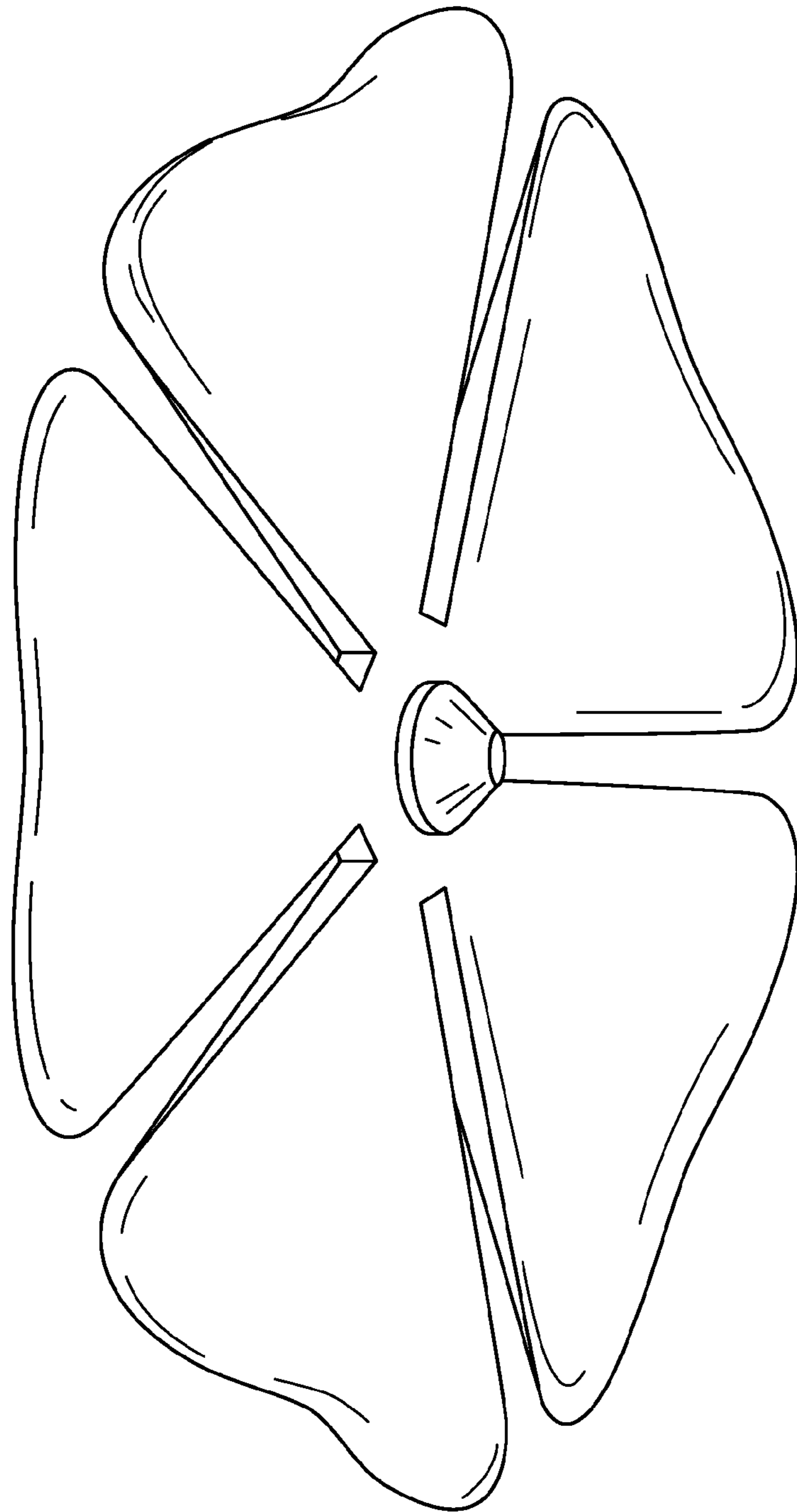


FIG. 8

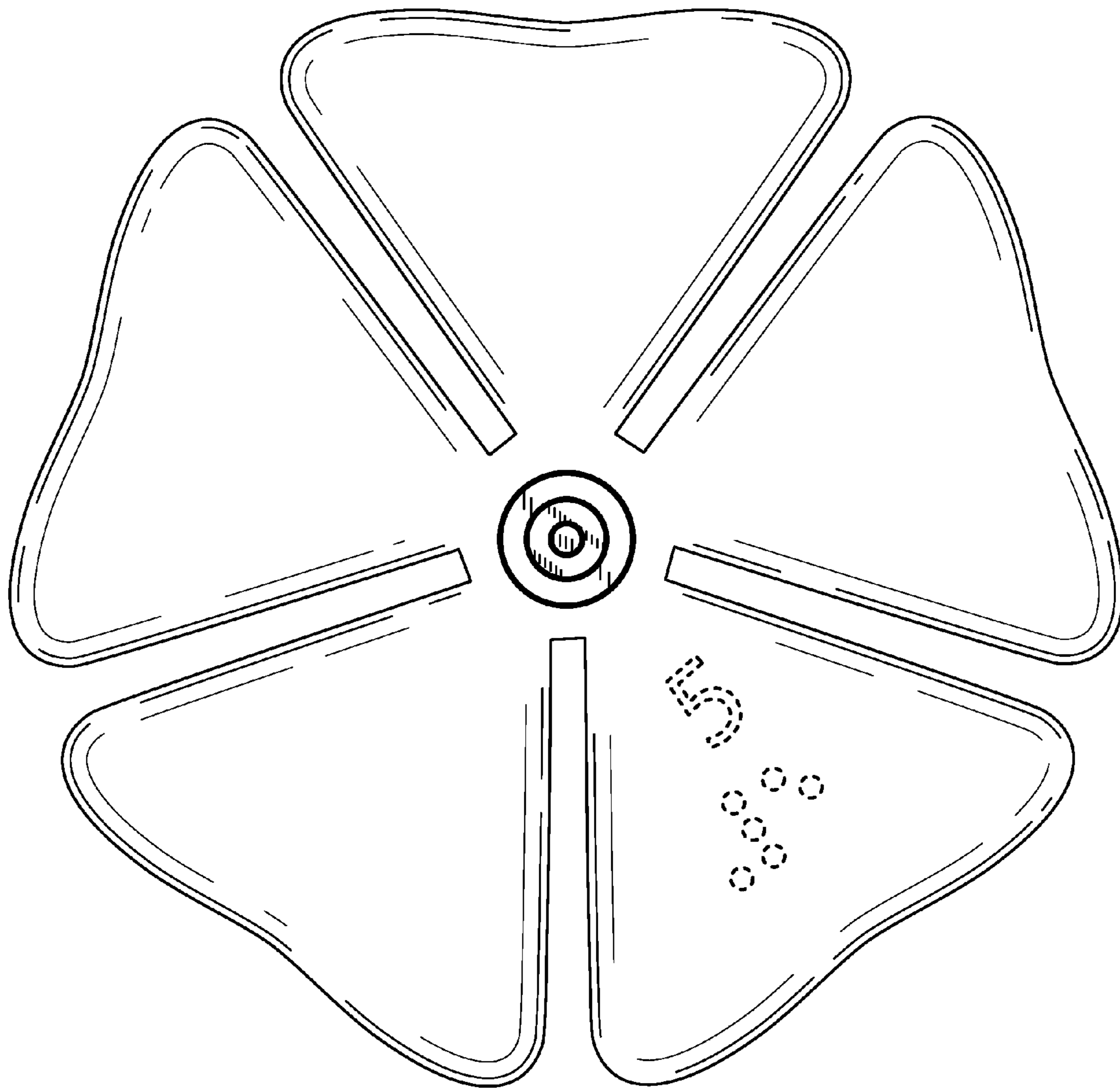


FIG. 9

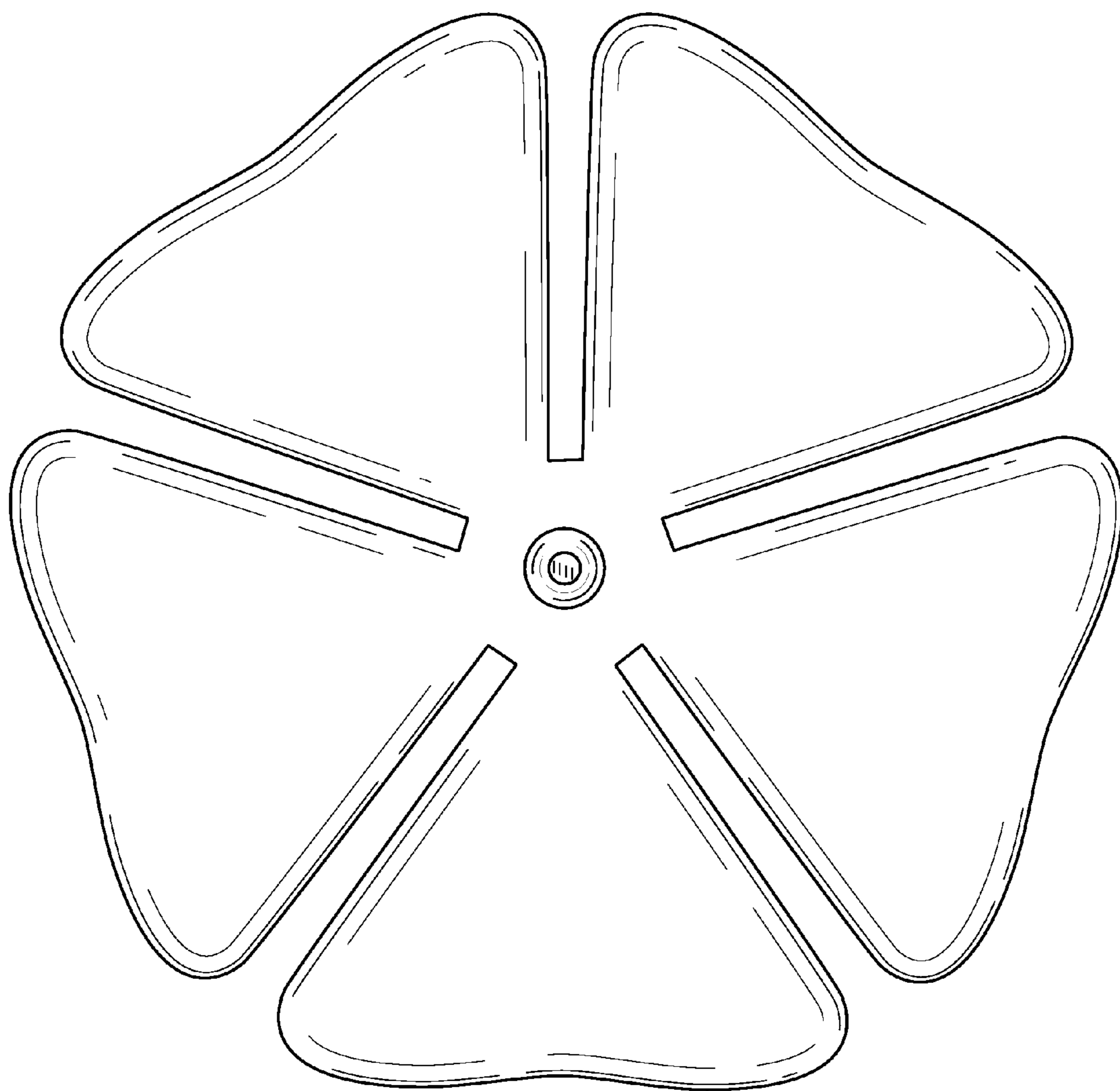


FIG. 10

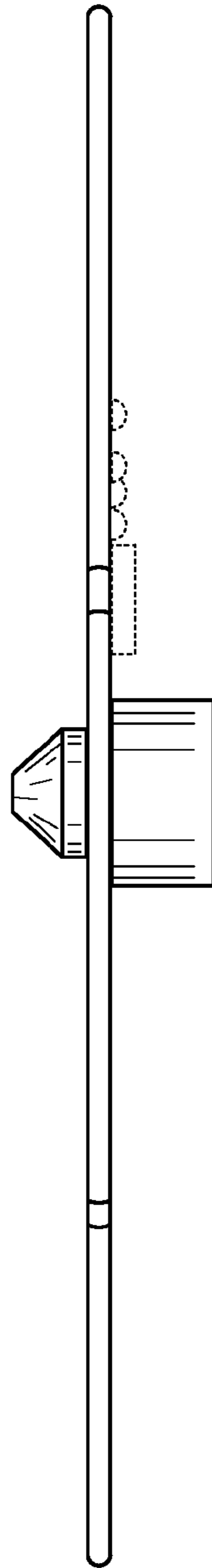


FIG. 11

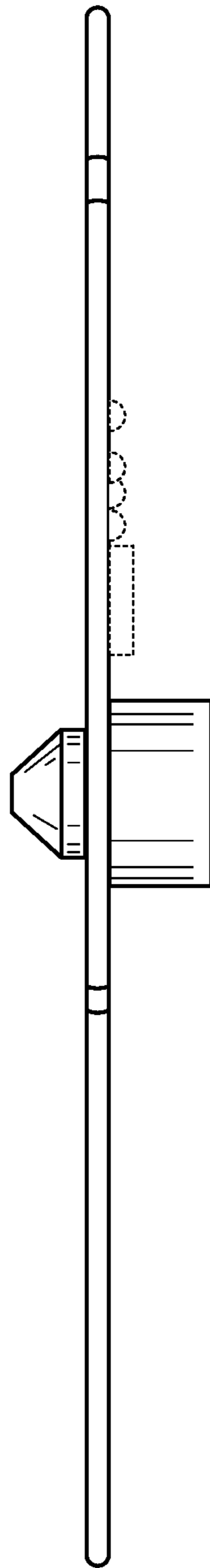


FIG. 12

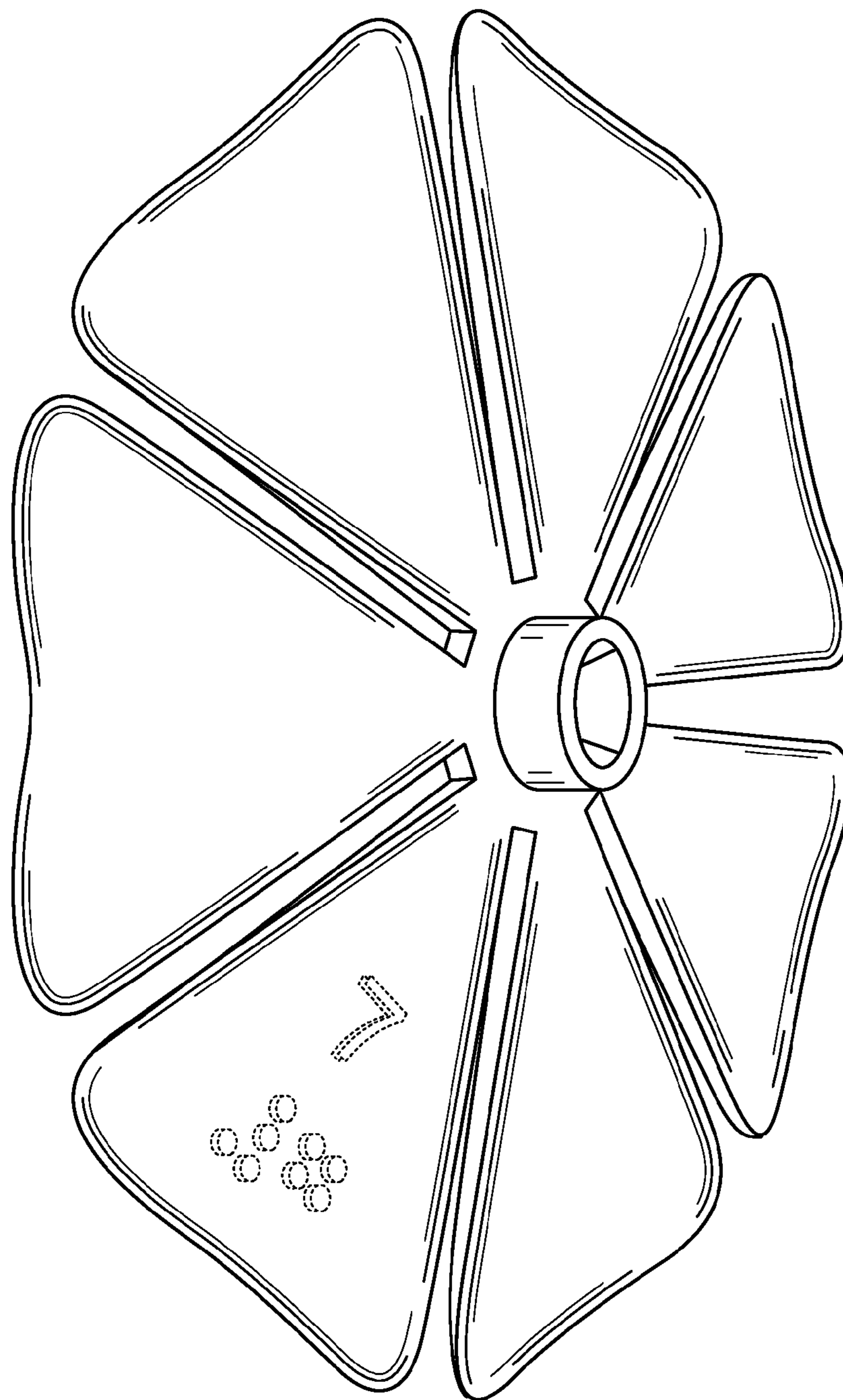


FIG. 13

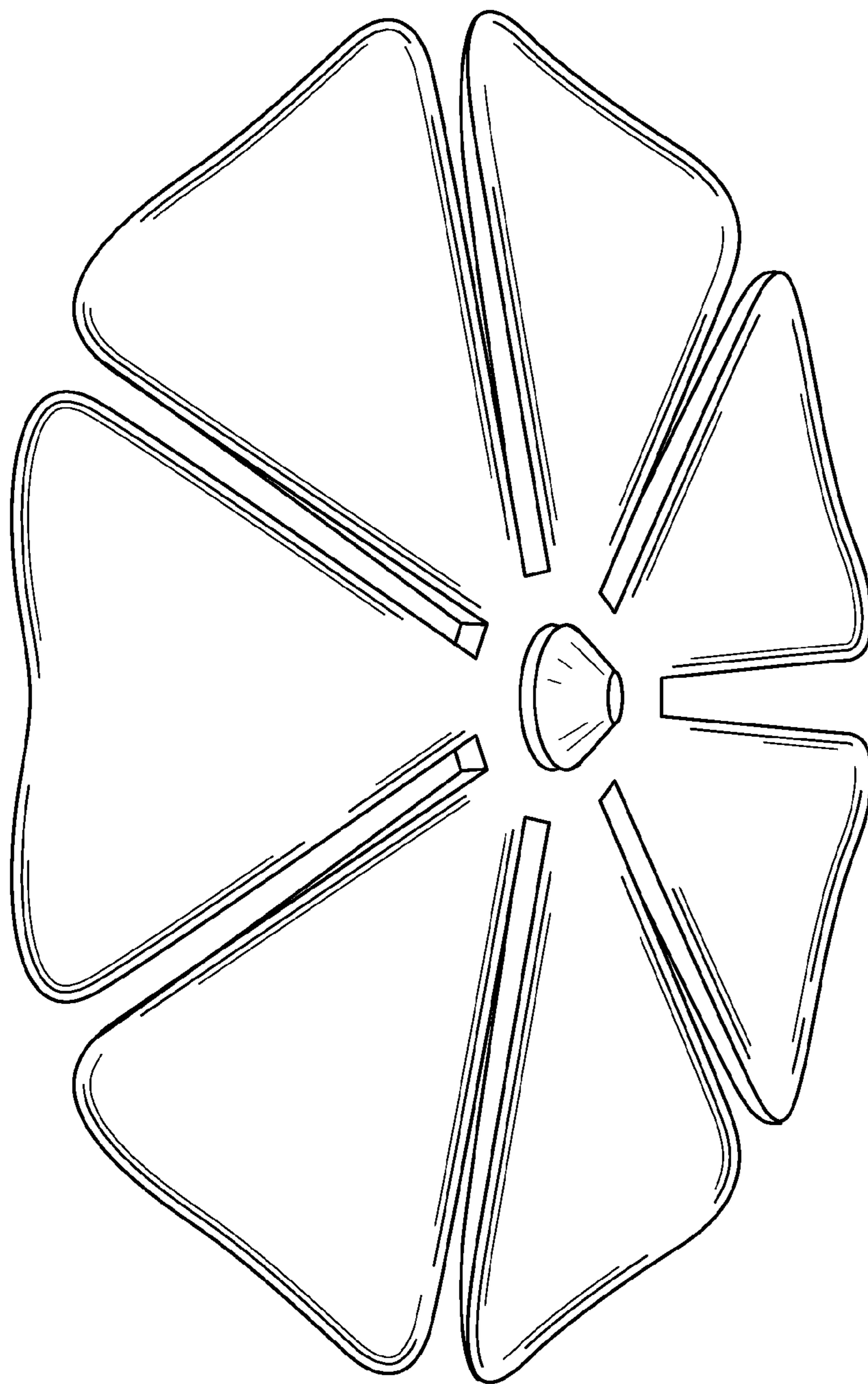


FIG. 14



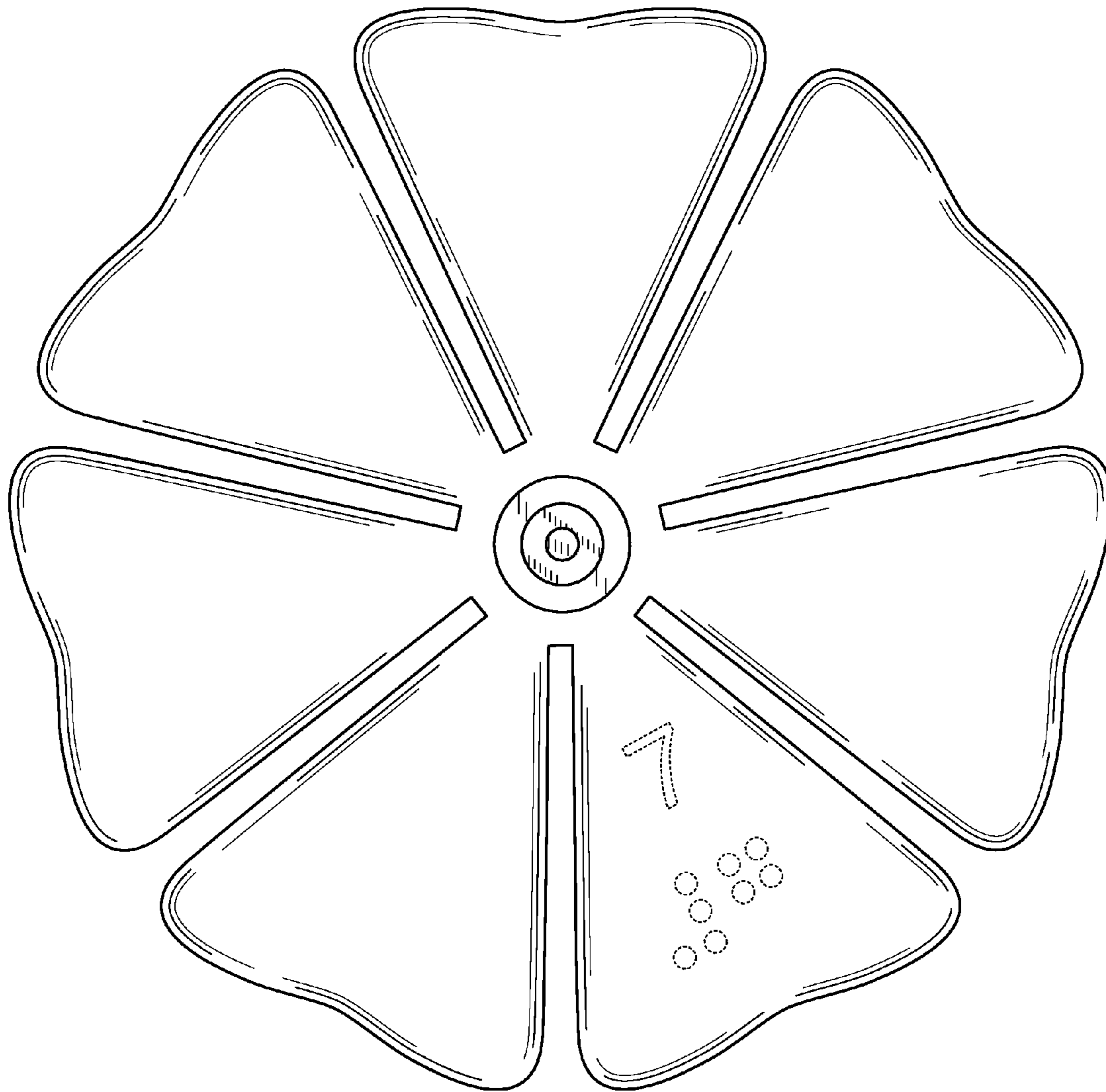


FIG. 15

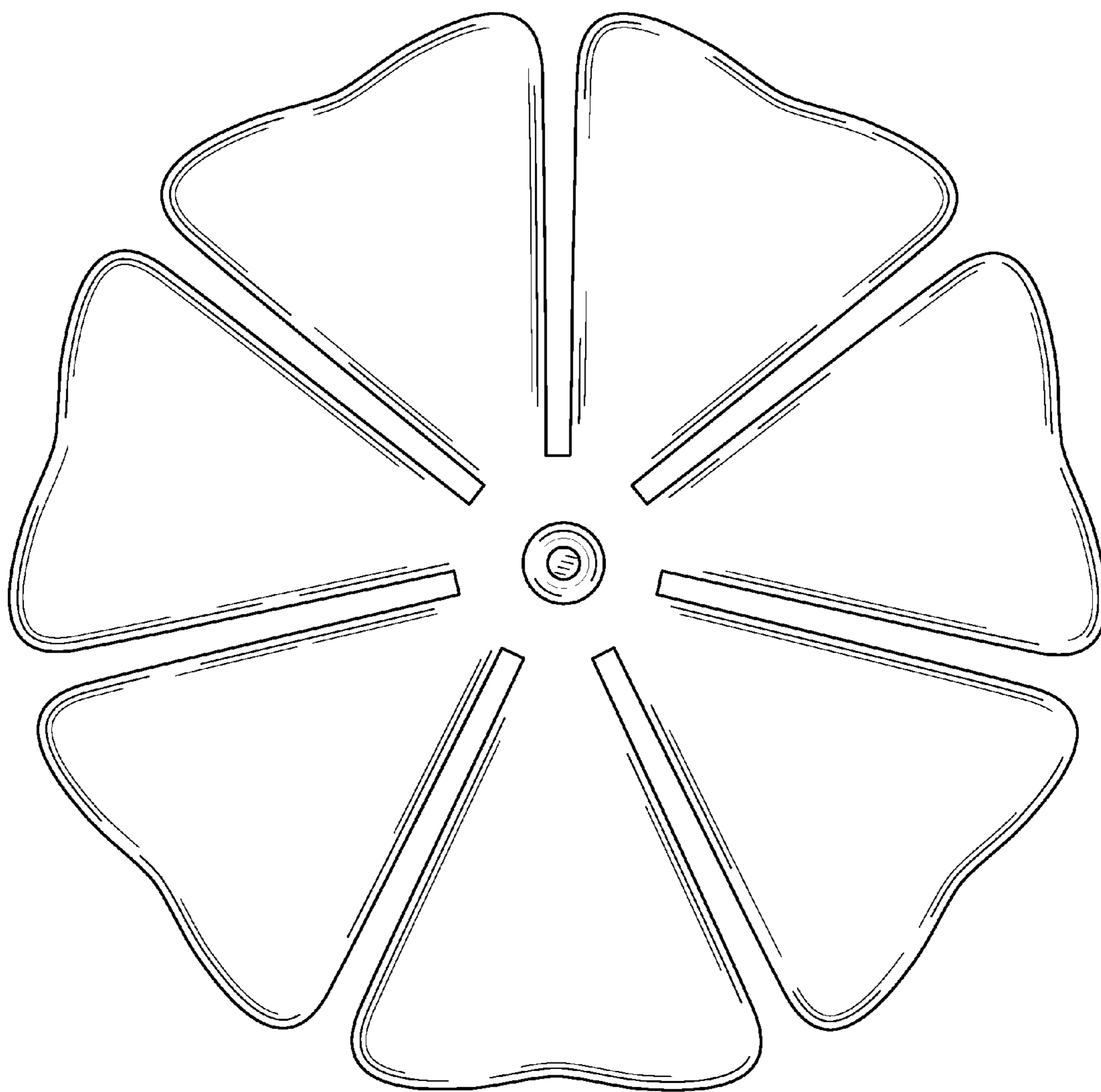


FIG. 16

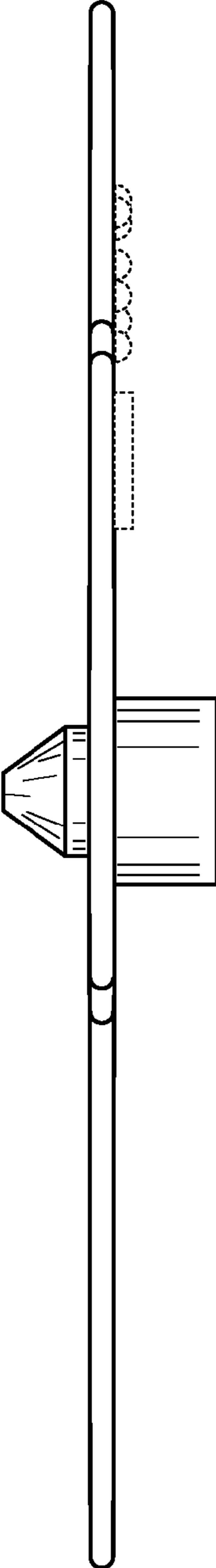


FIG. 17

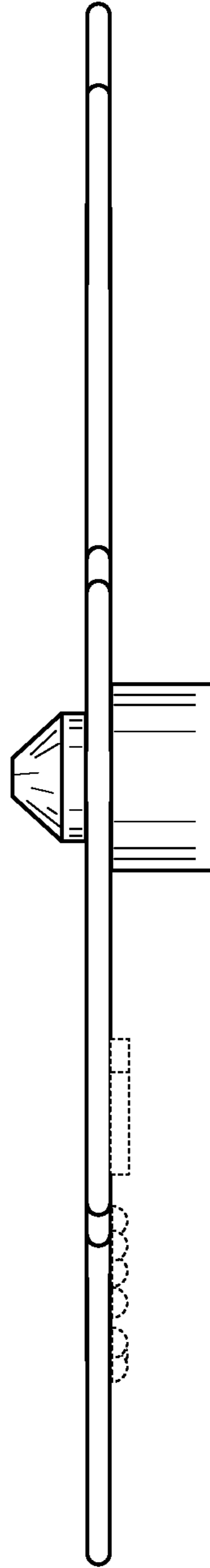


FIG. 18

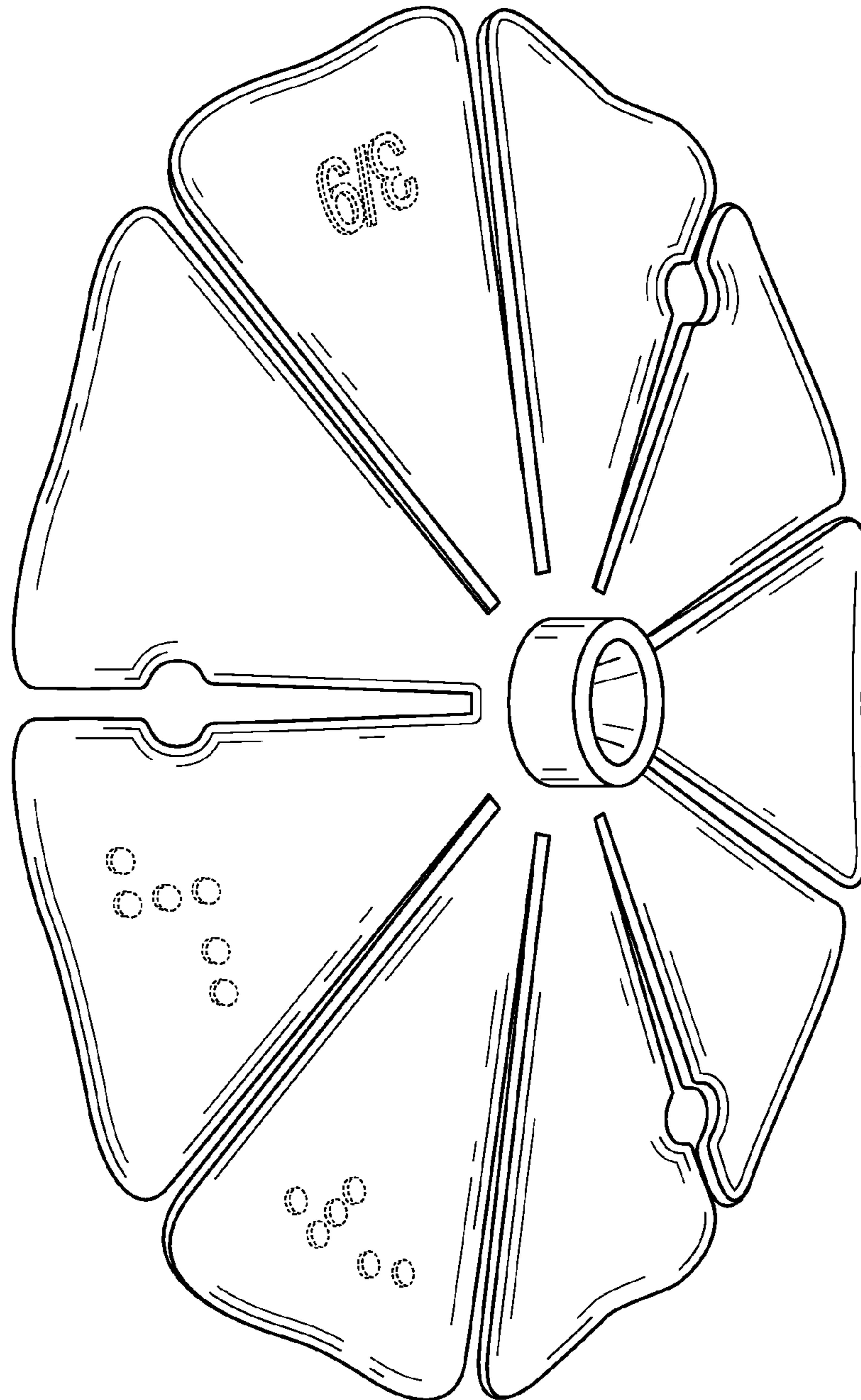


FIG. 19

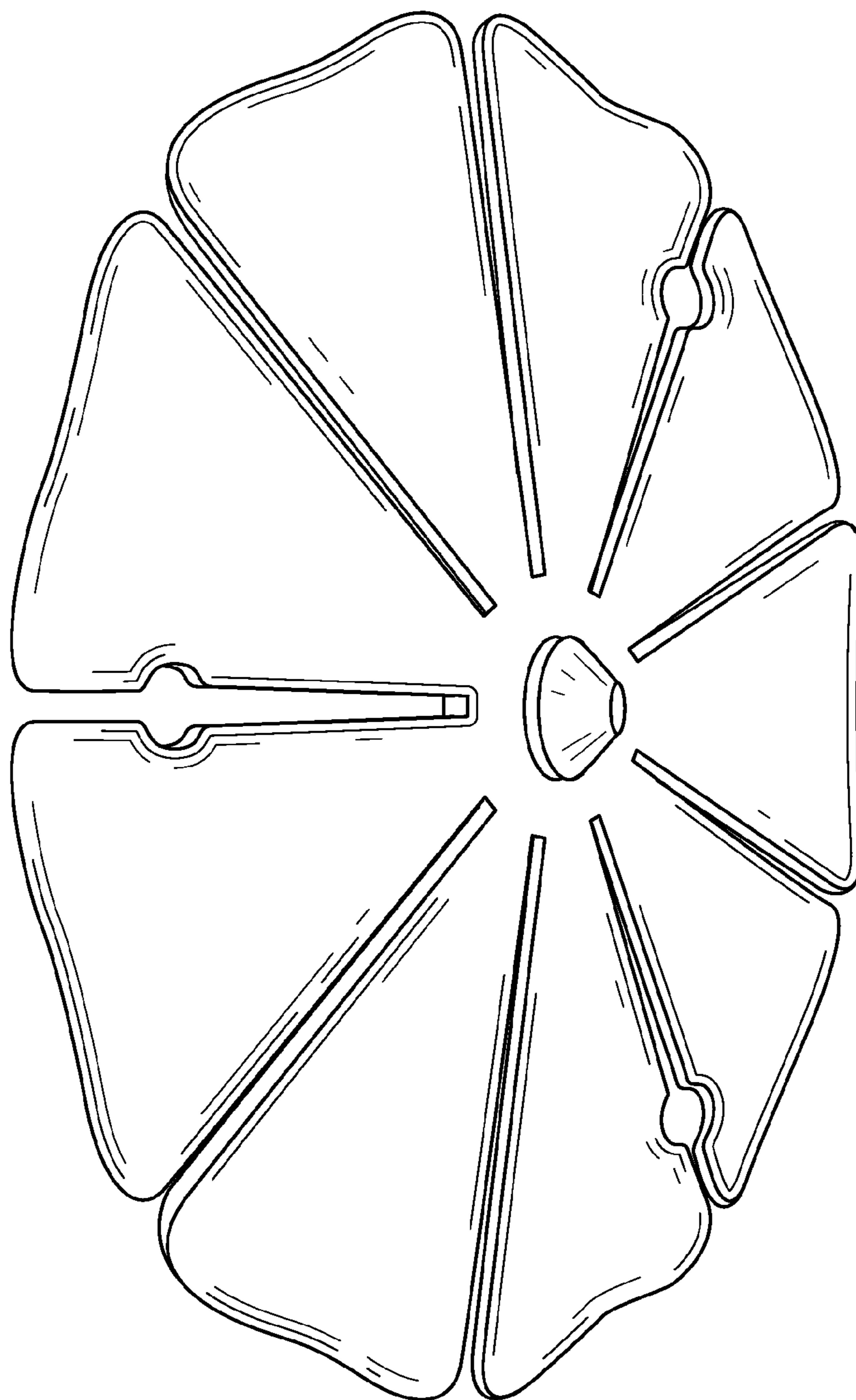


FIG. 20

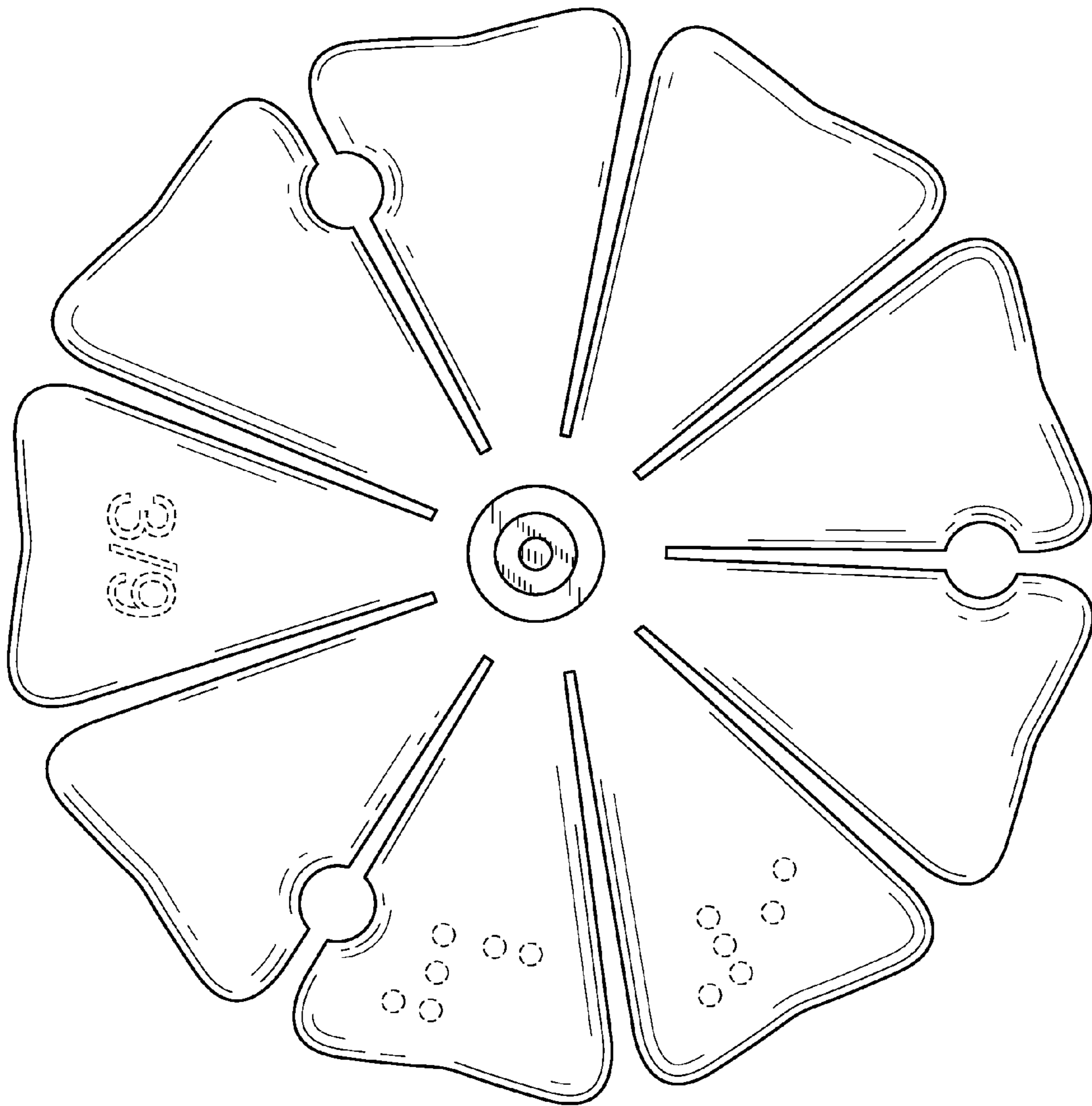


FIG. 21

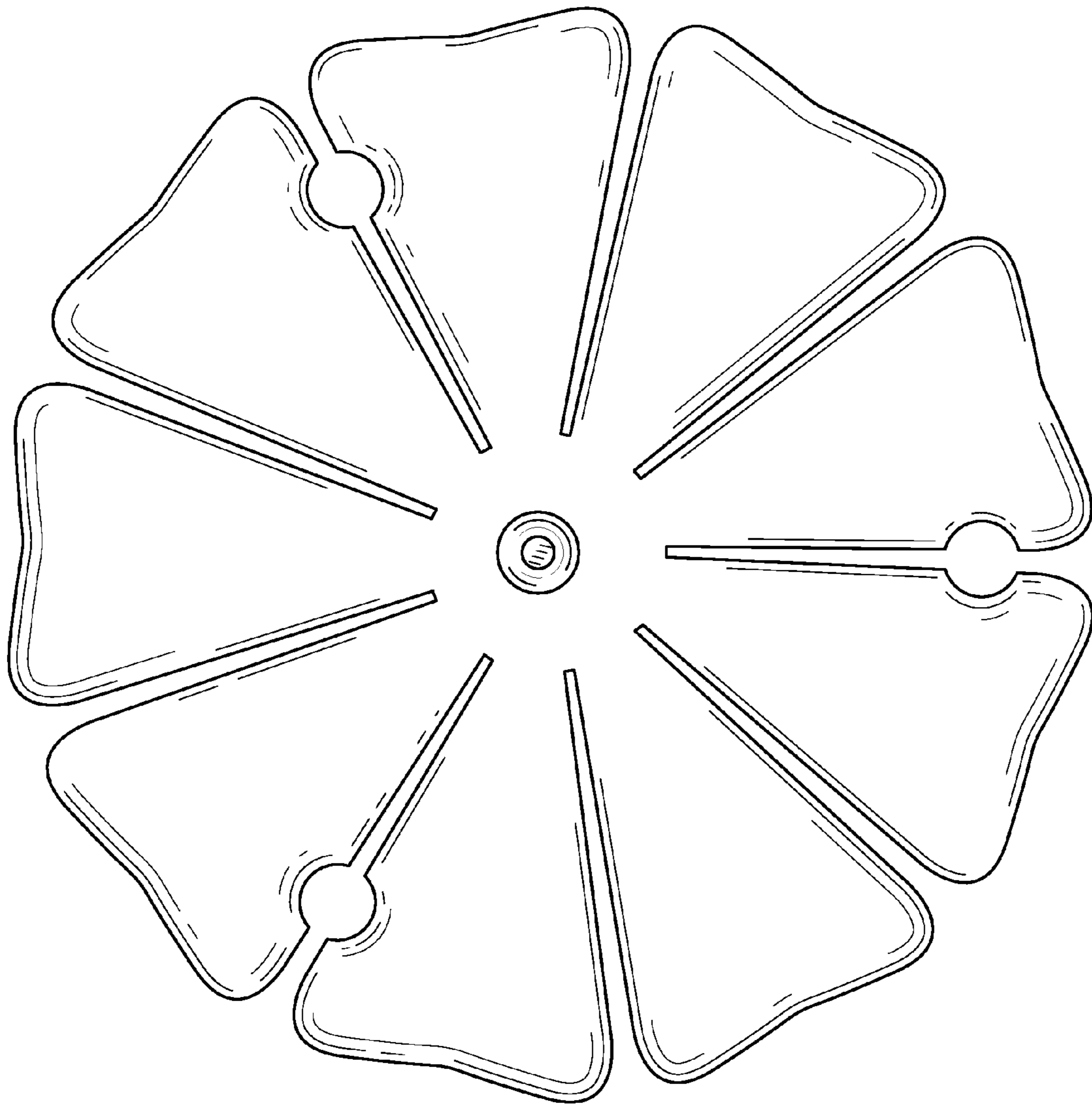


FIG.22



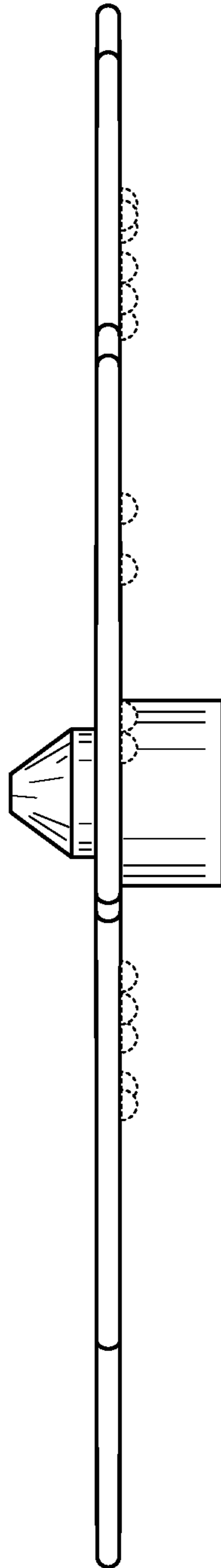


FIG. 23

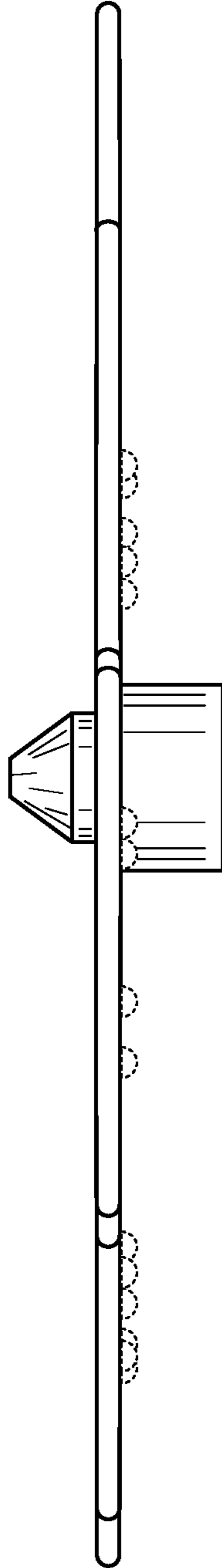


FIG. 24