



US00D732354S

(12) **United States Design Patent**
Hinds et al.

(10) **Patent No.:** **US D732,354 S**
(45) **Date of Patent:** **** Jun. 23, 2015**

- (54) **COLLAPSIBLE COLANDER**
- (71) Applicant: **Progressive International Corporation**,
Kent, WA (US)
- (72) Inventors: **Treasure Lynae Hinds**, Seattle, WA
(US); **Gregory Thomas Janky**,
Sammamish, WA (US)

5,533,638 A 7/1996 Robbins, III
 5,549,213 A 8/1996 Robbins, III et al.
 5,575,398 A 11/1996 Robbins, III
 5,584,413 A 12/1996 Jung
 5,632,406 A 5/1997 Robbins, III
 5,860,556 A 1/1999 Robbins, III

(Continued)

- (73) Assignee: **Progressive International Corporation**,
Kent, WA (US)

AU 2007200570 A1 5/2008
 CA 2245807 12/2005

(Continued)

- (**) Term: **14 Years**

FOREIGN PATENT DOCUMENTS

- (21) Appl. No.: **29/480,898**

“The Norman Collapsible Colander,” Smart Stuff, www.smartstuff.se; 2 pages, Aug. 2005.

(Continued)

- (22) Filed: **Jan. 30, 2014**

OTHER PUBLICATIONS

- (51) **LOC (10) Cl.** **07-04**

- (52) **U.S. Cl.**
USPC **D7/667**

- (58) **Field of Classification Search**
USPC D7/667, 668, 368, 669, 538–542, 584,
D7/586, 587, 400; 100/110, 113, 116, 117,
100/127, 213, 248; 210/314, 249, 480, 481,
210/464, 470–478, 497.01, 497.1, 498, 499,
210/495–497, 456, 493.3, 493.5;
99/505–510, 497, 403, 345, 324, 325,
99/339, 425, 426, 415
CPC A47J 19/00; A47J 43/24; A47J 47/20
See application file for complete search history.

Primary Examiner — Terry Wallace

(74) *Attorney, Agent, or Firm* — Lowe Graham Jones PLLC

(57) **CLAIM**

We claim the ornamental design for the collapsible colander, as shown and described.

DESCRIPTION

FIG. 1 is a perspective view of a collapsible colander, showing our new design.

FIG. 2 is a front view of the collapsible colander.

FIG. 3 is a right side view of the collapsible colander, the left side view being a mirror image.

FIG. 4 is a back view of the collapsible colander.

FIG. 5 is a top view of the collapsible colander; and,

FIG. 6 is a bottom view of the collapsible colander.

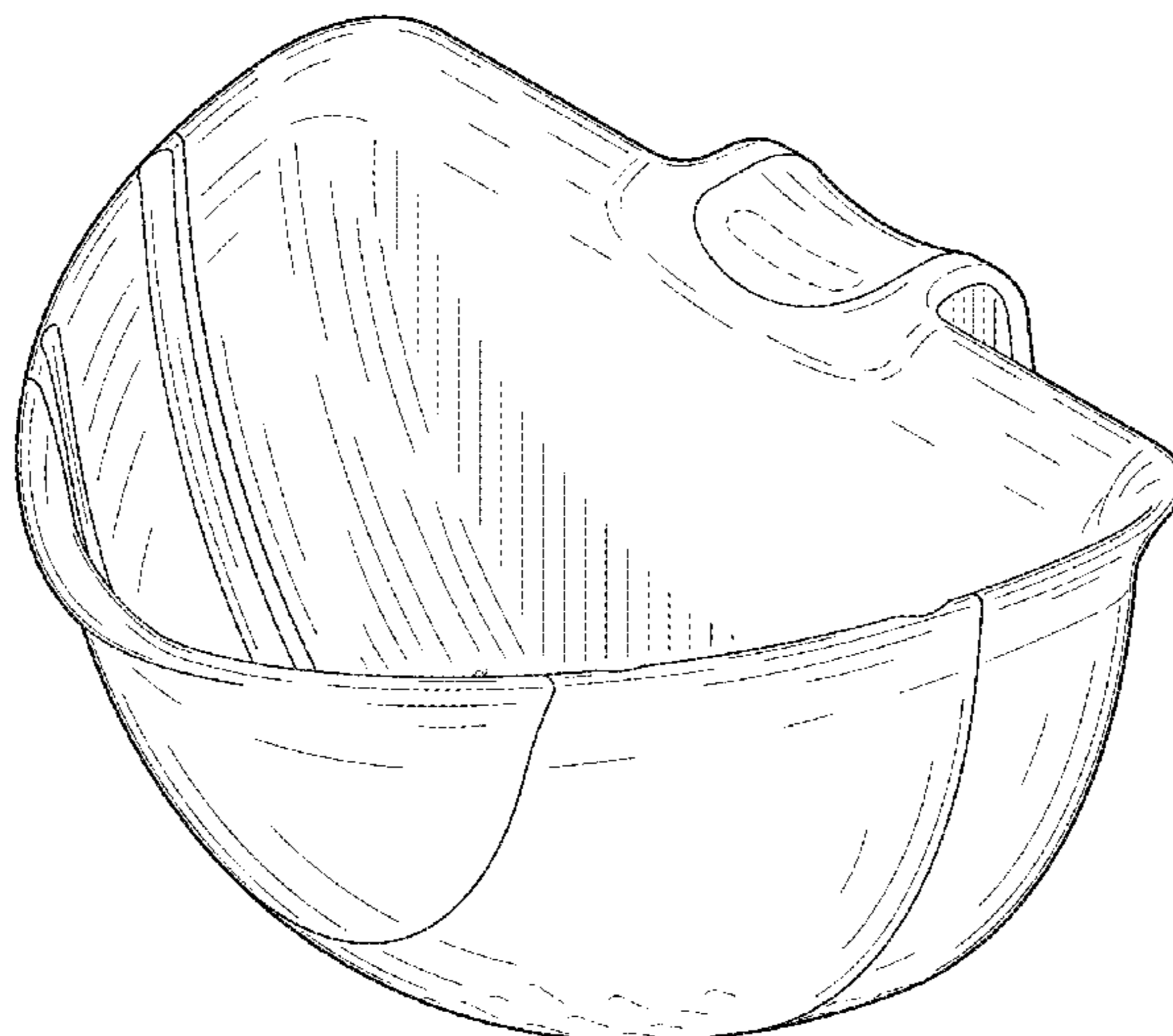
Features indicated in broken lines, including holes formed in the bottom of the collapsible colander, form no part of the claimed invention.

- (56) **References Cited**

U.S. PATENT DOCUMENTS

2,725,087 A 11/1955 Potter
 3,220,544 A 11/1965 Lovell
 4,377,191 A 3/1983 Yamaguchi
 5,226,551 A 7/1993 Robbins, III
 5,392,941 A 2/1995 Robbins, III
 5,417,337 A 5/1995 Robbins, III
 5,439,128 A 8/1995 Fishman

1 Claim, 6 Drawing Sheets



(56)

References Cited

U.S. PATENT DOCUMENTS

5,900,293 A 5/1999 Zettle
 5,911,338 A 6/1999 Miller
 5,913,448 A 6/1999 Mann et al.
 6,158,620 A 12/2000 Polan
 6,315,151 B1 11/2001 Hupp et al.
 6,364,152 B1 4/2002 Poslinski et al.
 6,547,080 B1 4/2003 Guard
 6,736,285 B2 5/2004 Stewart-Stand
 6,758,348 B2 7/2004 Adkins
 6,811,051 B2 11/2004 Higuchi
 6,949,190 B2 9/2005 Hutzler
 7,441,675 B2* 10/2008 McGinley et al. 222/210
 7,678,271 B2 3/2010 Curtin
 D625,961 S * 10/2010 Kent D7/586
 D665,234 S * 8/2012 Bagley D7/667
 D669,318 S 10/2012 Bagley
 D691,426 S * 10/2013 Brown et al. D7/667
 2005/0127073 A1 6/2005 Kusuma et al.
 2005/0127074 A1 6/2005 Kusuma et al.

2006/0096929 A1 5/2006 Repp et al.
 2007/0181489 A1 8/2007 Lee
 2007/0251874 A1 11/2007 Stewart
 2012/0285879 A1* 11/2012 Housley 210/249

FOREIGN PATENT DOCUMENTS

CA 2602047 9/2008
 CA 2602253 12/2008
 CN 201119807 9/2008
 CN 201160796 12/2008
 CN 201167889 12/2008
 EP 0719708 A1 7/1996
 EP 1764017 A1 3/2007
 EP 1917890 A1 5/2008
 WO 2009023892 A1 2/2009

OTHER PUBLICATIONS

“Prepology Set of 3 Silicone Collapsible Colanders,” QVC, <http://www.qvc.com/scripts/detail.dll>, 5 pages, Printed Jul. 5, 2006.

* cited by examiner

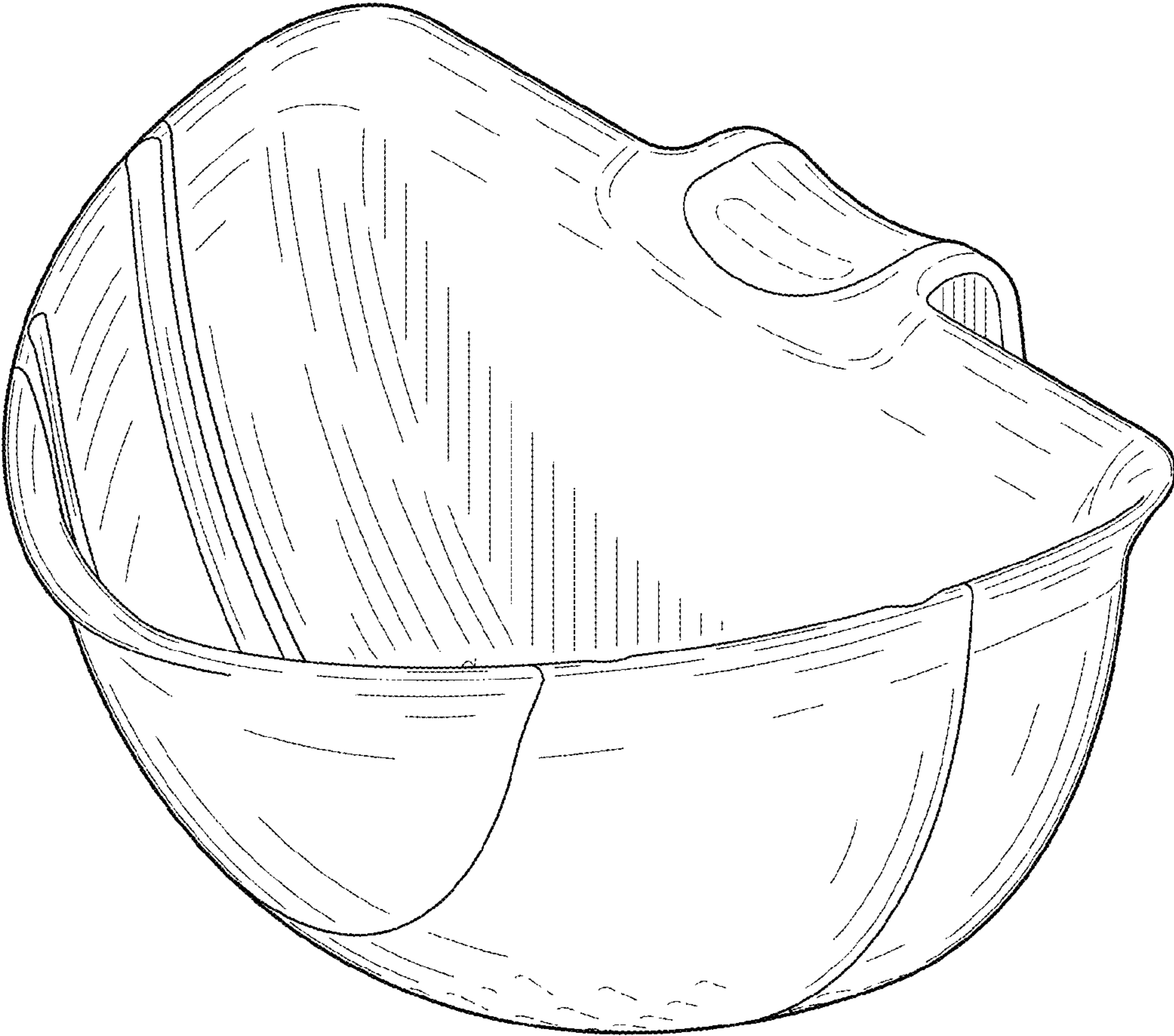


FIG. 1

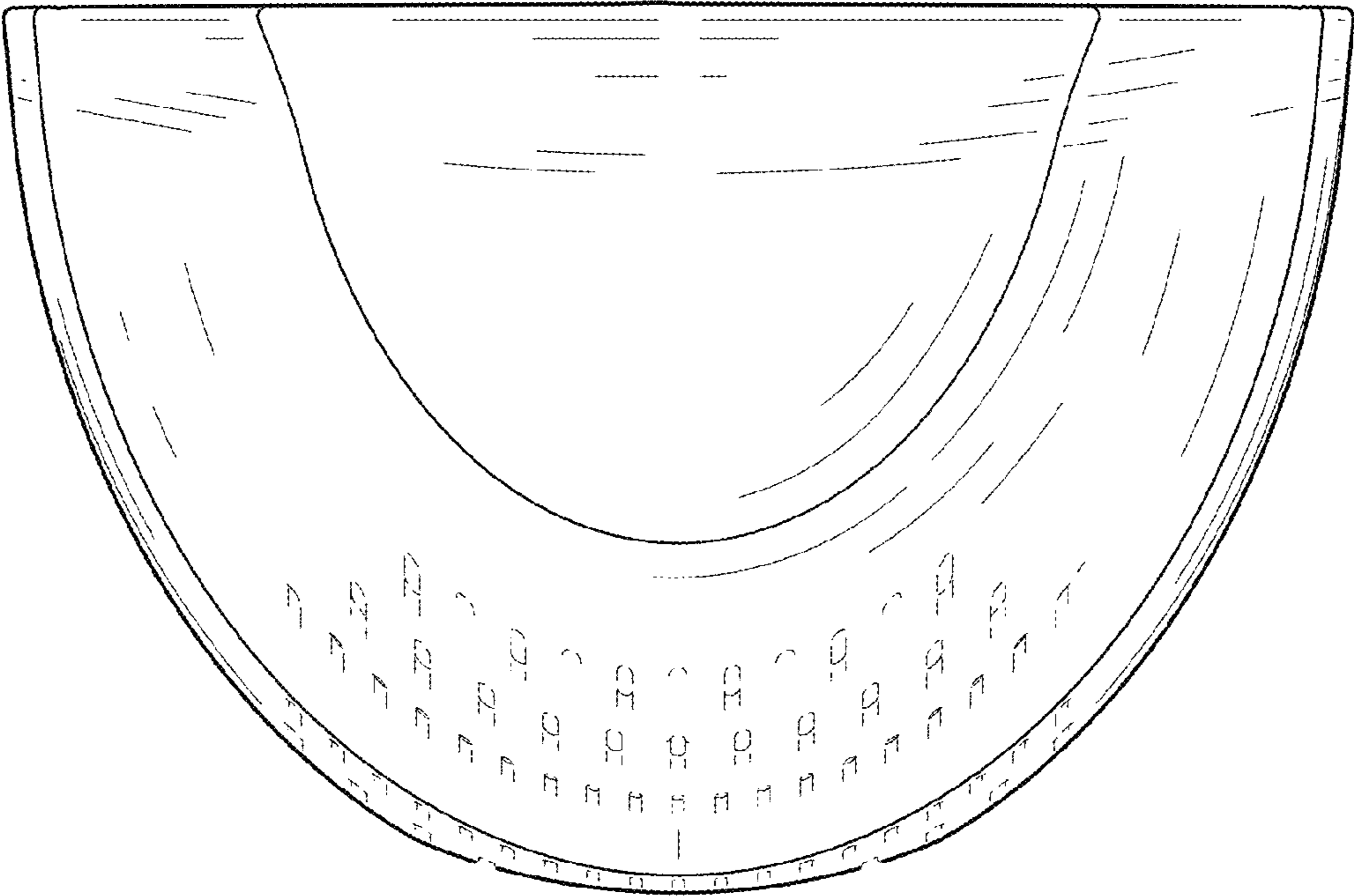


FIG.2

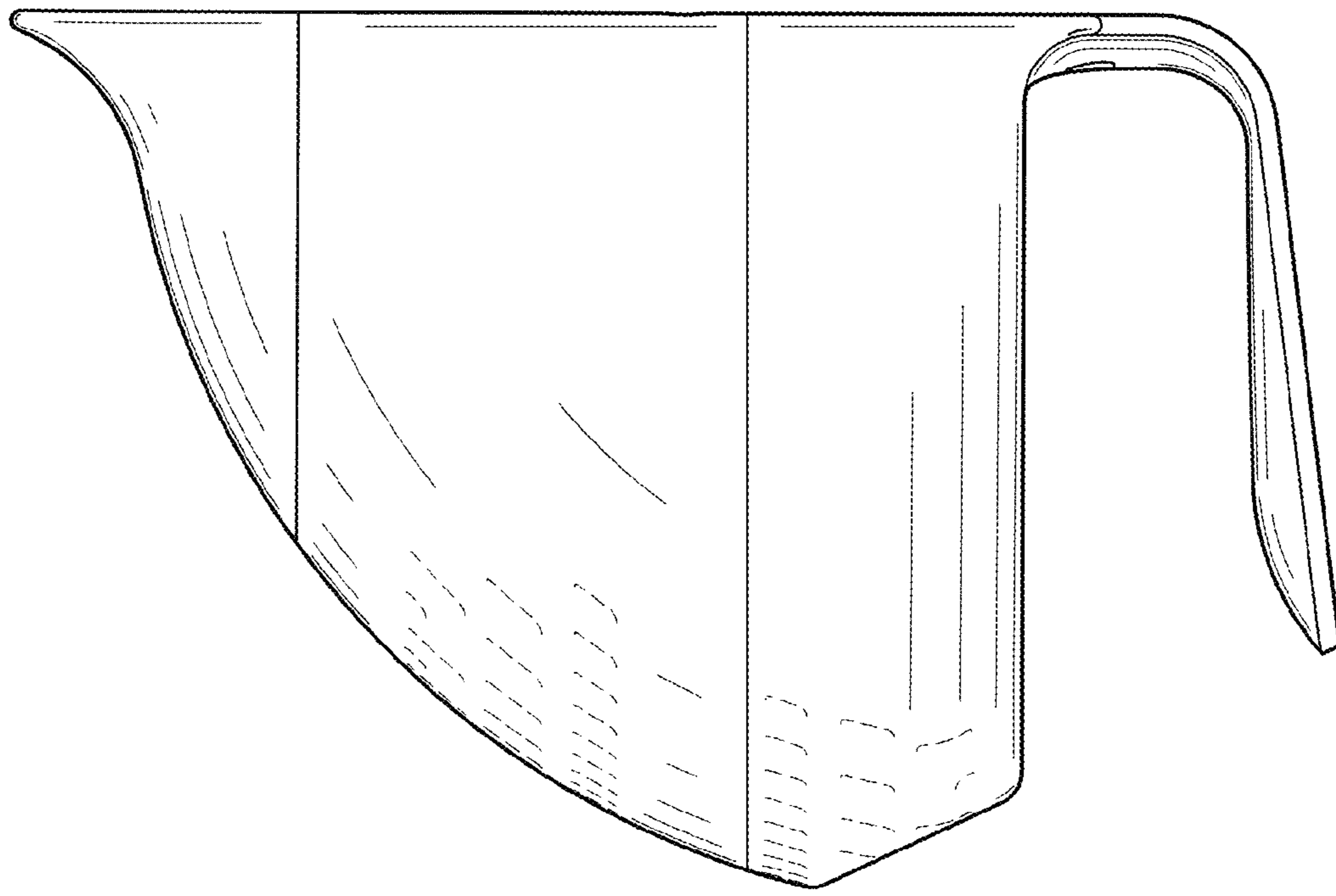


FIG. 3

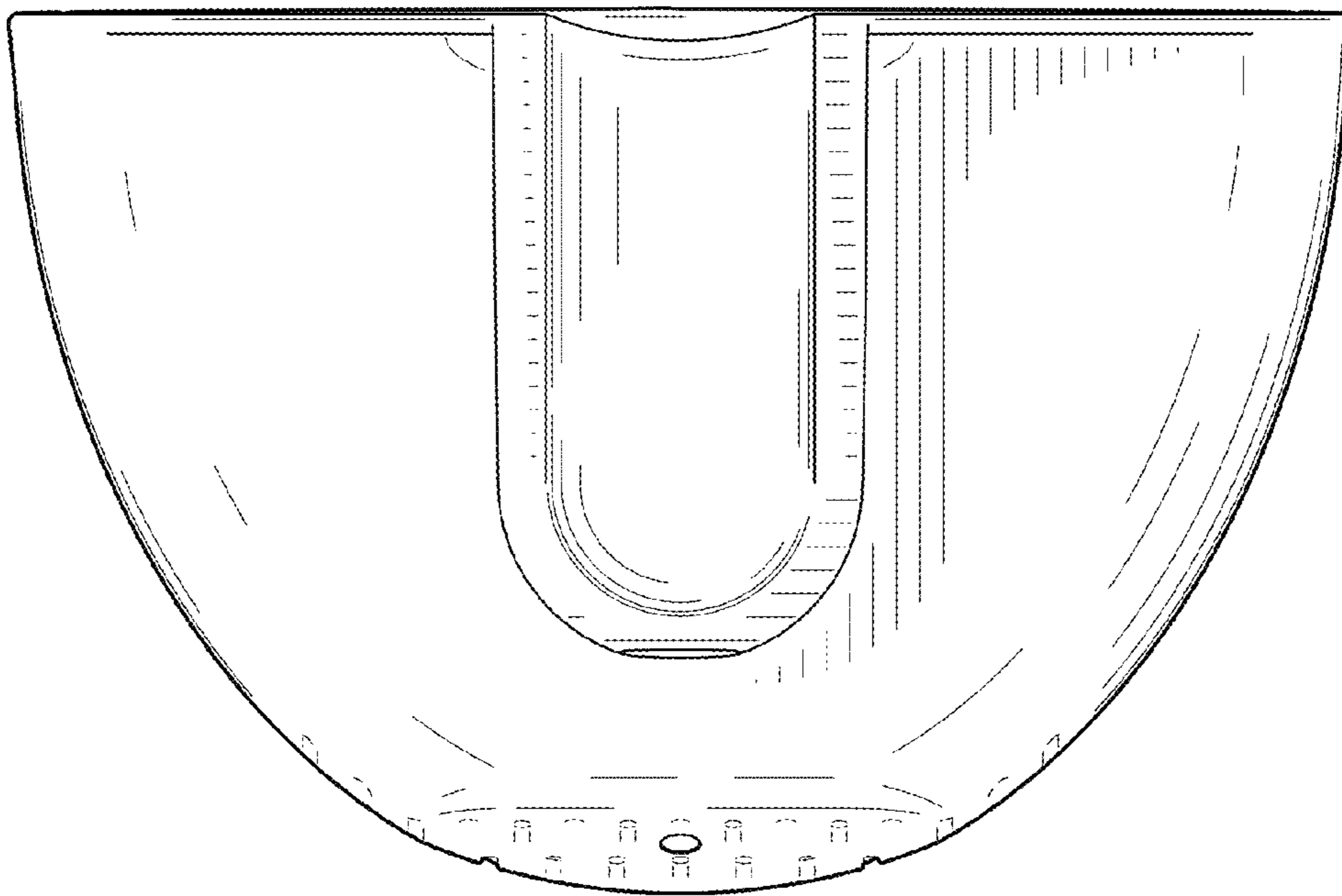


FIG.4

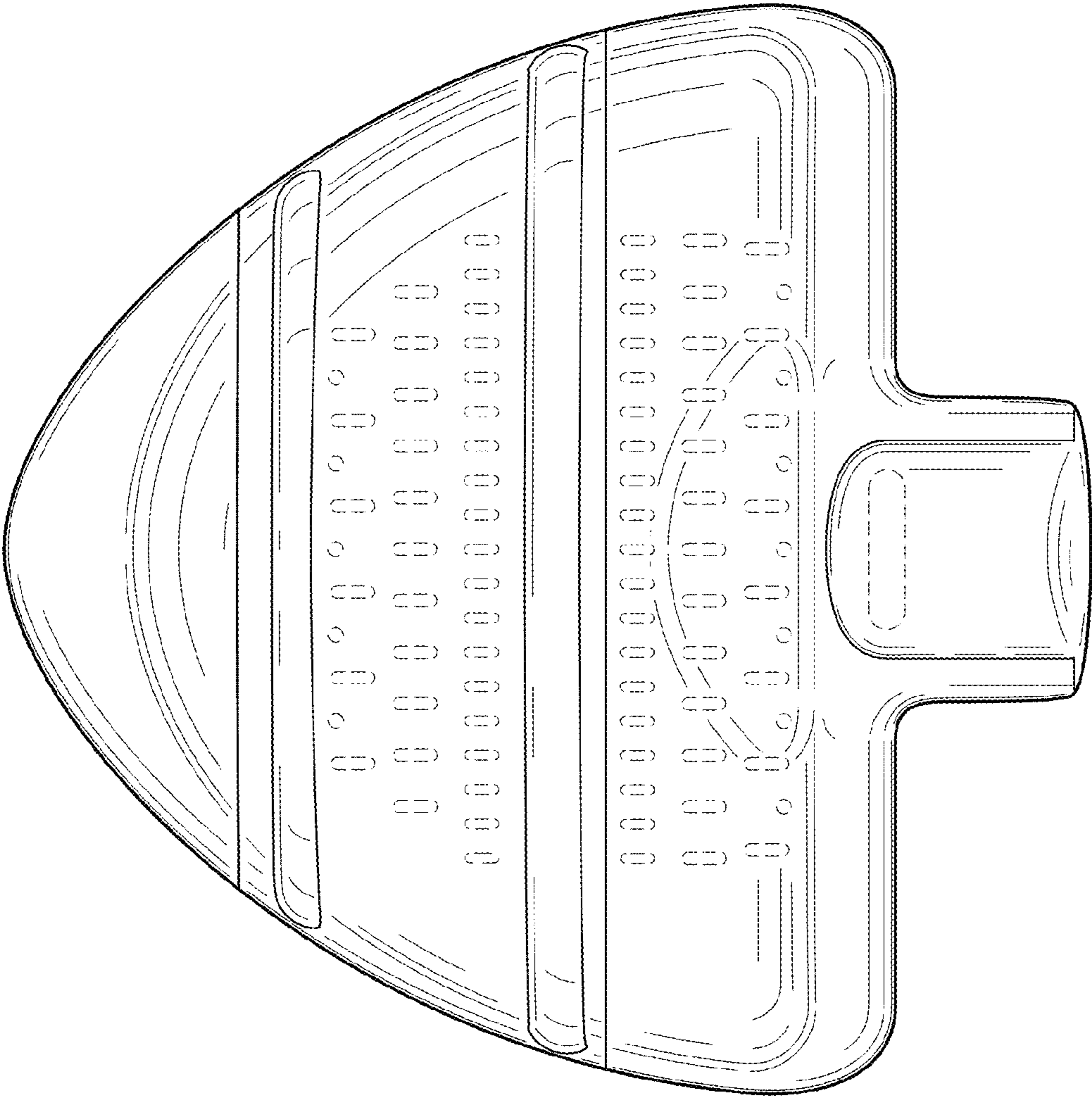


FIG.5

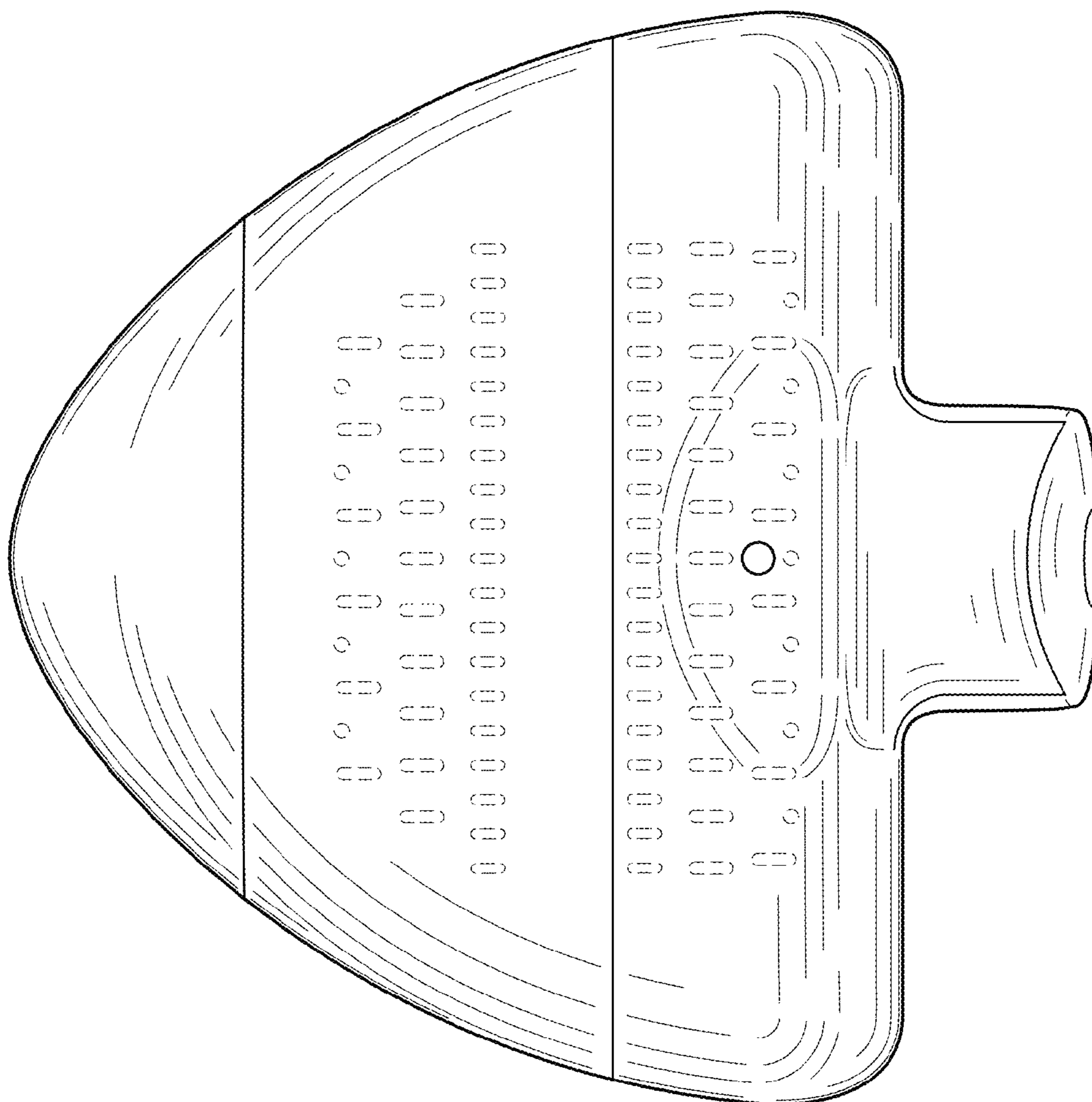


FIG.6