



US00D732353S

(12) **United States Design Patent**
Wong

(10) **Patent No.:** **US D732,353 S**
(45) **Date of Patent:** **** Jun. 23, 2015**

(54) **SALAD SPINNER HOUSING**
(71) Applicant: **Yan Kwong Wong**, Hong Kong (HK)
(72) Inventor: **Yan Kwong Wong**, Hong Kong (HK)
(**) Term: **14 Years**
(21) Appl. No.: **29/479,488**
(22) Filed: **Jan. 16, 2014**

5,064,535 A * 11/1991 Hsu 99/495
5,904,090 A * 5/1999 Lillelund et al. 99/495
D507,939 S * 8/2005 Mitchell, Jr. D7/629
D538,604 S * 3/2007 de Groote D7/665
D603,226 S * 11/2009 Hood et al. D7/665
D608,603 S * 1/2010 Hauser D7/665
D609,981 S * 2/2010 Jossem et al. D7/665
D672,211 S * 12/2012 Nie D7/665

* cited by examiner

Primary Examiner — Terry Wallace

(30) **Foreign Application Priority Data**
Jul. 16, 2013 (HK) 1301187
(51) **LOC (10) Cl.** **07-04**
(52) **U.S. Cl.**
USPC **D7/665**
(58) **Field of Classification Search**
USPC D7/665, 368, 667–668, 669, 538, 540;
34/58; 99/479, 495, 511–513; 241/166,
241/169; 210/474, 477, 360.1, 380.1
CPC F26B 5/08; A47J 43/24; A47J 47/005
See application file for complete search history.

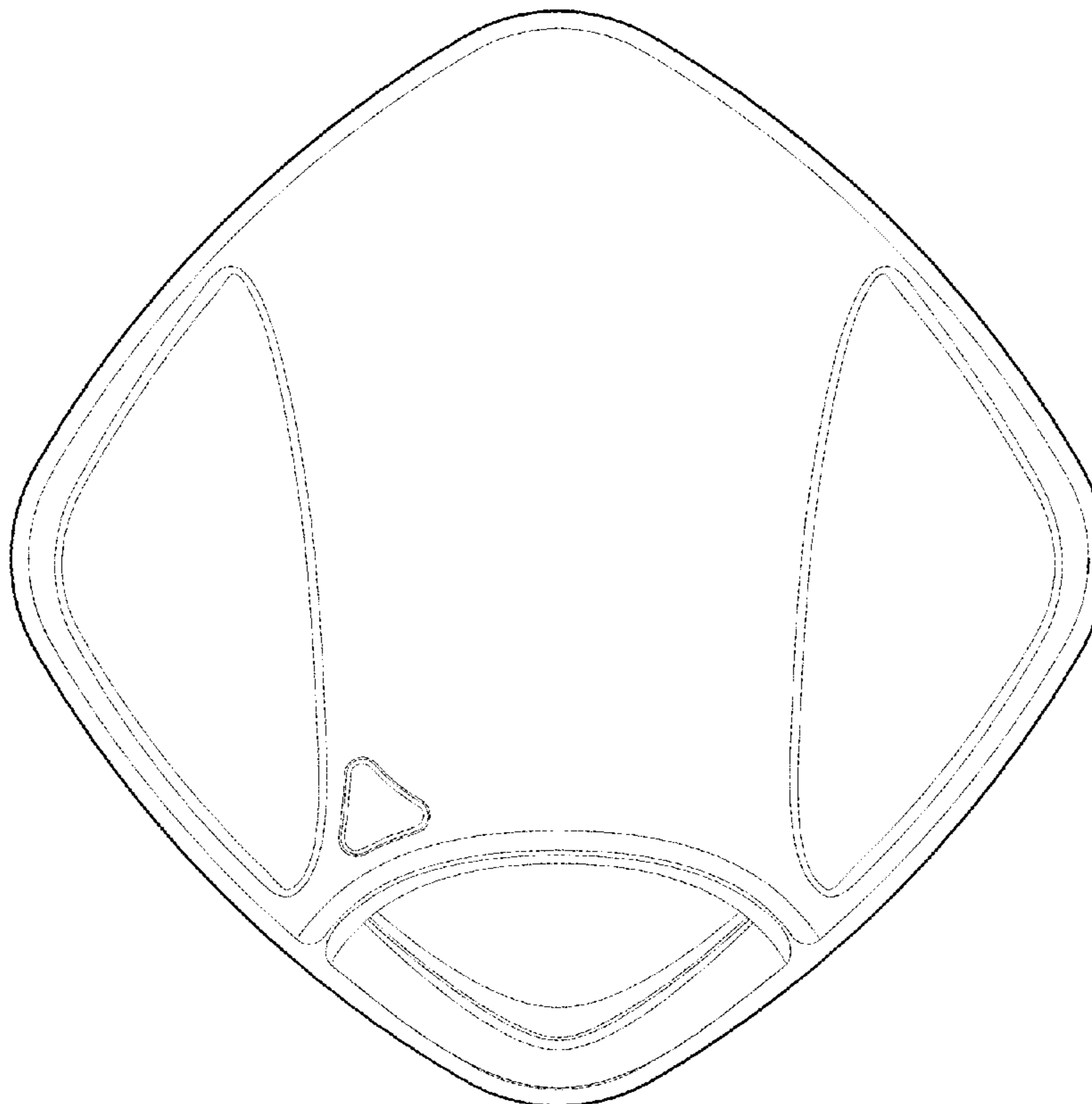
(57) **CLAIM**
The ornamental design for a salad spinner housing, as shown and described.

(56) **References Cited**
U.S. PATENT DOCUMENTS
3,885,321 A * 5/1975 Fouinetau 34/58
4,209,916 A * 7/1980 Doyel 34/58

DESCRIPTION

FIG. 1 is a front view of a salad spinner housing showing my new design;
FIG. 2 is a rear view of the salad spinner housing;
FIG. 3 is a left side view of the salad spinner housing;
FIG. 4 is a right side view of the salad spinner housing;
FIG. 5 is a top view of the salad spinner housing;
FIG. 6 is a bottom view of the salad spinner housing; and,
FIG. 7 is a top perspective view of the salad spinner housing.

1 Claim, 5 Drawing Sheets



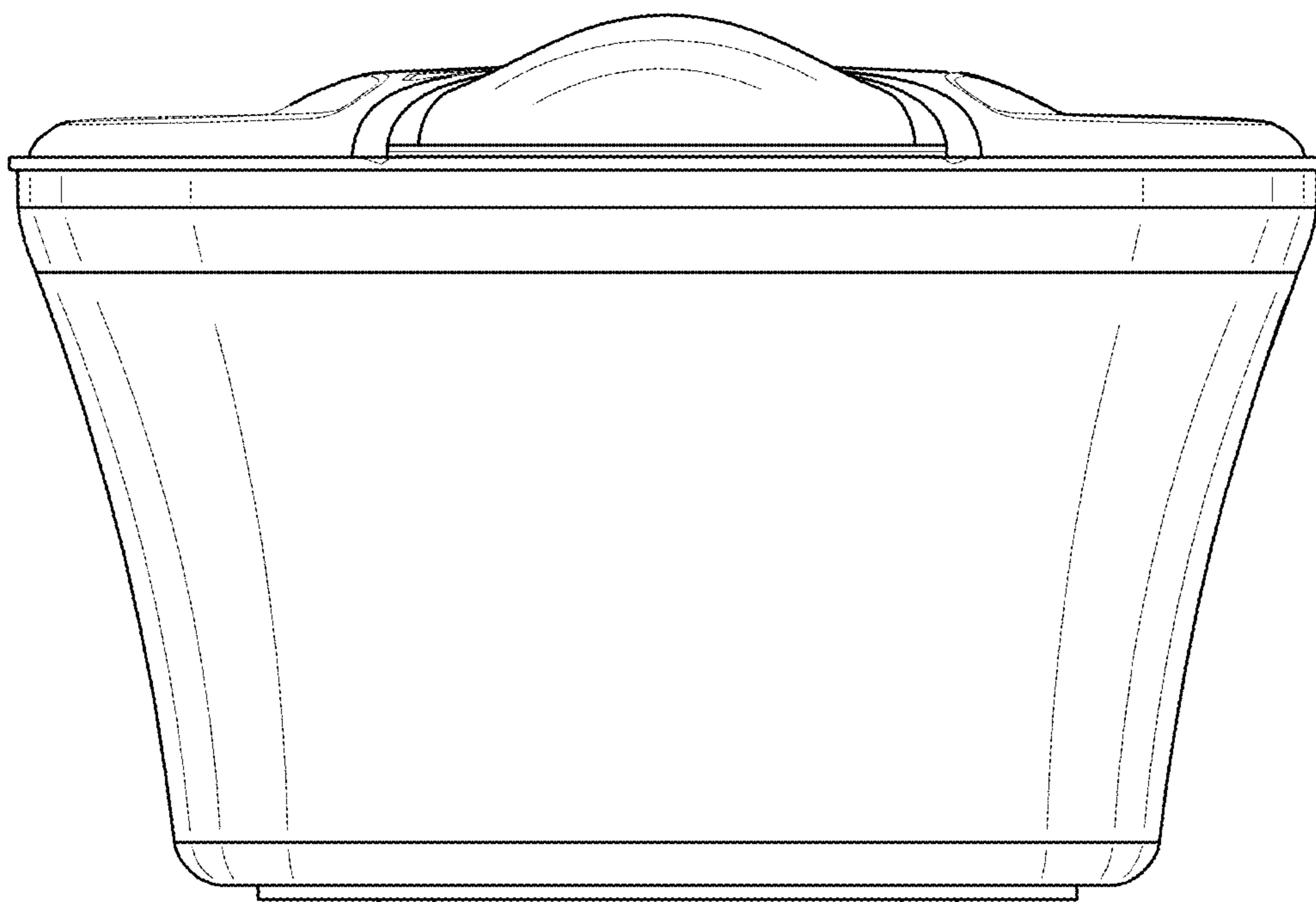


FIG. 1

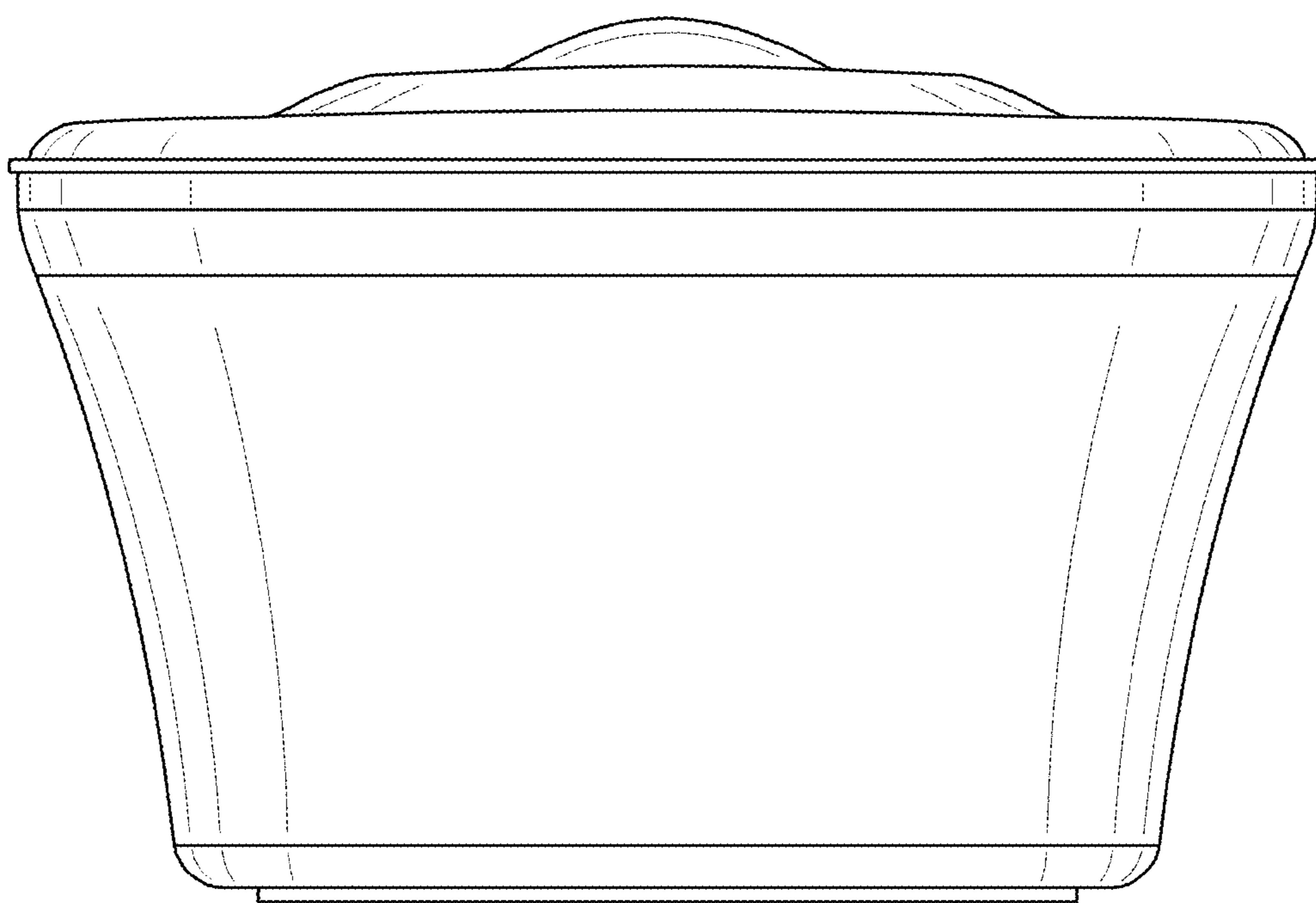


FIG. 2

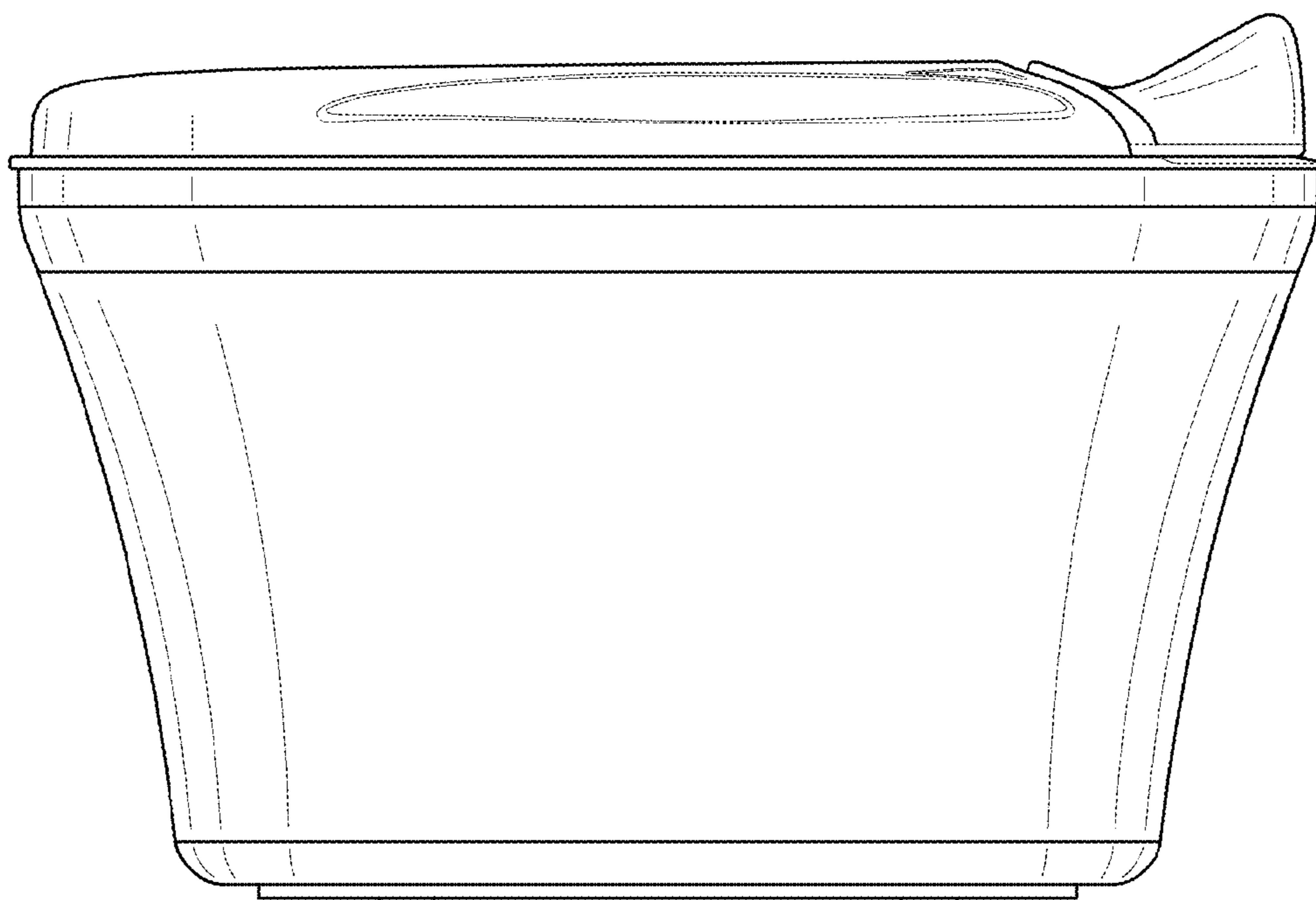


FIG. 3

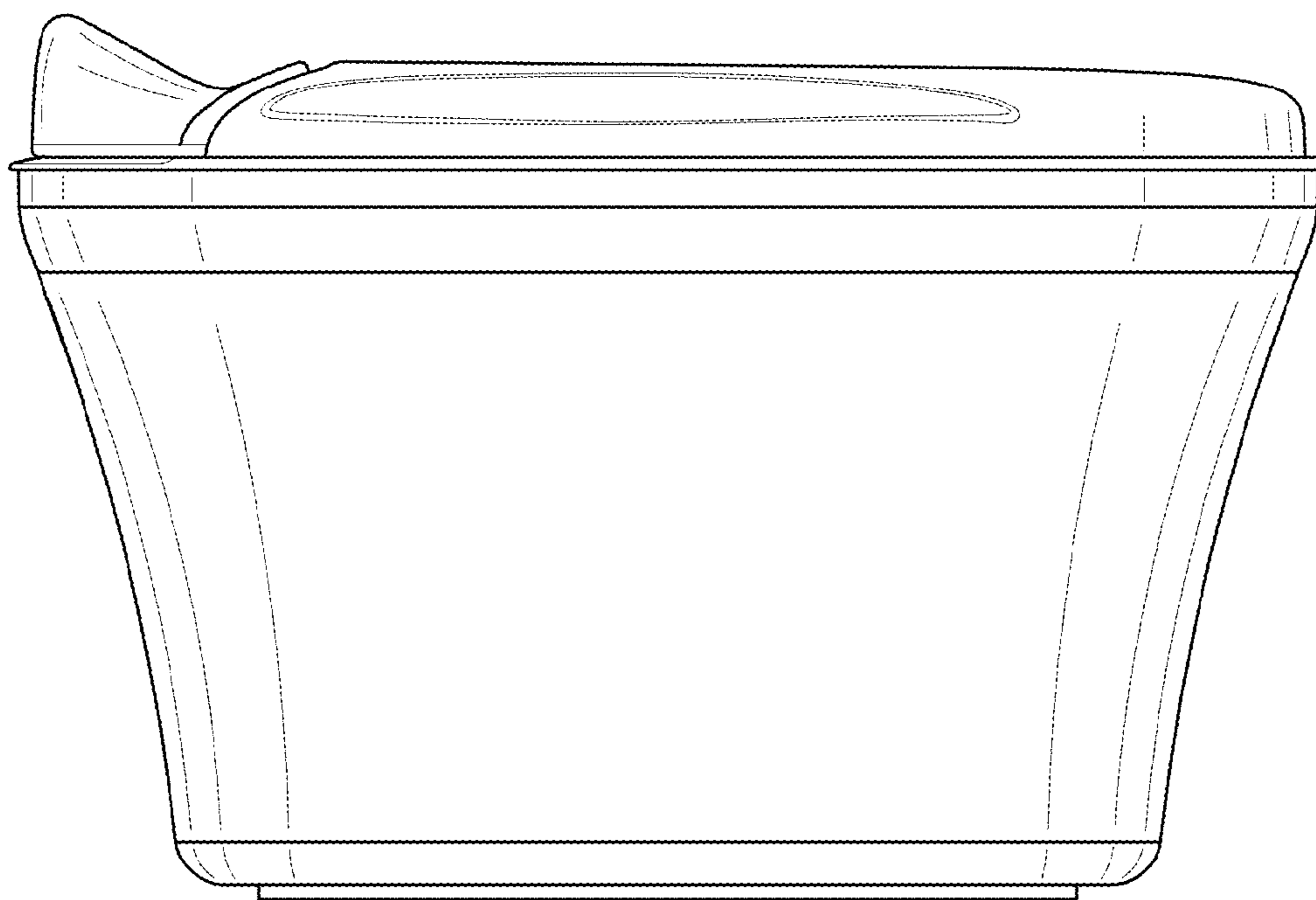


FIG. 4

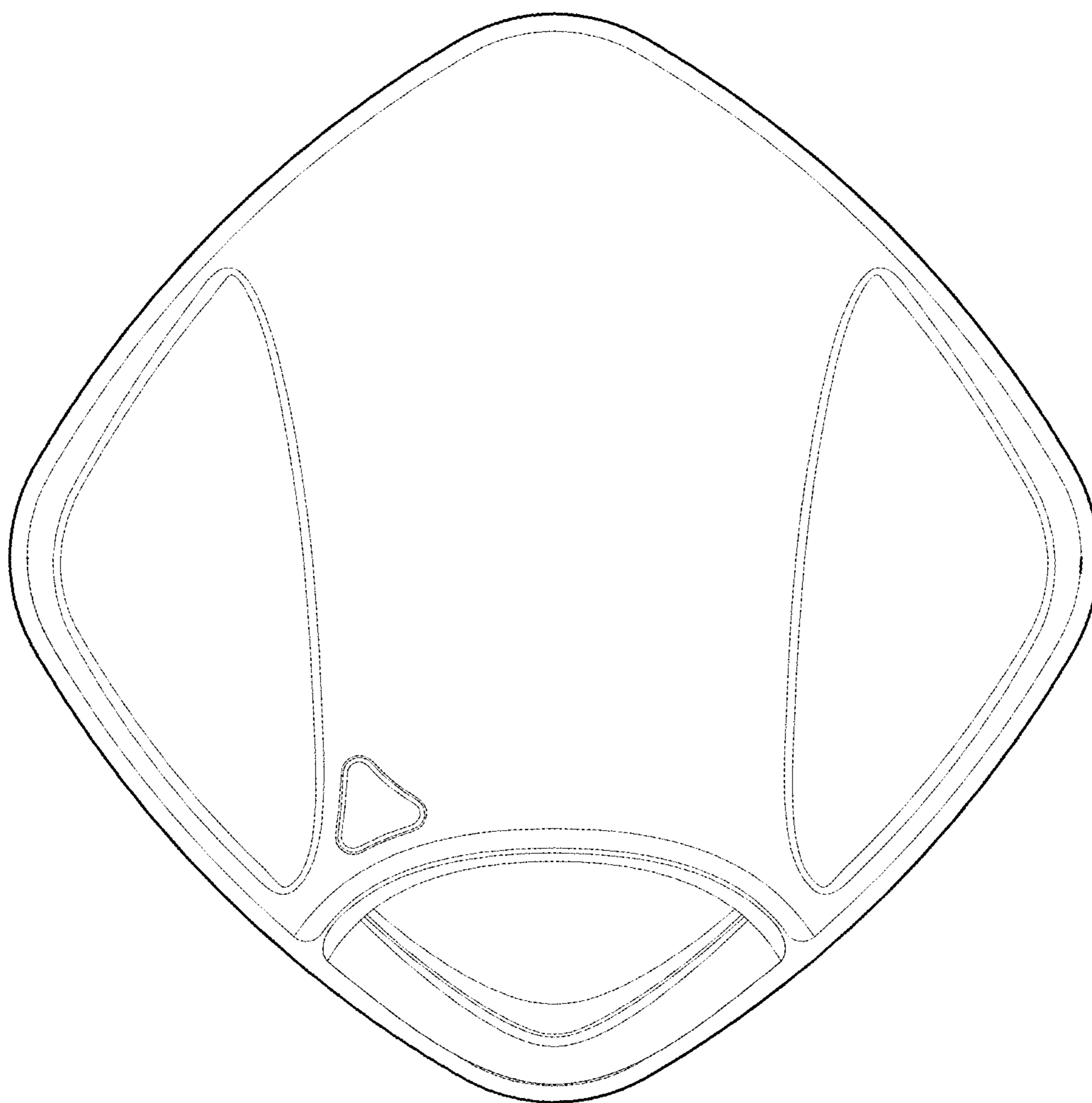


FIG. 5

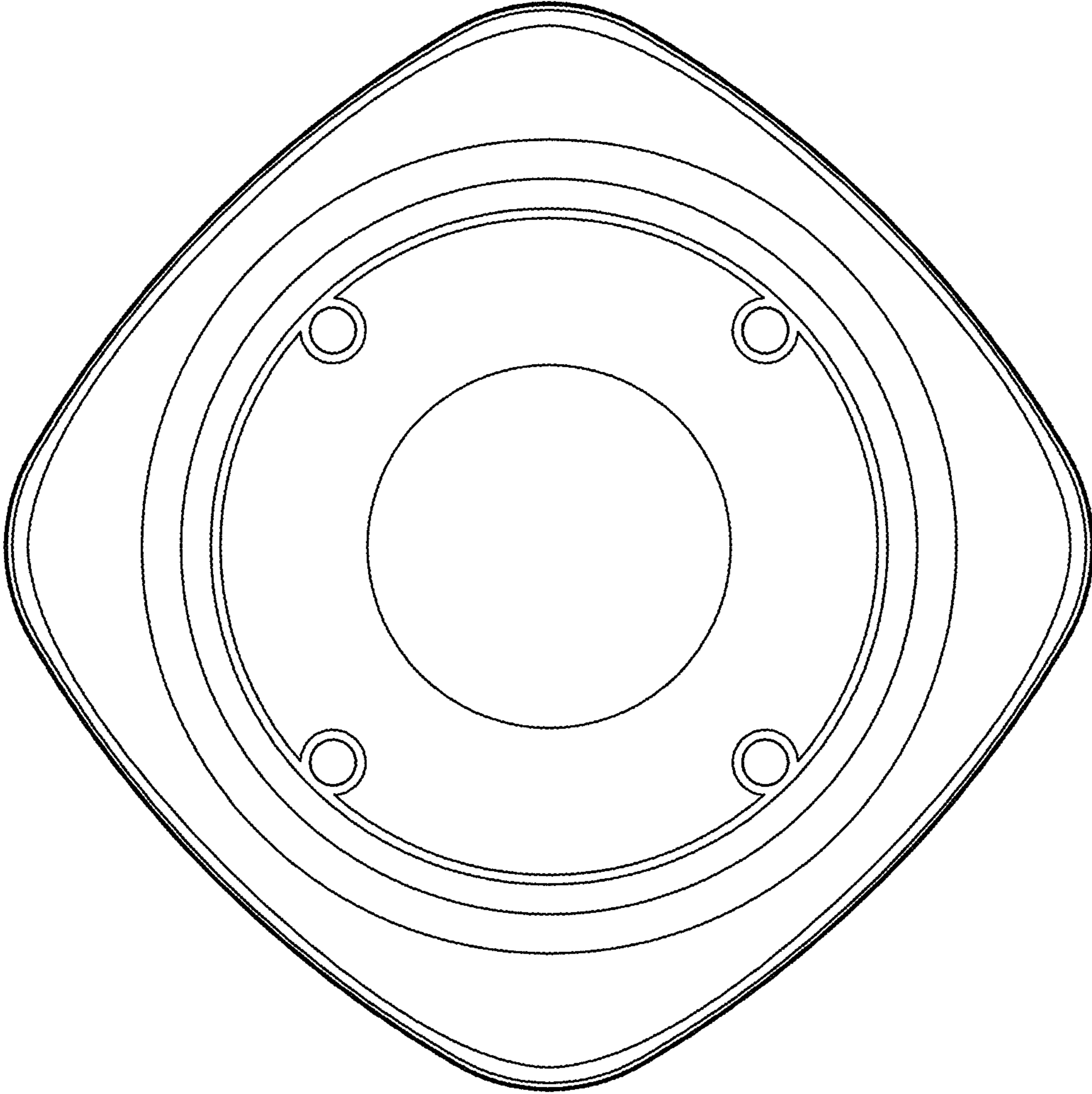


FIG. 6

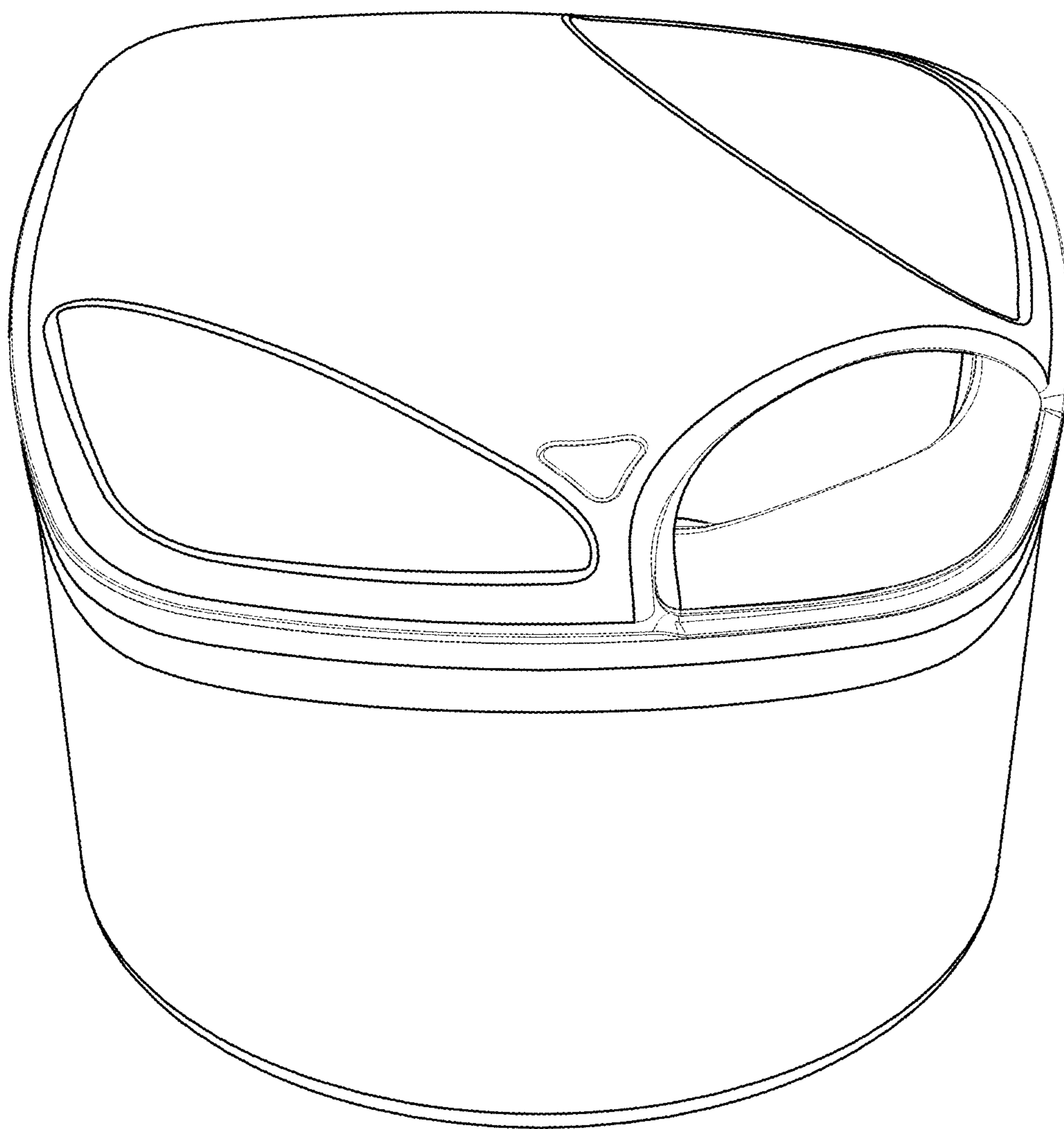


FIG. 7