



US00D732348S

(12) **United States Design Patent**
Seiders et al.

(10) **Patent No.:** **US D732,348 S**
(45) **Date of Patent:** **** Jun. 23, 2015**

- (54) **INSULATING DEVICE**
- (71) Applicant: **YETI Coolers, LLC**, Austin, TX (US)
- (72) Inventors: **Roy Joseph Seiders**, Austin, TX (US);
Christopher M. Keller, Austin, TX (US)
- (73) Assignee: **YETI Coolers, LLC**, Austin, TX (US)
- (**) Term: **14 Years**
- (21) Appl. No.: **29/481,624**
- (22) Filed: **Feb. 7, 2014**
- (51) **LOC (10) Cl.** **07-01**
- (52) **U.S. Cl.**
USPC **D7/607**; D3/246
- (58) **Field of Classification Search**
USPC D7/605-607; D3/201, 229, 233, 246,
D3/202, 232, 276, 272, 273, 283-287;
383/88, 89, 109, 110, 113, 97, 6, 24, 2,
383/7, 10, 71-74, 98, 95; 206/545;
220/592.2, 592.03; 150/100, 103-105,
150/107, 110, 114, 118, 119; 190/100,
190/103-106, 109, 115, 903;
62/457.1-457.9, 529, 530
CPC B65D 81/3886; B65D 81/3858; B65D
30/02; B65D 33/14; B65D 30/16; A45C
7/0077; A45C 11/20; A45C 13/02; F25D 3/08
See application file for complete search history.

2,661,785 A 12/1953 Daust
2,954,891 A 10/1960 Imber
3,066,846 A 12/1962 Domigan

(Continued)

FOREIGN PATENT DOCUMENTS

BE 1015808 A6 9/2005
CA 2300014 A1 8/2001

(Continued)

OTHER PUBLICATIONS

“Stopper Dry Bag”, <http://www.seatosummit.com/products/display/181>, published date unknown, but prior to the filing date of the present application, Sea To Summit, United States.

(Continued)

Primary Examiner — Terry Wallace

(74) *Attorney, Agent, or Firm* — Banner & Witcoff, Ltd.

(57) **CLAIM**

The ornamental design for an insulating device, as shown and described.

DESCRIPTION

FIG. 1 is a top, front, left perspective view of an insulating device showing our new design;
FIG. 2 is a front view thereof;
FIG. 3 is a rear view thereof;
FIG. 4 is a right side view thereof;
FIG. 5 is a left side view thereof;
FIG. 6 is a top view thereof; and,
FIG. 7 is a bottom view thereof.

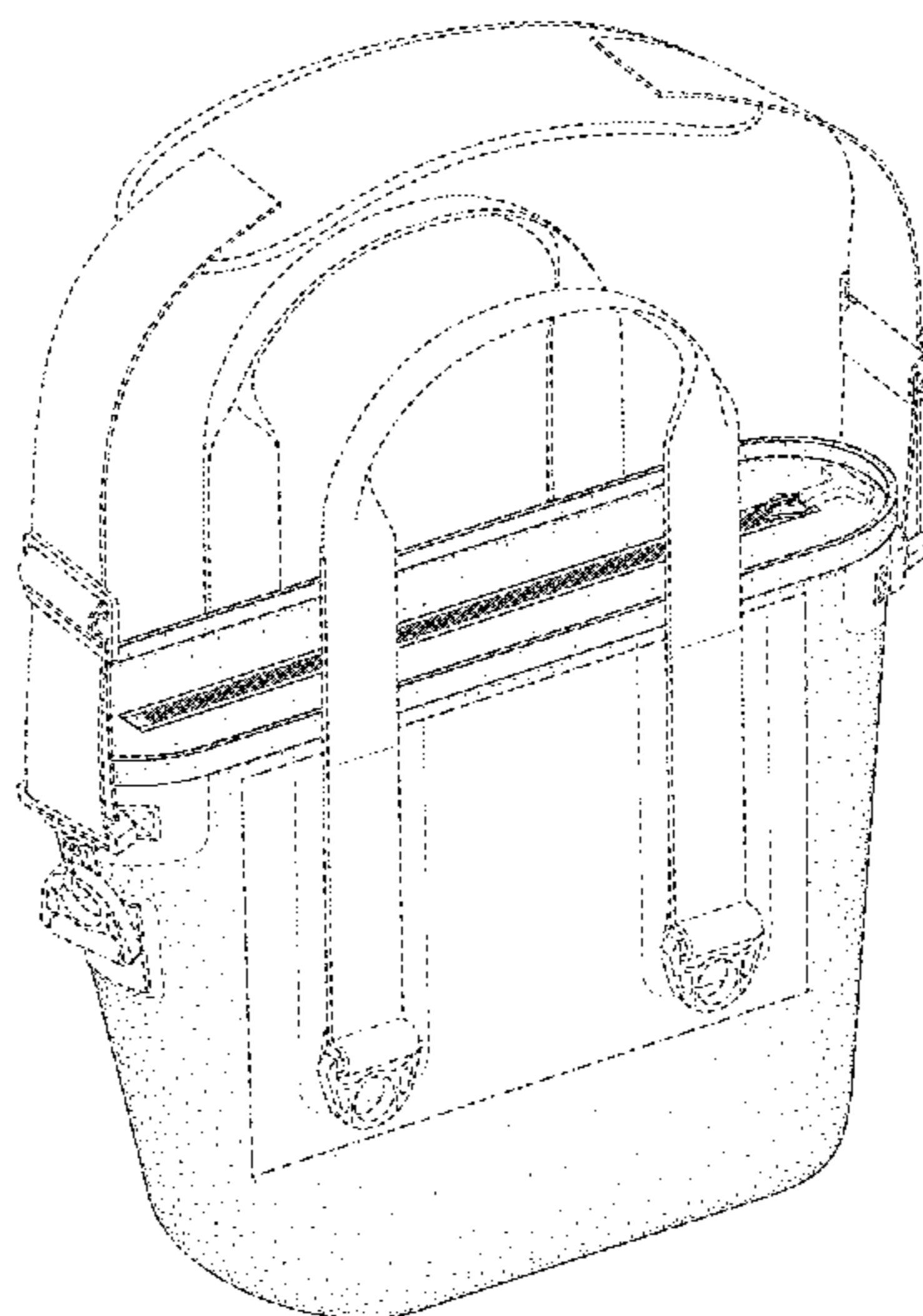
The uneven-length broken lines represent unclaimed boundaries of the claimed design. The even-length broken lines showing the remainder of the insulating device are for environmental purposes only and form no part of the claimed design. The stipple shading in the drawings is a drawing convention to represent curvature, it does not illustrate material, surface ornamentation, or surface decoration.

1 Claim, 5 Drawing Sheets

(56) **References Cited**

U.S. PATENT DOCUMENTS

457,133 A 8/1891 Rosback
2,119,621 A 6/1938 Ferrone
2,289,254 A 7/1942 Eagles
2,522,381 A 9/1950 Kramer
2,575,191 A 11/1951 Seipp



(56)

References Cited

U.S. PATENT DOCUMENTS

3,814,288 A	6/1974	Westrich	5,857,778 A	1/1999	Ells
3,905,511 A	9/1975	Groendal	5,909,821 A	6/1999	Guridi
4,194,627 A	3/1980	Christensen	5,913,448 A	6/1999	Mann et al.
4,196,817 A	4/1980	Moser	5,915,580 A	6/1999	Melk
4,197,890 A	4/1980	Simko	5,931,583 A	8/1999	Collie
4,211,091 A	7/1980	Campbell	5,964,384 A *	10/1999	Young 224/153
4,248,366 A	2/1981	Christiansen	5,988,468 A	11/1999	Murdoch et al.
4,344,303 A	8/1982	Kelly, Jr.	5,988,879 A	11/1999	Bredderman et al.
4,372,453 A	2/1983	Branscum	6,019,245 A	2/2000	Foster et al.
4,375,828 A	3/1983	Biddison	6,027,249 A	2/2000	Bielinski
4,399,668 A	8/1983	Williamson	6,029,847 A	2/2000	Mahoney, Jr. et al.
4,468,933 A	9/1984	Christopher	6,059,140 A	5/2000	Hicks
4,513,895 A	4/1985	Leslie	6,065,873 A	5/2000	Fowler
4,537,313 A	8/1985	Workman	6,068,402 A	5/2000	Freese et al.
4,541,540 A	9/1985	Gretz et al.	6,073,796 A	6/2000	Mogil
4,571,338 A	2/1986	Okonogi et al.	6,082,589 A	7/2000	Ash et al.
4,595,101 A	6/1986	Rivera	6,082,896 A	7/2000	Pulli
4,596,370 A	6/1986	Adkins	6,092,266 A	7/2000	Lee
4,598,746 A	7/1986	Rabinowitz	6,128,915 A	10/2000	Wagner
4,679,242 A	7/1987	Brockhaus	6,145,715 A	11/2000	Slonim
4,708,254 A	11/1987	Byrns	6,220,473 B1	4/2001	Lehman et al.
4,746,028 A	5/1988	Bagg	6,253,570 B1	7/2001	Lustig
4,759,077 A	7/1988	Leslie	6,276,579 B1	8/2001	DeLoach
4,765,476 A	8/1988	Lee	6,286,709 B1	9/2001	Hudson
4,796,937 A	1/1989	Andrea	6,296,134 B1	10/2001	Cardinale
4,802,344 A	2/1989	Livingston et al.	6,296,165 B1	10/2001	Mears
4,802,602 A	2/1989	Evans et al.	6,336,577 B1	1/2002	Harris et al.
4,812,054 A	3/1989	Kirkendall	6,409,066 B1	6/2002	Schneider et al.
4,858,444 A	8/1989	Scott	6,422,032 B1	7/2002	Greene
4,867,214 A	9/1989	Fuller	D465,134 S	11/2002	Joss
4,886,183 A	12/1989	Fleming	6,481,239 B2	11/2002	Hodosh et al.
4,941,603 A	7/1990	Creamer et al.	6,495,194 B2	12/2002	Sato et al.
4,961,522 A *	10/1990	Weber 224/585	6,505,479 B2	1/2003	Defelice et al.
4,984,906 A	1/1991	Little	6,511,695 B1	1/2003	Paquin et al.
4,986,089 A	1/1991	Raab	6,554,155 B1	4/2003	Beggins
4,989,418 A	2/1991	Hewlett	6,582,124 B2 *	6/2003	Mogil 383/110
5,005,679 A	4/1991	Hjelle	6,595,687 B2	7/2003	Godshaw et al.
5,042,664 A	8/1991	Shyr et al.	6,604,649 B1	8/2003	Campi
5,048,734 A	9/1991	Long	6,605,311 B2	8/2003	Villagran et al.
5,062,557 A	11/1991	Mahvi et al.	6,619,447 B1	9/2003	Garcia, III et al.
5,190,376 A	3/1993	Book	6,629,430 B2	10/2003	Mills et al.
5,216,900 A	6/1993	Jones	6,652,933 B2	11/2003	Hall
5,221,016 A	6/1993	Karpal	6,655,543 B2	12/2003	Beuke
5,237,838 A	8/1993	Merritt-Munson	6,729,758 B1	5/2004	Carter
D340,387 S	10/1993	Melk	6,799,693 B2	10/2004	Meza
D340,840 S	11/1993	Melk	6,874,356 B2	4/2005	Kornfeldt et al.
5,269,368 A	12/1993	Schneider et al.	7,153,025 B1	12/2006	Jackson et al.
D343,992 S	2/1994	Melk	7,162,890 B2	1/2007	Mogil et al.
5,297,870 A	3/1994	Weldon	7,201,285 B2	4/2007	Beggins
5,313,807 A	5/1994	Owen	7,219,814 B2	5/2007	Lown et al.
5,325,991 A	7/1994	Williams	7,240,513 B1	7/2007	Conforti
5,354,131 A	10/1994	Mogil	7,264,134 B2	9/2007	Tulp
5,398,848 A	3/1995	Padamsee	7,302,810 B2	12/2007	McCrary
5,400,610 A	3/1995	Macedo	7,313,927 B2	1/2008	Barker
5,403,095 A	4/1995	Melk	7,344,028 B2	3/2008	Hanson
5,421,172 A	6/1995	Jones	7,481,065 B2	1/2009	Krieger
5,447,764 A	9/1995	Langford	7,597,478 B2	10/2009	Pruchnicki et al.
5,490,396 A *	2/1996	Morris 62/457.2	7,634,919 B2	12/2009	Bernhard, Jr. et al.
D371,052 S	6/1996	Melk	7,682,080 B2	3/2010	Mogil
5,529,217 A	6/1996	Siegel	D618,966 S	7/2010	Koehler et al.
D373,515 S	9/1996	Melk	D619,423 S	7/2010	Koehler et al.
5,562,228 A	10/1996	Ericson	D619,854 S	7/2010	Koehler et al.
5,564,568 A	10/1996	Rankin, Sr.	D619,855 S	7/2010	Koehler et al.
5,569,401 A	10/1996	Gilliland et al.	D620,707 S *	8/2010	Mogil D3/246
5,595,320 A	1/1997	Aghassipour	7,784,759 B2	8/2010	Farrell
5,680,944 A	10/1997	Rueter	7,811,620 B2	10/2010	Merrill et al.
5,680,958 A	10/1997	Mann et al.	7,815,069 B1	10/2010	Bellofatto et al.
5,687,874 A	11/1997	Omori et al.	7,900,816 B2	3/2011	Kastanek et al.
D387,249 S *	12/1997	Mogil D7/607	8,016,090 B2	9/2011	McCoy et al.
5,706,969 A	1/1998	Yamada et al.	8,043,004 B2	10/2011	Mogil
5,758,513 A	6/1998	Smith	8,096,442 B2	1/2012	Ramundi
D397,273 S	8/1998	Collie	8,191,747 B2	6/2012	Pruchnicki
5,842,571 A	12/1998	Rausch	8,209,995 B2	7/2012	Kieling et al.
5,845,514 A	12/1998	Clarke et al.	8,281,950 B2	10/2012	Potts et al.
5,848,734 A	12/1998	Melk	D674,664 S	1/2013	Collie
			8,424,713 B2	4/2013	Bolland
			8,474,640 B2	7/2013	Armstrong
			8,544,678 B1	10/2013	Hughes
			8,573,002 B2	11/2013	Ledoux et al.

(56)

References Cited

U.S. PATENT DOCUMENTS

8,622,235 B2 1/2014 Suchecki
 8,720,739 B2 5/2014 Bollis
 2002/0197369 A1 12/2002 Modler
 2003/0070447 A1 4/2003 Tanaka
 2003/0080133 A1 5/2003 Butler
 2003/0106895 A1 6/2003 Kalal
 2003/0136702 A1 7/2003 Redzisz et al.
 2003/0175394 A1 9/2003 Modler
 2004/0004111 A1 1/2004 Cardinale
 2004/0028296 A1 2/2004 Meli
 2004/0074936 A1 4/2004 McDonald
 2004/0094589 A1 5/2004 Fricano
 2004/0144783 A1 7/2004 Anderson et al.
 2004/0164084 A1 8/2004 Cooper
 2004/0237266 A1 12/2004 Wang
 2005/0016895 A1 1/2005 Glenn
 2005/0045520 A1 3/2005 Johnson
 2005/0045521 A1 3/2005 Johnson et al.
 2005/0196510 A1 9/2005 Walters
 2005/0262871 A1 12/2005 Bailey-Weston
 2005/0263528 A1 12/2005 Maldonado et al.
 2005/0279124 A1 12/2005 Maldonado
 2006/0102497 A1 5/2006 Wulf
 2006/0151533 A1 7/2006 Simunovic et al.
 2006/0201979 A1 9/2006 Achilles
 2006/0240159 A1 10/2006 Cash et al.
 2007/0012593 A1 1/2007 Kitchens et al.
 2007/0148305 A1 6/2007 Sherwood et al.
 2007/0148307 A1 6/2007 Sherwood et al.
 2007/0217187 A1 9/2007 Blakely et al.
 2007/0221693 A1 9/2007 Moore
 2007/0237432 A1 10/2007 Mogil
 2007/0278234 A1* 12/2007 Mogil 220/592.2
 2007/0290816 A1 12/2007 Bedard
 2008/0038424 A1 2/2008 Krusemann
 2008/0073364 A1 3/2008 Simmons
 2008/0105282 A1 5/2008 Fernholz et al.
 2008/0128421 A1 6/2008 Ulbrand et al.
 2008/0160149 A1 7/2008 Nasrallah et al.
 2008/0164265 A1 7/2008 Conforti
 2008/0178865 A1 7/2008 Retterer
 2008/0245096 A1 10/2008 Hanson et al.
 2008/0260303 A1 10/2008 De Lesseux et al.
 2008/0305235 A1 12/2008 Gao et al.
 2009/0052809 A1 2/2009 Sampson
 2009/0095757 A1 4/2009 Ramundi
 2009/0280229 A1 11/2009 Constantine et al.
 2009/0301511 A1* 12/2009 Vinci 132/316
 2009/0311378 A1 12/2009 Wilaschin et al.
 2009/0317514 A1 12/2009 Sizer
 2010/0047423 A1 2/2010 Kruesemann et al.
 2010/0059199 A1 3/2010 Court
 2010/0071395 A1* 3/2010 Ledoux et al. 62/259.1
 2010/0075006 A1 3/2010 Semenza
 2010/0108694 A1 5/2010 Sedlbauer et al.
 2010/0136203 A1 6/2010 Sakata et al.
 2010/0143567 A1 6/2010 Ye et al.
 2011/0003975 A1 1/2011 Arase et al.
 2011/0005739 A1 1/2011 Finney et al.
 2011/0030415 A1 2/2011 Breyburg et al.
 2011/0097442 A1 4/2011 Harju et al.
 2011/0108562 A1 5/2011 Lyons
 2011/0167863 A1* 7/2011 Herrbold 62/457.1
 2011/0182532 A1 7/2011 Baltus

2011/0284601 A1 11/2011 Pullin
 2011/0311166 A1 12/2011 Pascua
 2012/0106130 A1 5/2012 Beaudette
 2012/0137637 A1 6/2012 Gillis
 2012/0181211 A1 7/2012 Charlebois
 2012/0187138 A1 7/2012 Vasquez et al.
 2012/0294550 A1 11/2012 Hassman et al.
 2012/0311828 A1 12/2012 Nir
 2013/0014355 A1 1/2013 Lee
 2013/0043285 A1 2/2013 Cordray
 2013/0174600 A1 7/2013 Sarcinella
 2013/0216158 A1 8/2013 Meldeau et al.
 2013/0264350 A1 10/2013 Handlon et al.
 2013/0341338 A1 12/2013 Mitchell et al.
 2014/0023295 A1 1/2014 Wagner

FOREIGN PATENT DOCUMENTS

CA 2327764 A1 6/2002
 CA 2433251 A1 12/2004
 CA 2483802 A1 4/2006
 CA 2498796 A1 9/2006
 CA 2499291 A1 9/2006
 CA 2503473 A1 10/2006
 CA 2548064 A1 11/2007
 CA 2549327 A1 11/2007
 CA 2782668 A1 12/2013
 CN 2125339 U 12/1992
 CN 2188899 Y 2/1995
 CN 201062136 Y 5/2008
 CN 102717977 A 10/2012
 CN 202619972 U 12/2012
 CN 202959175 U 6/2013
 CN 103385657 A 11/2013
 DE 3539626 A1 5/1987
 DE 20002689 U1 8/2000
 DE 202011050174 U1 7/2011
 DE 202013101115 U1 3/2013
 EP 0037545 A2 10/1981
 EP 0082131 A2 6/1983
 EP 0158634 A1 10/1985
 EP 0174159 A2 3/1986
 FR 1269009 A 8/1961
 FR 2440886 A1 6/1980
 GB 2249717 A 5/1992
 GB 2335972 A 10/1999
 JP 11051532 2/1999
 JP 3275477 B2 4/2002
 JP 2003026258 A 1/2003
 JP 2010023926 A 2/2010
 KR 20020027739 A 4/2002
 KR 20040092730 A 11/2004
 WO 9524146 A2 9/1995
 WO 9812954 A1 4/1998
 WO 2006058538 A1 6/2006
 WO 2010106296 A2 9/2010
 WO 2010120199 A1 10/2010
 WO 2014033450 A1 3/2014

OTHER PUBLICATIONS

“Icemule Classic Cooler—Large (20L)”, <http://www.icemulecooler.com/icemule-classic-cooler-large-20l/>, published date unknown, but prior to the filing date of the present application, Icemule, United States.

* cited by examiner

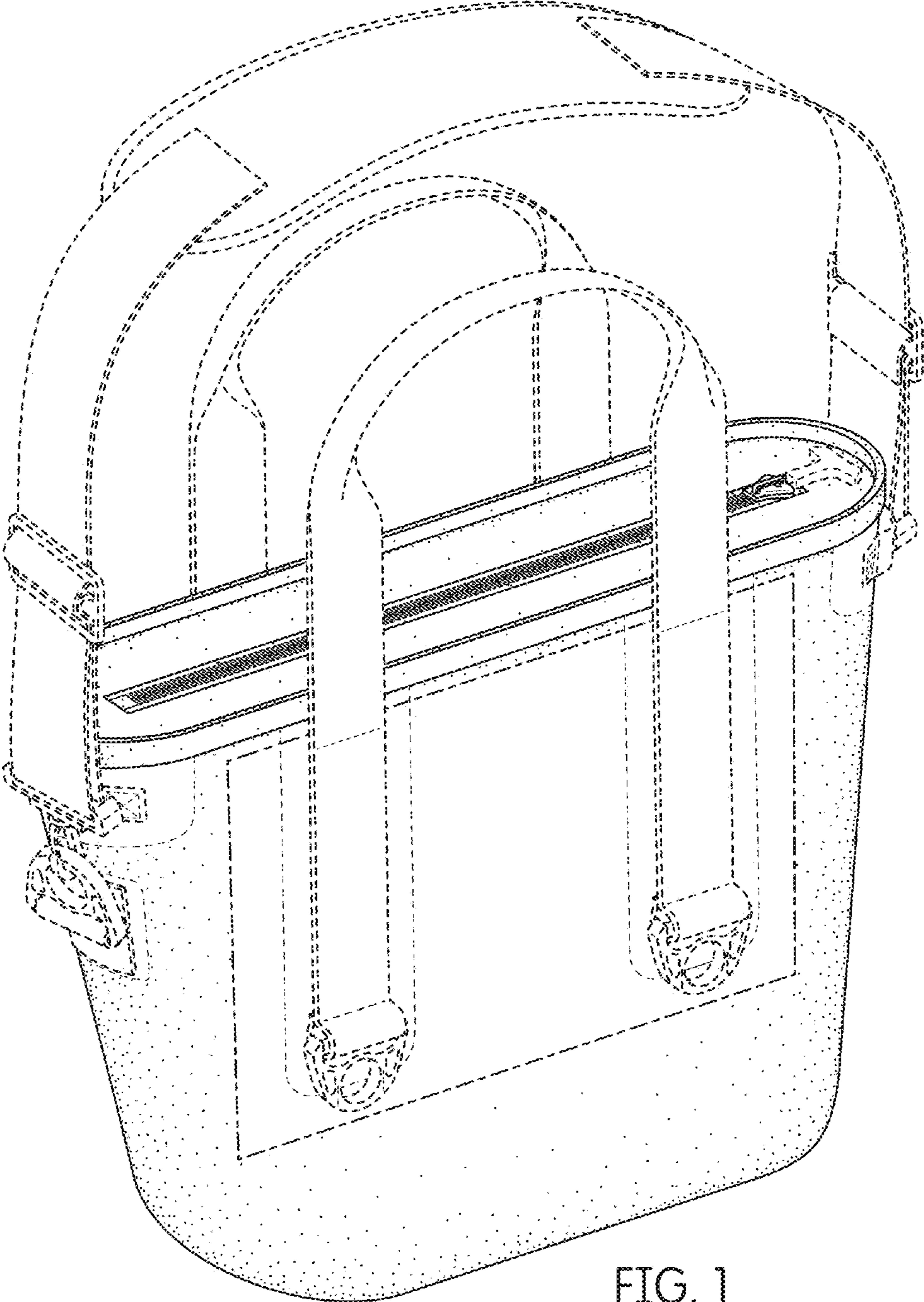


FIG. 1

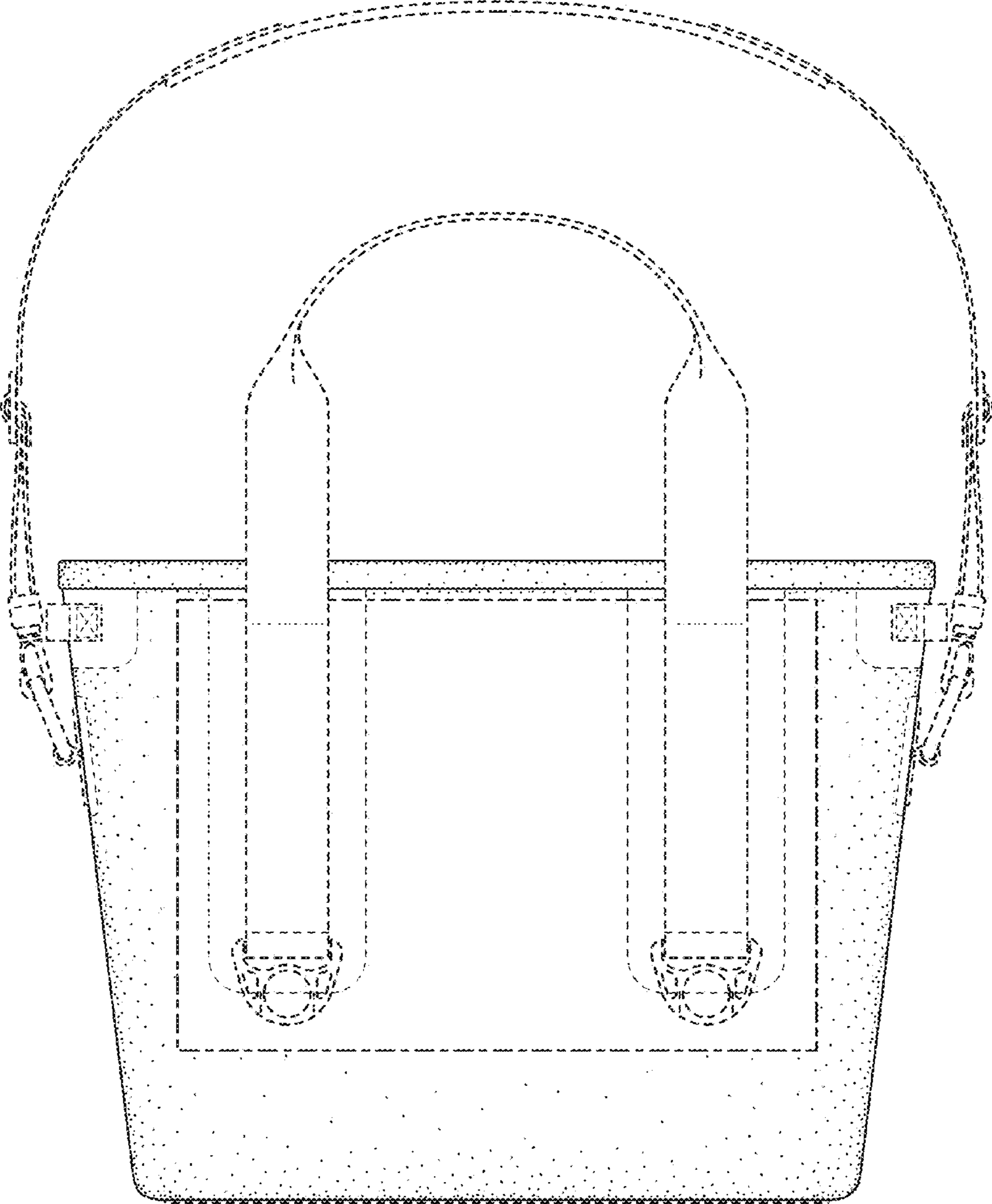


FIG. 2

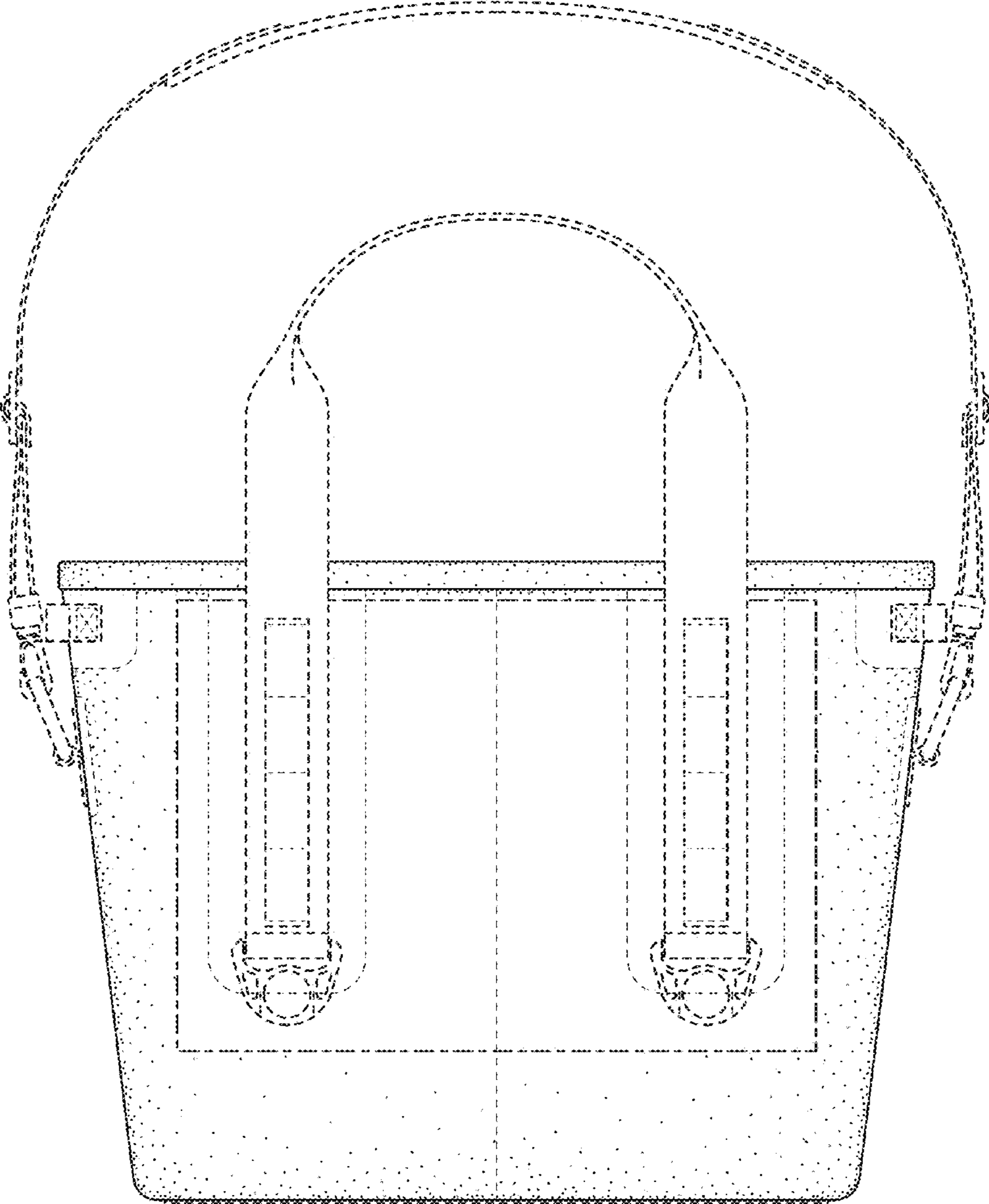


FIG. 3

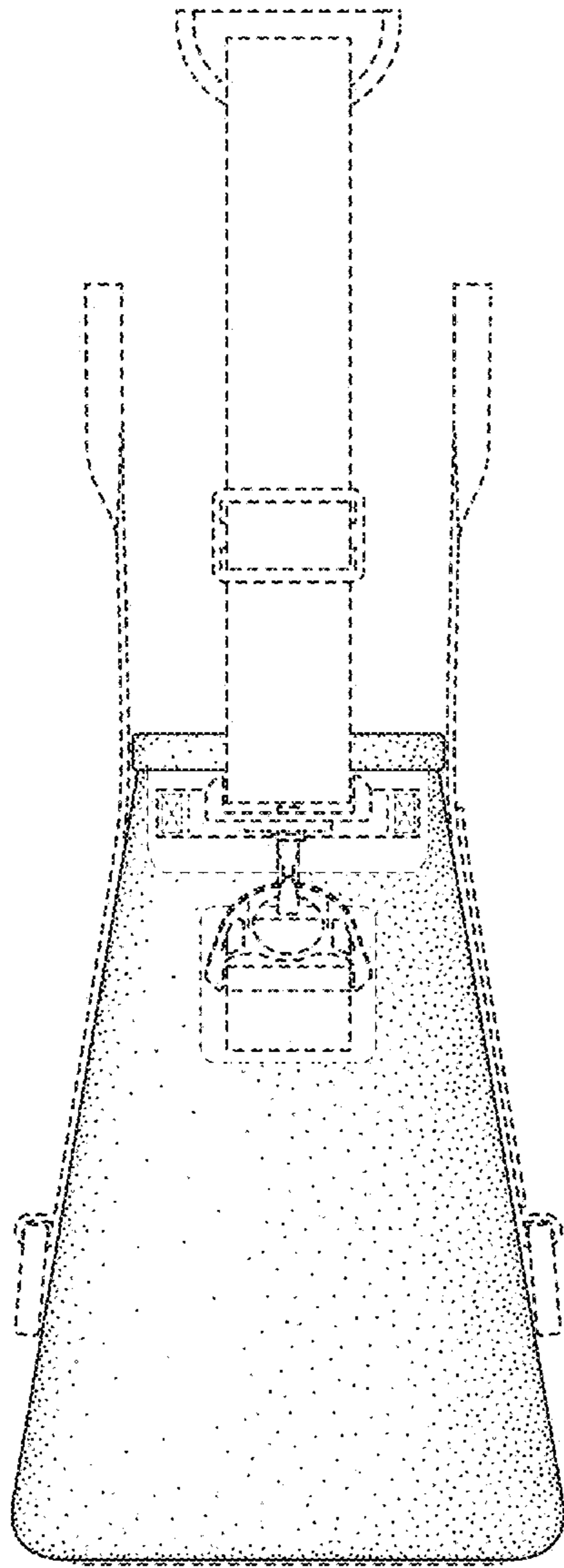


FIG. 4

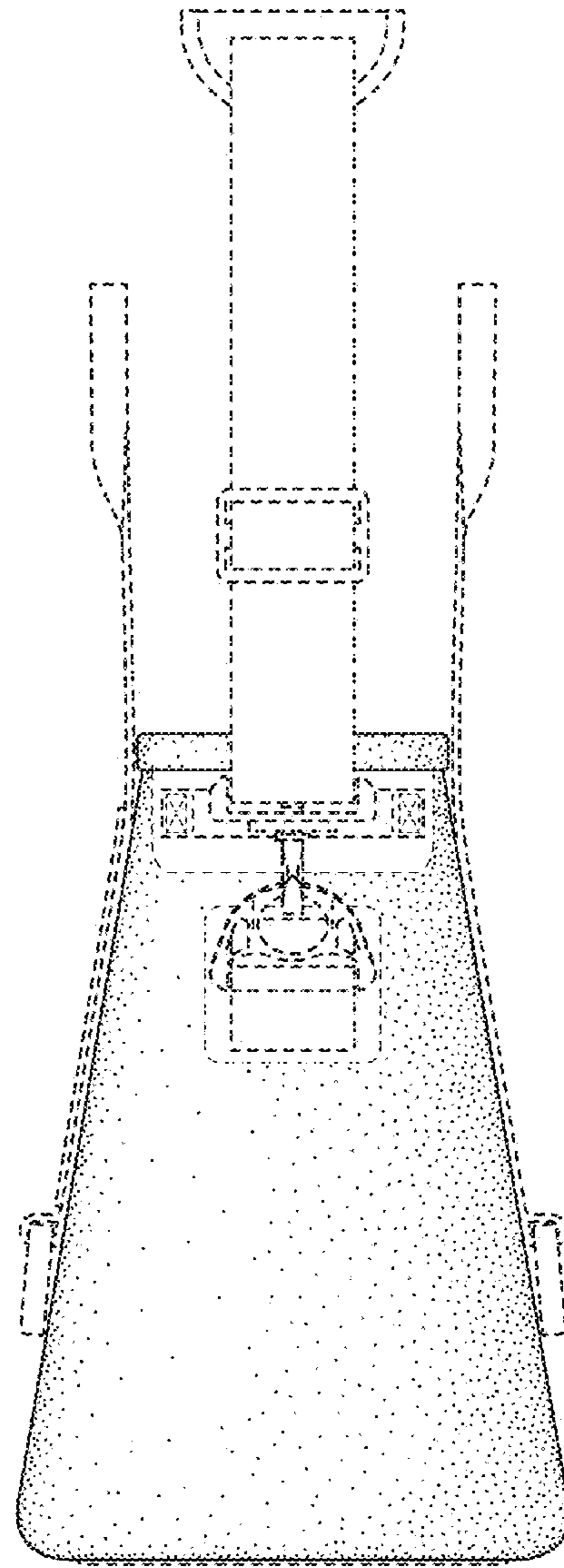


FIG. 5

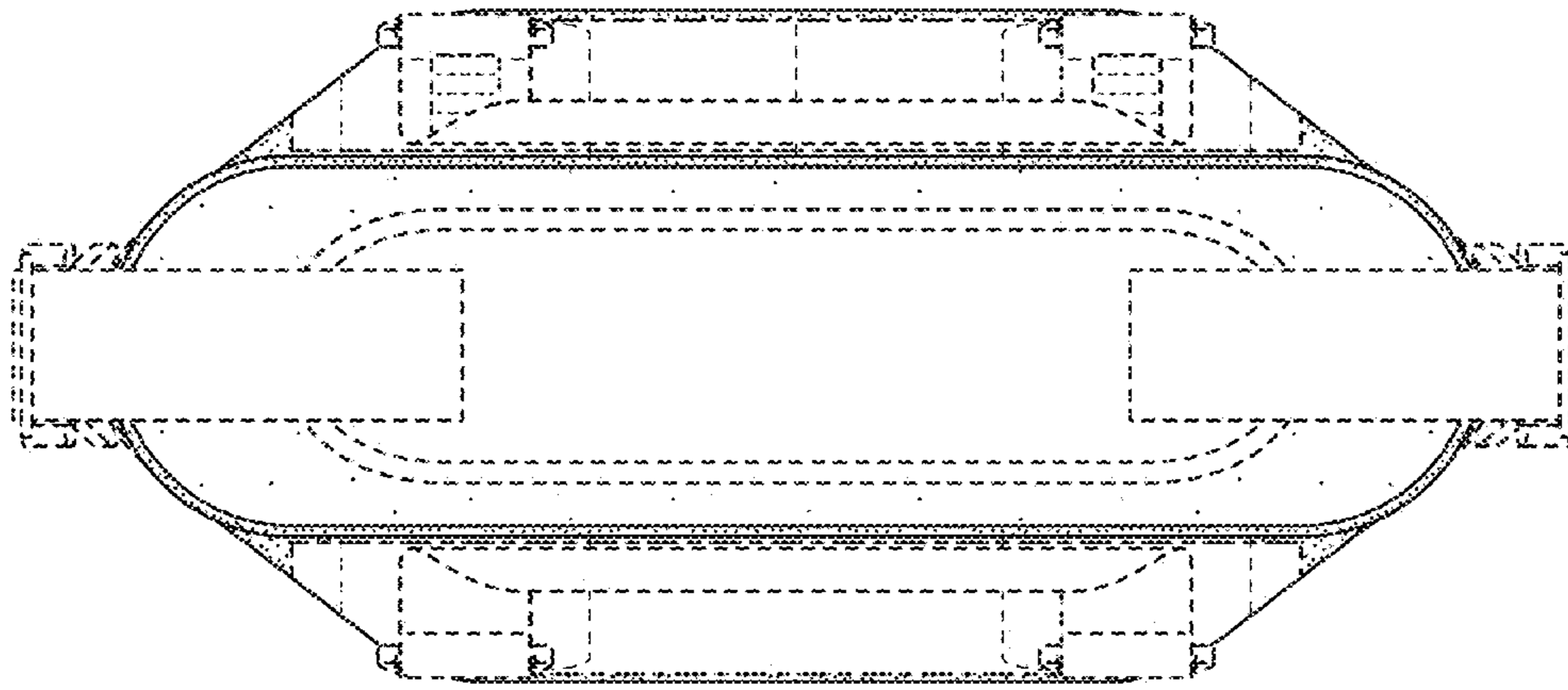


FIG. 6

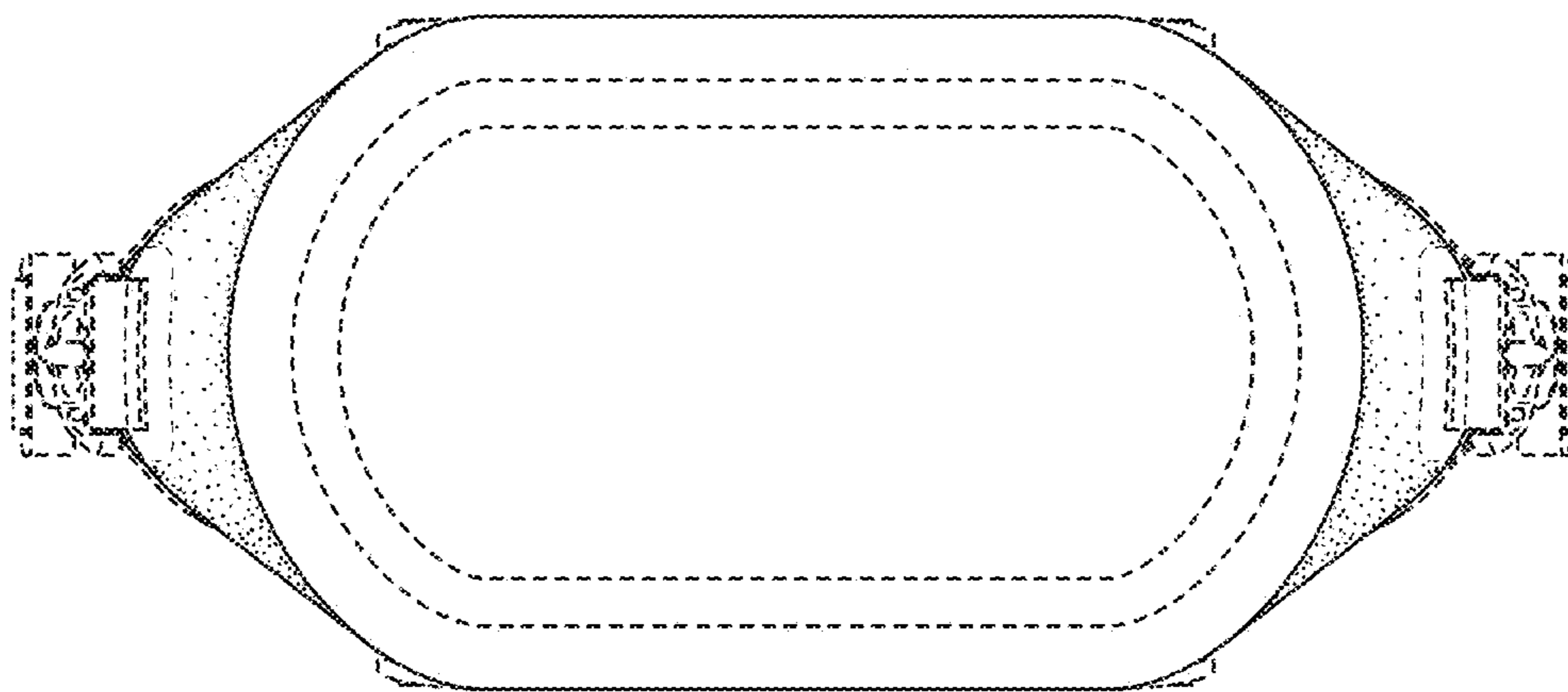


FIG. 7