



US00D732344S

(12) **United States Design Patent**
Clark

(10) **Patent No.:** **US D732,344 S**

(45) **Date of Patent:** **** Jun. 23, 2015**

(54) **SINGLE CUP BEVERAGE AND FOOD CONTAINER**

(71) Applicant: **Ronald Clark**, Oakley, CA (US)

(72) Inventor: **Ronald Clark**, Oakley, CA (US)

(**) Term: **14 Years**

(21) Appl. No.: **29/461,592**

(22) Filed: **Jul. 25, 2013**

(51) **LOC (10) Cl.** **07-01**

(52) **U.S. Cl.**
USPC **D7/553.1**

(58) **Field of Classification Search**
USPC D7/550.1, 552.1, 553.1, 553.6, 553.8,
D7/554.2, 601-602, 701; D9/341;
206/557, 561-564; 220/23.8, 23.83,
220/500, 507, 556, 574-575, 509, 513
CPC A47G 23/00; A47G 23/0641; A47G 23/0608
See application file for complete search history.

(56) **References Cited**

U.S. PATENT DOCUMENTS

D298,296 S *	11/1988	Washburn et al.	D7/553.8
D305,712 S *	1/1990	Bauman et al.	D7/553.8
D366,187 S *	1/1996	Van Den Kieboom	D7/553.1
D376,297 S *	12/1996	Jacobson	D7/552.2
D393,181 S *	4/1998	Panta	D7/552.2
D417,366 S *	12/1999	Obra	D7/549
D439,114 S *	3/2001	Dini	D7/553.1
D469,310 S *	1/2003	Bukowski	D7/553.1
D512,157 S *	11/2005	Wu et al.	D24/227
D527,953 S *	9/2006	Le Gal	D7/552.1

D531,054 S *	10/2006	Sagel	D9/737
D563,728 S *	3/2008	Welch, III	D7/553.4
7,798,354 B2 *	9/2010	Stowers, Sr.	220/23.8
D652,323 S *	1/2012	Clark	D9/761
D655,136 S *	3/2012	Goodman	D7/553.6
D706,583 S *	6/2014	Clark	D7/554.2

* cited by examiner

Primary Examiner — Kelley Donnelly

(74) *Attorney, Agent, or Firm* — Stuart J. West; West & Associates, A PC

(57) **CLAIM**

The ornamental design for the single cup beverage and food container, as shown.

DESCRIPTION

FIG. 1 depicts an isometric view of the single cup beverage and food container.

FIG. 2 depicts a side view of the single cup beverage and food container.

FIG. 3 depicts a side view of the single cup beverage and food container.

FIG. 4 depicts a side view of the single cup beverage and food container.

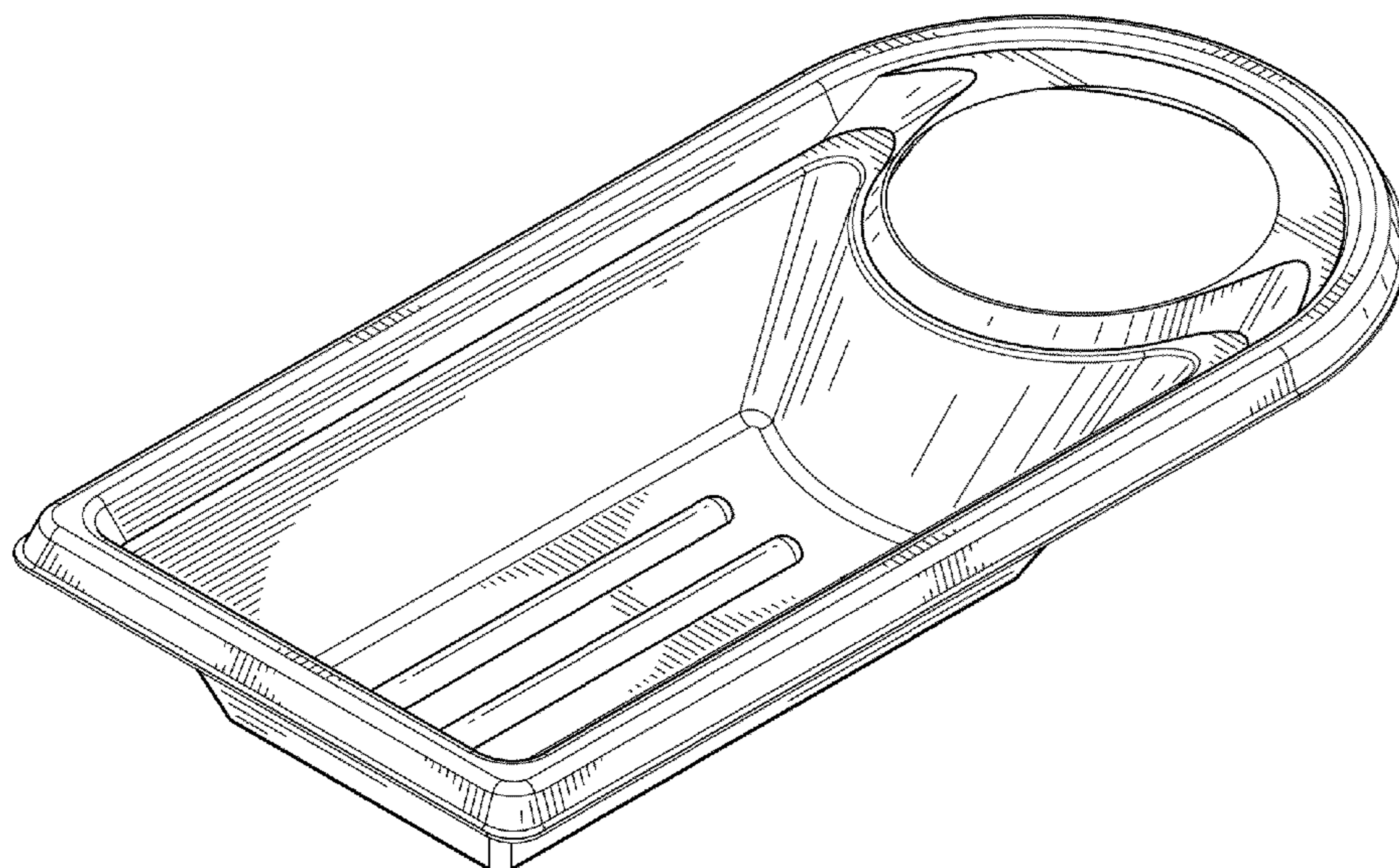
FIG. 5 depicts a side view of the single cup beverage and food container.

FIG. 6 depicts a top view of the single cup beverage and food container.

FIG. 7 depicts a bottom view of the single cup beverage and food container; and,

FIG. 8 depicts an underside isometric view of the single cup beverage and food container.

1 Claim, 6 Drawing Sheets



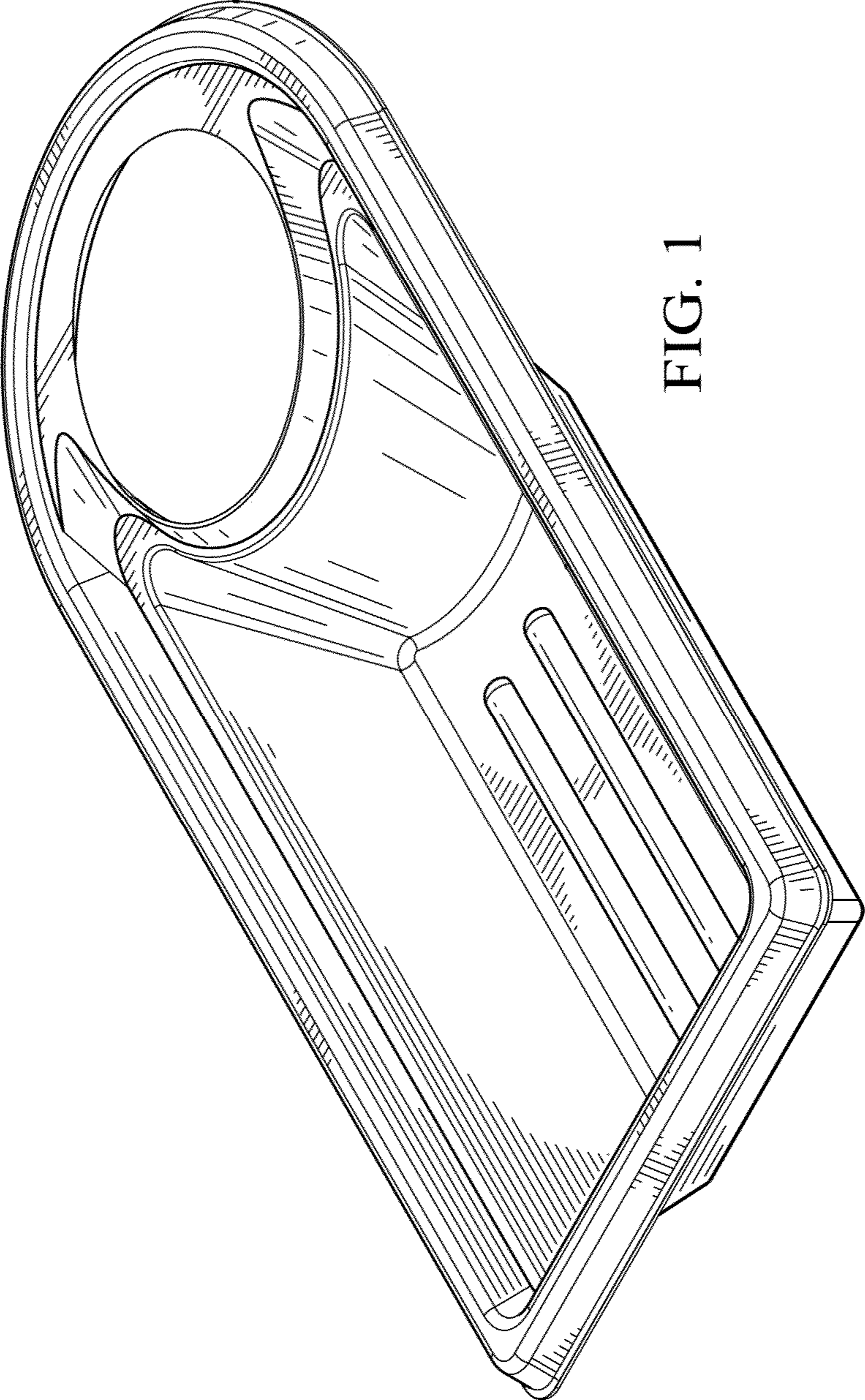


FIG. 1

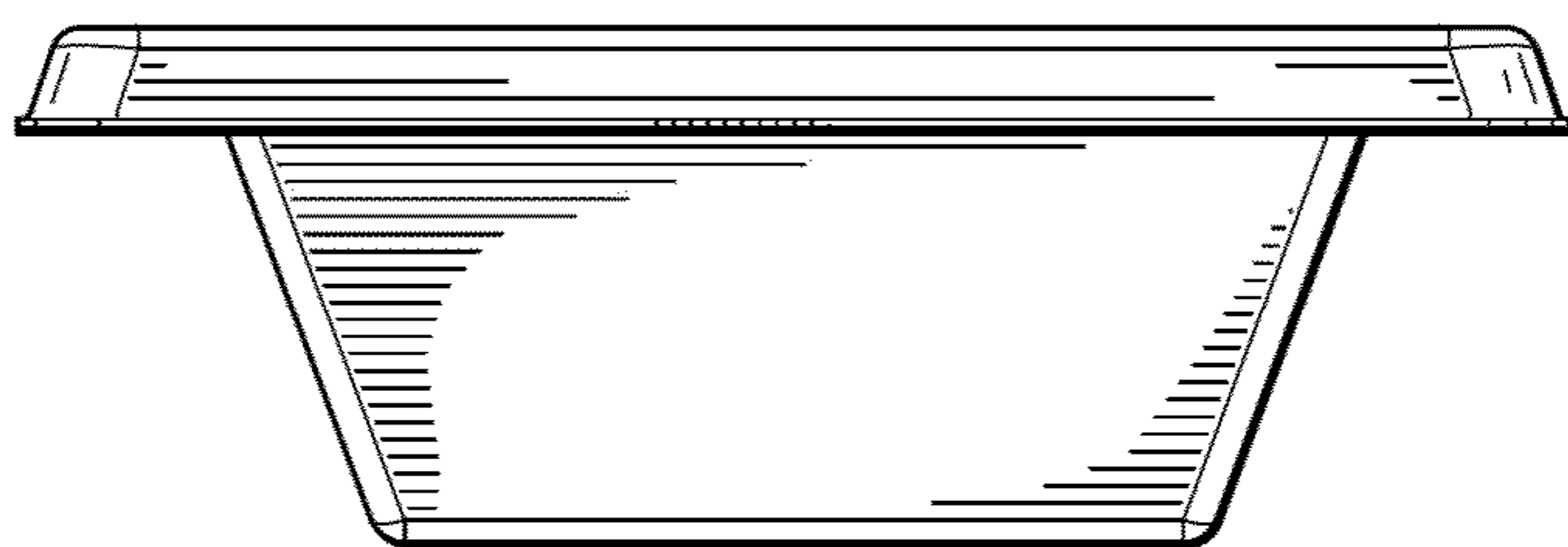


FIG. 2

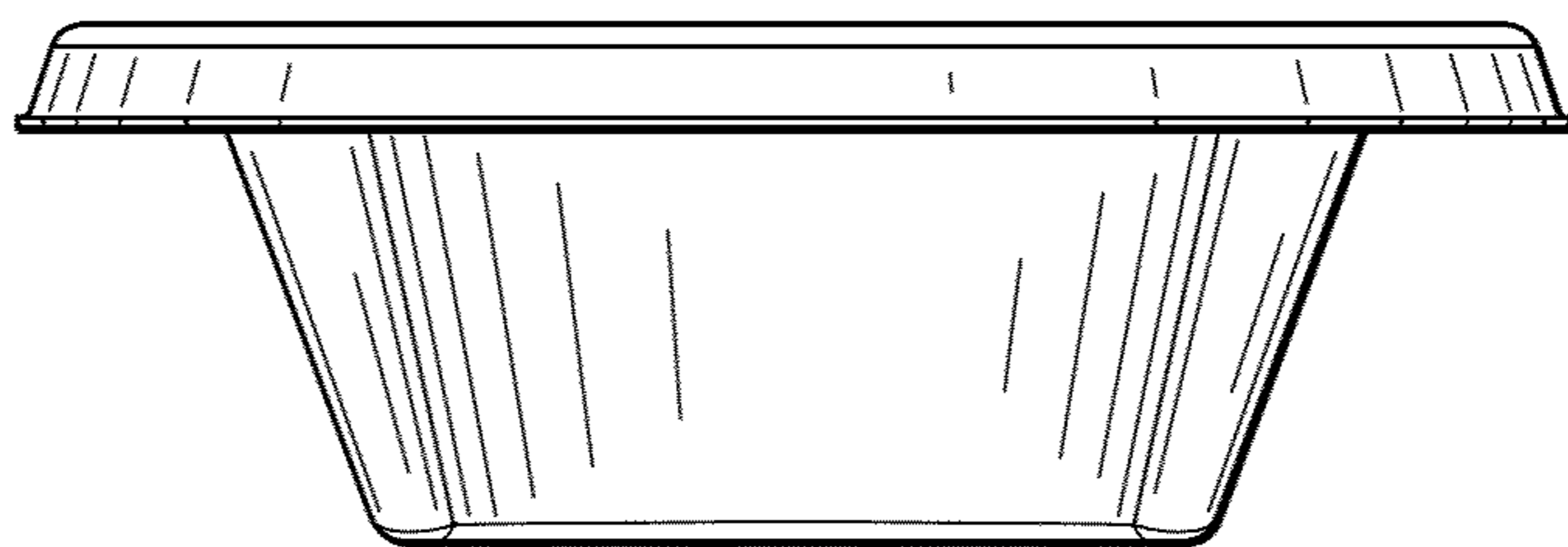


FIG. 3

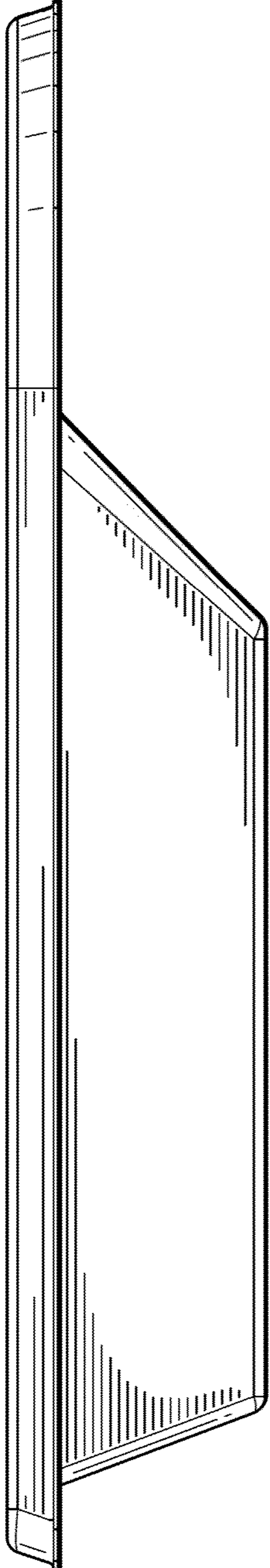


FIG. 4

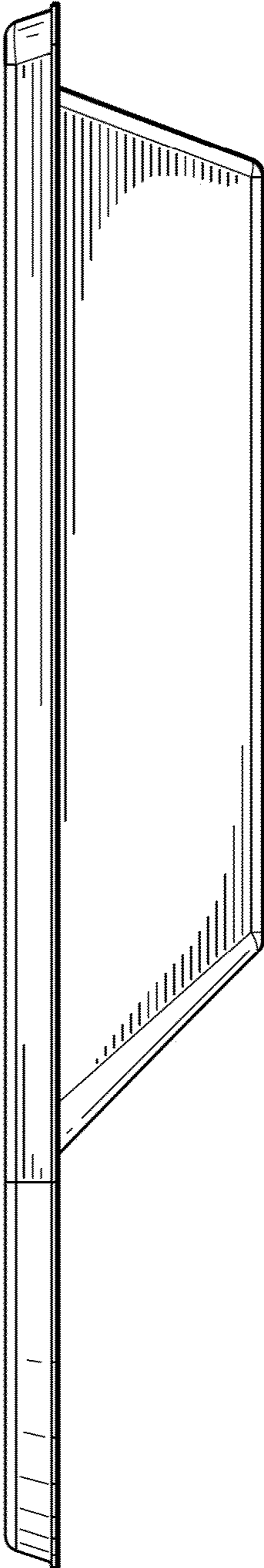


FIG. 5

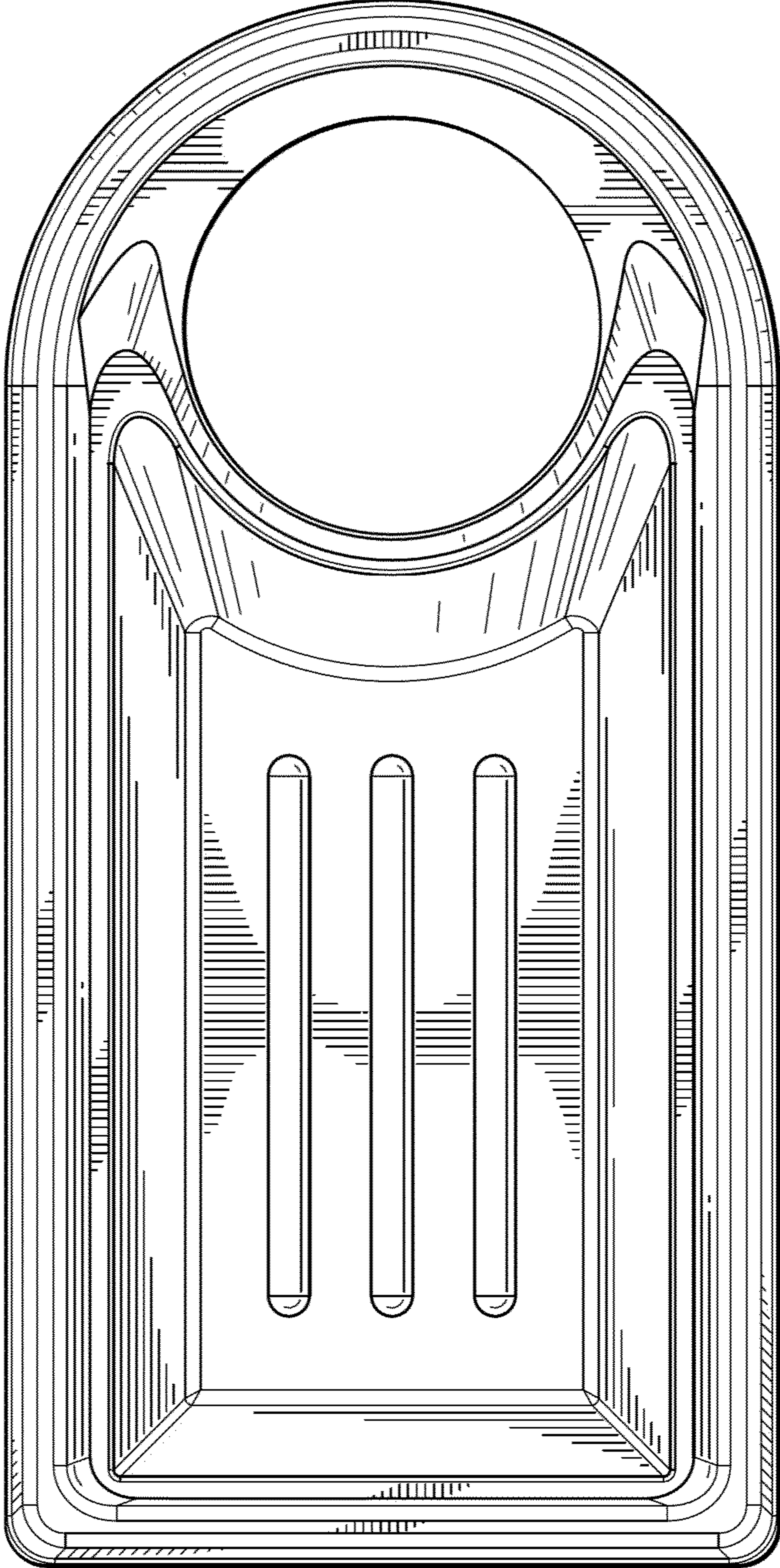


FIG. 6

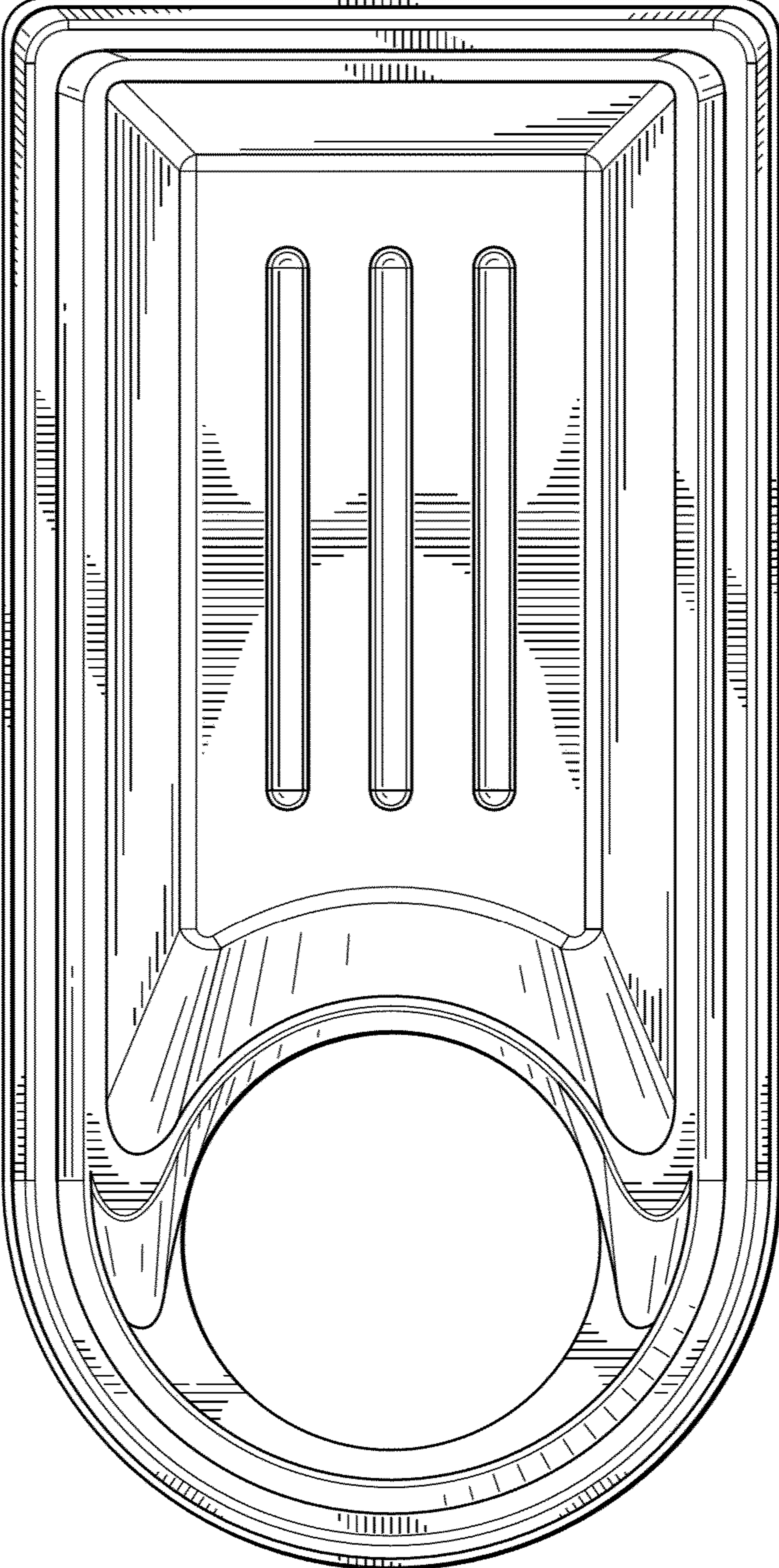


FIG. 7

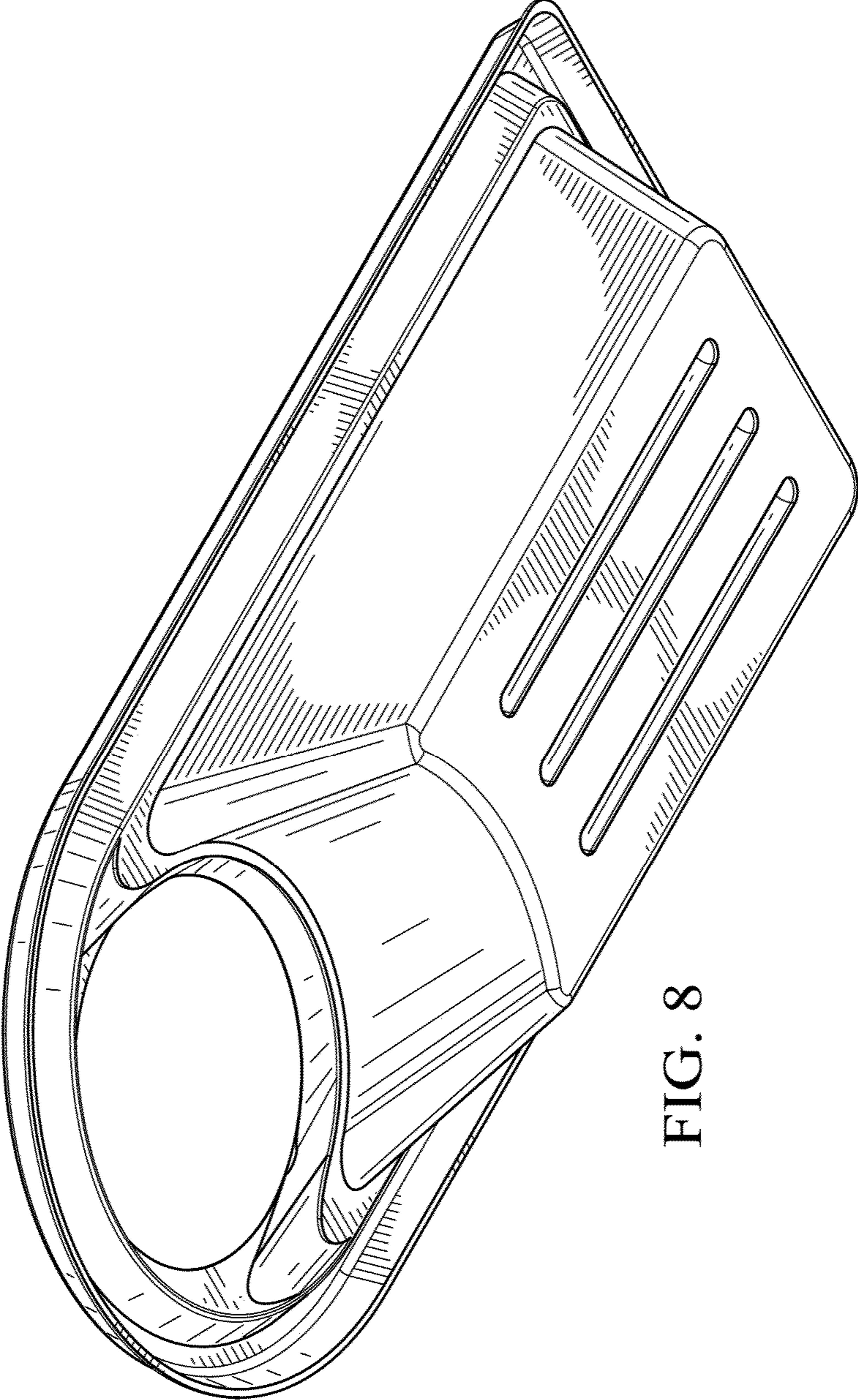


FIG. 8