



US00D732339S

(12) **United States Design Patent**
Sorensen et al.

(10) **Patent No.:** **US D732,339 S**
(45) **Date of Patent:** **** *Jun. 23, 2015**

(54) **CONTAINER SYSTEM**

(71) Applicant: **Runway Blue, LLC**, Pleasant Grove, UT (US)

(72) Inventors: **Steven M. Sorensen**, Alpine, UT (US);
David O. Meyers, Kaysville, UT (US);
Kim L. Sorensen, Alpine, UT (US)

(73) Assignee: **RUNWAY BLUE, LLC**, Pleasant Grove, UT (US)

(*) Notice: This patent is subject to a terminal disclaimer.

(**) Term: **14 Years**

(21) Appl. No.: **29/465,996**

(22) Filed: **Sep. 3, 2013**

(51) **LOC (10) Cl.** **07-01**

(52) **U.S. Cl.**
USPC **D7/509**

(58) **Field of Classification Search**
USPC D7/300, 300.1, 302, 305, 314, 376, 507, D7/509, 523, 543, 545, 546, 549, 560, 589, D7/601, 602, 608, 612-615, 619.1, 629, D7/632; D9/428-432, 436, 447, 500, 502, D9/516, 530, 533, 536, 537, 539, 542, 543, D9/547, 553, 571, 574; D10/46.2, 46.3, D10/46; D11/152; D24/197, 224; 206/459.1, 519, 520; 215/381-385; 220/23.88, 660, 662, 669, 780-806

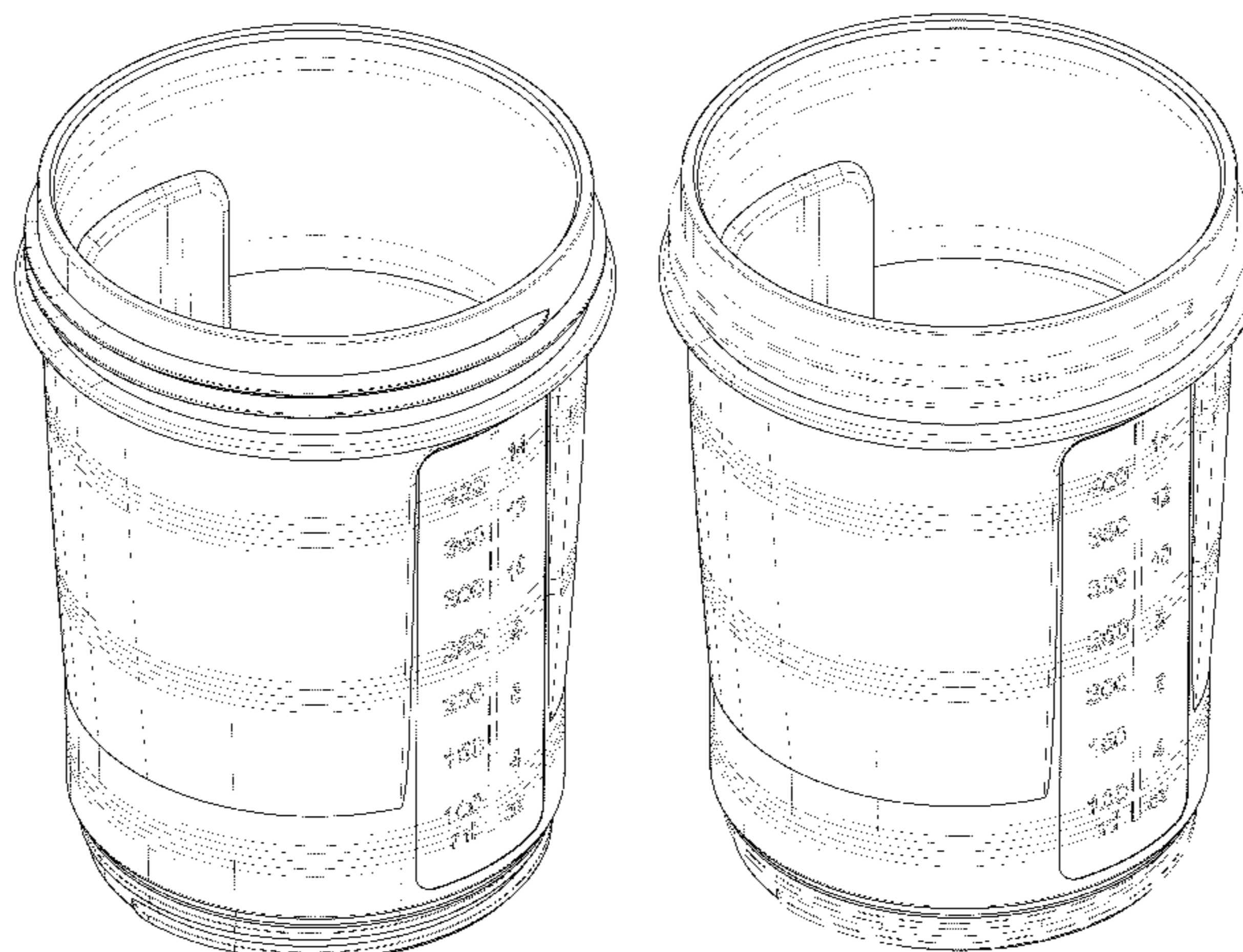
See application file for complete search history.

(56) **References Cited**

U.S. PATENT DOCUMENTS

| | | |
|-------------|---------|---------------------|
| 1,037,051 A | 8/1912 | Ramsey |
| 1,094,469 A | 4/1914 | Pick |
| 1,389,732 A | 9/1921 | Baron |
| 1,479,053 A | 1/1924 | Brooks |
| 1,573,620 A | 2/1926 | Allston |
| 2,056,879 A | 10/1936 | Winterhalter et al. |
| 2,272,867 A | 2/1942 | Cobel |

| | | |
|--------------|---------|--------------------------|
| 2,514,573 A | 7/1950 | Harrison |
| 2,573,378 A | 10/1951 | Zurlinden |
| 2,574,876 A | 11/1951 | Lebus |
| 2,575,299 A | 11/1951 | Scheel |
| 2,638,253 A | 5/1953 | Mueller |
| 2,748,997 A | 6/1956 | Richmond, Sr. |
| 2,752,971 A | 7/1956 | Tupper |
| 2,754,866 A | 7/1956 | Coltman |
| 3,022,925 A | 2/1962 | Daniell |
| 3,091,361 A | 5/1963 | Gawron |
| 3,143,205 A | 8/1964 | Ruderian |
| 3,144,016 A | 8/1964 | Basci |
| 3,168,226 A | 2/1965 | Underwood |
| 3,369,691 A | 2/1968 | Wei |
| 3,552,548 A | 1/1971 | Wallestad et al. |
| 3,770,160 A | 11/1973 | Flider |
| 3,820,692 A | 6/1974 | Swett et al. |
| D233,116 S | 10/1974 | Swett et al. |
| 4,022,352 A | 5/1977 | Pehr |
| 4,136,799 A | 1/1979 | Albert |
| 4,158,902 A | 6/1979 | Chernack et al. |
| D261,088 S | 10/1981 | Akimov et al. |
| 4,399,926 A | 8/1983 | Eidels-Dubovoy |
| D273,167 S * | 3/1984 | Carlson D7/612 |
| 4,457,458 A | 7/1984 | Heinol |
| 4,474,303 A | 10/1984 | Maccise |
| 4,519,518 A | 5/1985 | Wiles et al. |
| D280,281 S * | 8/1985 | Conti et al. D7/602 |
| 4,537,044 A | 8/1985 | Putnam |
| D282,896 S * | 3/1986 | Conti et al. D7/629 |
| D282,897 S * | 3/1986 | Conti et al. D7/602 |
| 4,735,333 A | 4/1988 | Lay et al. |
| 4,776,501 A | 10/1988 | Ostrowsky |
| 4,805,790 A | 2/1989 | Leonetti et al. |
| 4,932,225 A | 6/1990 | Bighouse |
| 5,065,877 A | 11/1991 | Karppinen et al. |
| 5,065,911 A | 11/1991 | Rohr et al. |
| 5,088,614 A | 2/1992 | Dumestre |
| D330,862 S | 11/1992 | Shibley et al. |
| 5,228,584 A | 7/1993 | Williams, Jr. |
| D342,898 S | 1/1994 | Cane |
| 5,289,930 A | 3/1994 | Inouye |
| D350,460 S | 9/1994 | Picozza et al. |
| 5,386,922 A | 2/1995 | Jordan |
| D356,499 S | 3/1995 | Cautereels et al. |
| 5,547,111 A | 8/1996 | Geiger et al. |
| 5,609,277 A | 3/1997 | McDonald |
| D382,968 S | 8/1997 | Giles et al. |
| D399,099 S * | 10/1998 | Cousins D7/615 |
| D404,305 S | 1/1999 | De Baschmakoff |
| D405,654 S | 2/1999 | Moran |
| D406,349 S * | 3/1999 | Hammond D24/197 |
| 5,896,990 A | 4/1999 | Barzana |



| | | | | | | |
|-----------------|---------|----------------------|-------------------|---------|--------------------|---------|
| D421,547 S | 3/2000 | Demers | 2005/0045634 A1 | 3/2005 | Ward et al. | |
| D433,337 S | 11/2000 | Cautereels | 2005/0045636 A1 | 3/2005 | Lown et al. | |
| 6,161,713 A | 12/2000 | Krich | 2007/0012693 A1 | 1/2007 | Kummer | |
| 6,283,333 B1 | 9/2001 | Knickerbocker et al. | 2007/0175931 A1 | 8/2007 | Leoncavallo et al. | |
| 6,299,005 B1 | 10/2001 | Higgins | 2008/0099514 A1 | 5/2008 | Carter et al. | |
| 6,379,032 B1 | 4/2002 | Sorensen | 2009/0178940 A1 | 7/2009 | Said | |
| D458,081 S | 6/2002 | Bodum | 2009/0188884 A1 | 7/2009 | Nelson et al. | |
| D461,420 S | 8/2002 | Kerman | 2009/0188933 A1 | 7/2009 | Daams | |
| D471,064 S * | 3/2003 | Renz | 2009/0301990 A1 | 12/2009 | Cresswell et al. | |
| D497,431 S | 10/2004 | Bentley | 2010/0200438 A1 | 8/2010 | Davies | |
| 6,832,412 B2 | 12/2004 | Kim | 2010/0206835 A1 | 8/2010 | Yu | |
| 6,860,397 B1 | 3/2005 | Walters, Jr. | 2010/0224631 A1 | 9/2010 | Roth et al. | |
| D504,273 S | 4/2005 | Ancona | 2010/0282703 A1 | 11/2010 | Yang | |
| D508,185 S | 8/2005 | Gauss | 2011/0017753 A1 * | 1/2011 | Lewis et al. | 220/669 |
| D508,187 S * | 8/2005 | Dais et al. | 2011/0017760 A1 | 1/2011 | Newman | |
| D510,235 S | 10/2005 | Sorensen | 2011/0253733 A1 | 10/2011 | Meyers et al. | |
| D518,336 S | 4/2006 | Hirani | 2013/0062304 A1 * | 3/2013 | Meyers et al. | 215/240 |
| 7,073,678 B1 | 7/2006 | Dibdin et al. | | | | |
| D526,827 S | 8/2006 | Allen et al. | | | | |
| D528,862 S | 9/2006 | Li | | | | |
| D529,339 S | 10/2006 | Carreno et al. | | | | |
| D532,312 S | 11/2006 | Conway et al. | | | | |
| D532,650 S | 11/2006 | de Groote | | | | |
| D543,454 S | 5/2007 | Leoncavallo et al. | | | | |
| D546,131 S | 7/2007 | Morales | | | | |
| D547,607 S | 7/2007 | Forsman | | | | |
| D565,353 S | 4/2008 | Roth et al. | | | | |
| D574,190 S | 8/2008 | Homma | | | | |
| D580,227 S | 11/2008 | Roth et al. | | | | |
| D584,569 S | 1/2009 | Buchman et al. | | | | |
| D584,925 S | 1/2009 | Buchman et al. | | | | |
| D586,184 S | 2/2009 | Miller et al. | | | | |
| D587,069 S | 2/2009 | Bodum | | | | |
| D589,751 S | 4/2009 | Liu et al. | | | | |
| D592,913 S | 5/2009 | Pinelli et al. | | | | |
| 7,533,783 B2 | 5/2009 | Choi et al. | | | | |
| D593,811 S | 6/2009 | Carreno | | | | |
| D599,664 S | 9/2009 | Fujinami et al. | | | | |
| D602,369 S | 10/2009 | Potts et al. | | | | |
| D604,103 S | 11/2009 | Alviar et al. | | | | |
| D609,970 S | 2/2010 | Richau et al. | | | | |
| D613,110 S | 4/2010 | Lane et al. | | | | |
| D622,089 S | 8/2010 | Daniel et al. | | | | |
| D622,554 S | 8/2010 | Carreno | | | | |
| 7,806,284 B2 | 10/2010 | Mangano | | | | |
| D626,837 S | 11/2010 | Meyers et al. | | | | |
| D626,838 S | 11/2010 | Meyers et al. | | | | |
| D628,483 S | 12/2010 | McKinney et al. | | | | |
| D629,657 S | 12/2010 | Carreno | | | | |
| 7,870,980 B2 | 1/2011 | Wilson et al. | | | | |
| D641,594 S | 7/2011 | Huang | | | | |
| D644,065 S | 8/2011 | Llerena | | | | |
| 8,020,257 B2 | 9/2011 | Merten et al. | | | | |
| D646,546 S | 10/2011 | Robinson et al. | | | | |
| D646,919 S | 10/2011 | Nilsson | | | | |
| D647,760 S | 11/2011 | Pearson | | | | |
| D652,256 S | 1/2012 | Eyal | | | | |
| D655,131 S | 3/2012 | Nilsson | | | | |
| D655,967 S | 3/2012 | Bodum | | | | |
| D656,357 S | 3/2012 | Enghard | | | | |
| D661,551 S | 6/2012 | Gilbert | | | | |
| D666,047 S | 8/2012 | Lin | | | | |
| D666,061 S | 8/2012 | Ying | | | | |
| D667,694 S | 9/2012 | Meyers et al. | | | | |
| 8,302,796 B1 | 11/2012 | Johnson | | | | |
| D672,618 S | 12/2012 | Stamper et al. | | | | |
| 8,342,349 B2 | 1/2013 | Lu | | | | |
| D677,121 S | 3/2013 | Meyers et al. | | | | |
| D682,701 S | 5/2013 | Stephan et al. | | | | |
| D686,885 S | 7/2013 | Meyers et al. | | | | |
| D686,886 S | 7/2013 | Meyers et al. | | | | |
| D686,887 S | 7/2013 | Meyers et al. | | | | |
| D686,888 S | 7/2013 | Meyers et al. | | | | |
| D697,798 S | 1/2014 | Sorensen et al. | | | | |
| 2002/0074334 A1 | 6/2002 | Karp | | | | |
| 2002/0130126 A1 | 9/2002 | Rosenberg | | | | |
| 2003/0085228 A1 | 5/2003 | Oakes | | | | |
| 2004/0217139 A1 | 11/2004 | Roth et al. | | | | |
| 2004/0262306 A1 | 12/2004 | Smith | | | | |

FOREIGN PATENT DOCUMENTS

| | | |
|----|--------------|---------|
| CN | 201139196 | 10/2008 |
| JP | 2006103793 A | 4/2004 |
| JP | 2008247404 | 10/2008 |

OTHER PUBLICATIONS

<http://web.archive.org/web/20121114234834/http://www.smartshake.com/about-us> Available Nov. 14, 2012.*
<https://www.youtube.com/watch?v=IKUC7KZ74Dg#t=10> Available Apr. 26, 2011.*
<https://www.youtube.com/watch?v=gDjNOp3TBNw> Available Mar. 28, 2012.*
<http://web.archive.org/web/20130803102407/http://active8canada.com/products/Spider-Bottle-2Go-%28700ml%29.html> Available Aug. 3, 2013.*
 U.S. Appl. No. 12/762,292, filed Apr. 16, 2010, Meyers, et al.
 U.S. Appl. No. 13/232,891, filed Sep. 14, 2011, Meyers, et al.
 U.S. Appl. No. 13/232,935, filed Sep. 14, 2011, Meyers, et al.
 U.S. Appl. No. 29/430,882, filed Aug. 30, 2012, Meyers, et al.
 U.S. Appl. No. 29/431,544, filed Sep. 7, 2012, Meyers, et al.
 U.S. Appl. No. 13/609,238, filed Sep. 10, 2012, Meyers, et al.
 U.S. Appl. No. 13/610,445, filed Sep. 11, 2012, Meyers, et al.
 U.S. Appl. No. 13/633,864, filed Oct. 2, 2012, Meyers, et al.
 U.S. Appl. No. 29/457,097, filed Jun. 6, 2013, Sorensen, et al.
 U.S. Appl. No. 29/457,096, filed Jun. 6, 2013, Sorensen, et al.
 U.S. Appl. No. 61/832,085, filed Jun. 6, 2013, Sorensen, et al.
 U.S. Appl. No. 61/873,334, filed Sep. 3, 2013, Sorensen, et al.
 U.S. Appl. No. 29/465,995, filed Sep. 3, 2013, Sorensen, et al.
 U.S. Appl. No. 29/465,998, filed Sep. 3, 2013, Sorensen, et al.
 Kor One, <http://www.korwater.com/buyONE>, accessed Apr. 21, 2010.
 Core 77, <http://www.core77.com/blog/materials/kor.sub.--one.sub.--water.sub.--vessel.sub.--actual.sub.--size.sub.--10211.asp>, accessed Apr. 21, 2010.
 Koyono, <http://www.koyono.com/KOR-ONE-Green-Zen-Water-Hydration-Vessel.sub.--p/kor-one.htm>, accessed Apr. 21, 2010.
 Fit Sugar, www.fitsugar.com/2496788, accessed Apr. 21, 2010.
 Thermos, <http://www.shopthermos.com/detail/TMS+HP4000GR6>, accessed Apr. 21, 2010.
 Goodlifter, <http://www.goodlifter.com/2009/02/360-paper-water-bottle/>, accessed Apr. 21, 2010.
 Notice of Allowance from U.S. Appl. No. 29/430,882 dated Aug. 5, 2013.
 Advisory Action from U.S. Appl. No. 12/762,292 dated May 24, 2013.
 Office Action from U.S. Appl. No. 12/762,292 dated Jul. 1, 2013.
 Office Action from U.S. Appl. No. 12/762,292 dated Oct. 2, 2012.
 Office Action from U.S. Appl. No. 12/762,292 dated Jul. 17, 2012.
 Office Action from U.S. Appl. No. 12/762,292 dated Feb. 10, 2012.
 Notice of Allowance from U.S. Appl. No. 29/431,544 dated Aug. 14, 2013.
 Office Action from U.S. Appl. No. 29/431,544 dated Mar. 25, 2013.
 Office Action from U.S. Appl. No. 13/610,445 dated Mar. 29, 2013.
 Office Action from U.S. Appl. No. 13/633,864 dated Mar. 29, 2013.

Office Action from U.S. Appl. No. 13/232,891 dated Jul. 19, 2013.
 Office Action from U.S. Appl. No. 13/609,238 dated May 30, 2013.
 International Search Report from PCT Application No. PCT/US2011/026508 dated Sep. 29, 2011.
 Written Opinion from PCT Application No. PCT/US2011/026508 dated Sep. 29, 2011.
 International Preliminary Report on Patentability from PCT Application No. PCT/US2011/026508 dated Oct. 16, 2012.
 International Search Report from PCT Application No. PCT/US2012/054483 dated Nov. 16, 2012.
 International Search Report and Written Opinion from PCT Application No. PCT/US2012/054497 dated Nov. 20, 2012.
 International Search Report and Written Opinion from PCT Application No. PCT/US2013/052132 dated Aug. 16, 2013.
 Boelter Brands Protein Shaker Bottle, image extracted from http://www.boelterbrandsproducts.com/2013SportsCatalog_Hydration.pdf on Oct. 7, 2013.
 SmartShake Jay Cutler Gold Edition Protein Shaker Bottle, image extracted from <http://www.smartshake.com/products/signature-series/jay-cutler-gold-edition/> on Oct. 7, 2013.
 Response to Office Action mailed on Mar. 29, 2013 from U.S. Appl. No. 13/633,864, filed Sep. 30, 2013.

* cited by examiner

Primary Examiner — Susan Bennett Hattan
Assistant Examiner — Leanne Was
 (74) *Attorney, Agent, or Firm* — Maschoff Brennan

(57) **CLAIM**
 The ornamental design for a container system, as shown and described.

DESCRIPTION

FIG. 1 is an upper perspective view of an embodiment of a container system;
 FIG. 2 is an upper perspective view of a container of the container system shown in FIG. 1;
 FIG. 3 is a lower perspective view of the container of the container system shown in FIG. 2;
 FIG. 4 is a front view of the container of the container system shown in FIG. 2;
 FIG. 5 is a rear view of the container of the container system shown in FIG. 2;
 FIG. 6 is a left side view of the container of the container system shown in FIG. 2;

FIG. 7 is a right side view of the container of the container system shown in FIG. 2;
 FIG. 8 is a top view of the container of the container system shown in FIG. 2;
 FIG. 9 is a bottom view of the container of the container system shown in FIG. 2;
 FIG. 10 is an exploded, upper perspective view of the container system shown in FIG. 1;
 FIG. 11 is an exploded, lower perspective view of the container system shown in FIG. 1;
 FIG. 12 is an upper perspective view of another embodiment of a container system;
 FIG. 13 is an upper perspective view of a container of the container system shown in FIG. 12;
 FIG. 14 is a lower perspective view of the container of the container system shown in FIG. 13;
 FIG. 15 is a front view of the container of the container system shown in FIG. 13;
 FIG. 16 is a rear view of the container of the container system shown in FIG. 13;
 FIG. 17 is a left side view of the container of the container system shown in FIG. 13;
 FIG. 18 is a right side view of the container of the container system shown in FIG. 13;
 FIG. 19 is a top view of the container of the container system shown in FIG. 13;
 FIG. 20 is a bottom view of the container of the container system shown in FIG. 13;
 FIG. 21 is an exploded, upper perspective view of the container system shown in FIG. 12; and,
 FIG. 22 is an exploded, lower perspective view of the container system shown in FIG. 12.
 The container system shown in the figures includes three exemplary containers and it will be evident to one of ordinary skill in the art that the container system may include any suitable number of containers. For example, the container system may comprise a single container and the container system may include a plurality of containers.
 The broken lines shown in the figures depict unclaimed portions of the container system only and form no part of the claimed design.

1 Claim, 22 Drawing Sheets

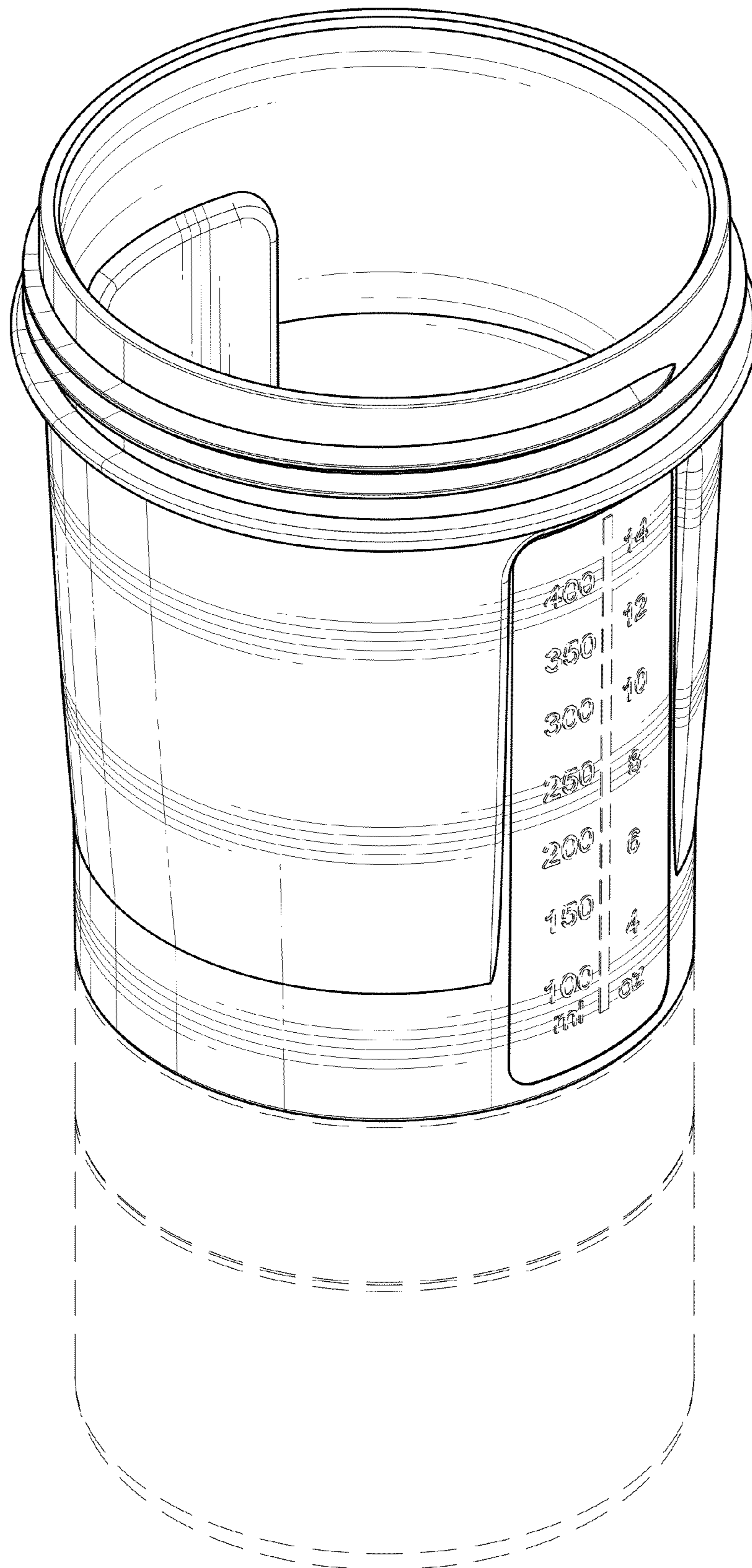


Fig. 1

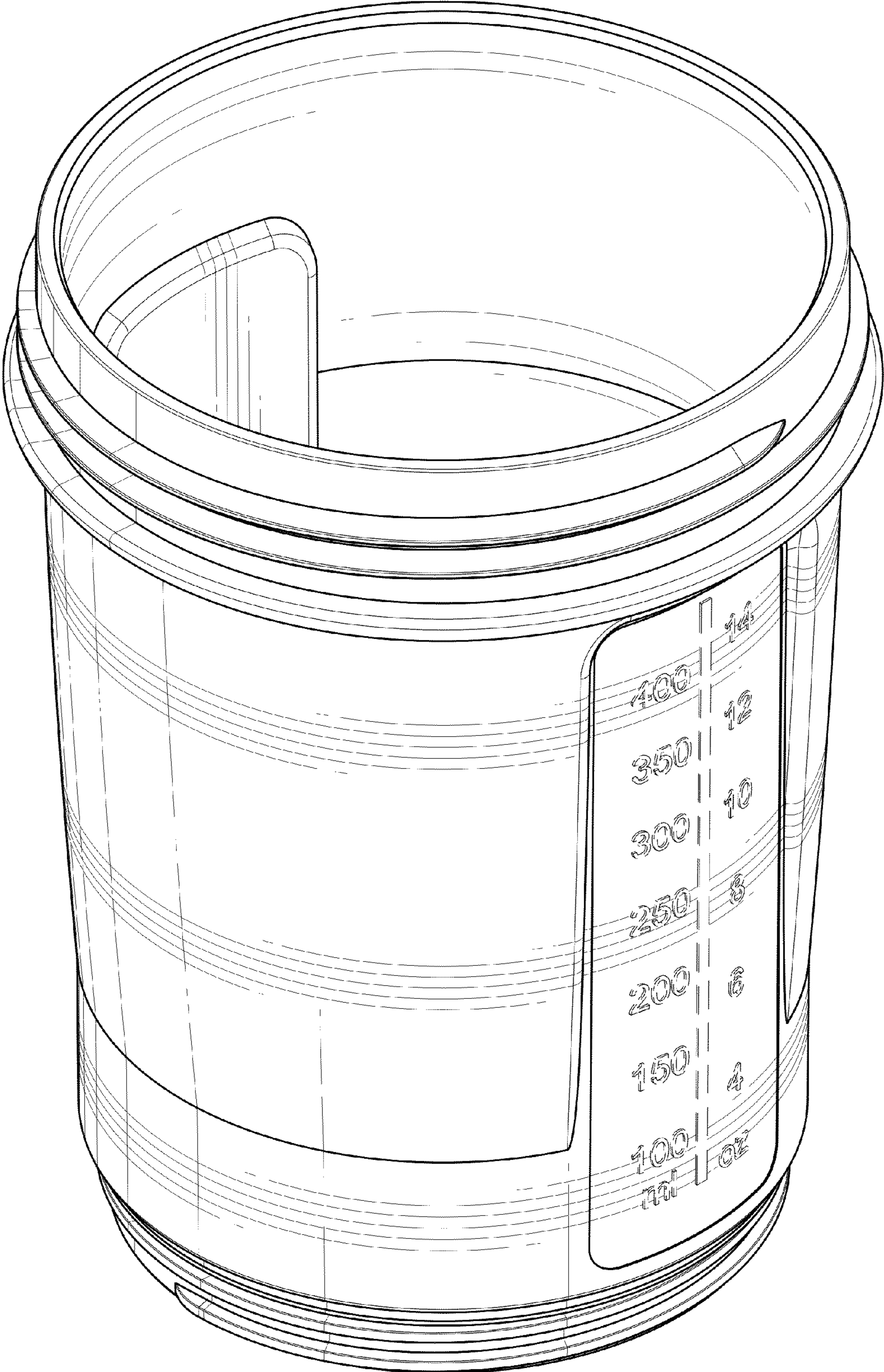


Fig. 2

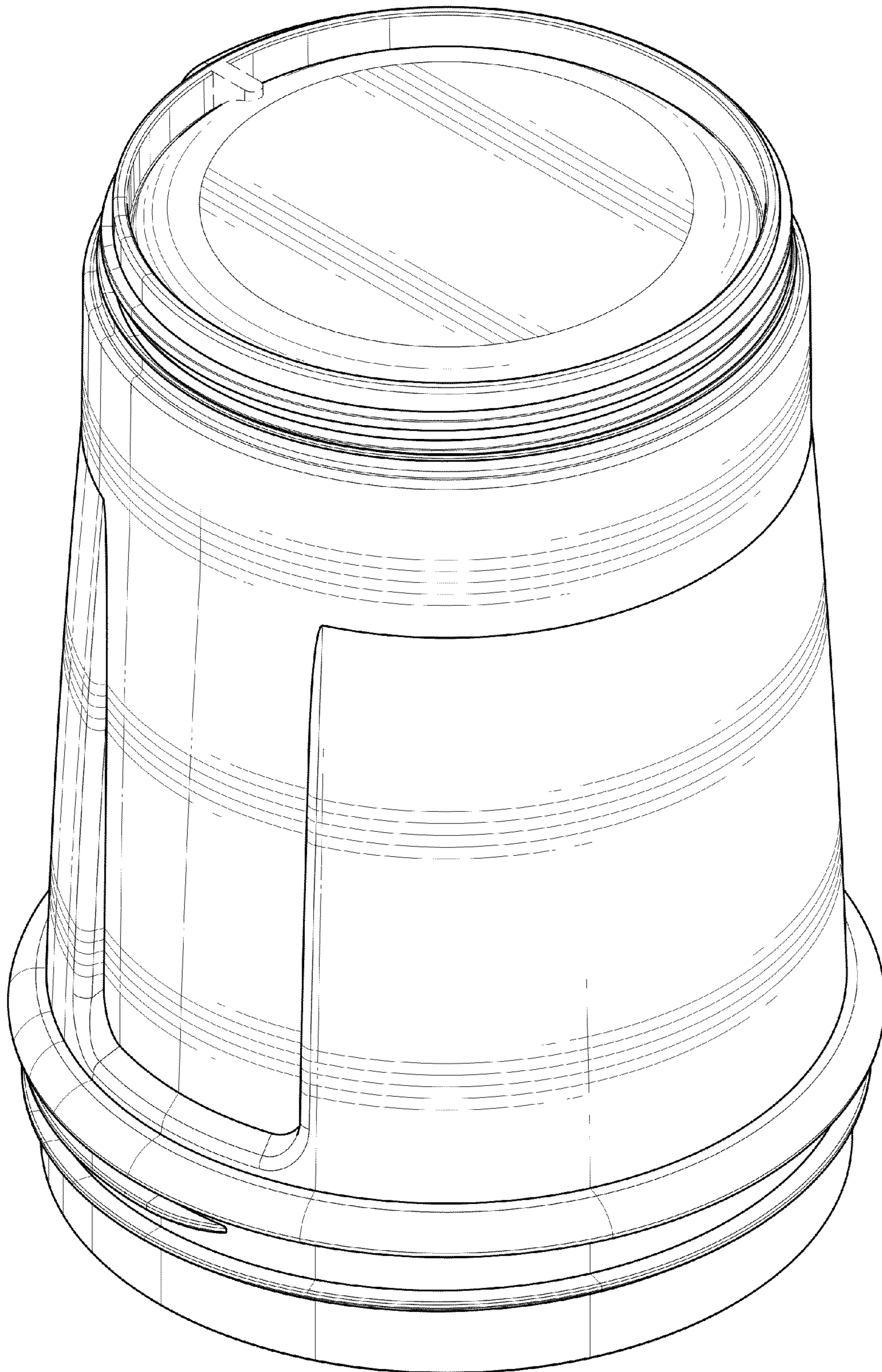


Fig. 3

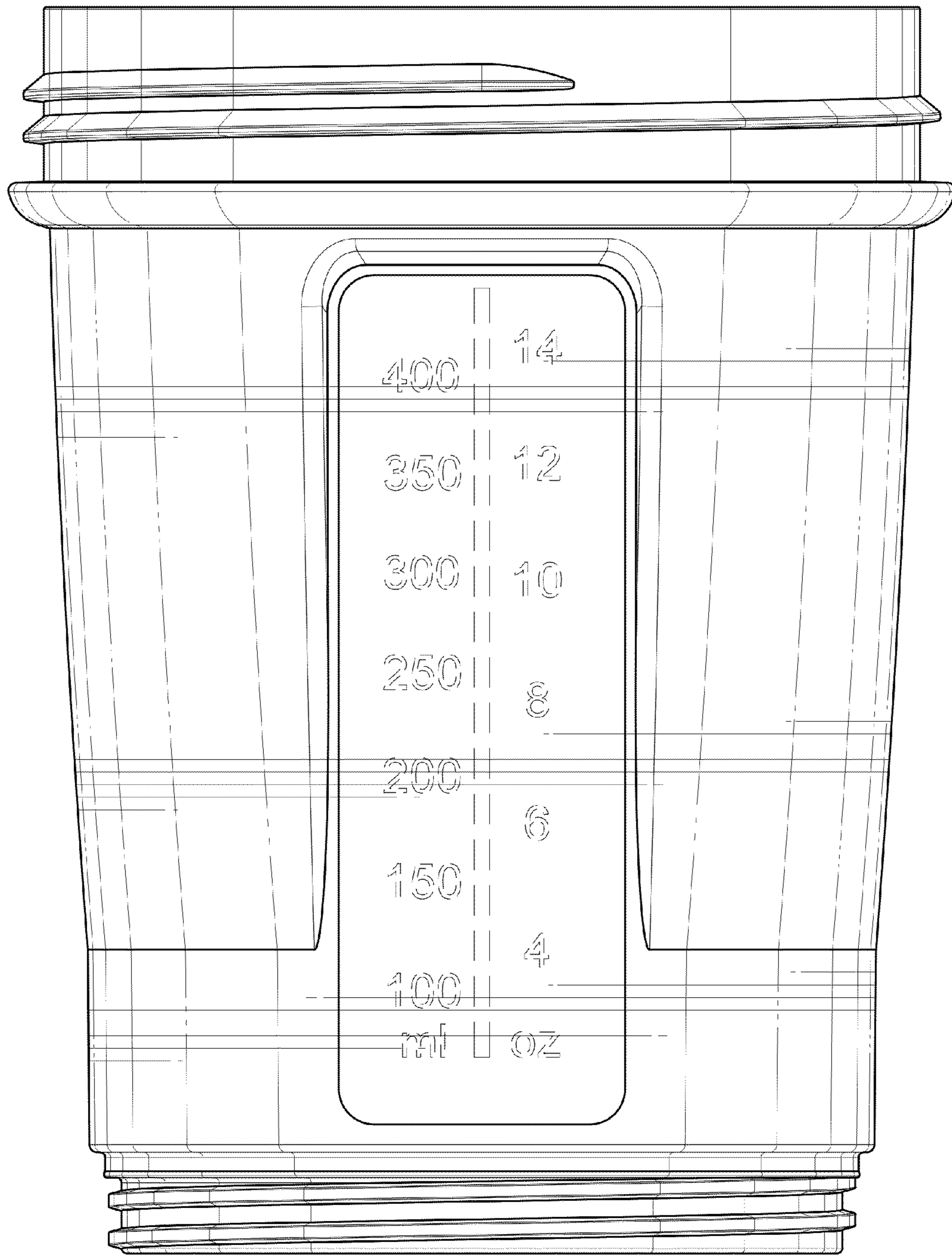


Fig. 4

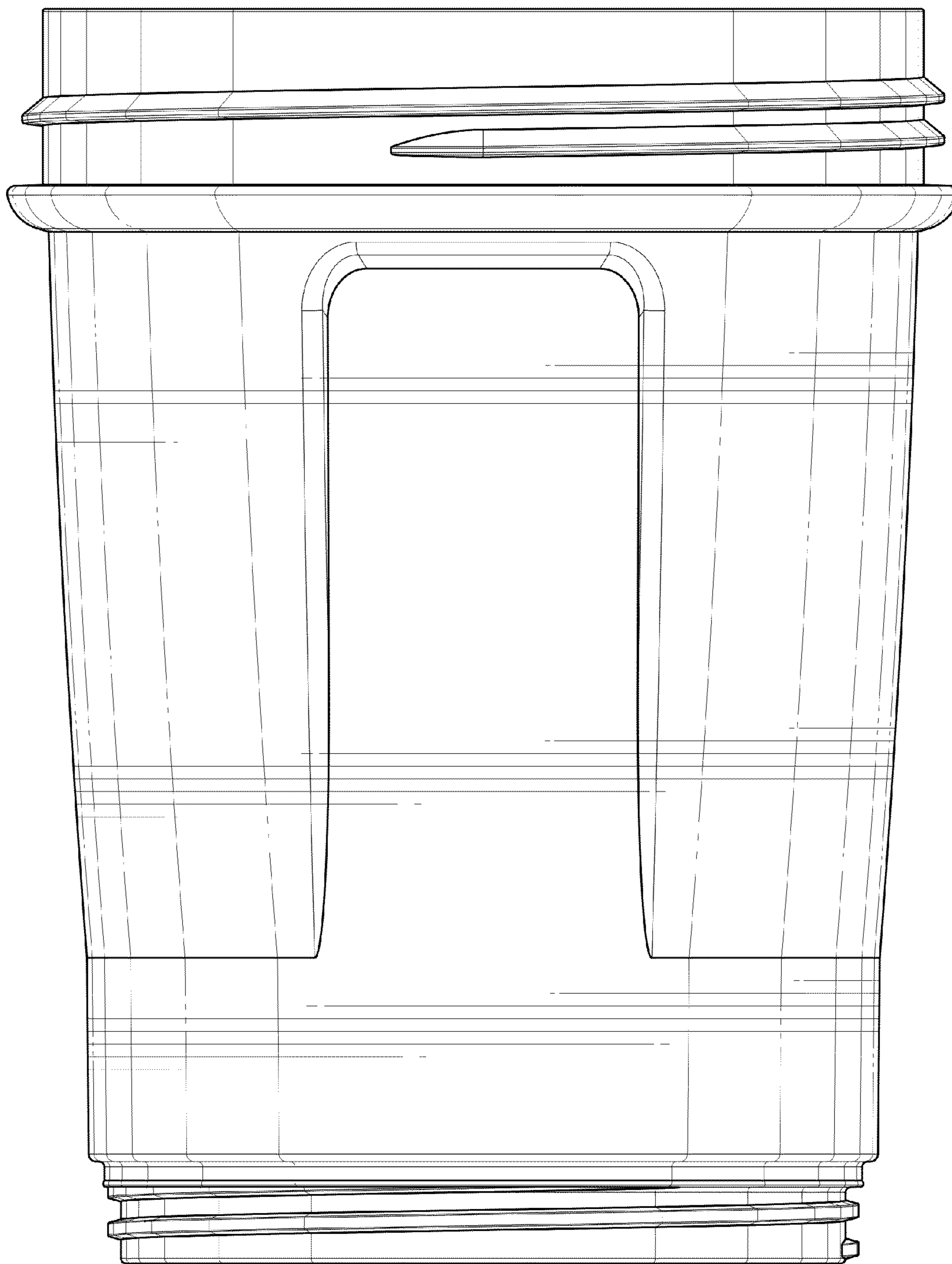


Fig. 5

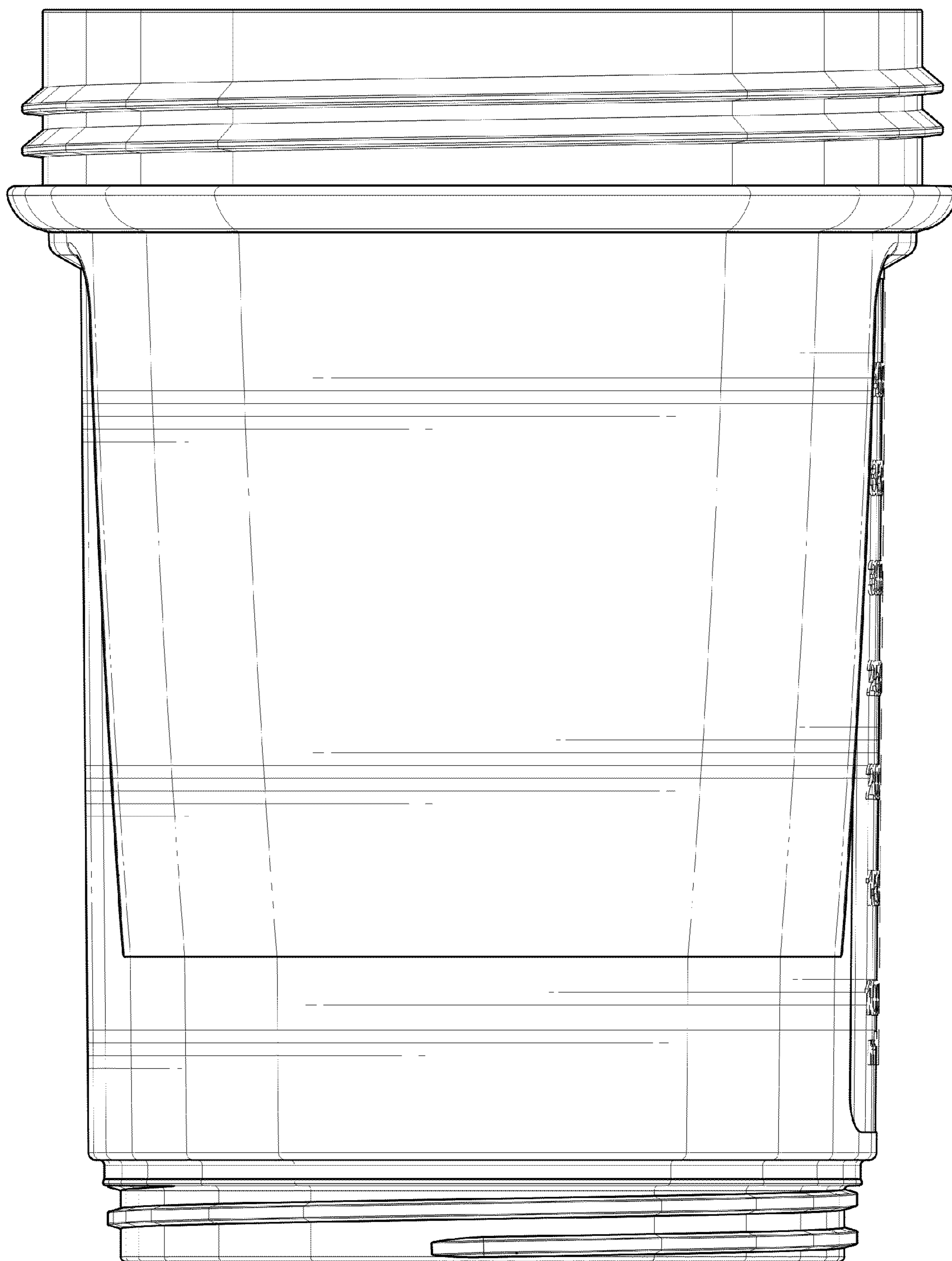


Fig. 6

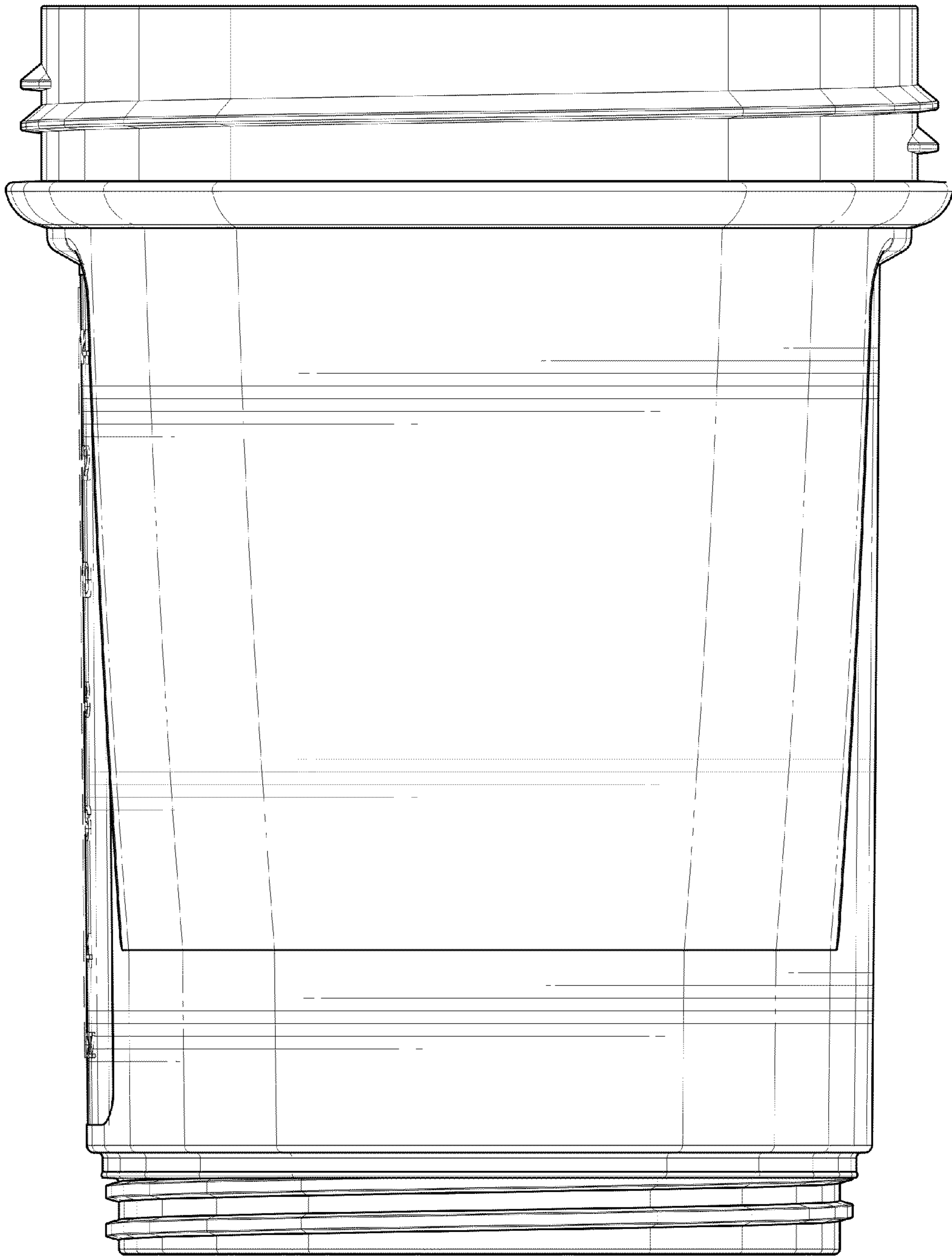


Fig. 7

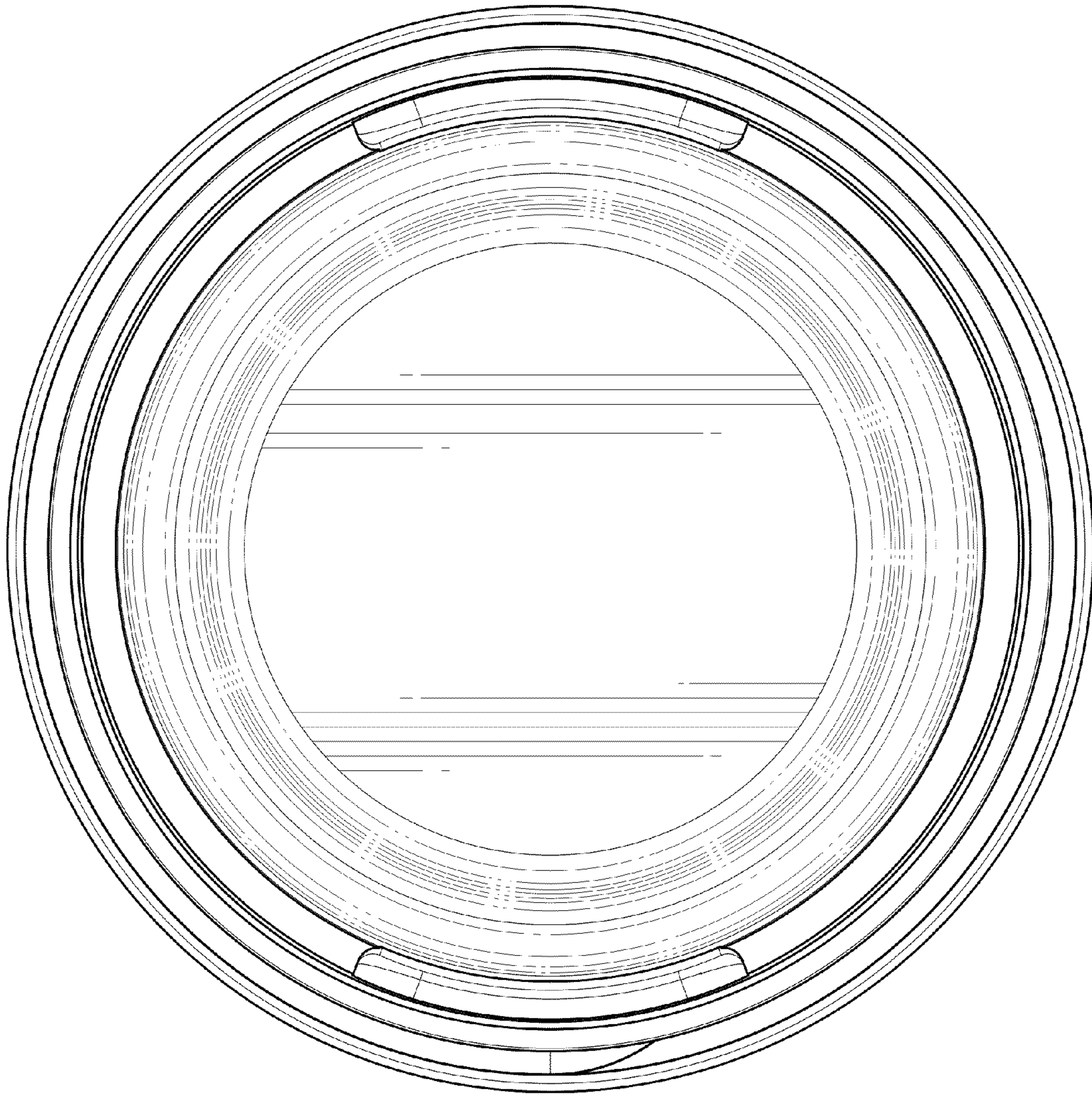


Fig. 8

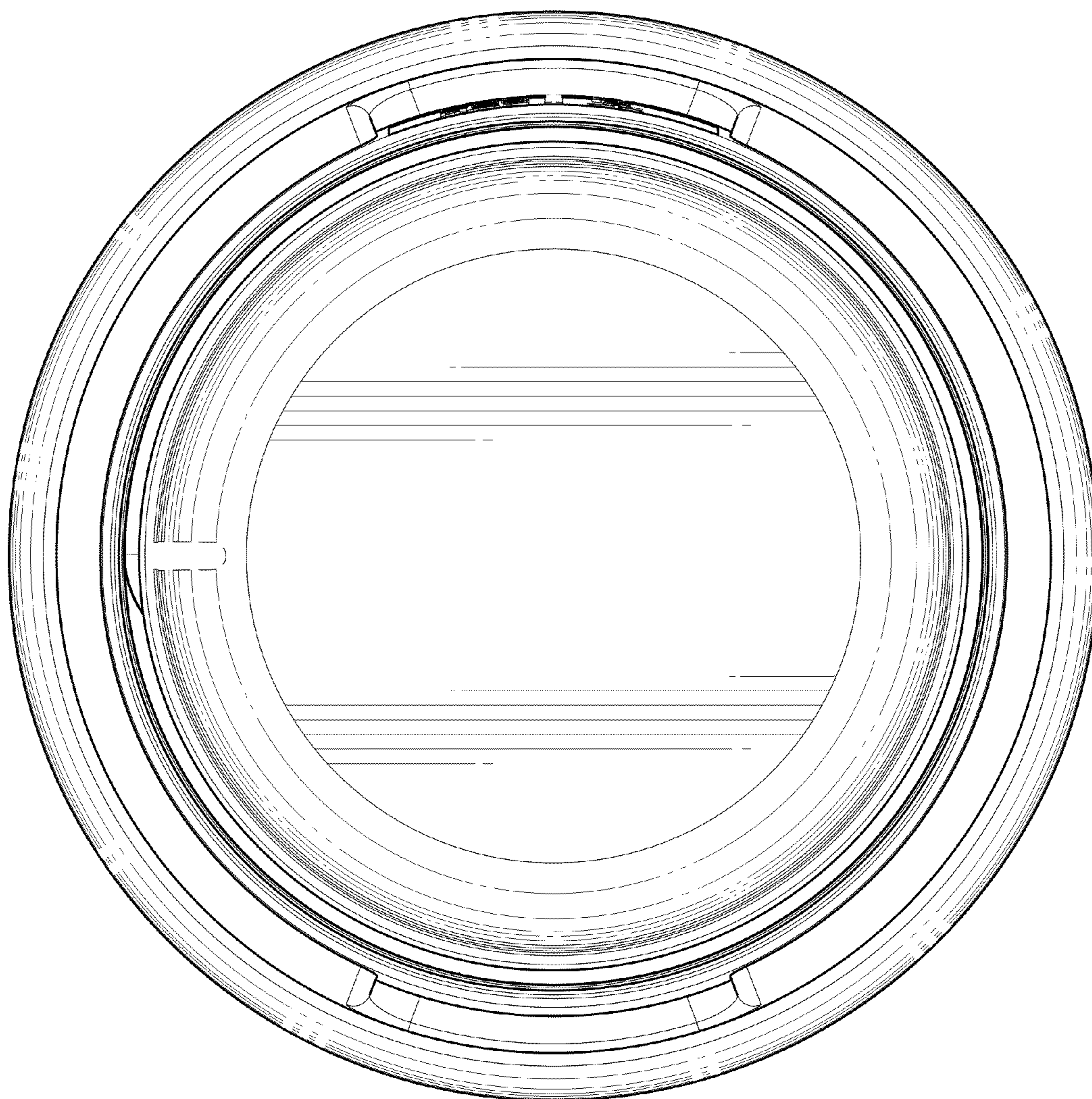


Fig. 9

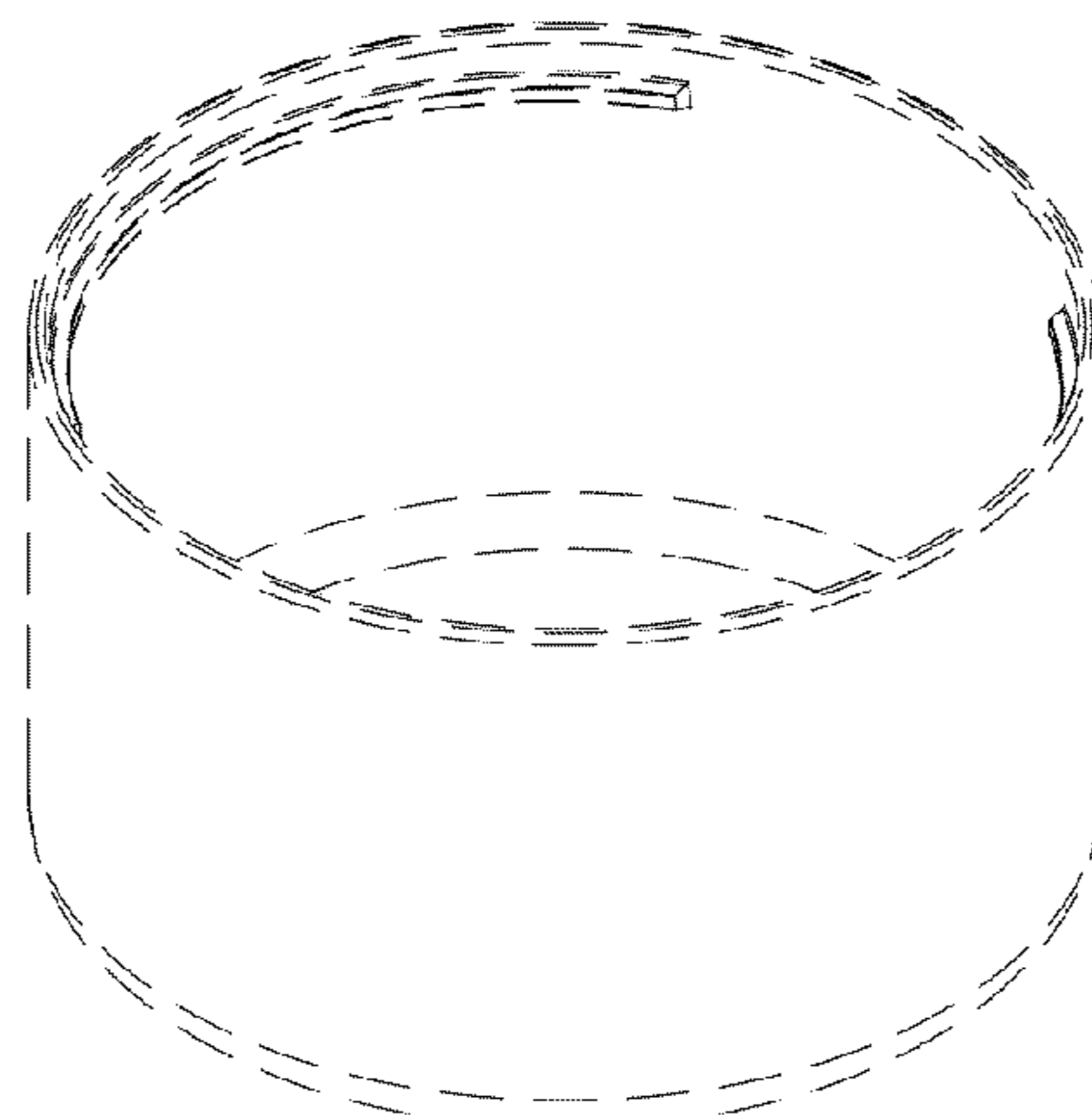
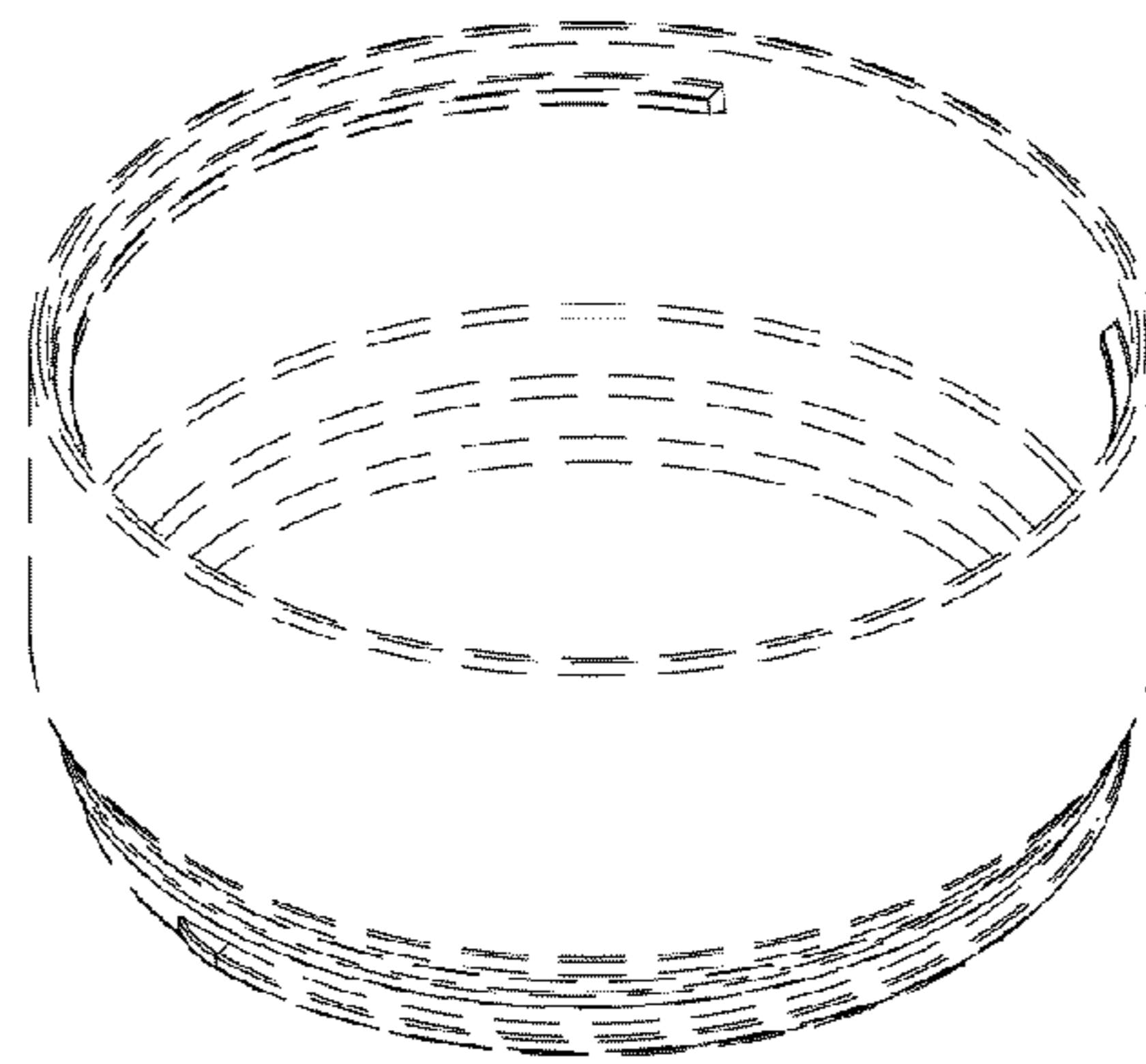
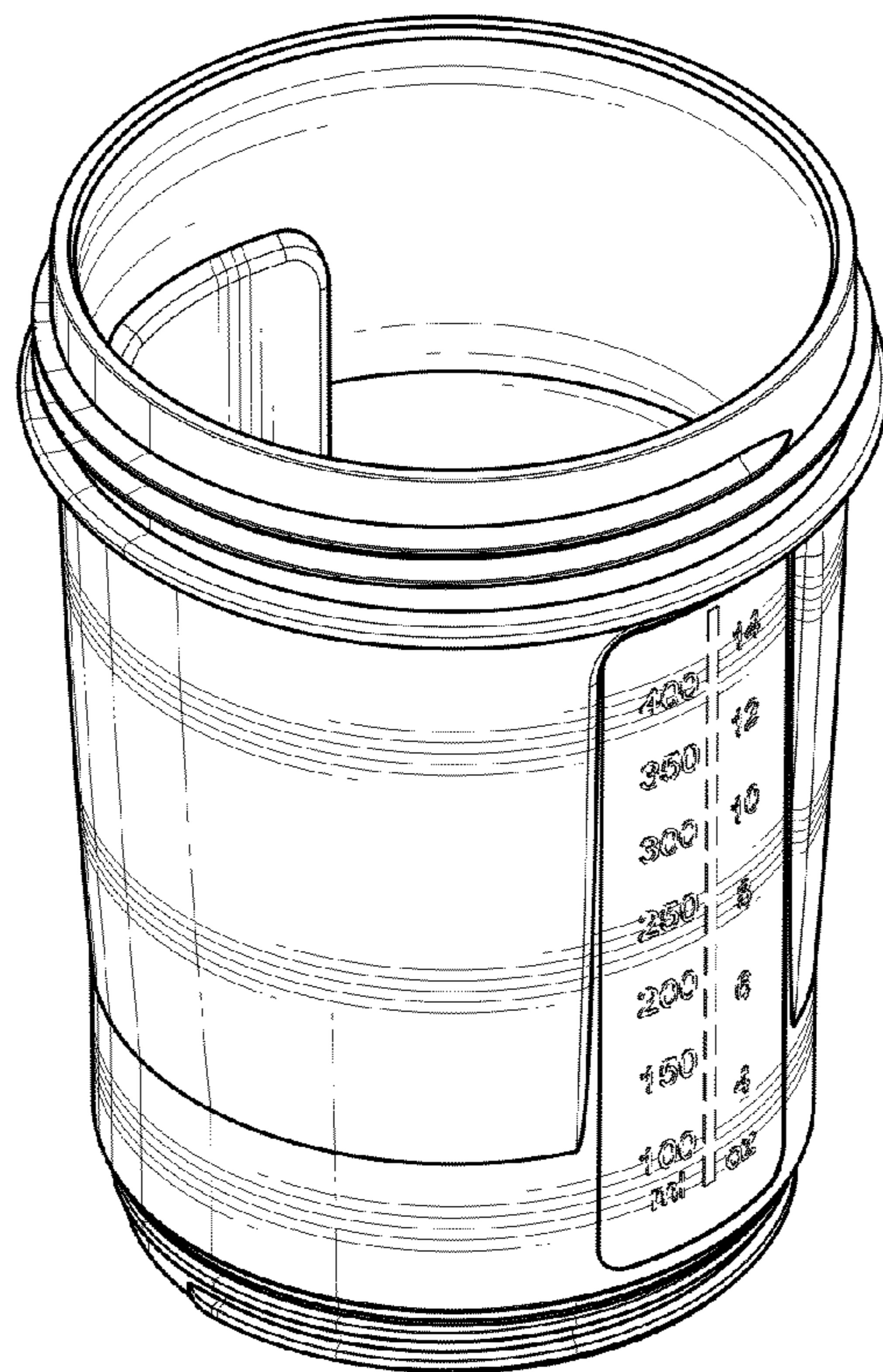


Fig. 10

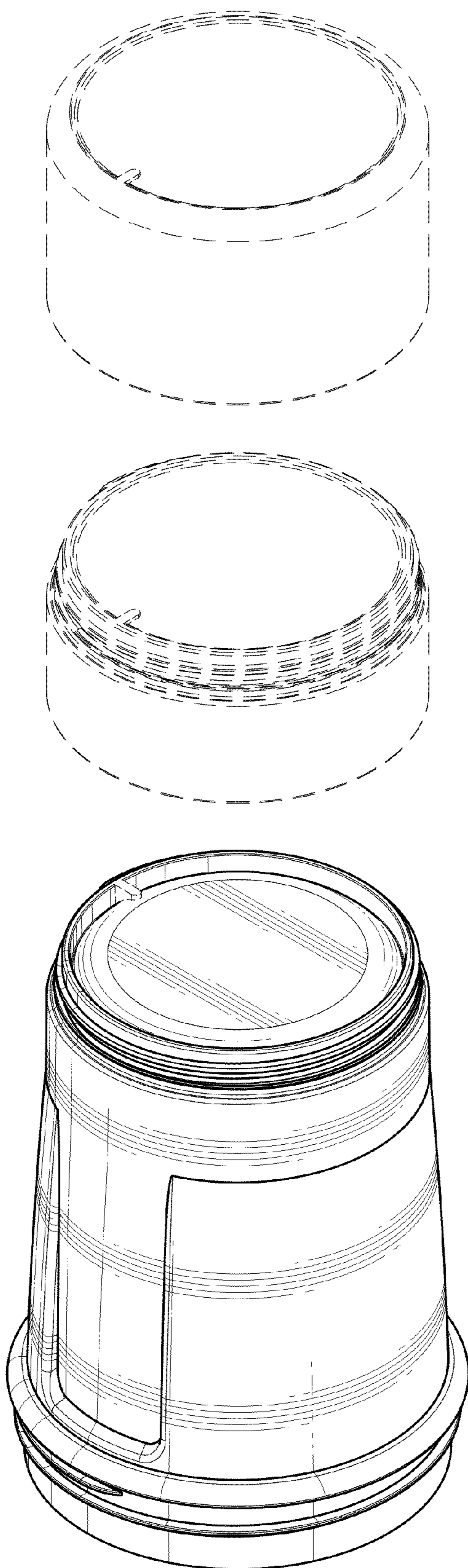


Fig. 11

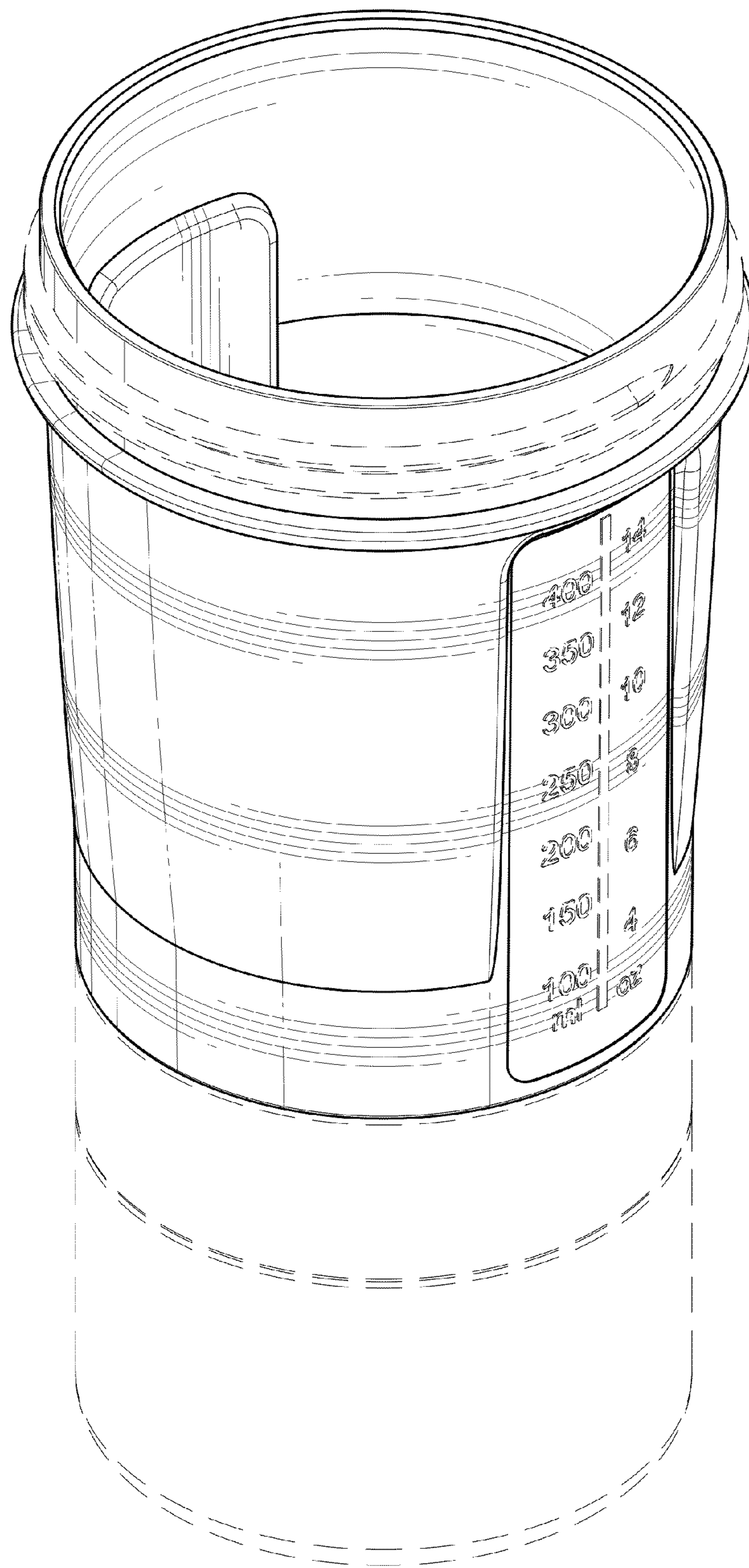


Fig. 12

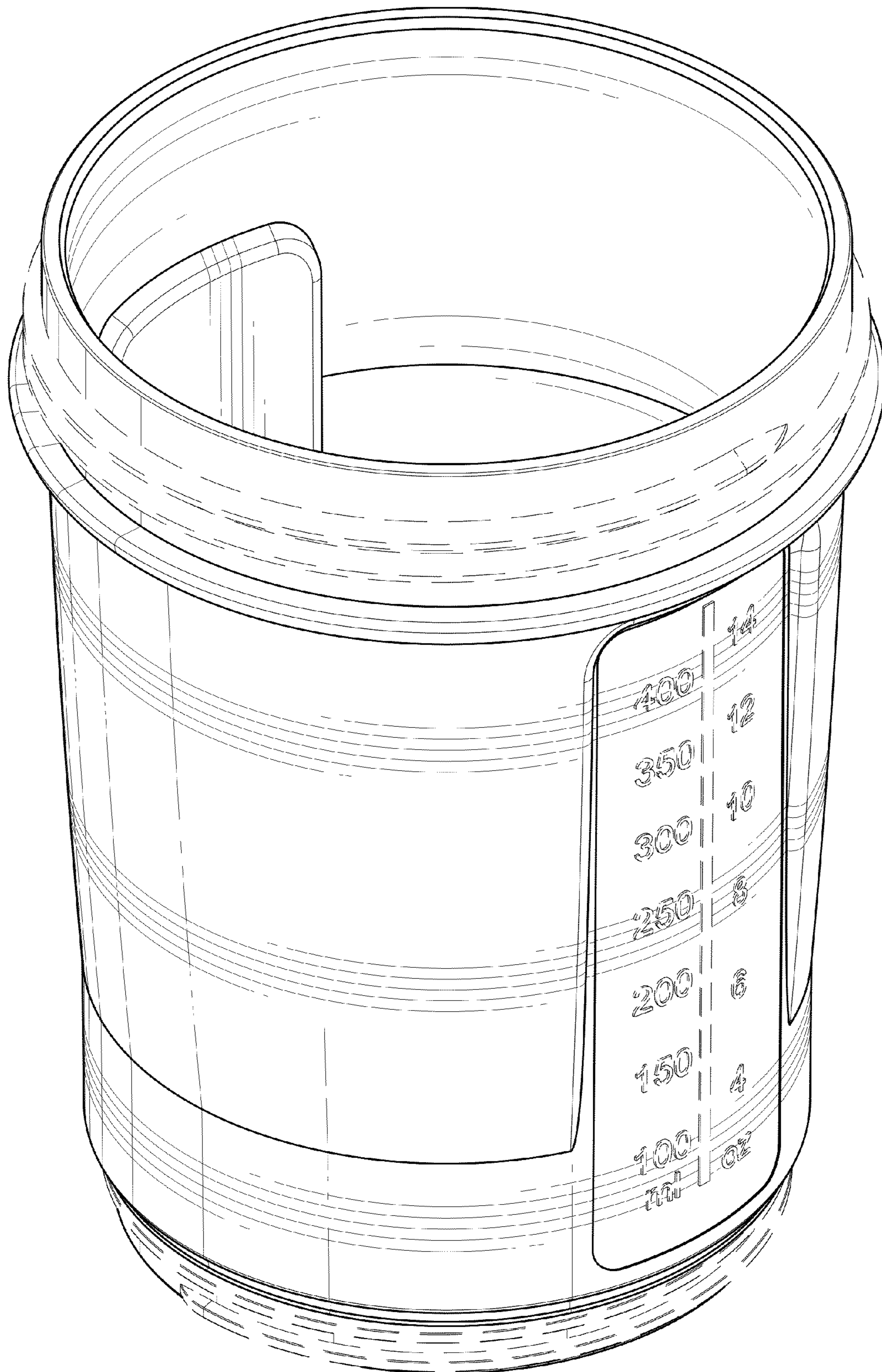


Fig. 13

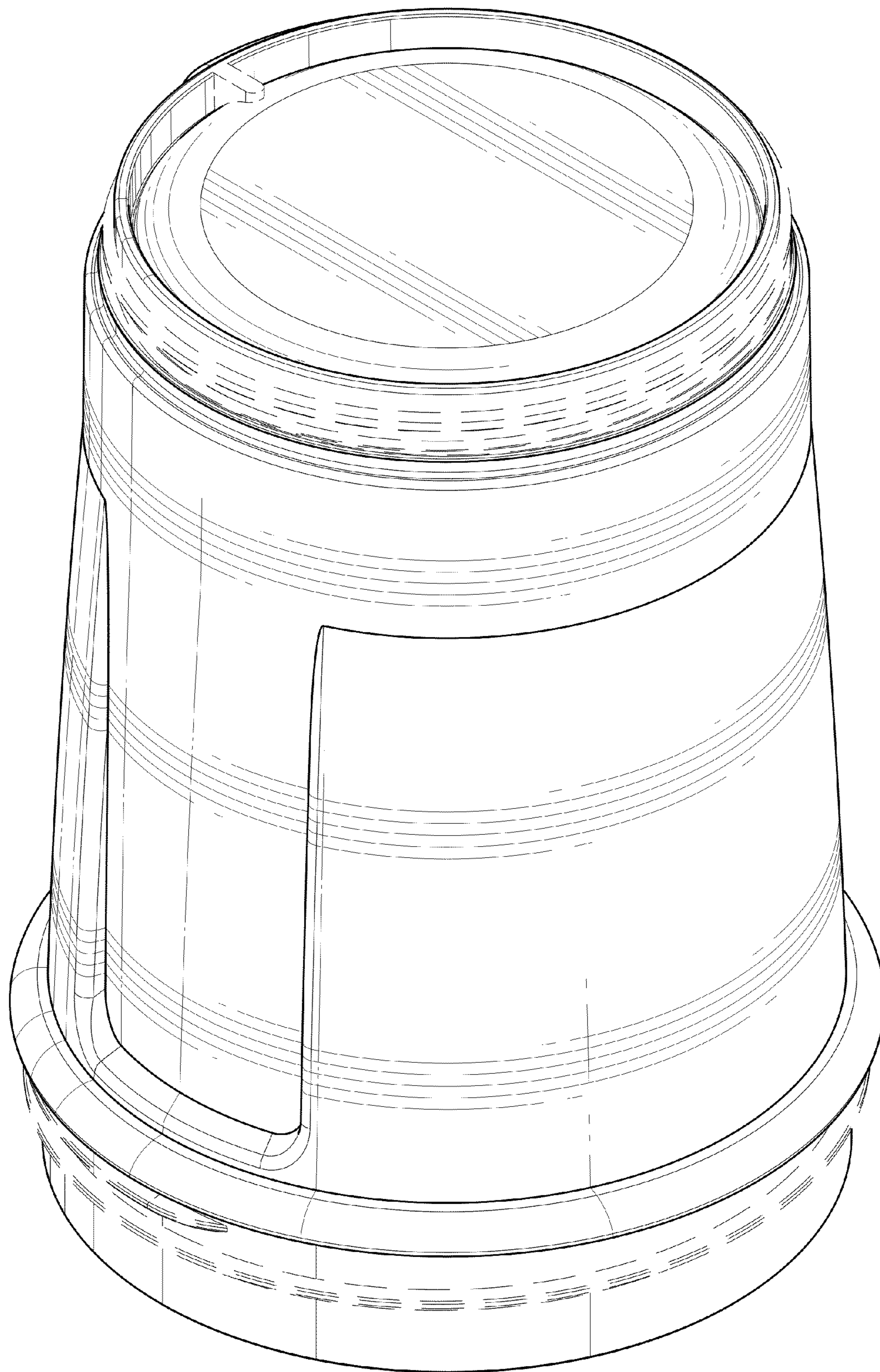


Fig. 14

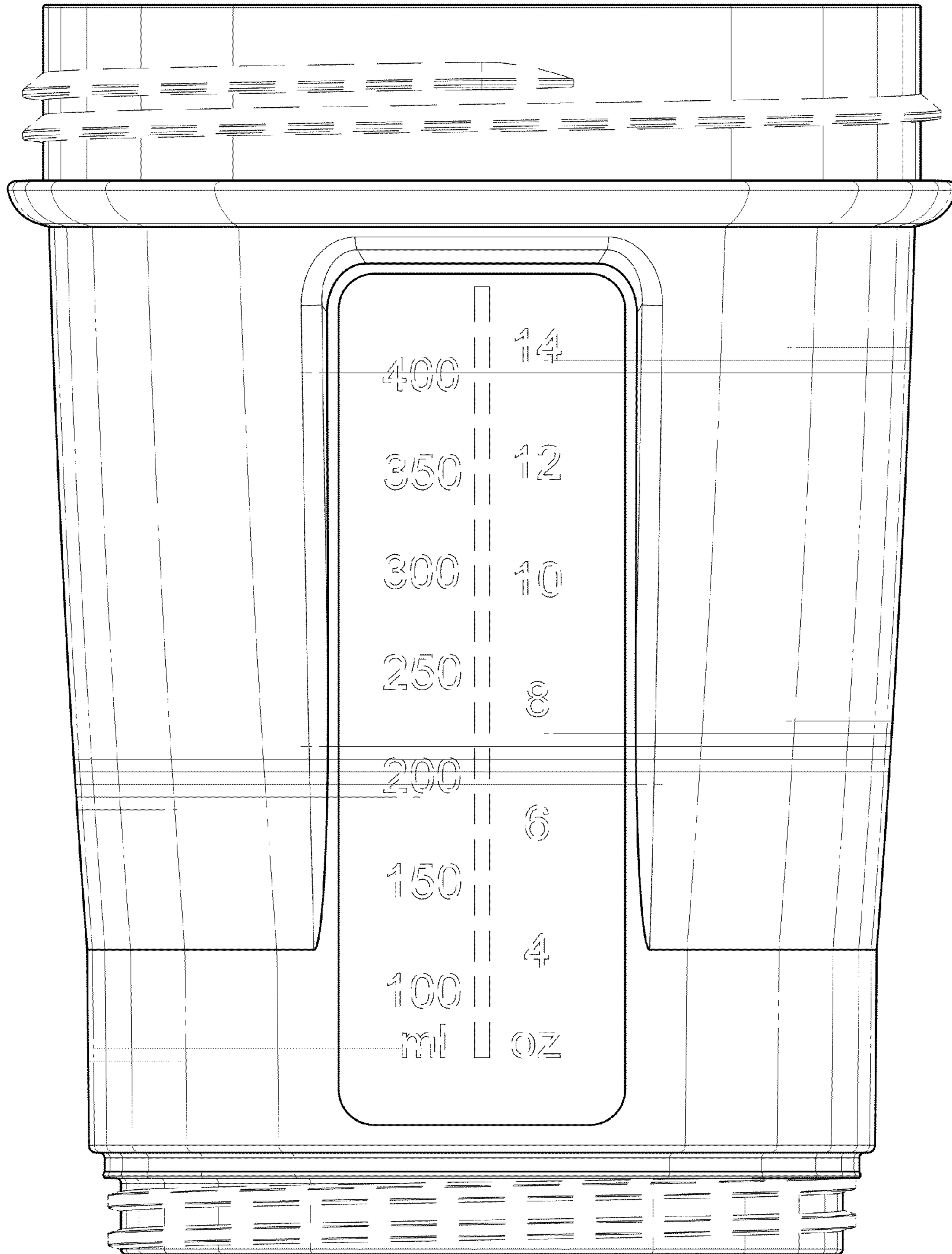


Fig. 15

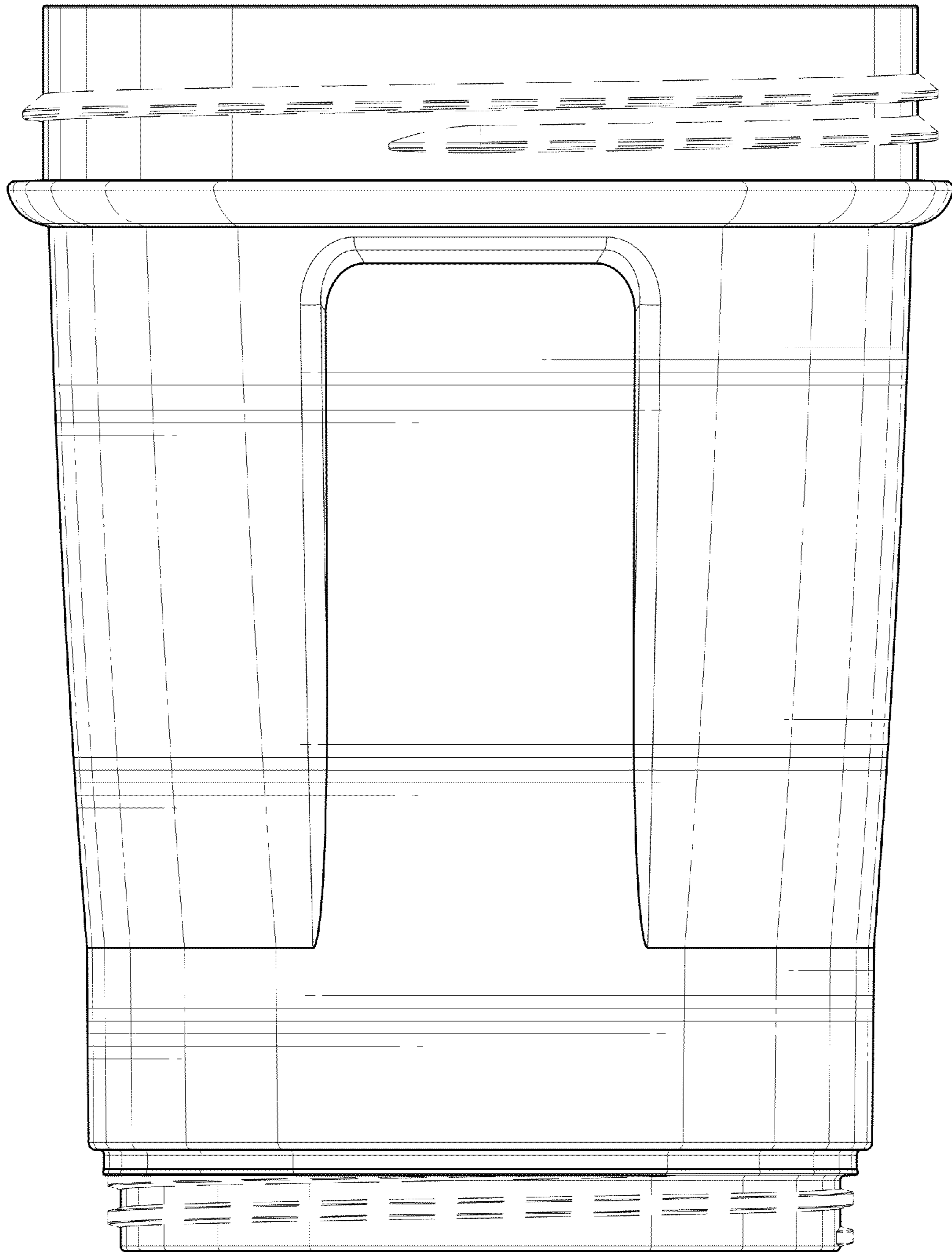


Fig. 16

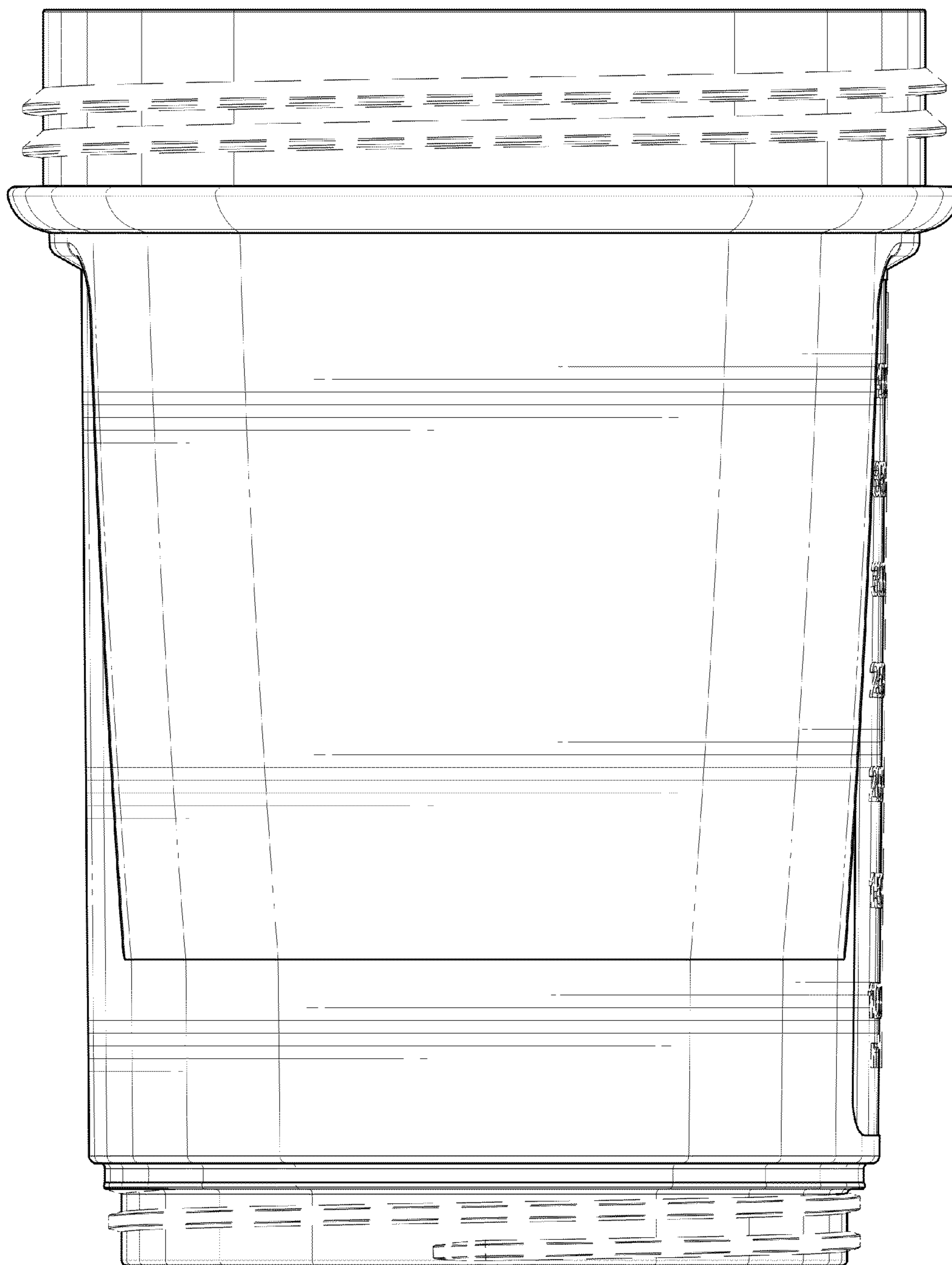


Fig. 17

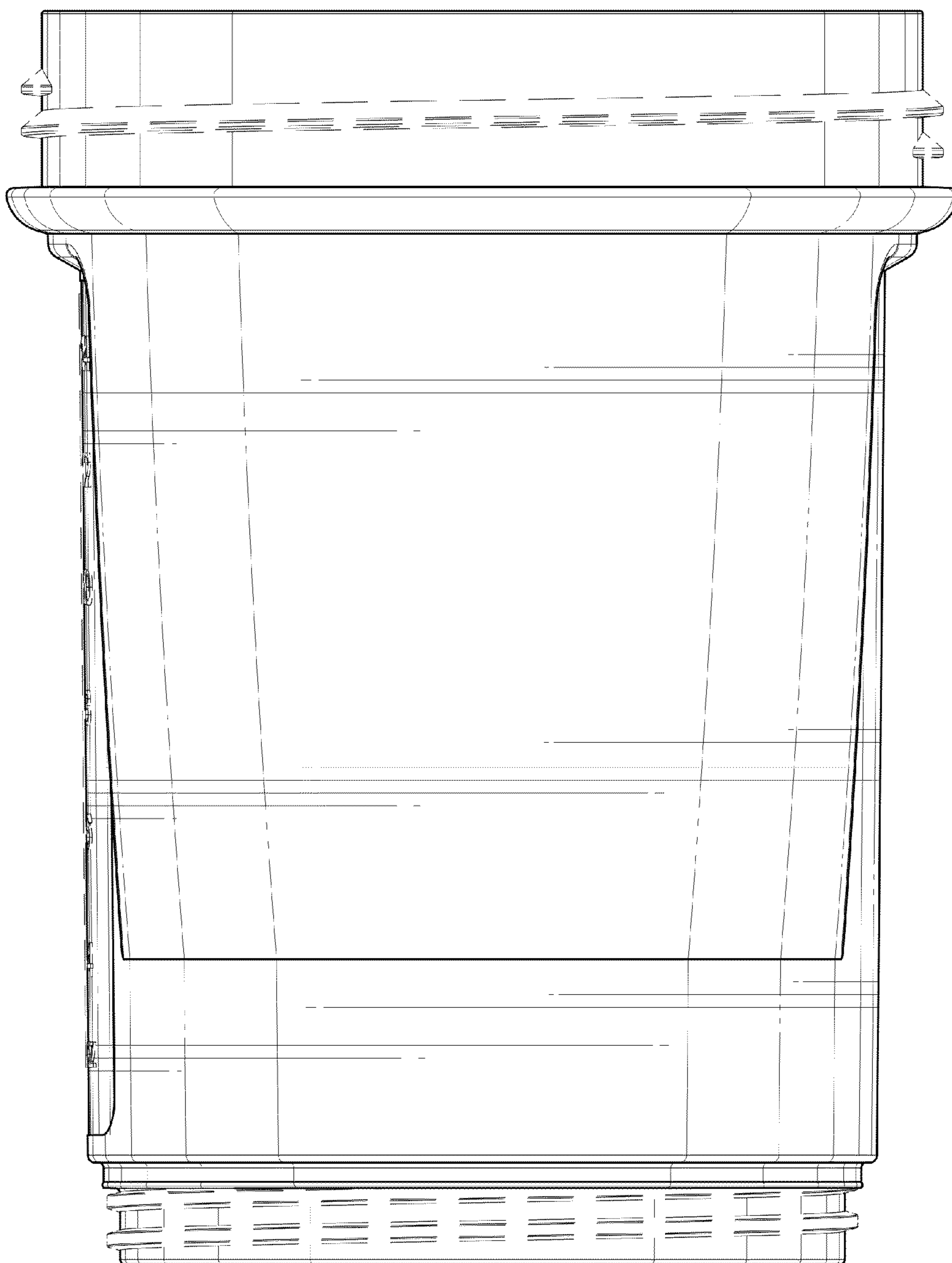


Fig. 18

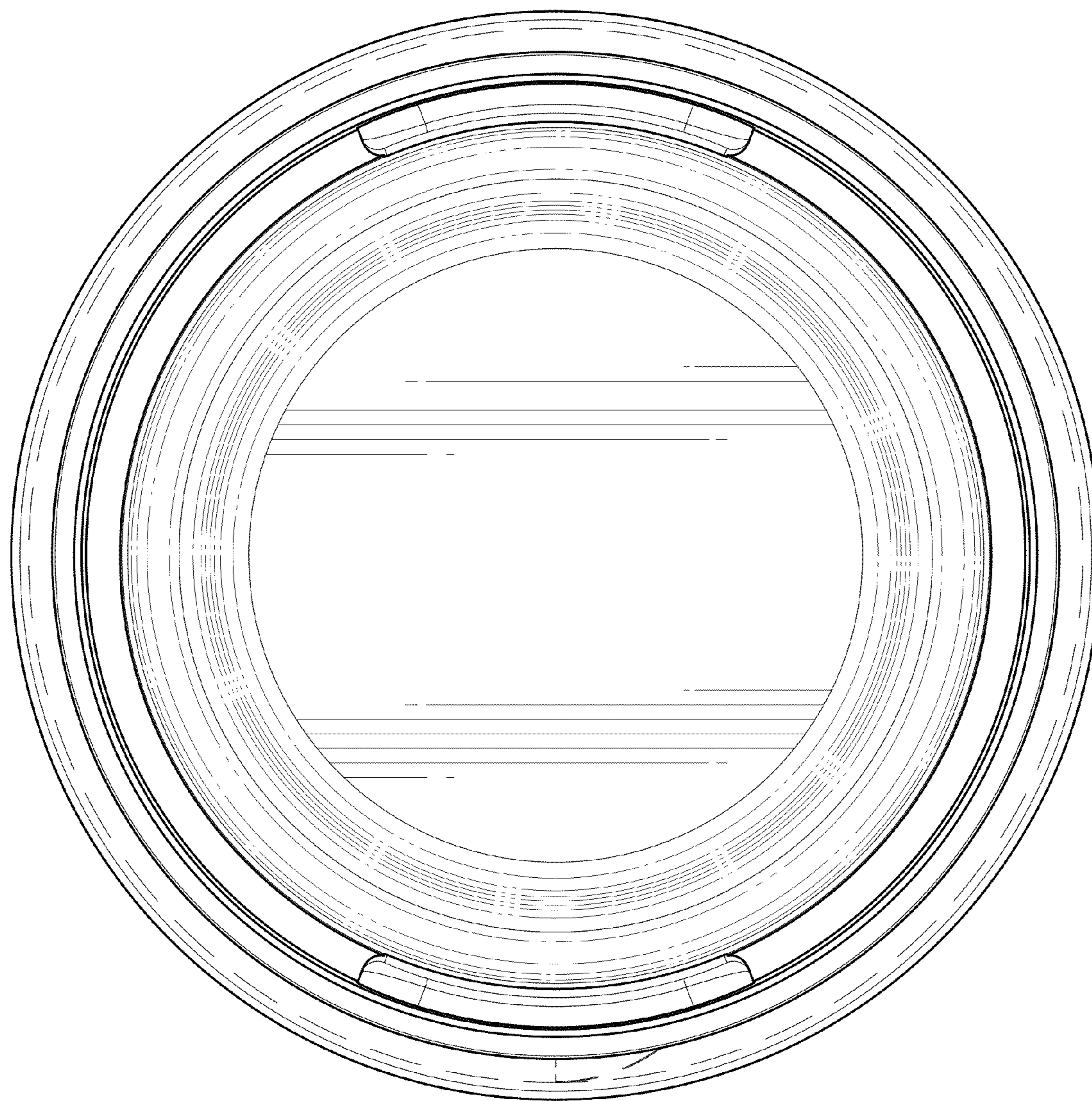


Fig. 19

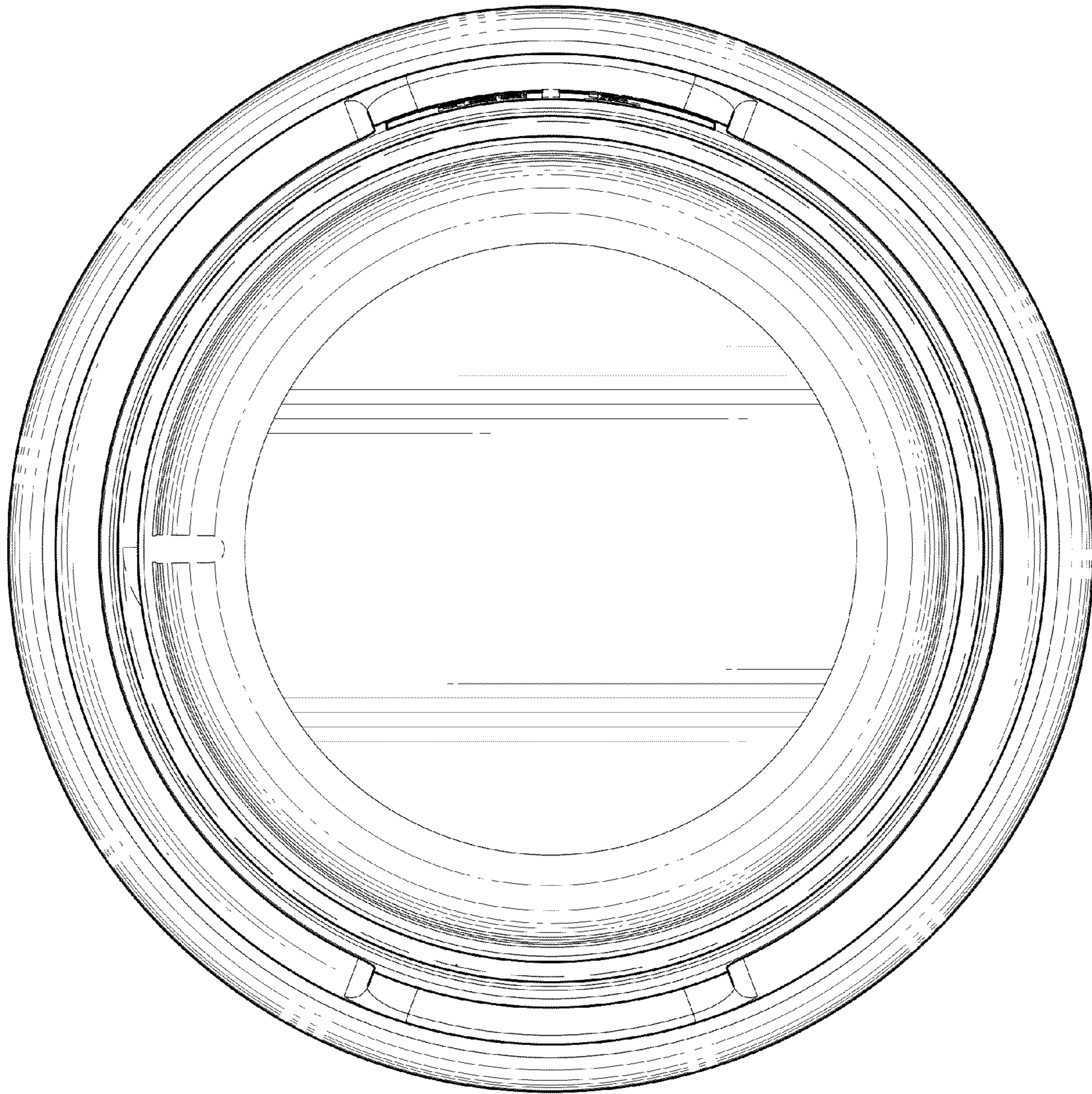


Fig. 20

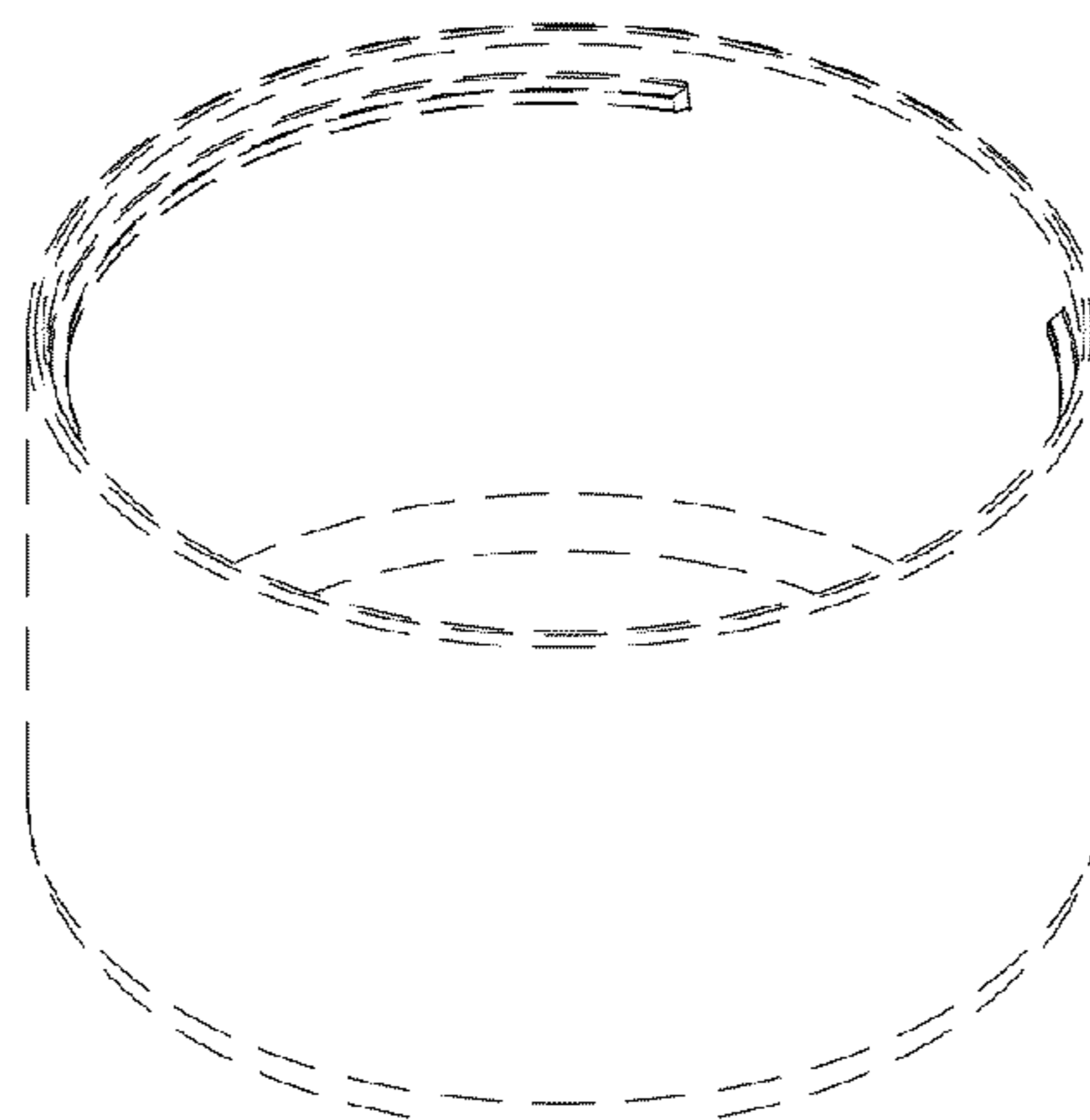
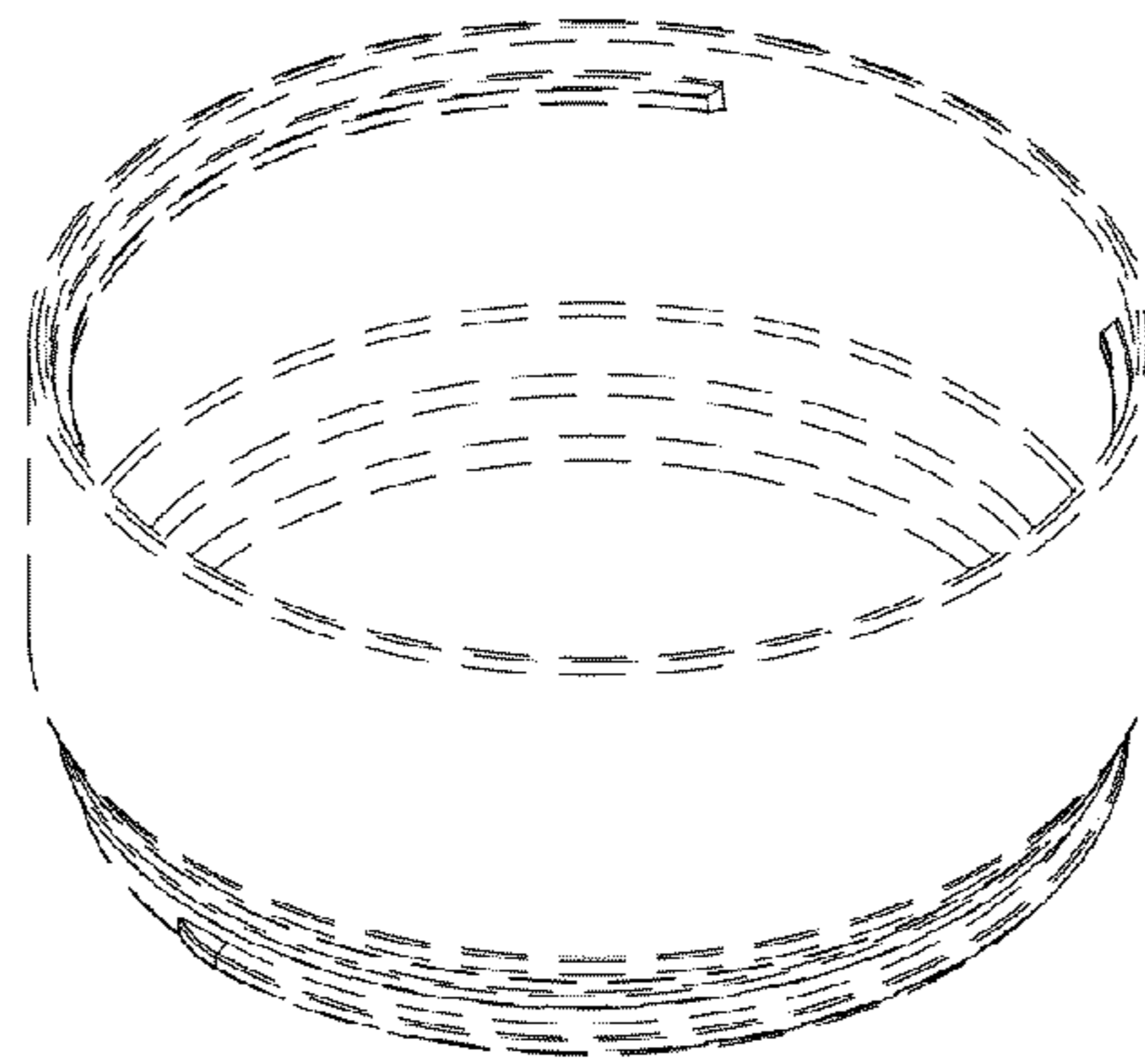
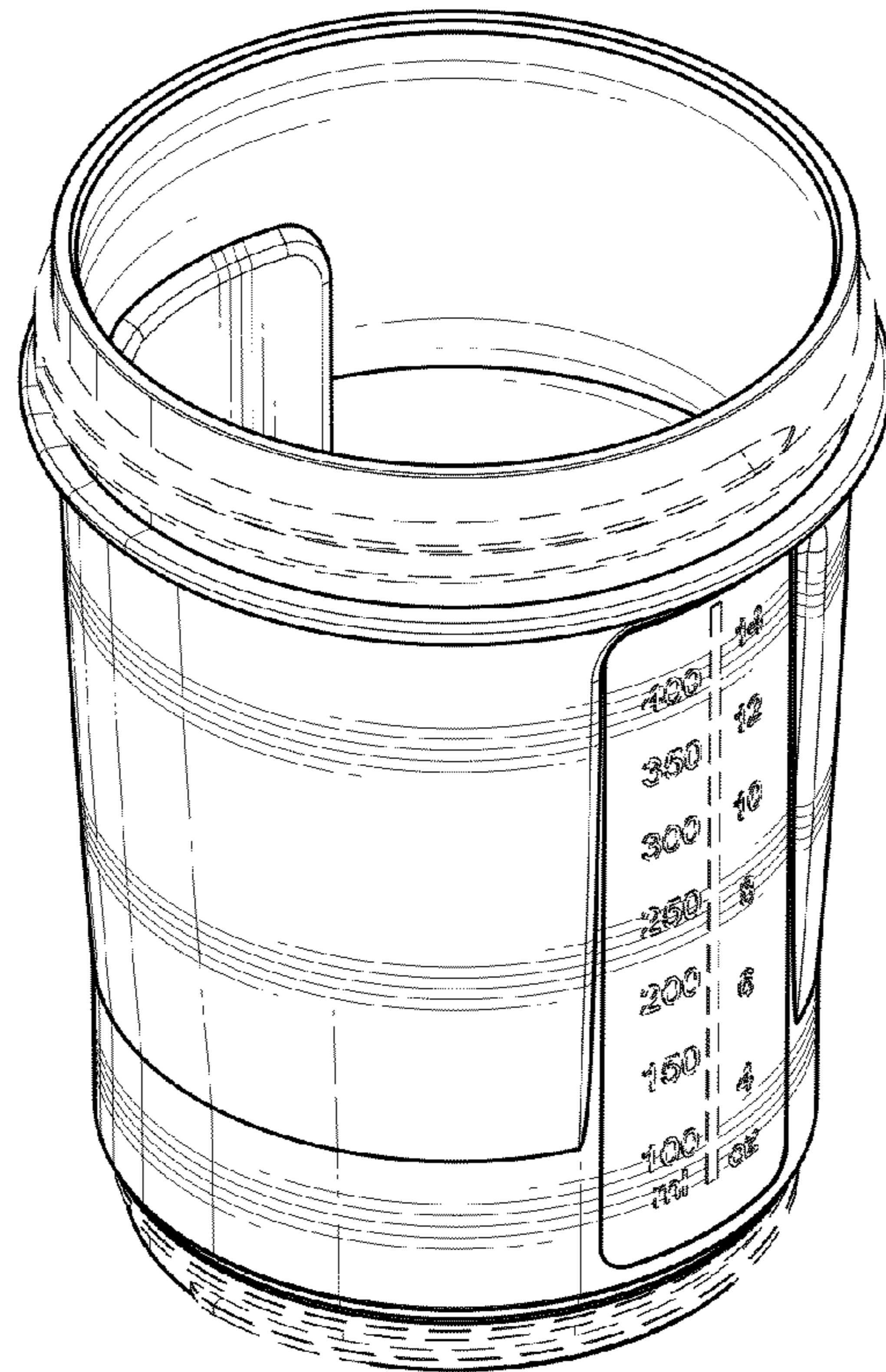


Fig. 21

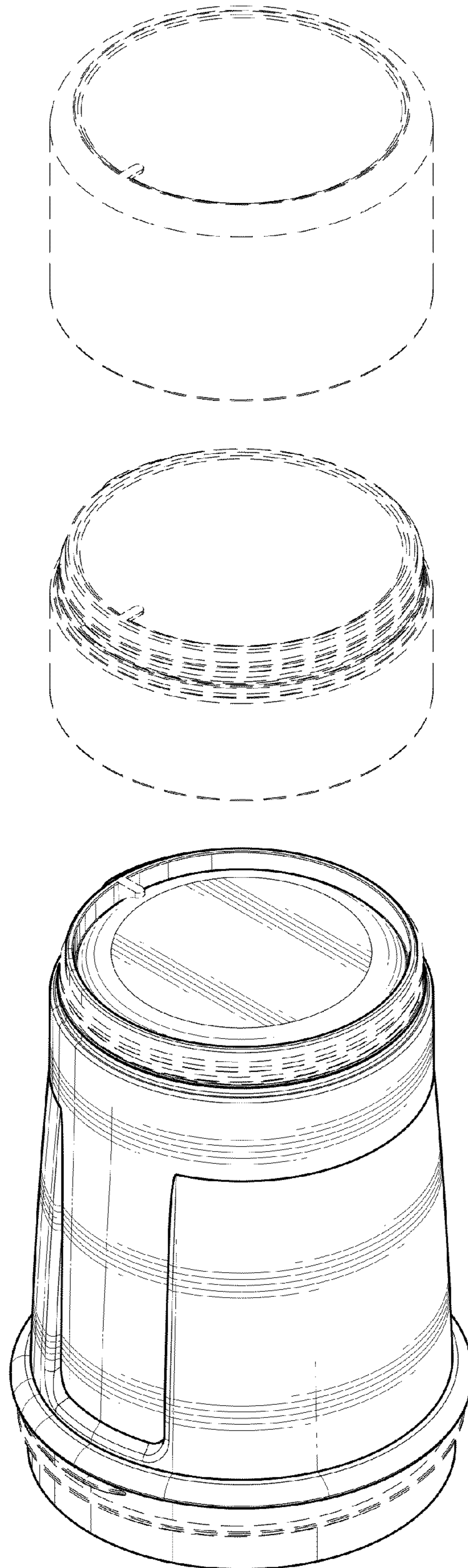


Fig. 22