



US00D732338S

(12) **United States Design Patent**  
**Boroski**

(10) **Patent No.:** **US D732,338 S**

(45) **Date of Patent:** **\*\* \*Jun. 23, 2015**

(54) **BANDED DRINK BOTTLE WITH LID FOR USE WITH STRAW**

(71) Applicant: **THERMOS L.L.C.**, Schaumburg, IL (US)

(72) Inventor: **Dwayne Boroski**, Lake in the Hills, IL (US)

(73) Assignee: **Thermos L.L.C.**, Schaumburg, IL (US)

(\*) Notice: This patent is subject to a terminal disclaimer.

(\*\*) Term: **14 Years**

(21) Appl. No.: **29/447,260**

(22) Filed: **Mar. 1, 2013**

(51) **LOC (10) Cl.** ..... **07-01**

(52) **U.S. Cl.**  
USPC ..... **D7/507**; D7/510; D7/511

(58) **Field of Classification Search**  
USPC ..... D7/608, 509, 510, 511, 397, 396.2, D7/396.4, 622, 507; D34/1; D9/455, 539, D9/719, 503, 717; 222/548; 220/254.1, 220/715, 709; 206/220; 215/307; 210/120, 210/136  
CPC ..... **A45F 3/16**  
See application file for complete search history.

(56) **References Cited**

**U.S. PATENT DOCUMENTS**

4,508,235	A *	4/1985	Steele et al.	.....	215/307
5,545,315	A *	8/1996	Lonneman	.....	210/120
6,065,635	A *	5/2000	Sullivan	.....	220/709
6,427,864	B1 *	8/2002	Asselin	.....	220/709
6,523,711	B1 *	2/2003	Hughes et al.	.....	220/709
7,172,085	B2 *	2/2007	Beaudette	.....	215/11.1
D622,546	S *	8/2010	Bodum	.....	D7/510
RE42,484	E *	6/2011	Kitamura et al.	.....	D7/510

D660,082	S *	5/2012	Wahl	.....	D7/510
8,276,783	B2 *	10/2012	Lee	.....	220/780
D676,277	S *	2/2013	Riedel et al.	.....	D7/396.1
D685,446	S *	7/2013	Williams	.....	D22/113
D686,040	S *	7/2013	Lane	.....	D7/608

\* cited by examiner

*Primary Examiner* — Marianne Pandozzi

(74) *Attorney, Agent, or Firm* — Polsinelli PC

(57) **CLAIM**

The ornamental design of the banded drink bottle with lid for use with straw, as shown and described.

**DESCRIPTION**

FIG. 1 is a perspective view taken from the upper, front, right-hand side of the banded drink bottle with lid for use with straw of a first embodiment of the present invention;

FIG. 2 is a perspective view taken from the lower, rear, left-hand side of the banded drink bottle with lid for use with straw of FIG. 1;

FIG. 3 is a side elevational view thereof, all sides are the same;

FIG. 4 is a top plan view of the banded drink bottle with lid for use with straw of FIG. 1;

FIG. 5 is a bottom plan view of the banded drink bottle with lid for use with straw of FIG. 1;

FIG. 6 is a perspective view taken from the upper, front, right-hand side view of the banded drink bottle with lid for use with straw showing a second embodiment of the present invention;

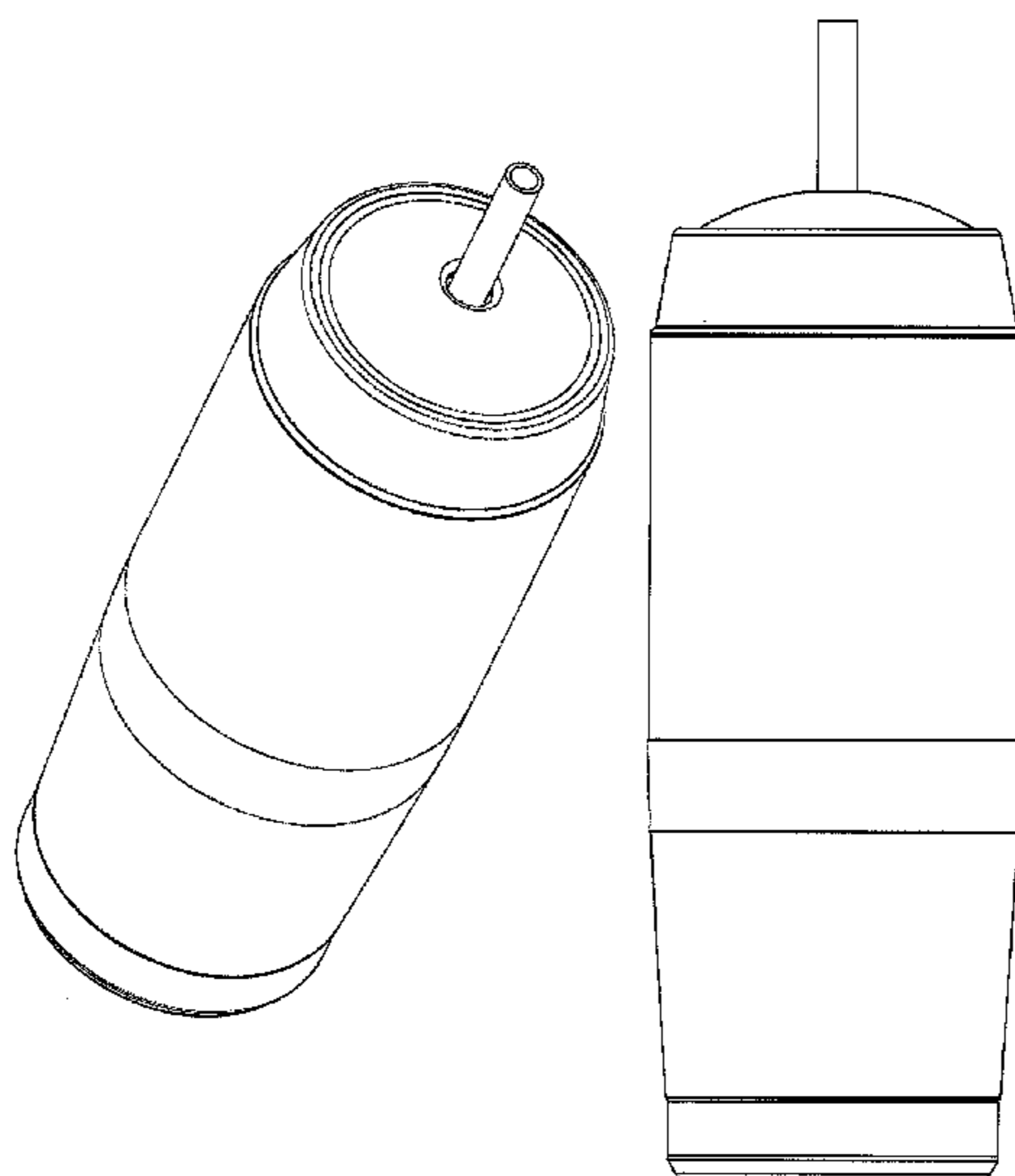
FIG. 7 is a perspective view taken from the lower, rear, left-hand side of the banded drink bottle with lid for use with straw of FIG. 6;

FIG. 8 is a side elevational view thereof, all sides are the same;

FIG. 9 is a top plan view of the banded drink bottle with lid for use with straw of FIG. 6; and,

FIG. 10 is a bottom plan view of the banded drink bottle with lid for use with straw of FIG. 6.

**1 Claim, 8 Drawing Sheets**



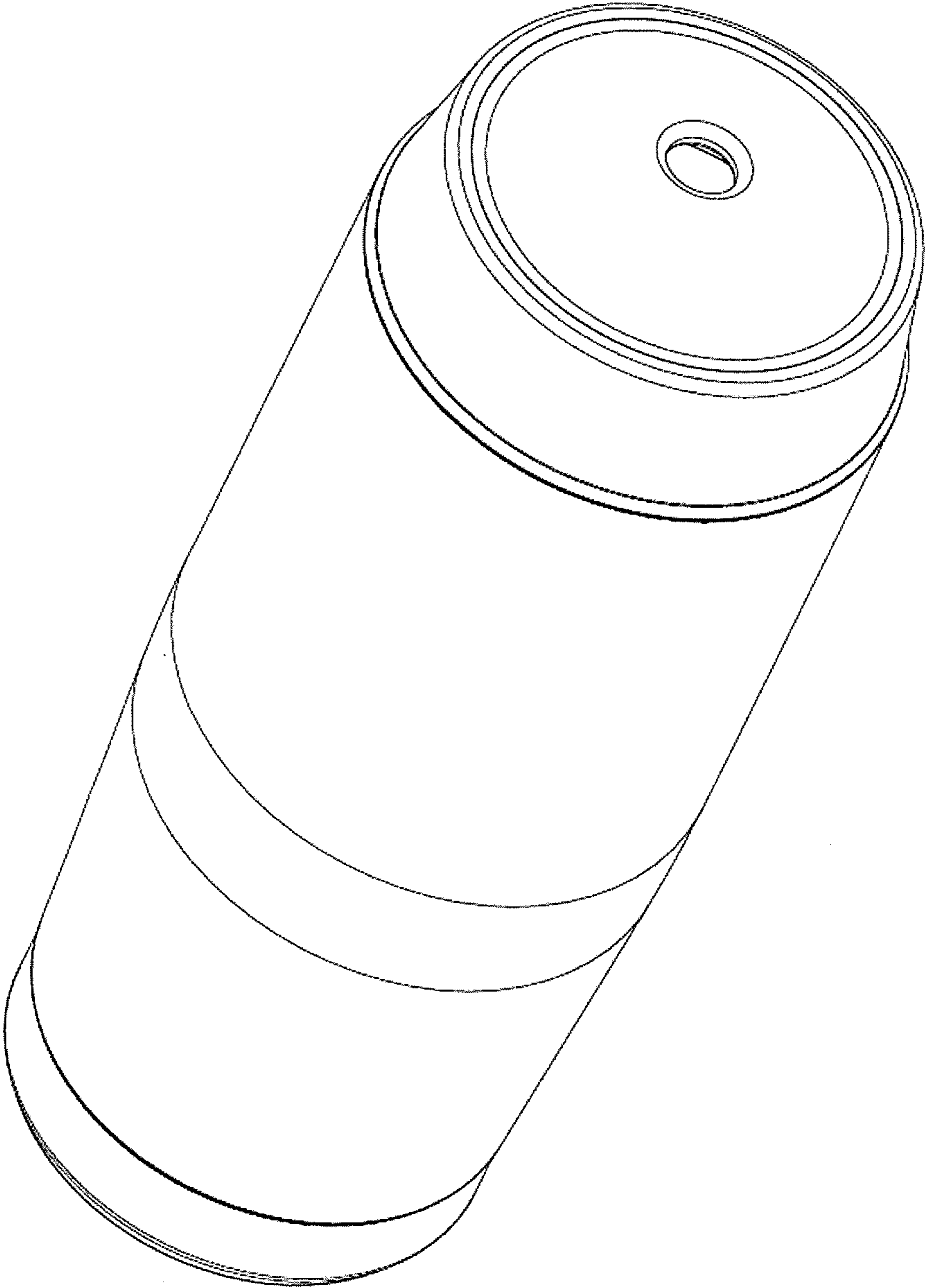


Figure 1

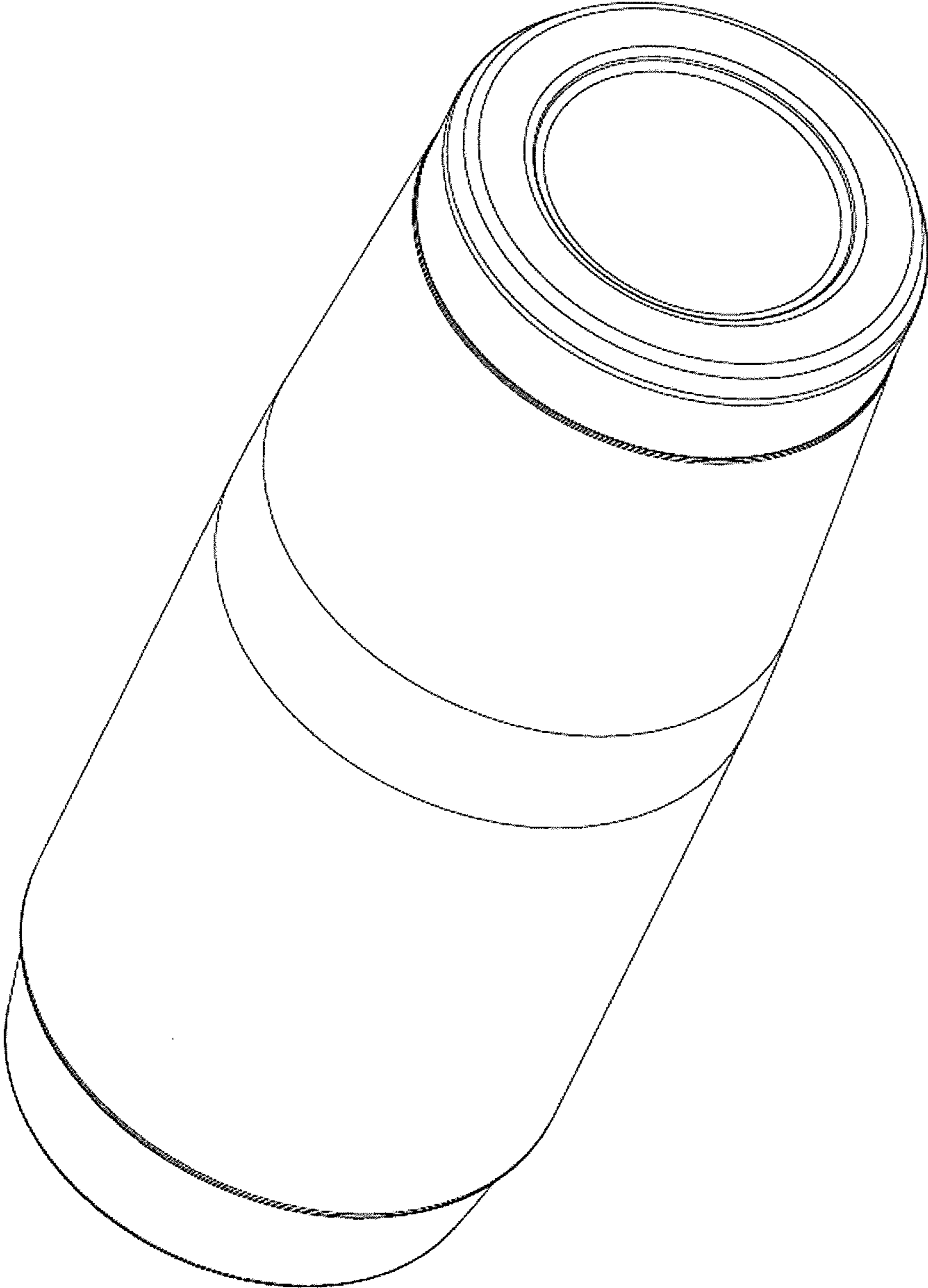


Figure 2

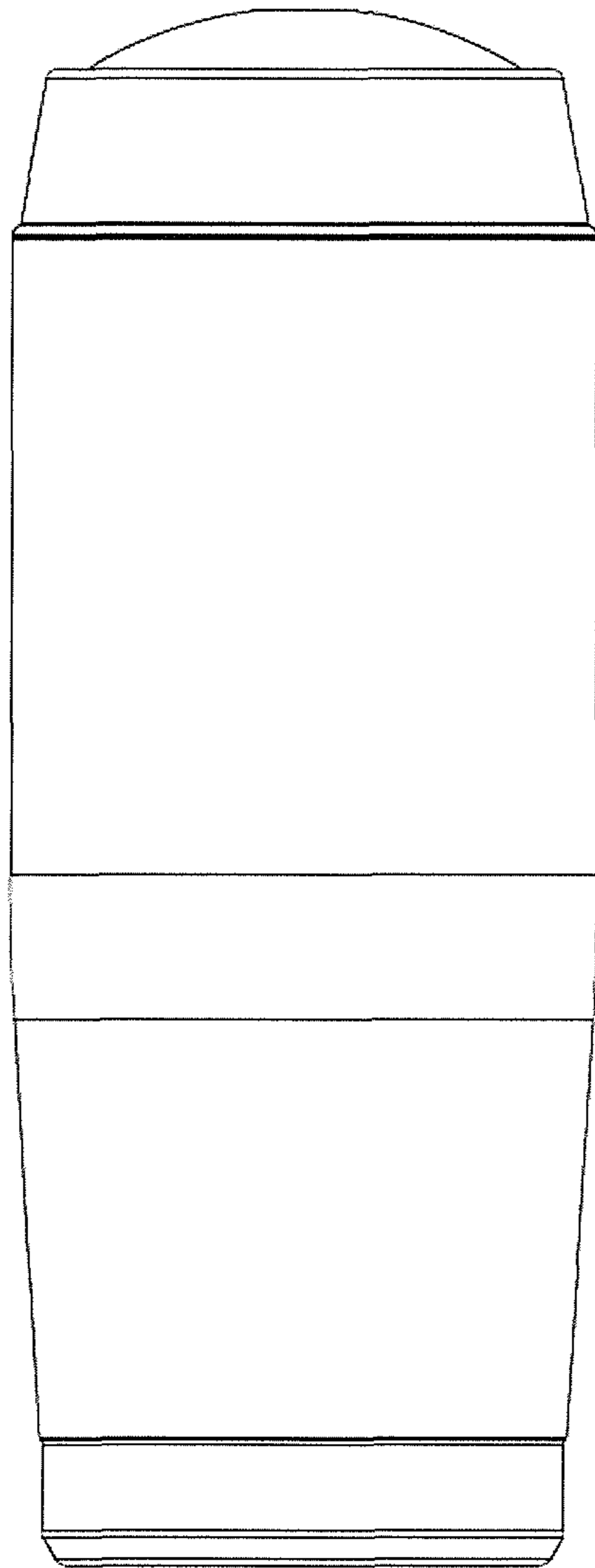


Figure 3

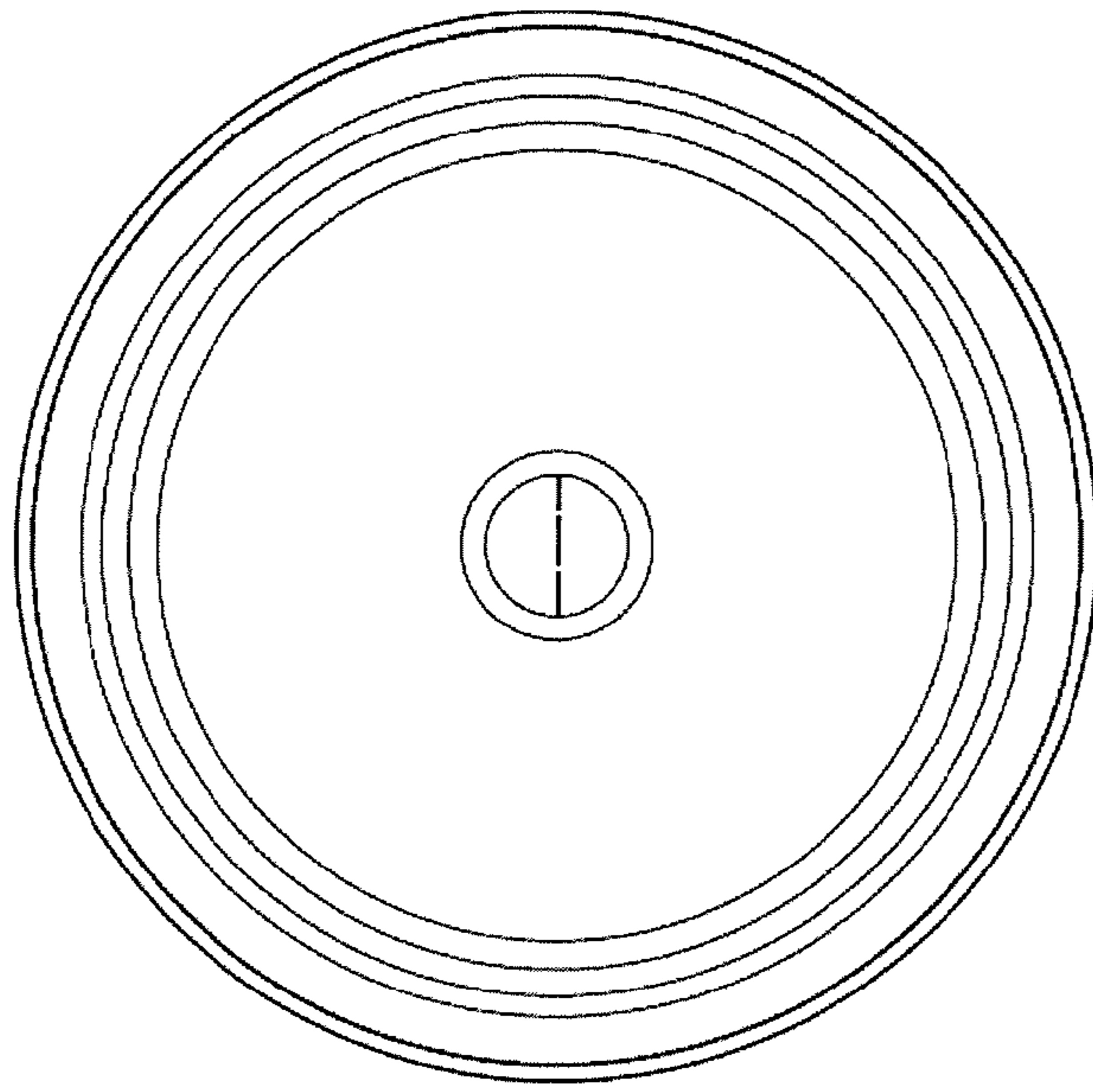


Figure 4

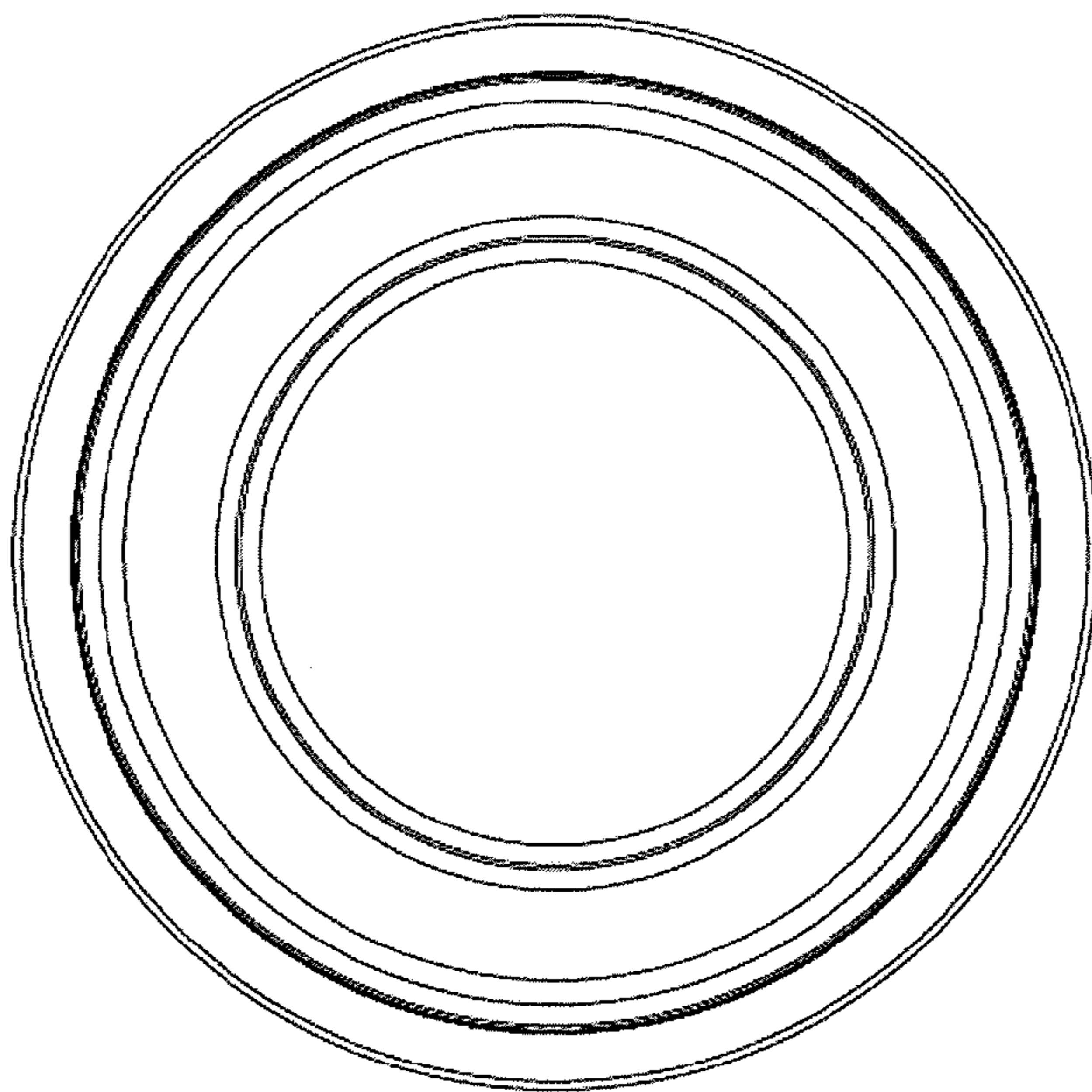


Figure 5

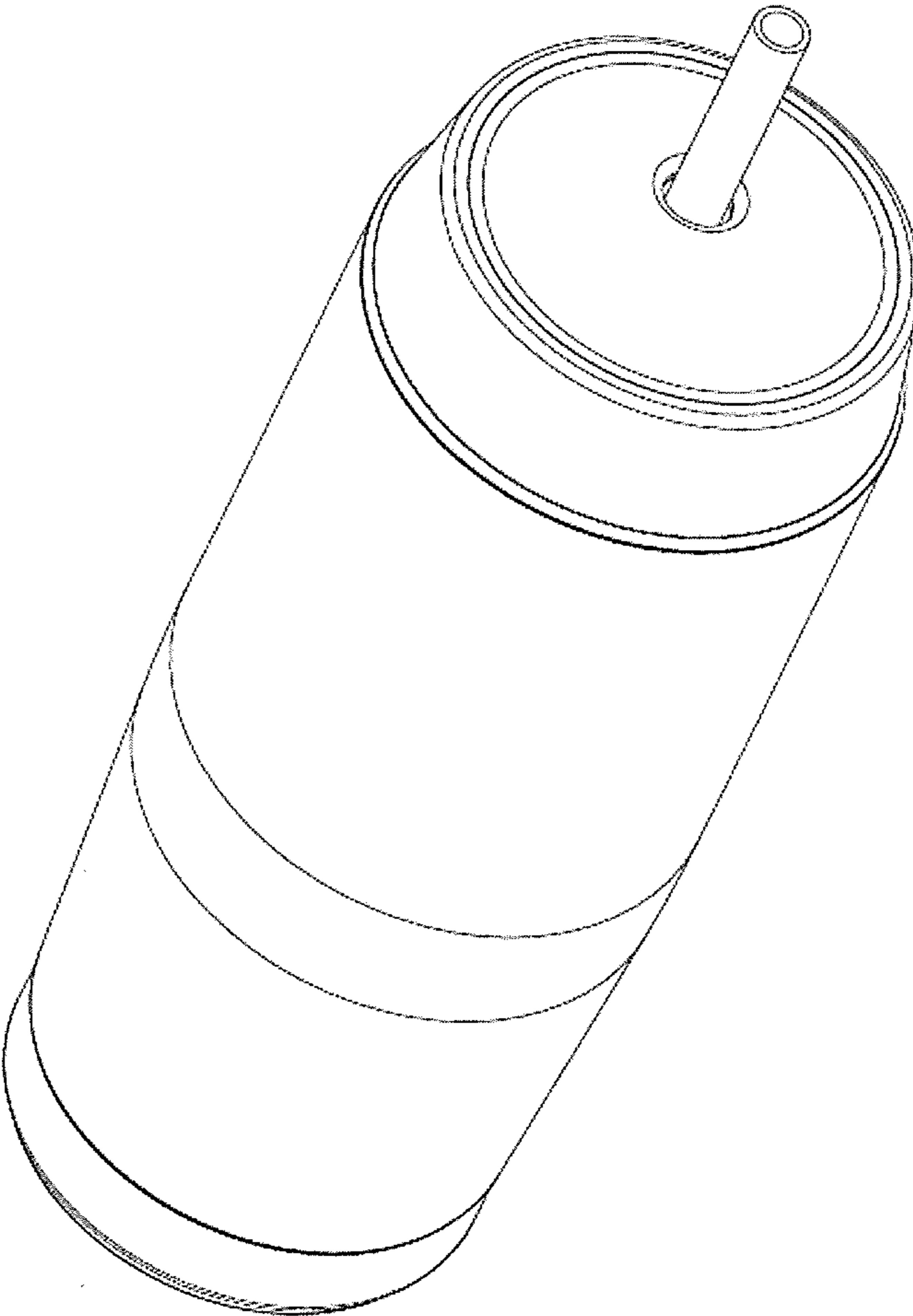


Figure 6

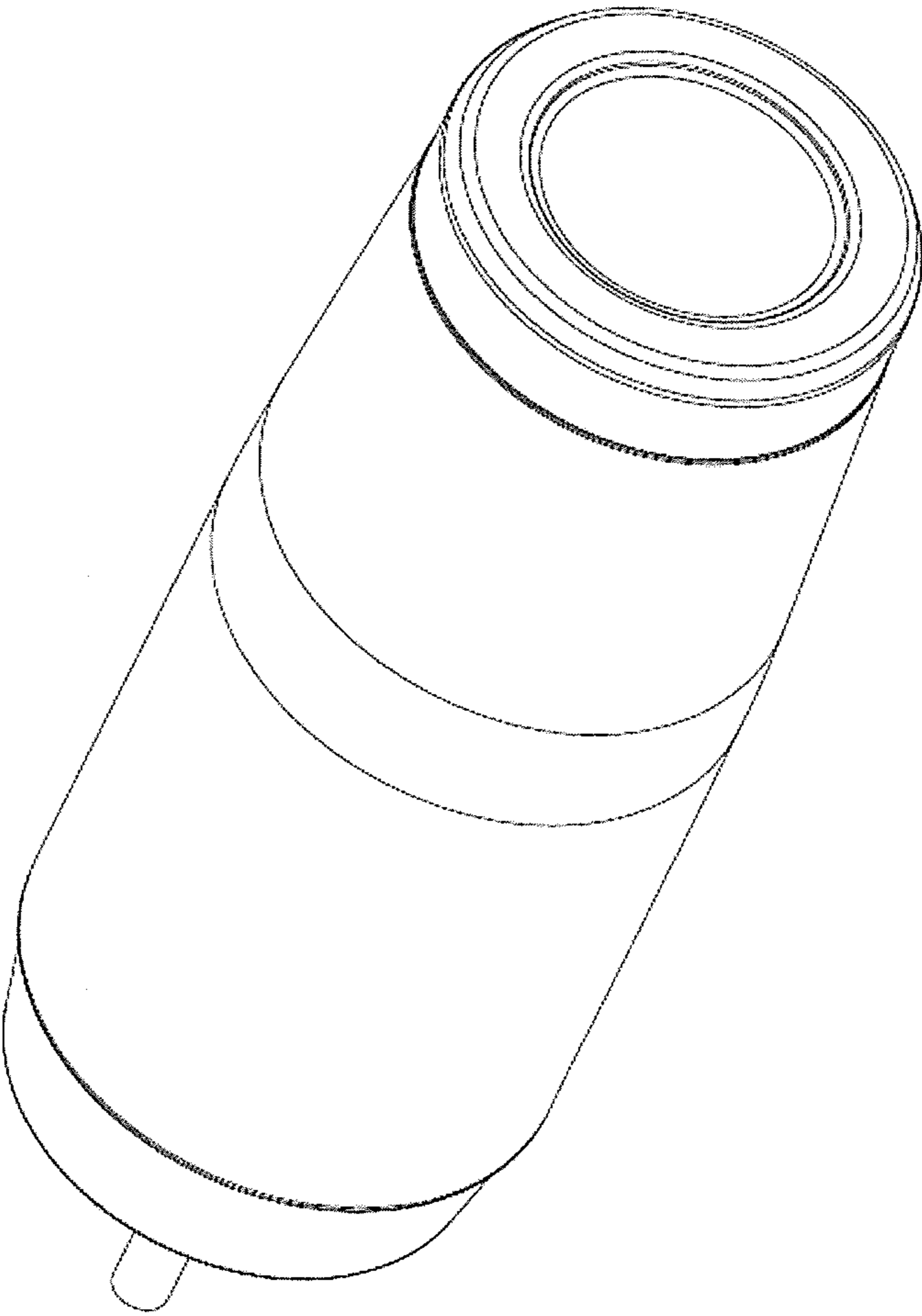


Figure 7

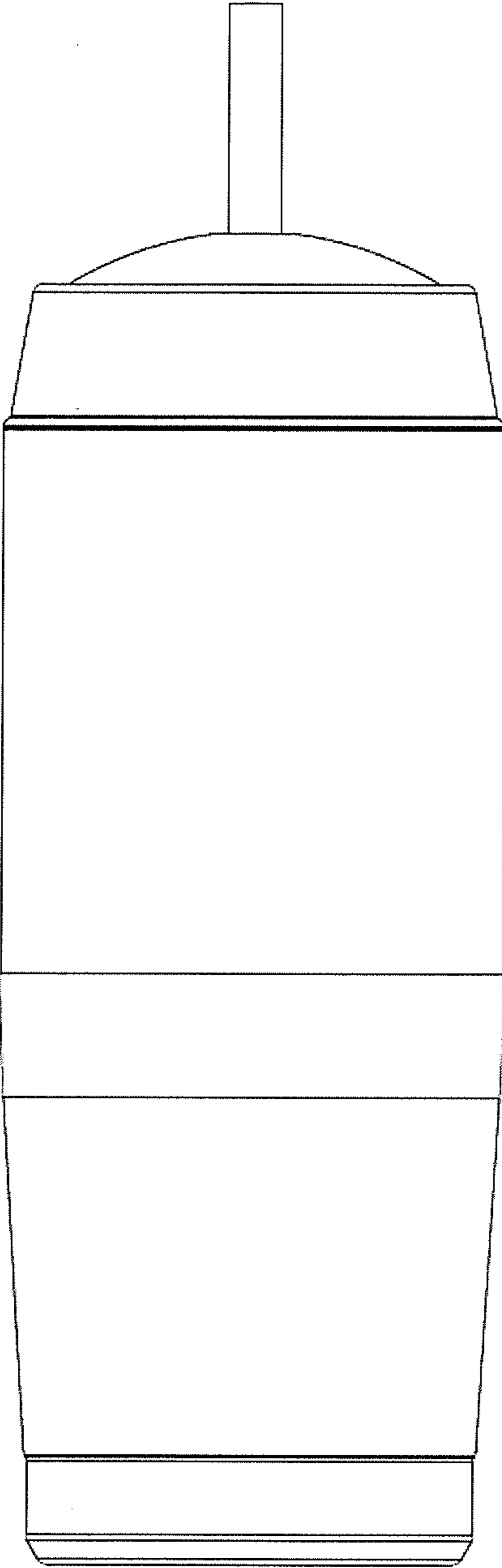


Figure 8



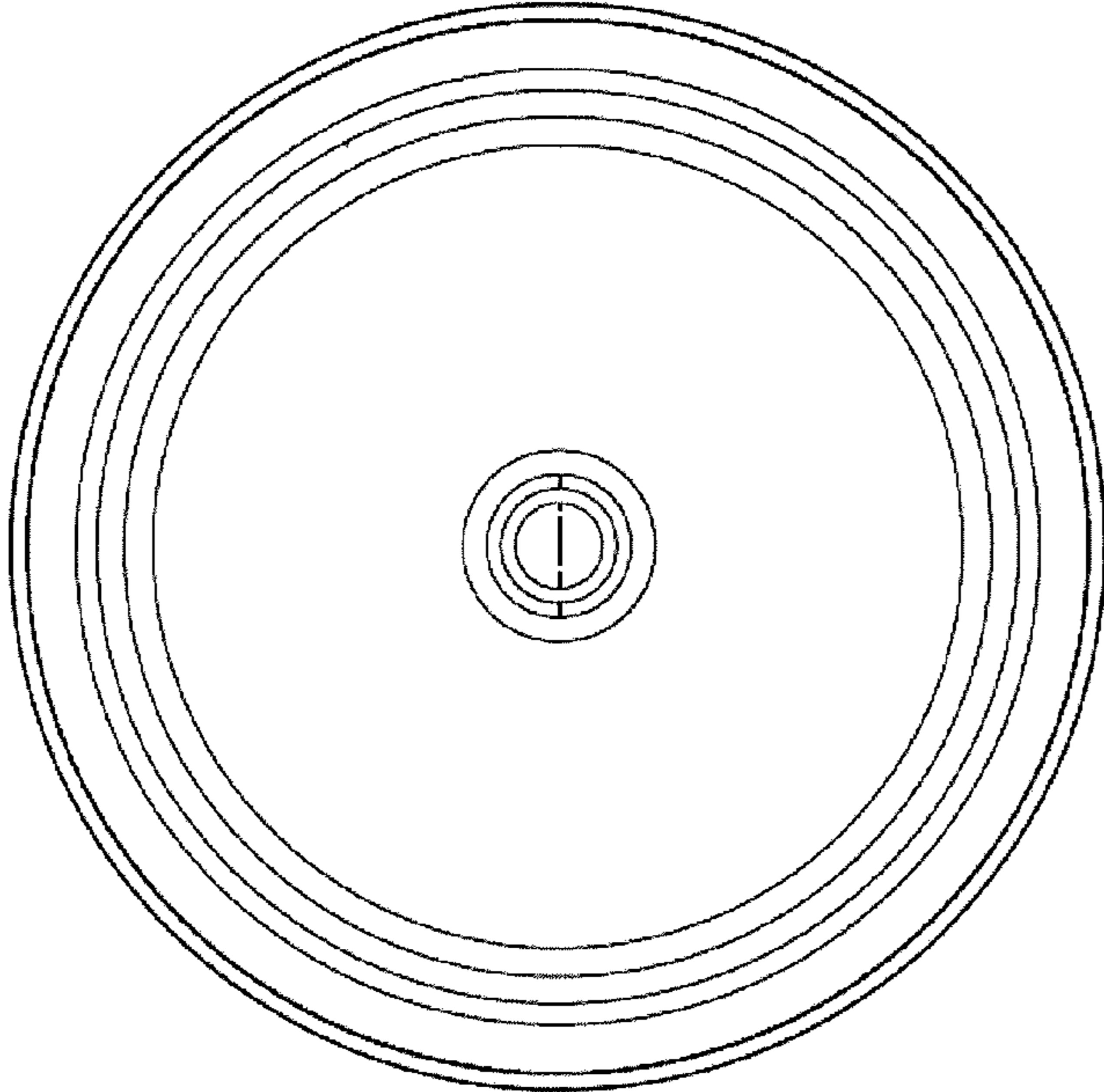


Figure 9

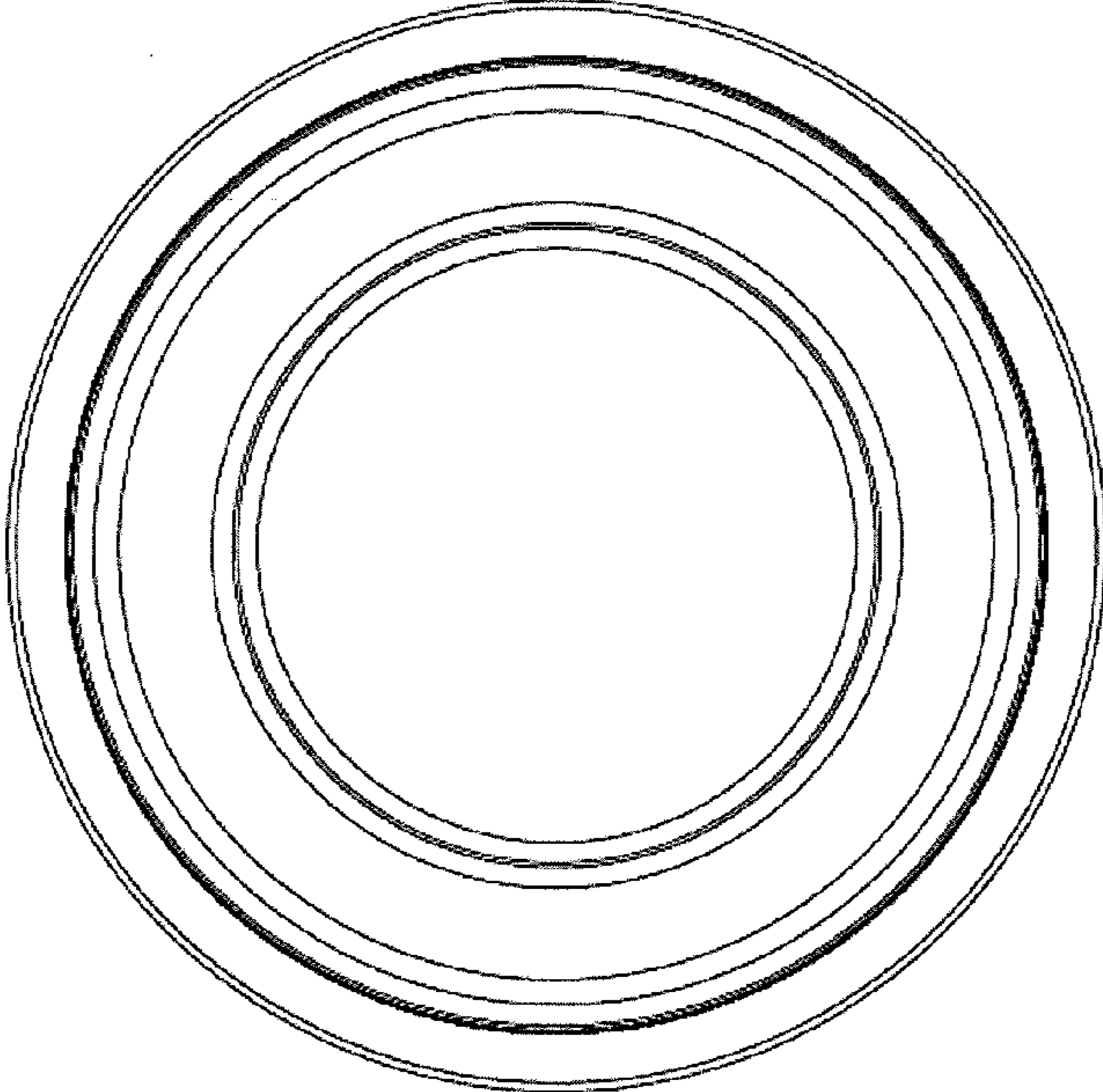


Figure 10