



US00D732336S

(12) **United States Design Patent**
Mazoyer

(10) **Patent No.:** **US D732,336 S**
(45) **Date of Patent:** **** *Jun. 23, 2015**

- (54) **ELECTRIC GRILL**
- (71) Applicant: **TEFAL**, Rumilly (FR)
- (72) Inventor: **Joseph Mazoyer**, Lyons (FR)
- (73) Assignee: **TEFAL**, Rumilly (FR)
- (*) Notice: This patent is subject to a terminal disclaimer.
- (**) Term: **14 Years**
- (21) Appl. No.: **29/480,150**
- (22) Filed: **Jan. 23, 2014**
- (51) **LOC (10) Cl.** **07-02**
- (52) **U.S. Cl.**
USPC **D7/363**
- (58) **Field of Classification Search**
USPC D7/323, 328–330, 337, 347, 352–364,
D7/402, 409–411; 99/324–326, 331, 339,
99/349, 356–357, 372–379, 425,
99/444–446; 219/386, 450.1, 472,
219/524–525, 620–622, 732–734
CPC A21B 5/023; A47J 27/60; A47J 27/62;
A47J 37/04; A47J 37/06; A47J 37/067;
A47J 37/0605; A47J 37/0611; A47J 37/0623;
A47J 37/0629; A47J 37/0676; A47J 37/0709;
A47J 2037/06; A47J 2037/0611; F24C 15/10;
F24C 15/102; H05B 6/02; H05B 6/062
See application file for complete search history.

D429,946 S *	8/2000	Lee	D7/362
D431,152 S *	9/2000	Lee	D7/362
D437,183 S *	2/2001	Wong et al.	D7/362
D441,250 S *	5/2001	Choi	D7/362
6,262,399 B1 *	7/2001	Lau et al.	219/450.1
D452,630 S *	1/2002	Choi	D7/362
D457,393 S *	5/2002	Lewis	D7/402
D473,419 S *	4/2003	Garman	D7/363
D484,737 S *	1/2004	Bodum	D7/337
D505,044 S *	5/2005	Hei	D7/363

* cited by examiner

Primary Examiner — Ricky Pham
(74) *Attorney, Agent, or Firm* — Loeb & Loeb LLP

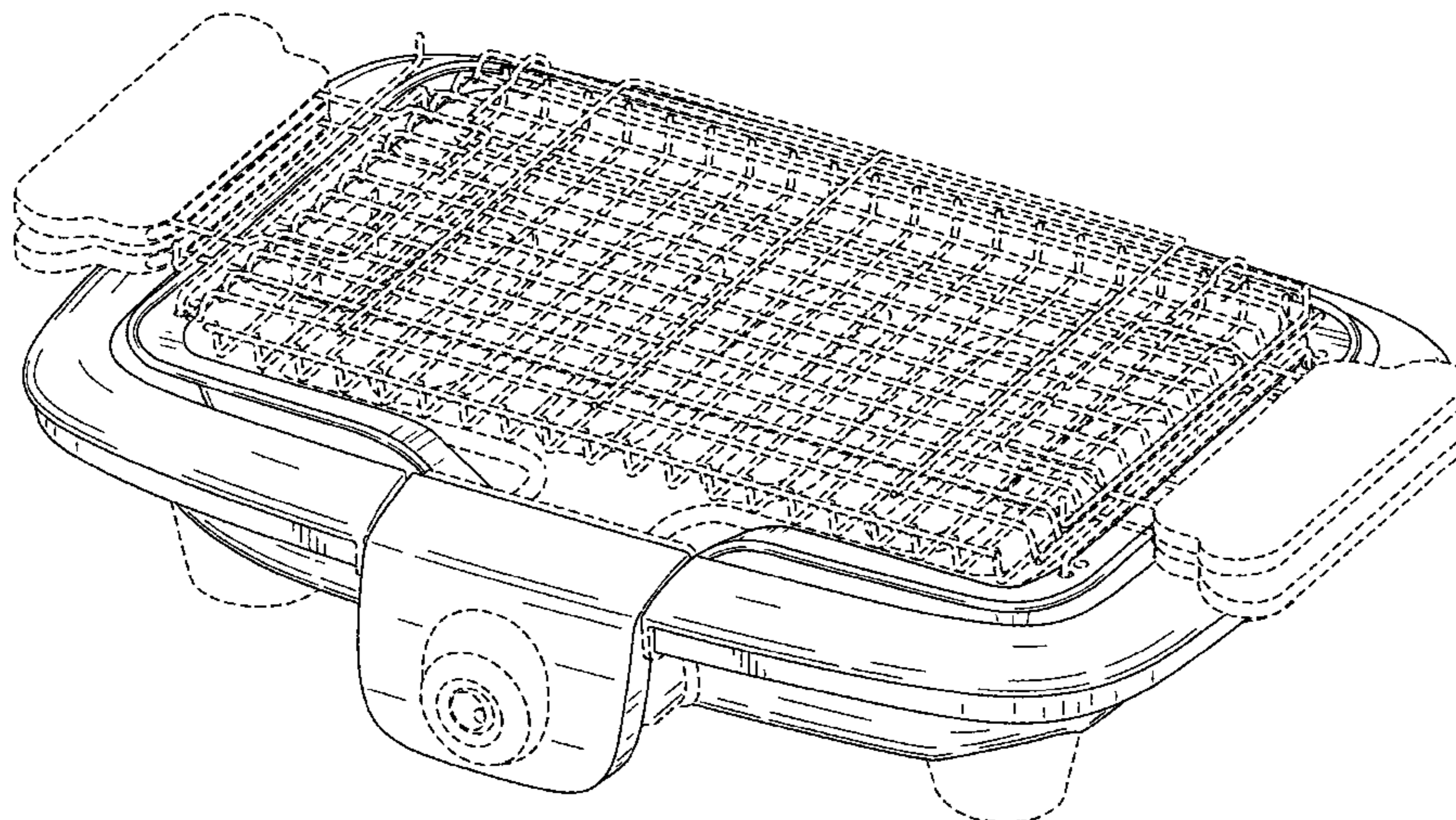
(57) **CLAIM**
The ornamental design for an electric grill, as shown and described.

DESCRIPTION

FIG. 1 is a perspective view an embodiment of an electric grill in a first environment.
 FIG. 2 is a front elevational view of the electric grill of FIG. 1.
 FIG. 3 is a back elevational view of the electric grill of FIG. 1.
 FIG. 4 is a left side elevational view of the electric grill of FIG. 1.
 FIG. 5 is a right side elevational view of the electric grill of FIG. 1.
 FIG. 6 is a top plan elevational view of the electric grill of FIG. 1.
 FIG. 7 is a bottom plan view of the electric grill of FIG. 1.
 FIG. 8 is an exploded view of the electric grill of FIG. 1; and,
 FIG. 9 is a perspective view of the electric grill in a second environment.
 The broken lines appearing in the figures are for the purpose of illustrating the environmental structure of the article of the claimed design and form no part of the claimed design.

1 Claim, 9 Drawing Sheets

- (56) **References Cited**
U.S. PATENT DOCUMENTS
5,524,528 A * 6/1996 Yeh 99/446
D406,723 S * 3/1999 Lee D7/362
6,024,014 A * 2/2000 Kasai 99/425



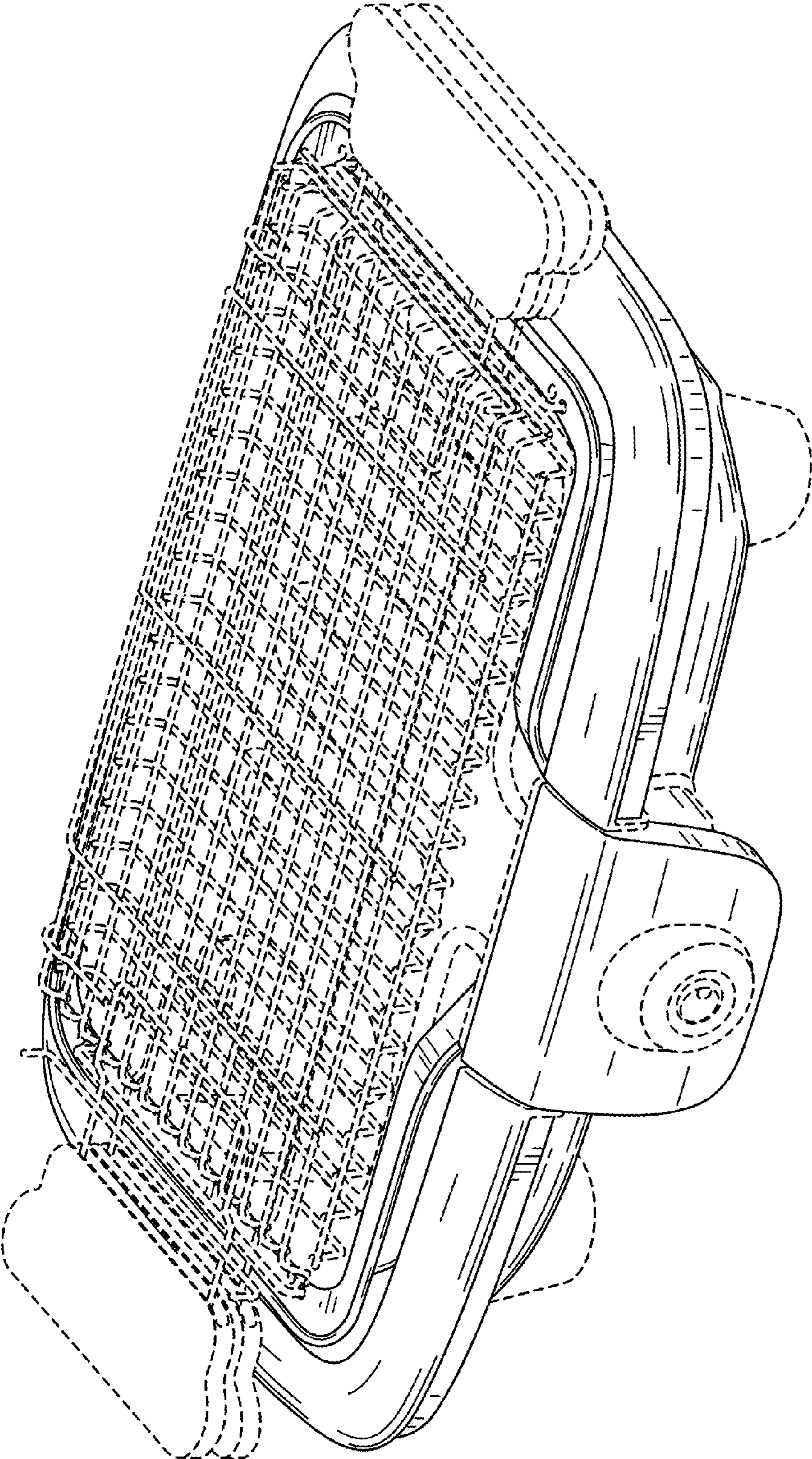


FIG. 1

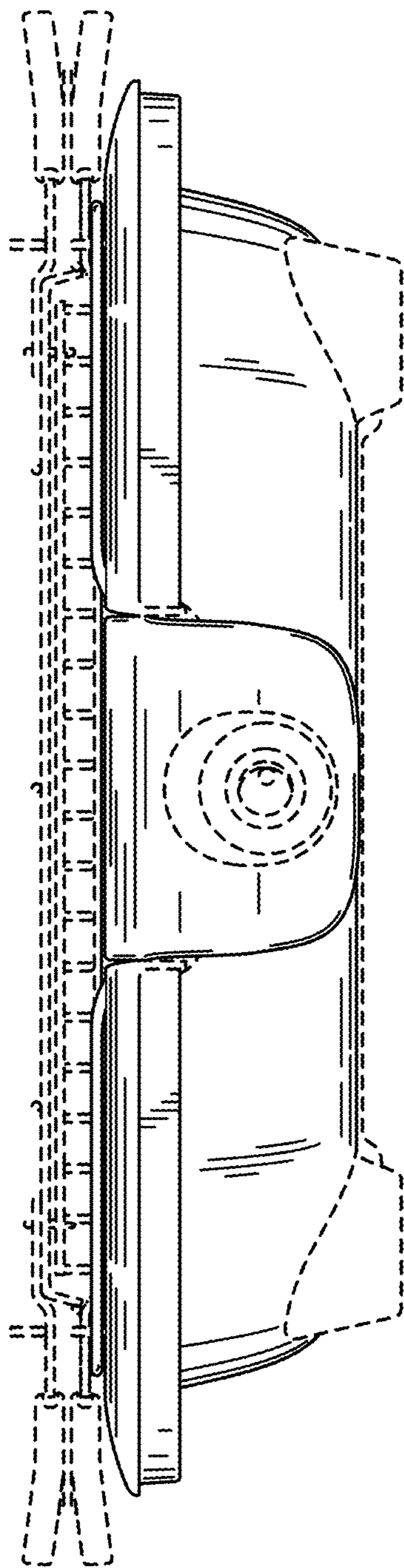


FIG. 2

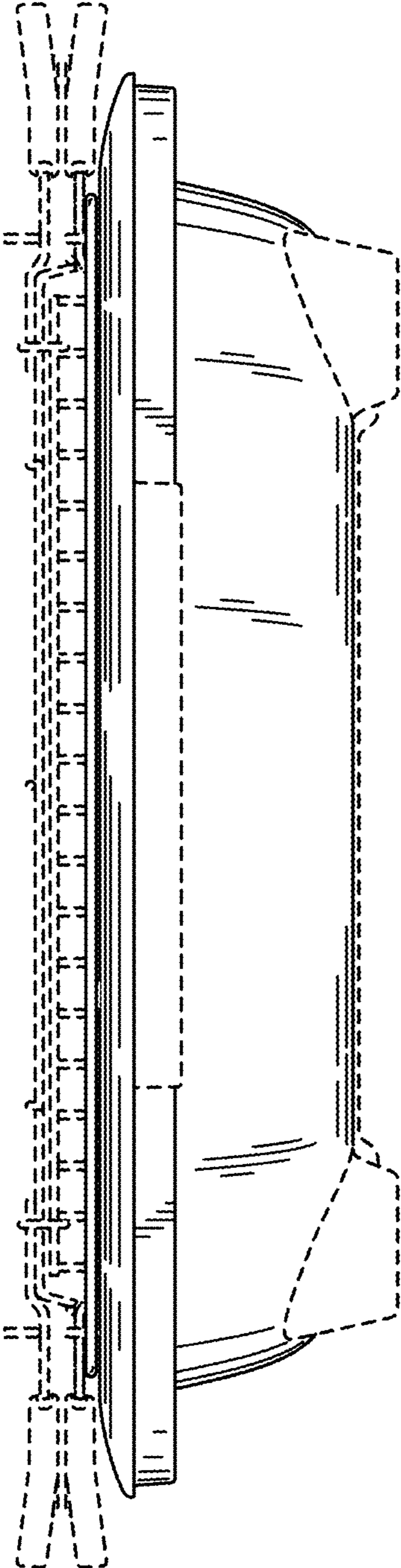


FIG. 3

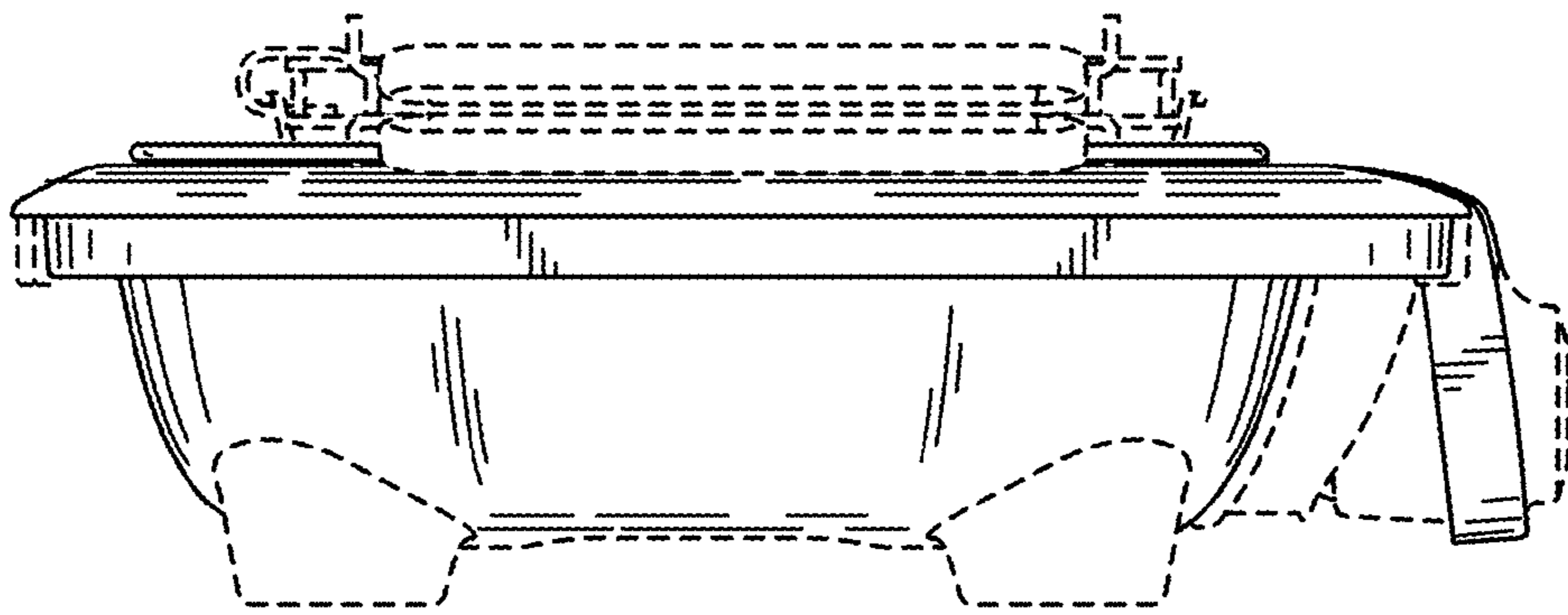


FIG. 4

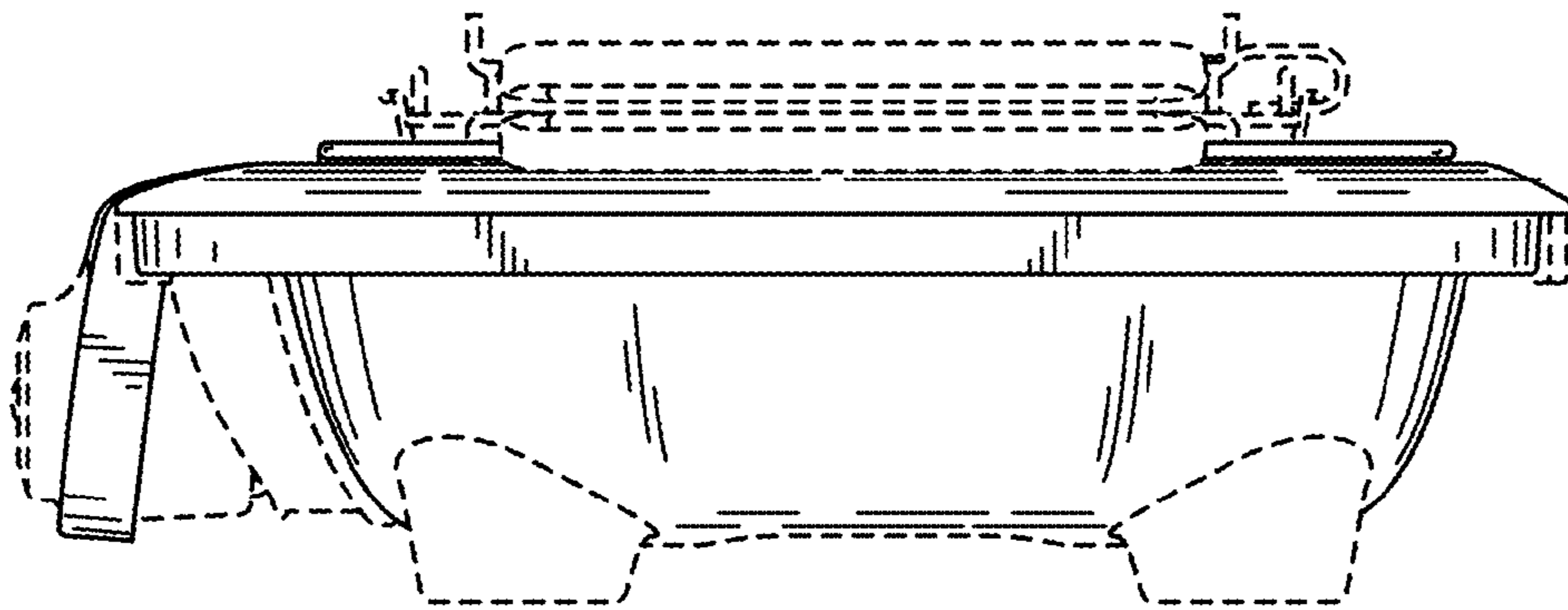


FIG. 5

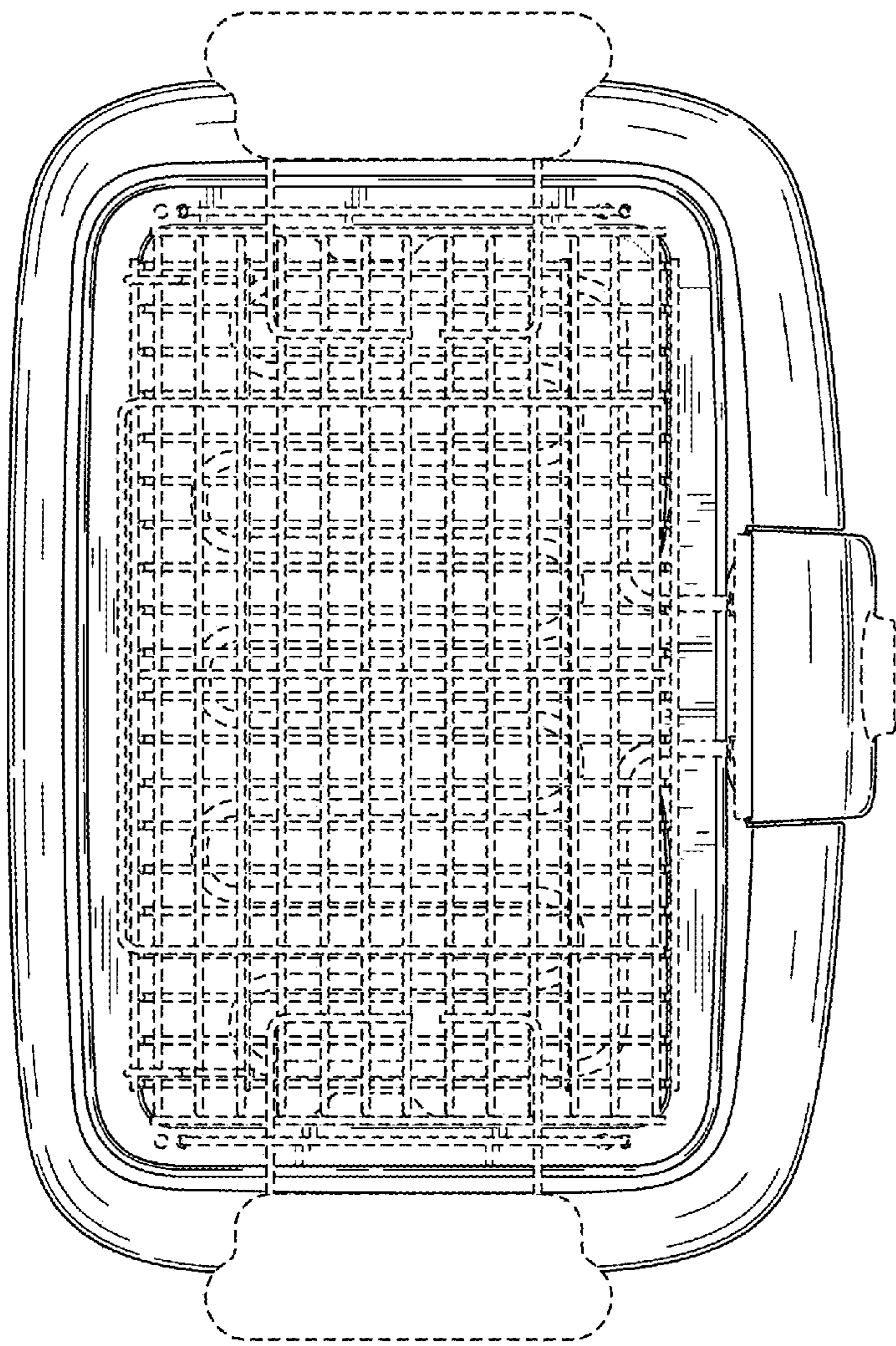


FIG. 6

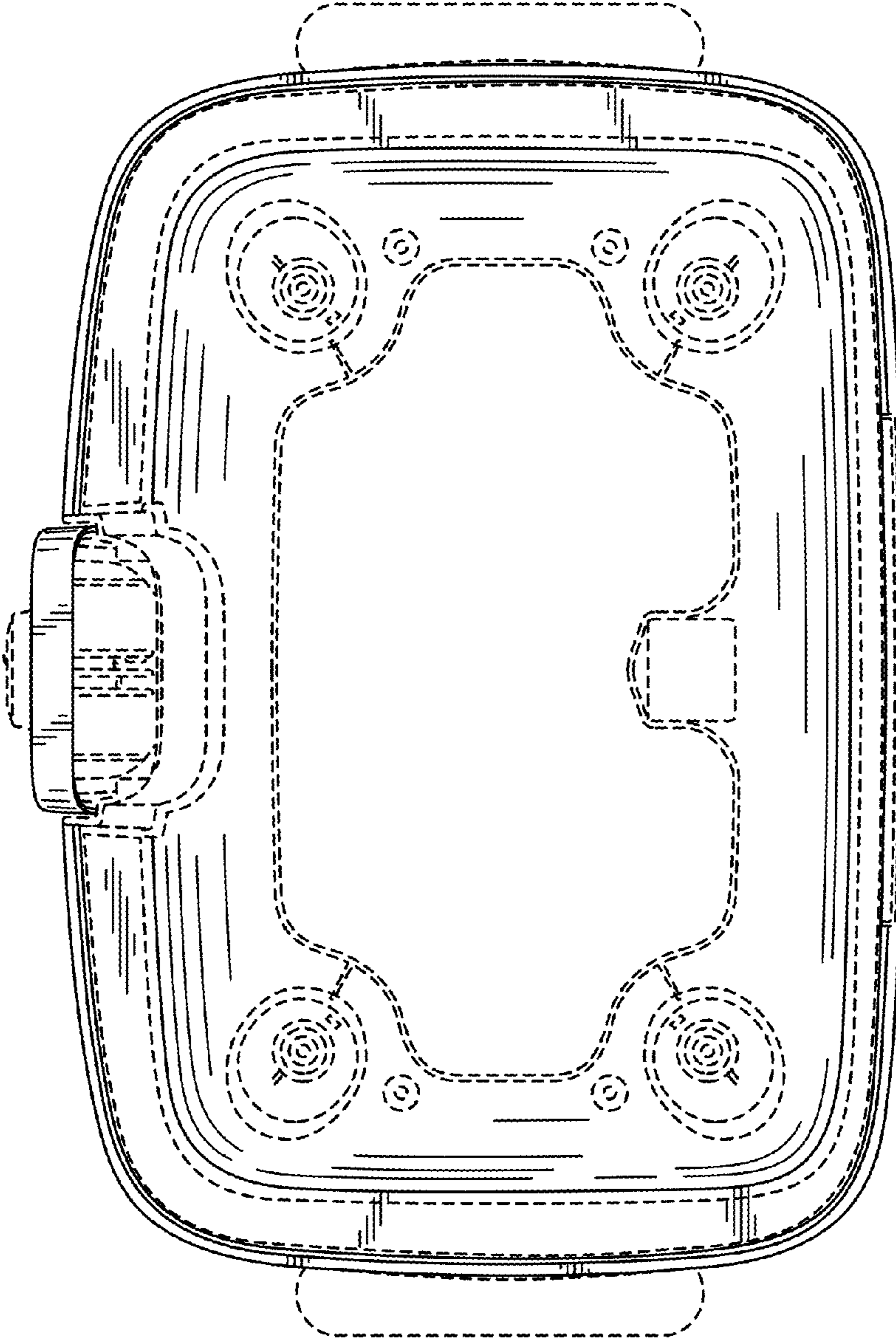


FIG. 7

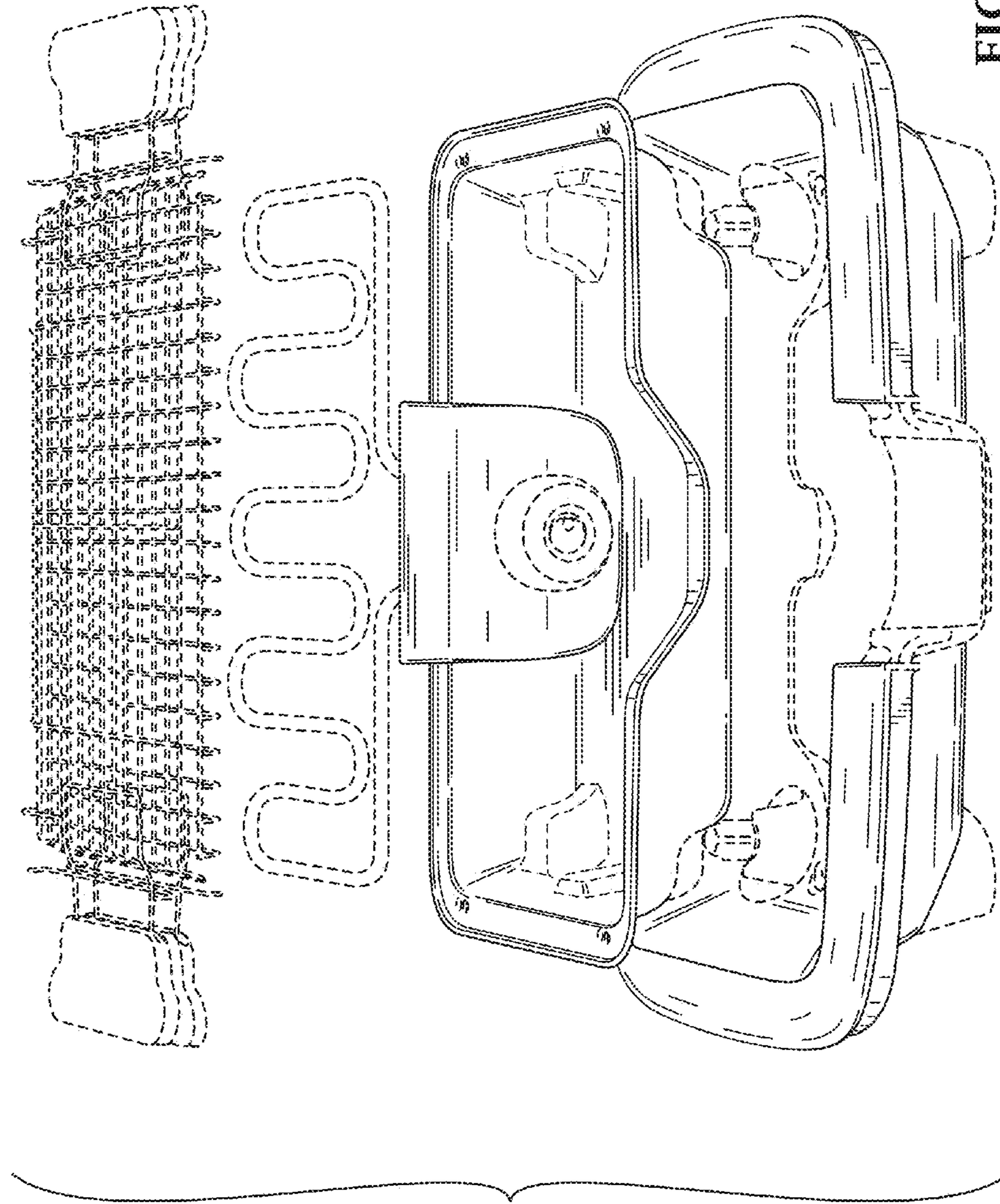


FIG. 8

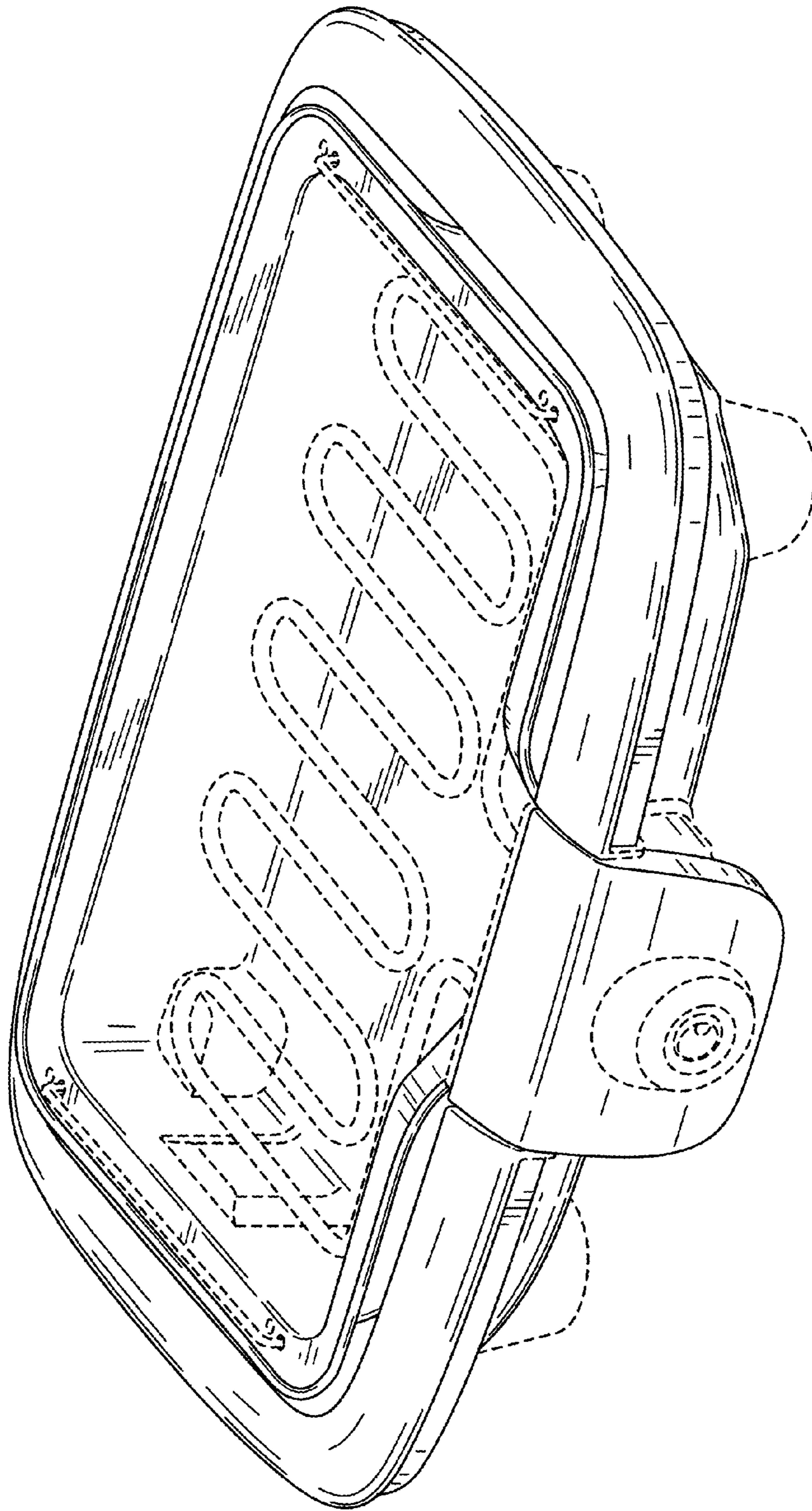


FIG. 9