

US00D732335S

(12) **United States Design Patent**  
**Thonis**

(10) **Patent No.:** **US D732,335 S**  
(45) **Date of Patent:** **\*\* Jun. 23, 2015**

(54) **COOKING PAN**

- (71) Applicant: **Lenox Corporation**, Bristol, PA (US)
- (72) Inventor: **Paul Thonis**, New Hope, PA (US)
- (73) Assignee: **LENOX CORPORATION**, Bristol, PA (US)
- (\*\*) Term: **14 Years**
- (21) Appl. No.: **29/497,323**
- (22) Filed: **Jul. 23, 2014**

**Related U.S. Application Data**

- (62) Division of application No. 29/462,645, filed on Aug. 6, 2013, now Pat. No. Des. 712,194.
- (51) **LOC (10) Cl.** ..... **07-02**
- (52) **U.S. Cl.**  
USPC ..... **D7/361; D7/354**
- (58) **Field of Classification Search**  
USPC ..... D7/323, 354-363, 391, 393-396, 409; 99/324, 331, 339-340, 403, 425-426, 99/444-445; 126/373.1, 383.1-384.1, 126/390.1; 219/438-439, 620-622; 220/573.1-573.5, 752-753, 755-759, 220/912; 222/465.1, 470, 475.1  
CPC ..... A47G 19/12; A47J 27/00; A47J 27/002; A47J 27/08; A47J 27/21; A47J 27/58; A47J 36/025; A47J 36/06; A47J 36/12; A47J 37/00; A47J 37/10; A47J 37/101; A47J 37/103; A47J 37/12; A47J 37/1204; A47J 45/061; A47J 45/071; A47J 45/08; H05B 6/12  
See application file for complete search history.

(56) **References Cited**

**U.S. PATENT DOCUMENTS**

- D426,107 S \* 6/2000 Cheng ..... D7/393
- D450,217 S \* 11/2001 Rae ..... D7/393

(Continued)

**OTHER PUBLICATIONS**

Paul Thonis, "Kobenstyle Timeline," Lenox Corporation, internal memo (pertinent portions), 2012, 4 sheets.  
(Continued)

*Primary Examiner* — Ricky Pham

(57) **CLAIM**

I claim the ornamental design for a cooking pan, as shown and described.

**DESCRIPTION**

FIG. 1 is a front perspective view of a first embodiment of my new design for a cooking pan, featuring the top, front and right sides thereof;

FIG. 2 is a front elevational view thereof;

FIG. 3 is a rear elevational view thereof;

FIG. 4 is a left side elevational view thereof;

FIG. 5 is a right side elevational view thereof;

FIG. 6 is a top elevational view thereof;

FIG. 7 is a bottom elevational view thereof;

FIG. 8 is a front perspective view of a second embodiment of my new design for a cooking pan, featuring the top, front and right sides thereof;

FIG. 9 is a front elevational view thereof;

FIG. 10 is a rear elevational view thereof;

FIG. 11 is a left side elevational view thereof;

FIG. 12 is a right side elevational view thereof;

FIG. 13 is a top elevational view thereof;

FIG. 14 is a bottom elevational view thereof;

FIG. 15 is a front perspective view of a third embodiment of my new design for a cooking pan, featuring the top, front sides and right sides thereof;

FIG. 16 is a front elevational view thereof;

FIG. 17 is a rear elevational view thereof;

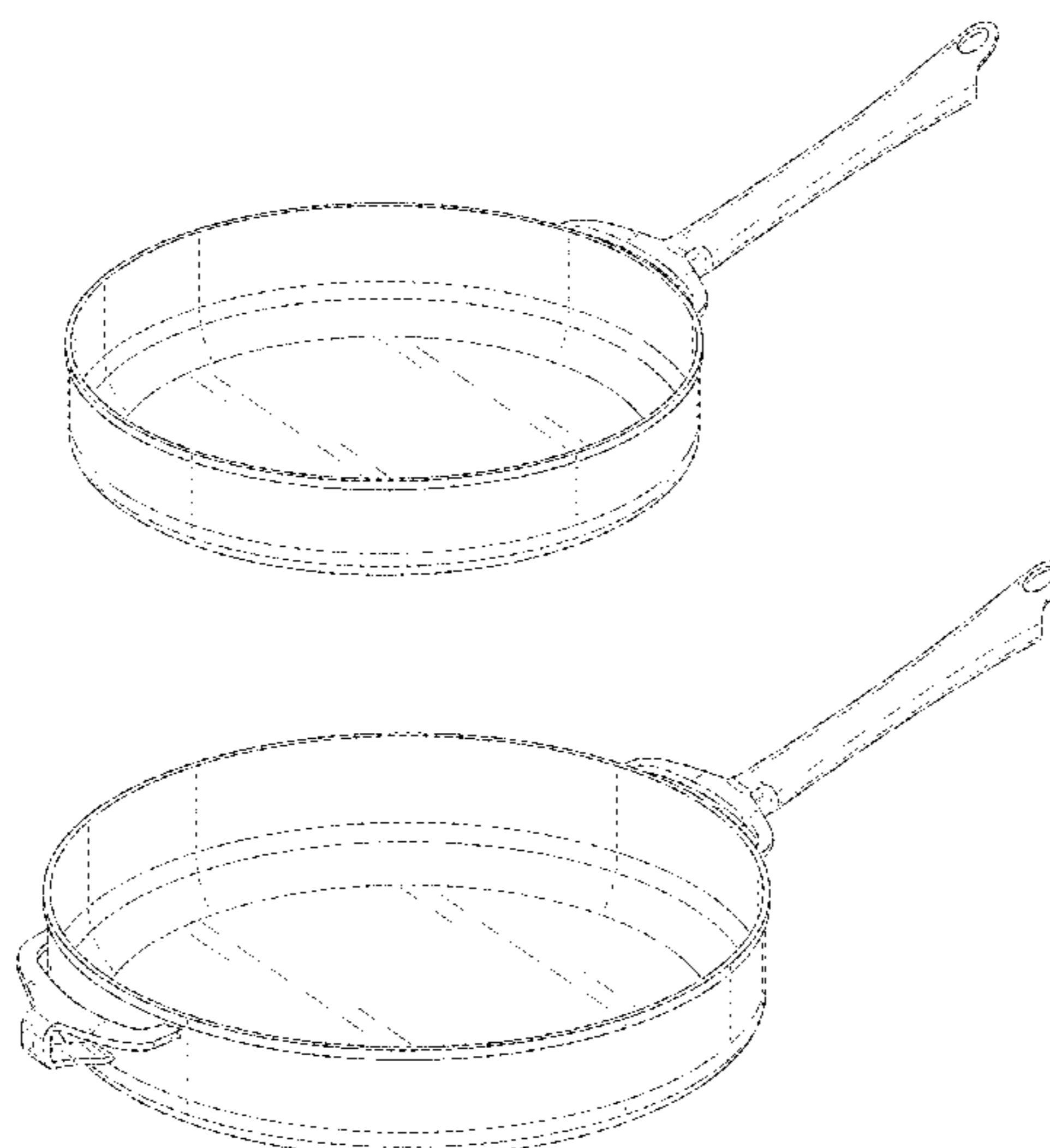
FIG. 18 is a left side elevational view thereof;

FIG. 19 is a right side elevational view thereof;

FIG. 20 is a top elevational view thereof; and,

FIG. 21 is a bottom elevational view thereof.

**1 Claim, 15 Drawing Sheets**



(56)

**References Cited**

U.S. PATENT DOCUMENTS

D453,092 S 1/2002 Coudurier  
 D477,967 S 8/2003 Burton et al.  
 D482,233 S 11/2003 Rae  
 D497,513 S \* 10/2004 Rae ..... D7/394  
 D555,418 S \* 11/2007 Cheng ..... D7/354  
 D555,421 S \* 11/2007 Thurlow et al. .... D7/393  
 D559,032 S 1/2008 Kellermann et al.  
 D579,714 S 11/2008 Cheng et al.  
 D580,214 S 11/2008 Dodane  
 D581,721 S 12/2008 Rae  
 D587,519 S 3/2009 Cheng et al.  
 D589,744 S \* 4/2009 Rae ..... D7/395  
 D618,052 S \* 6/2010 Rae ..... D7/395  
 D621,652 S 8/2010 Dodane  
 D622,098 S \* 8/2010 Pantaleo ..... D7/395  
 D630,055 S \* 1/2011 Rae ..... D7/395  
 D639,604 S 6/2011 Degnan  
 D656,358 S 3/2012 Cloutier et al.

D658,004 S \* 4/2012 Rae ..... D7/395  
 D667,691 S \* 9/2012 Rae ..... D7/395  
 D677,516 S 3/2013 Cloutier  
 D682,013 S \* 5/2013 Huang ..... D7/361  
 D693,637 S 11/2013 Sweet et al.  
 D712,194 S \* 9/2014 Thonis ..... D7/361

OTHER PUBLICATIONS

Kobenstyle 9.5" Skillet, Danish and French production, prior to 2000, 1 sheet. Photos by Paul Thonis, 2012.  
 Kobenstyle 2 Quart Saucepan, French production, prior to 2000, 1 sheet. Photos by Paul Thonis, 2012.  
 Office Action, mailed on Feb. 26, 2014, in related Design U.S. Appl. No. 29/462,645.  
 Notice of Allowance, mailed on Apr. 21, 2014, in related Design U.S. Appl. No. 29/462,645.  
 Notice of Allowance, mailed on May 20, 2014, in related Design U.S. Appl. No. 29/462,645.

\* cited by examiner

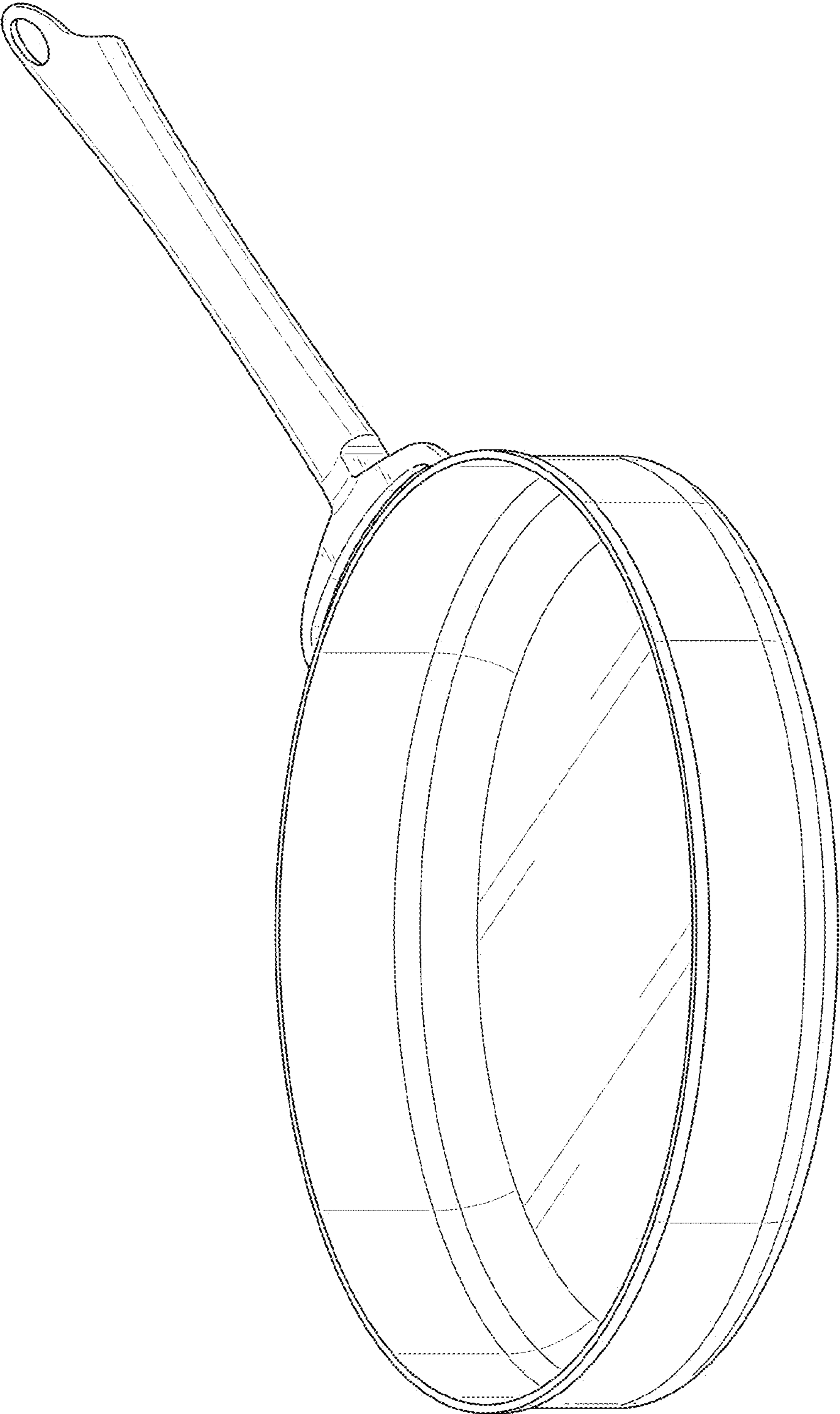


FIG. 1

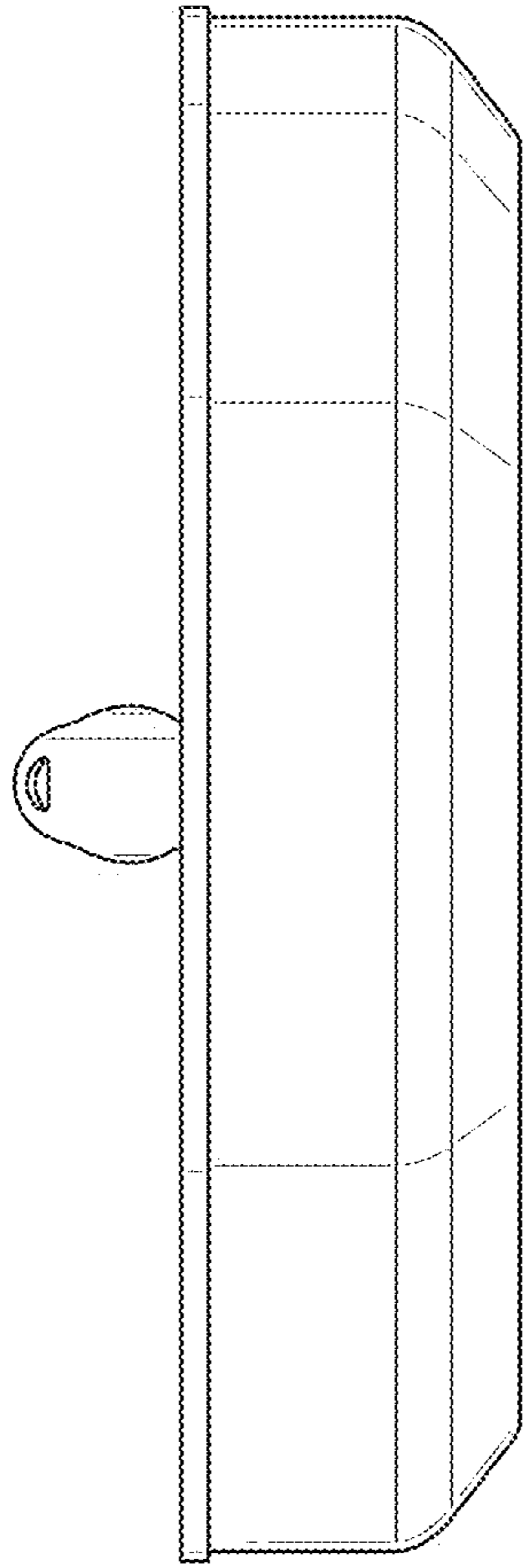


FIG. 2

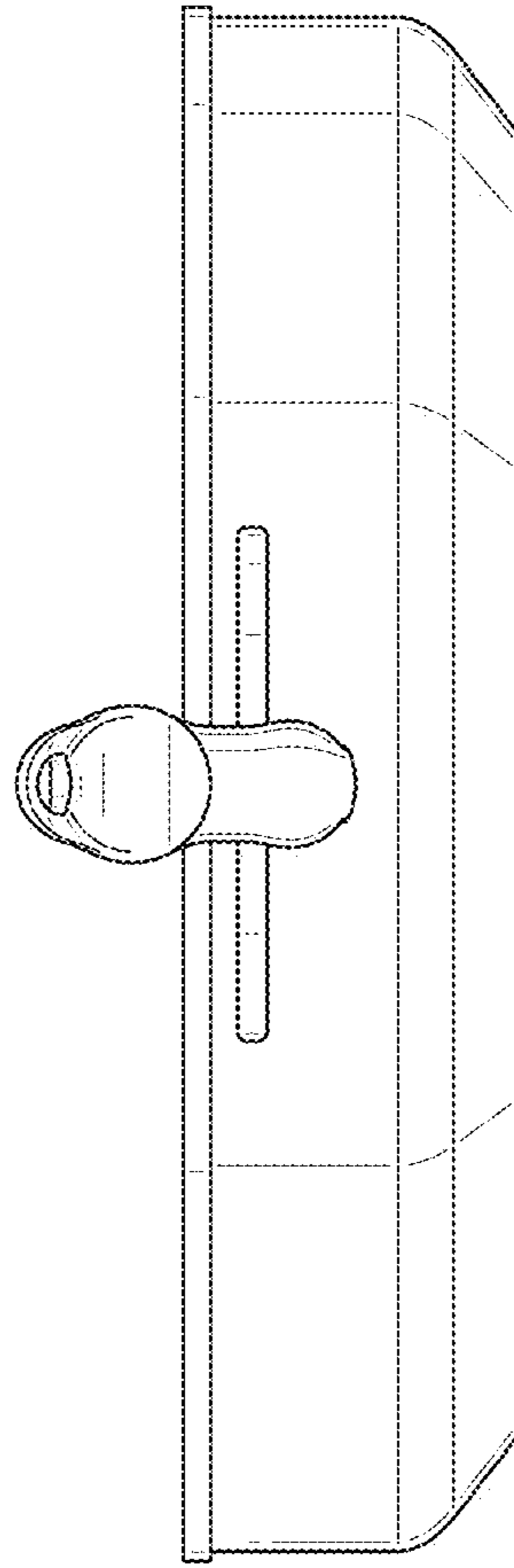


FIG. 3

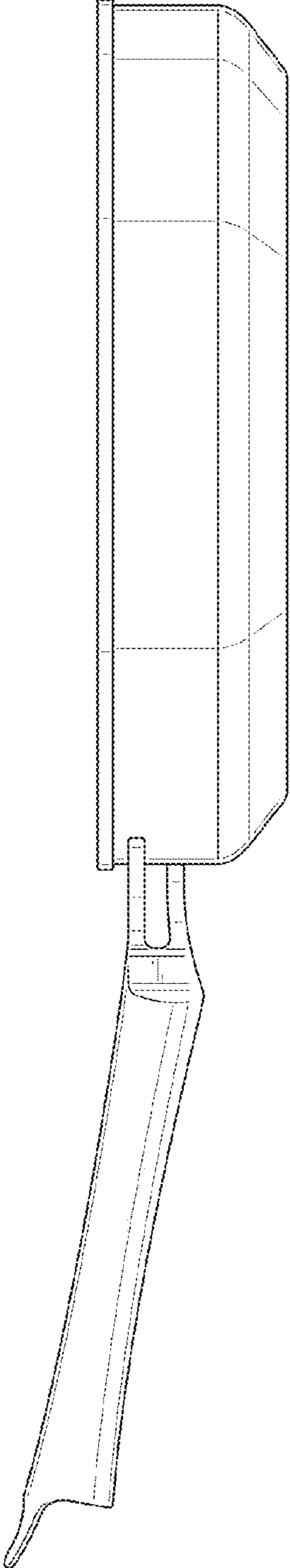


FIG. 4

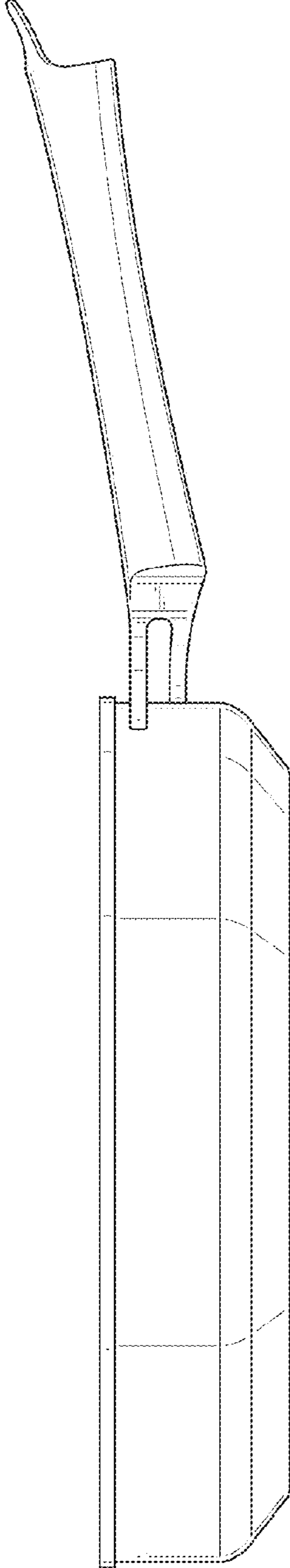


FIG. 5

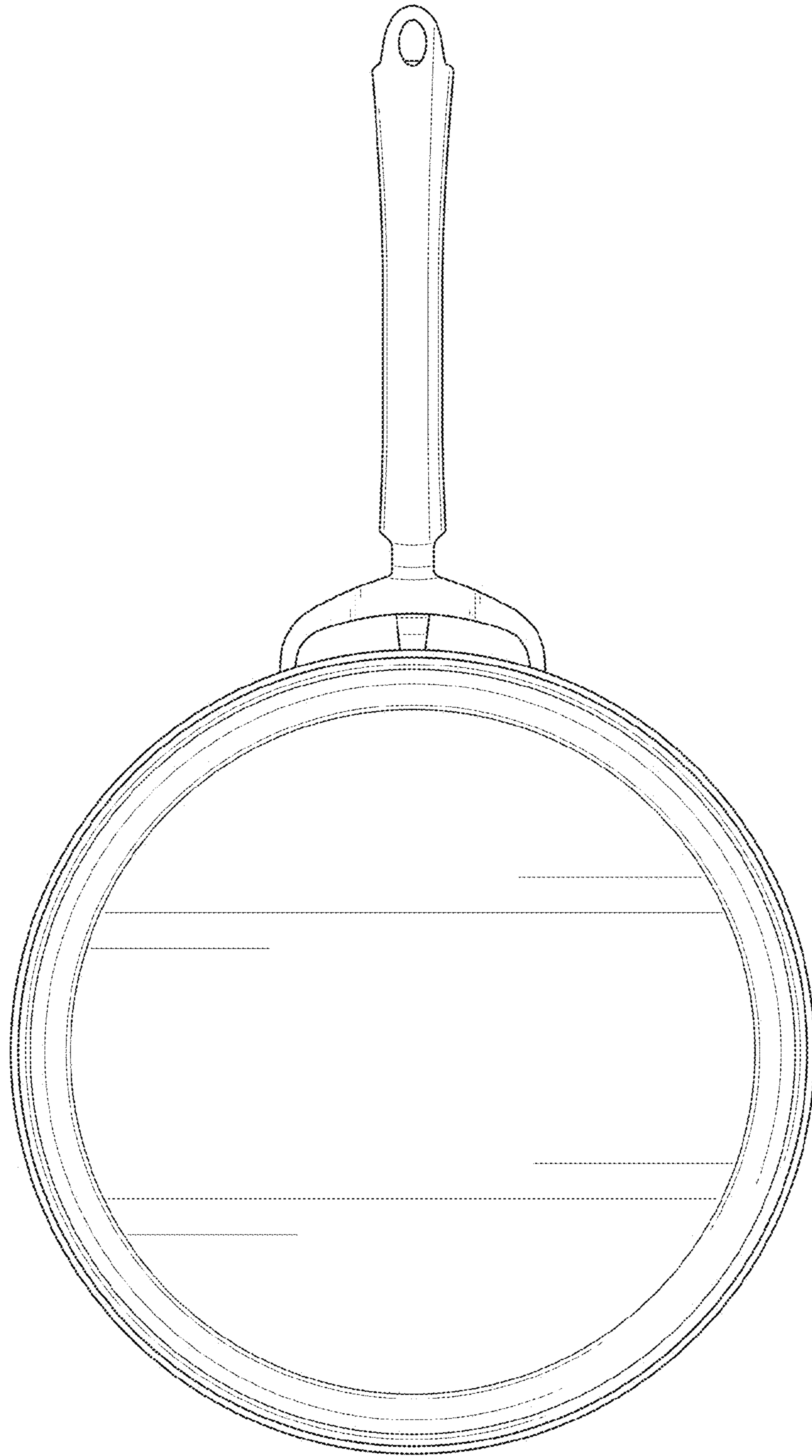


FIG. 6

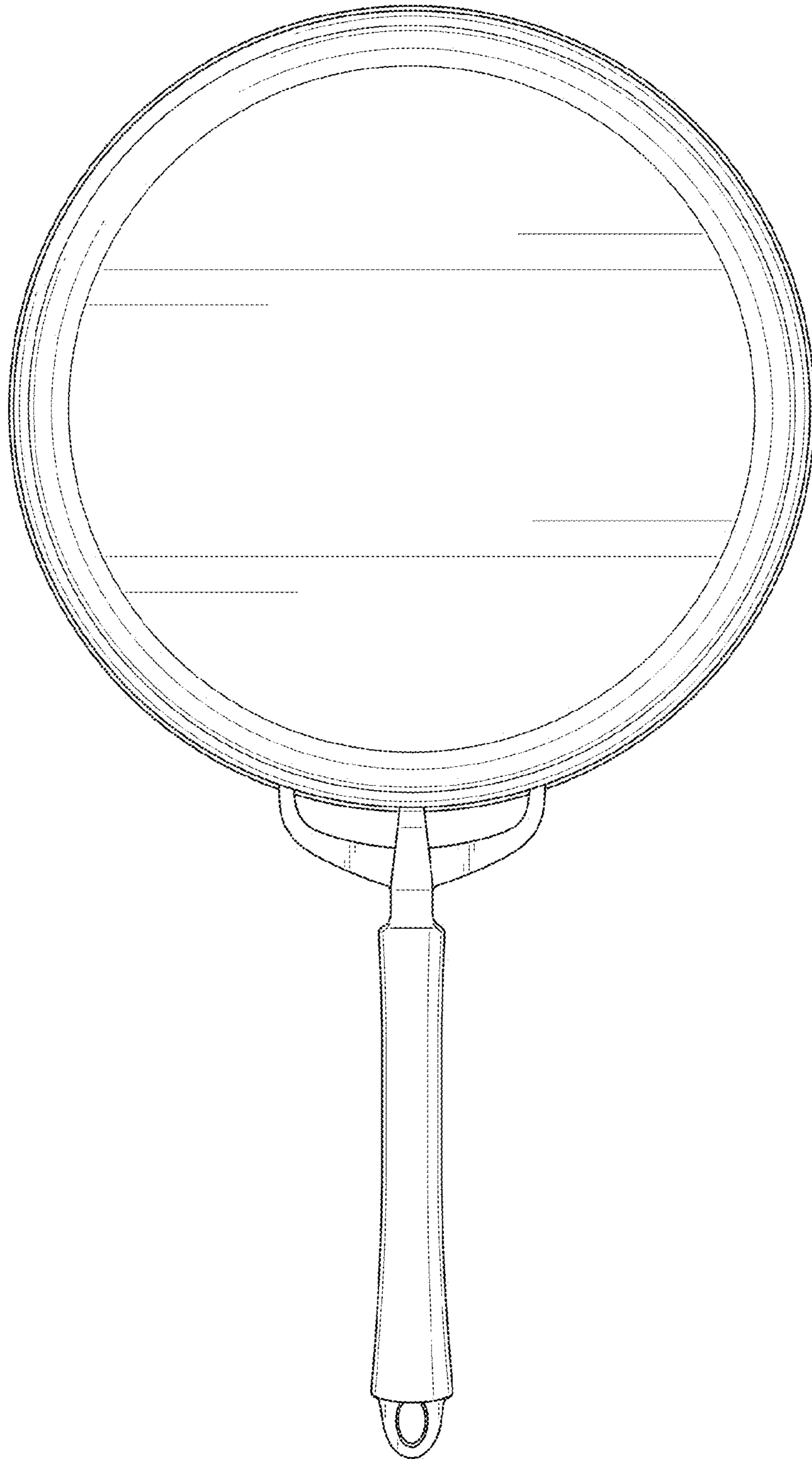


FIG. 7

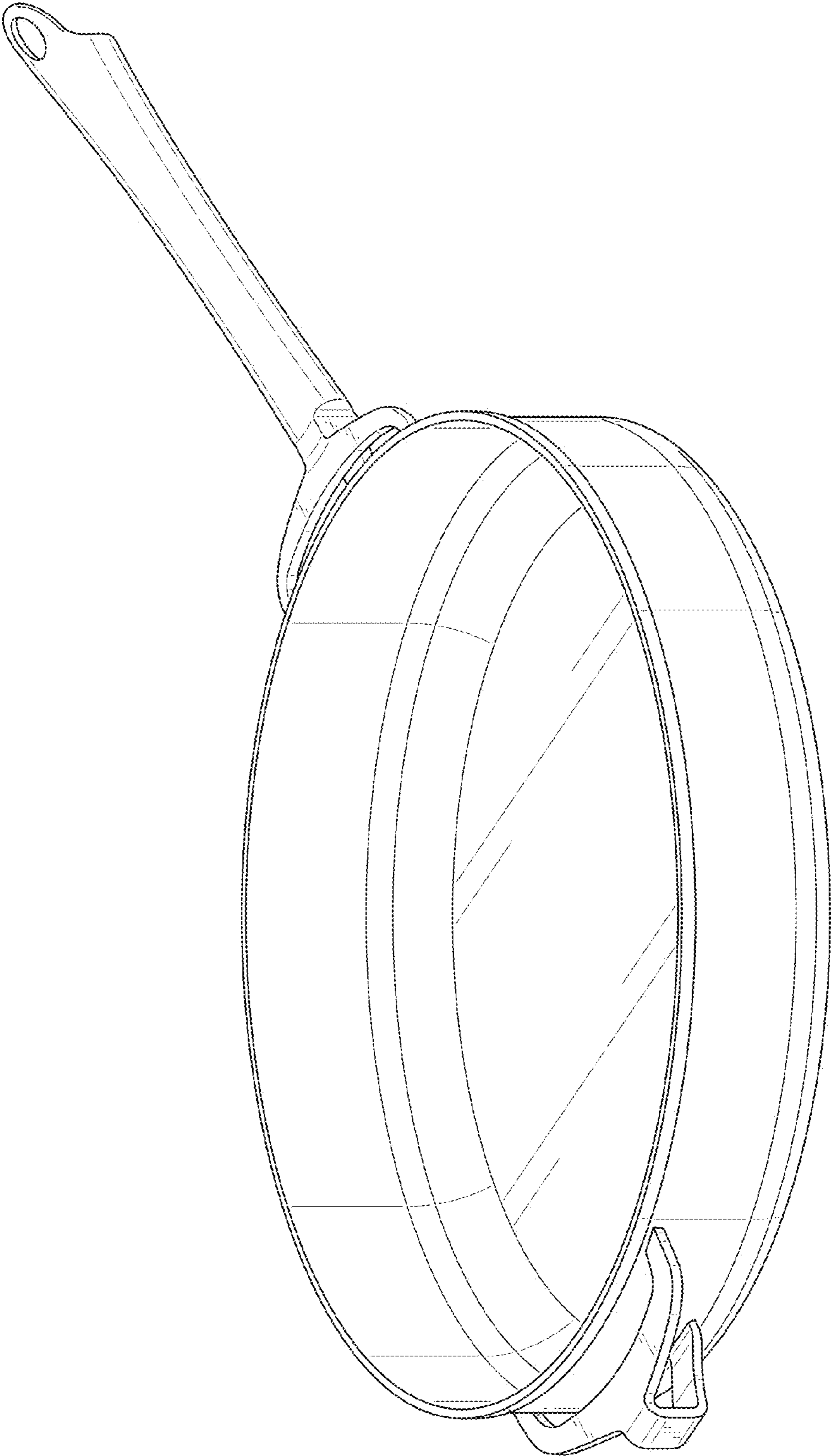


FIG. 8



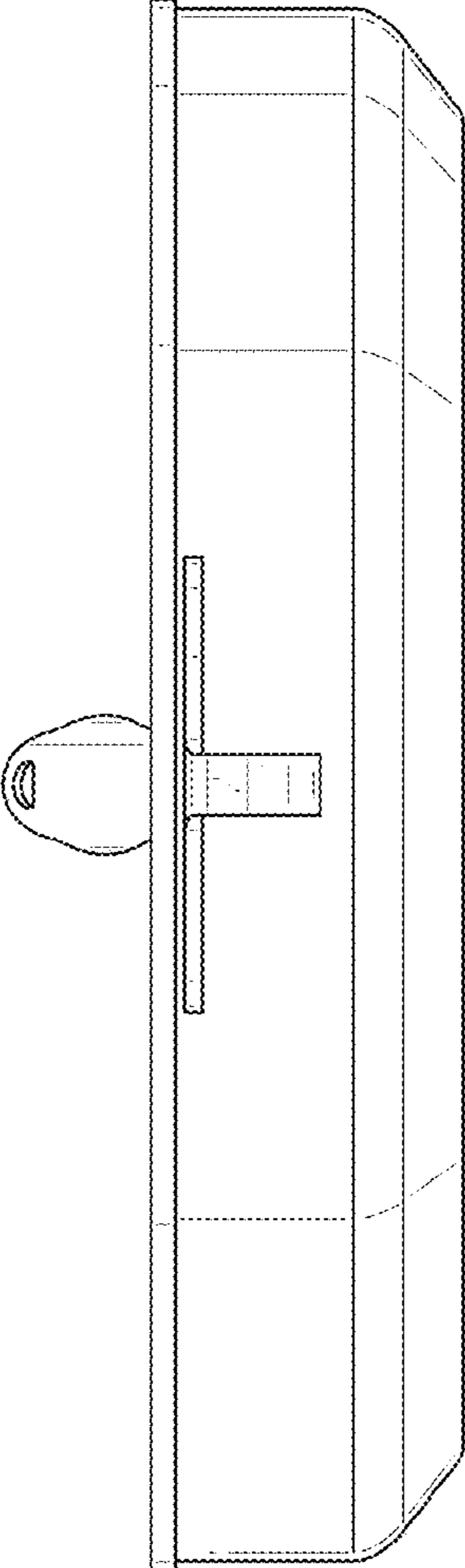


FIG. 9

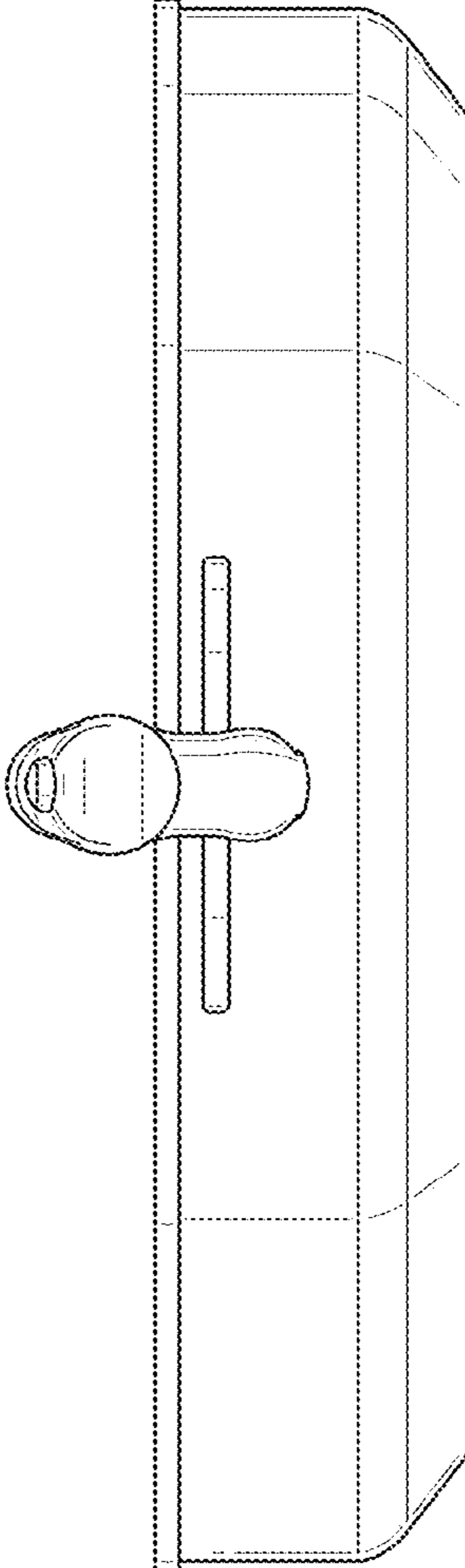


FIG. 10

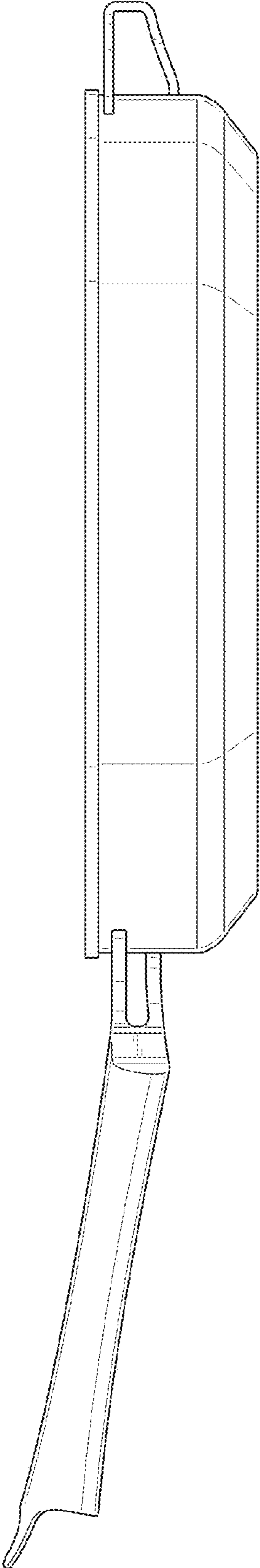


FIG. 11

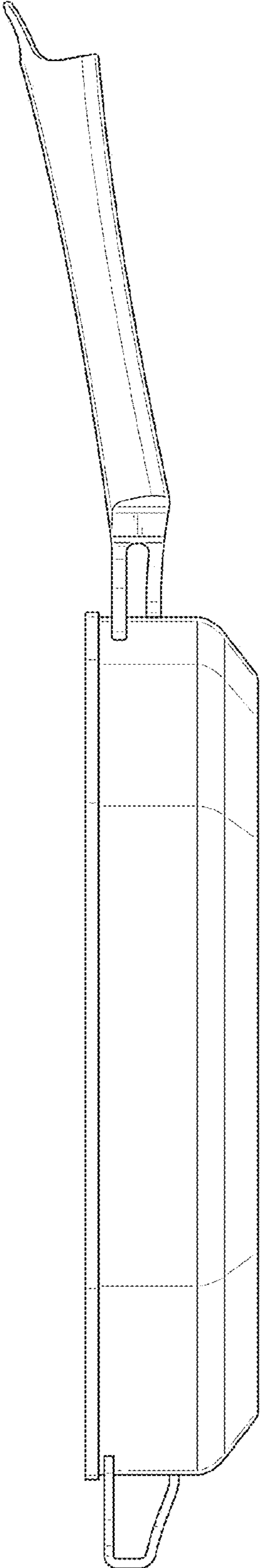


FIG. 12

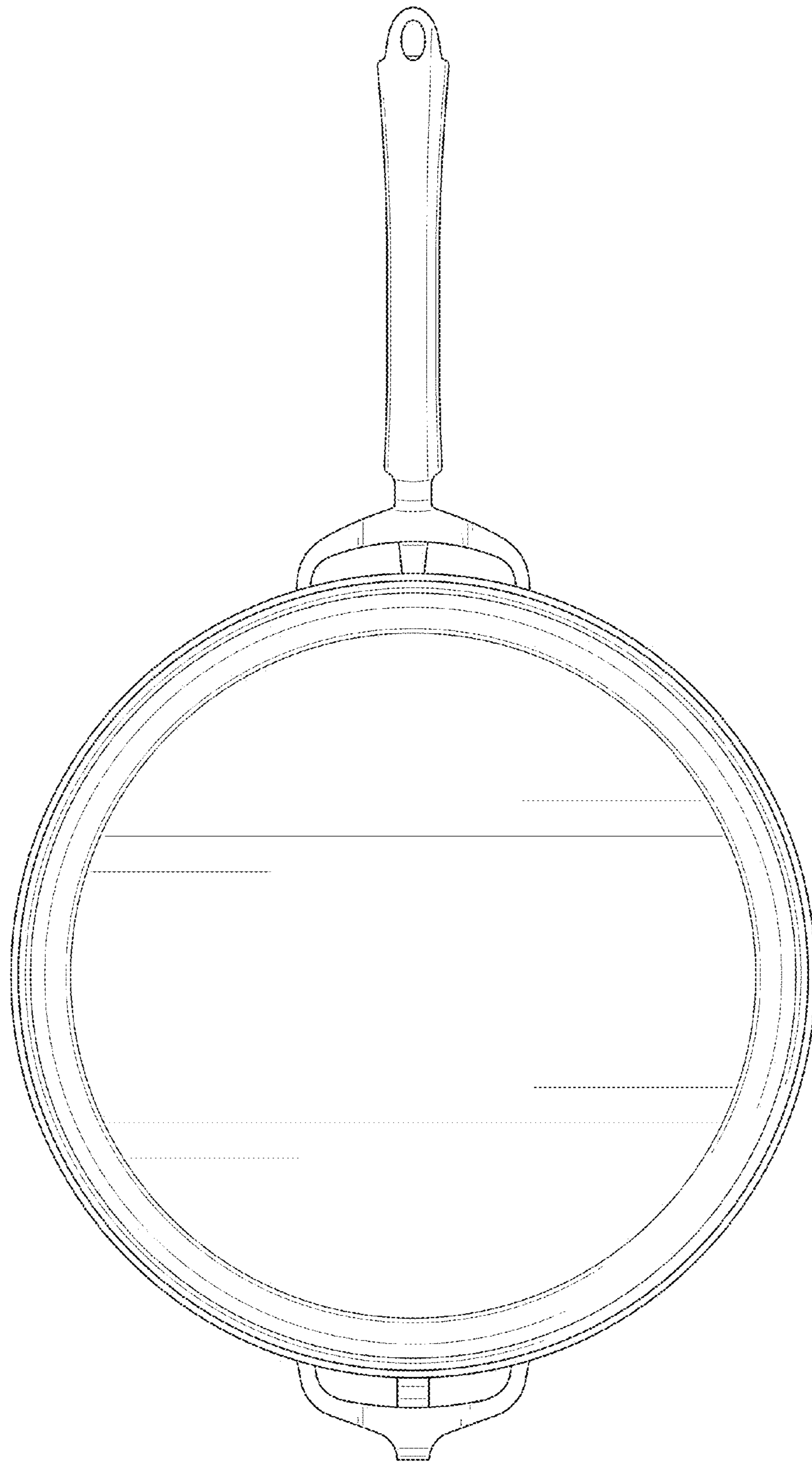


FIG. 13

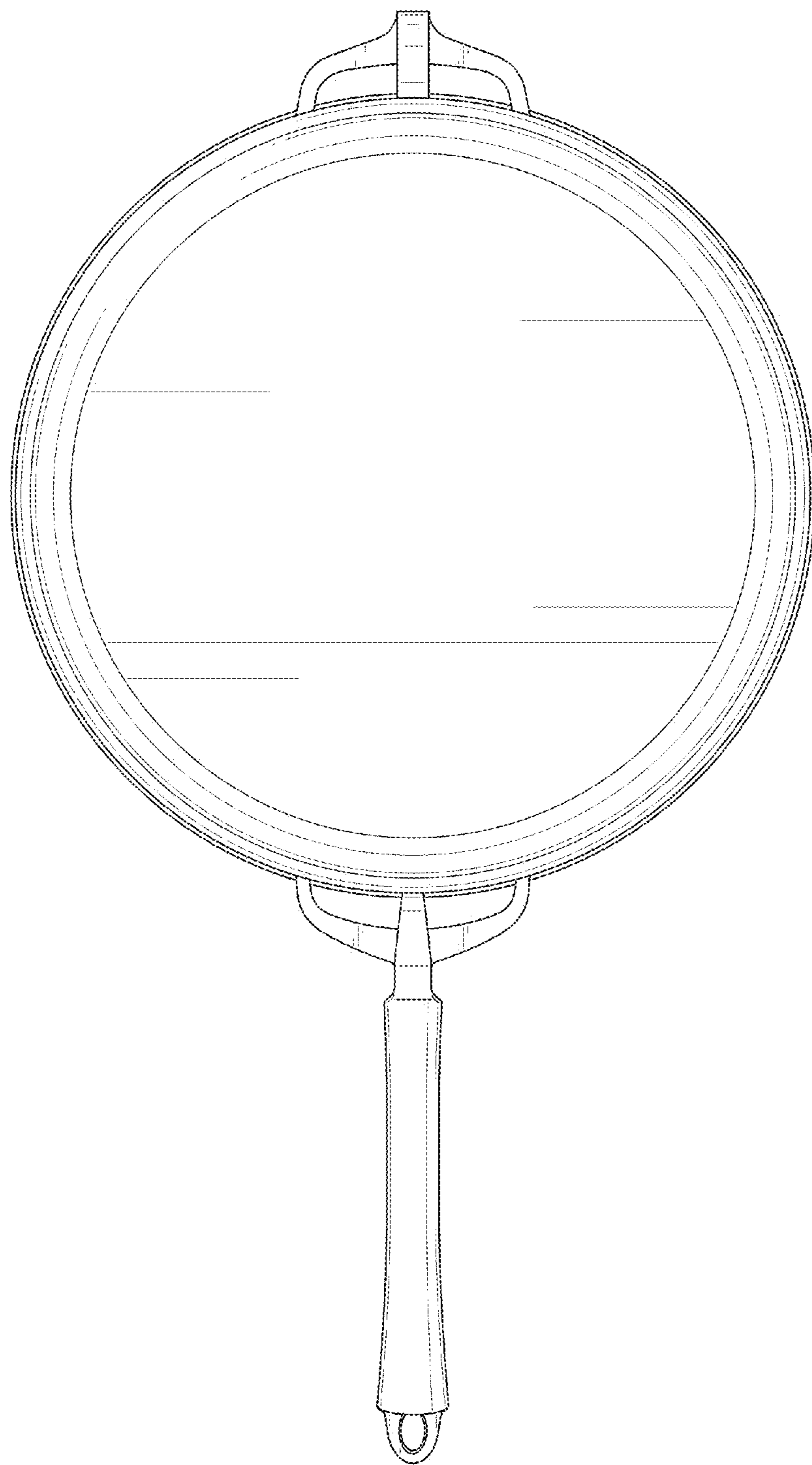


FIG. 14

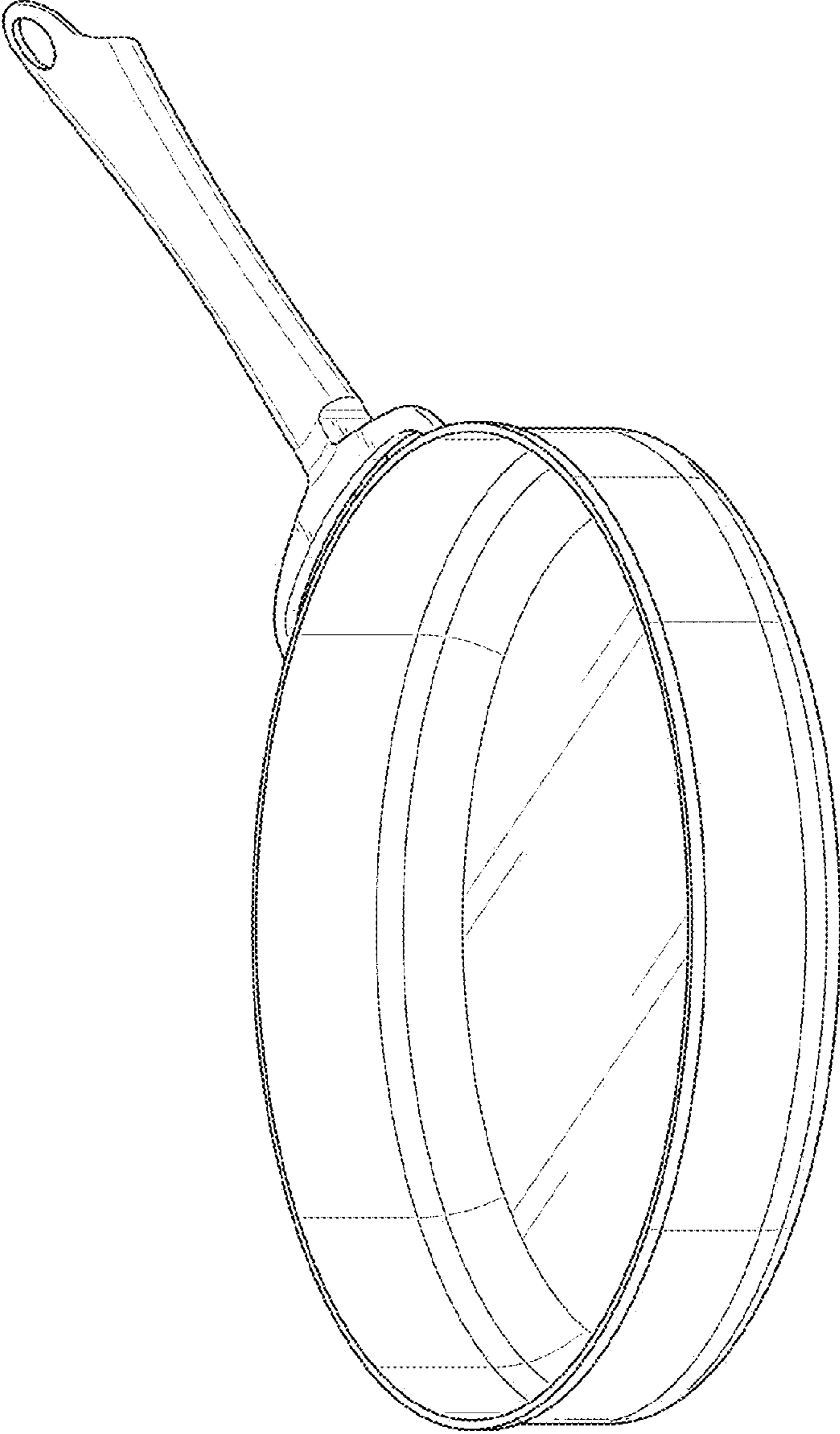


FIG. 15

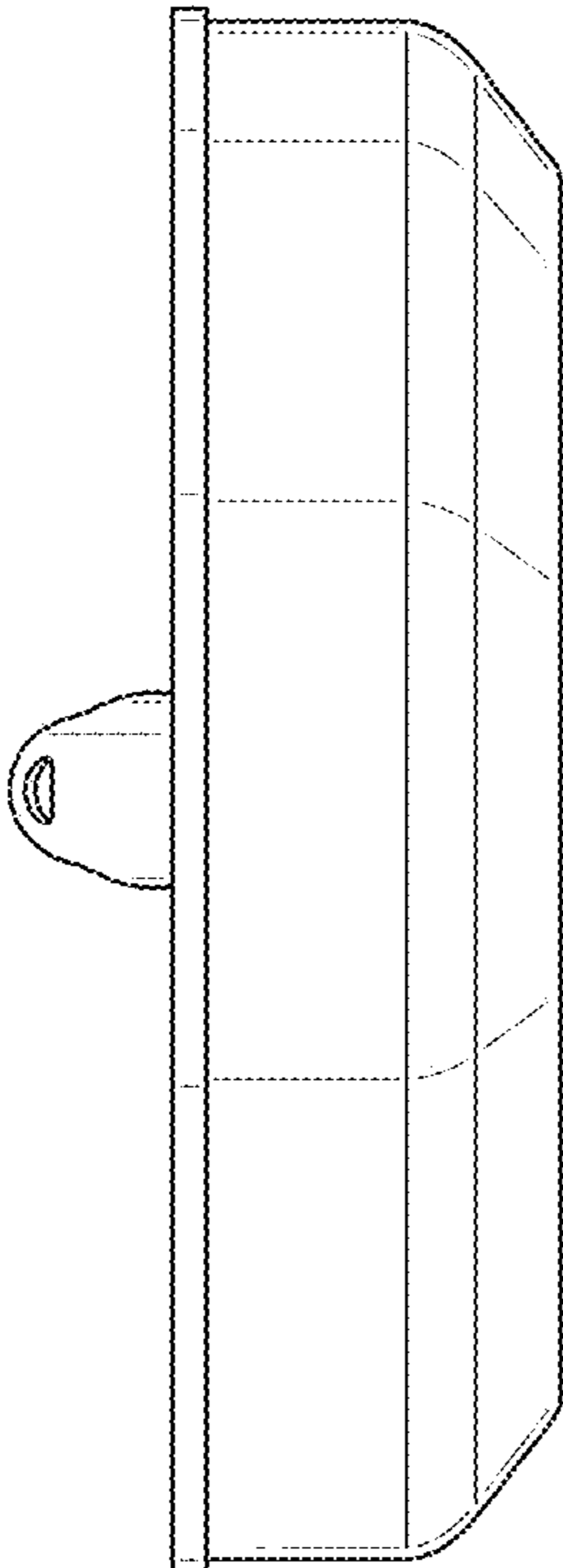


FIG. 16

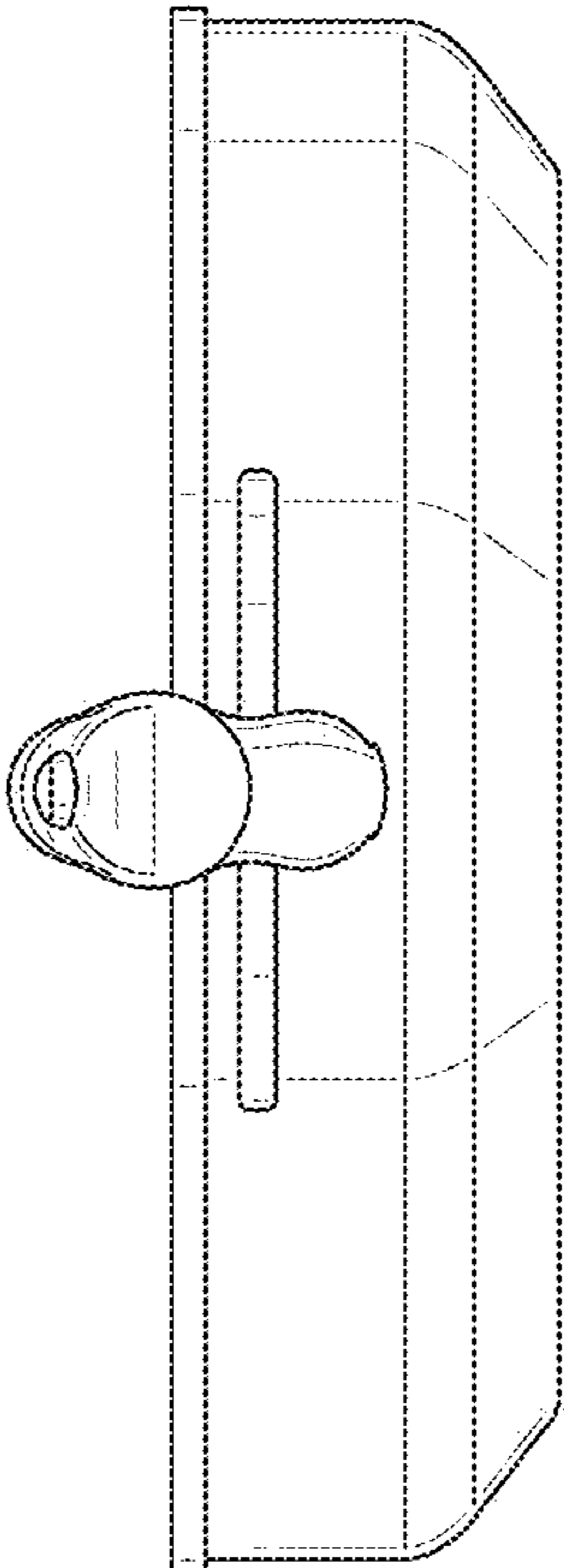


FIG. 17

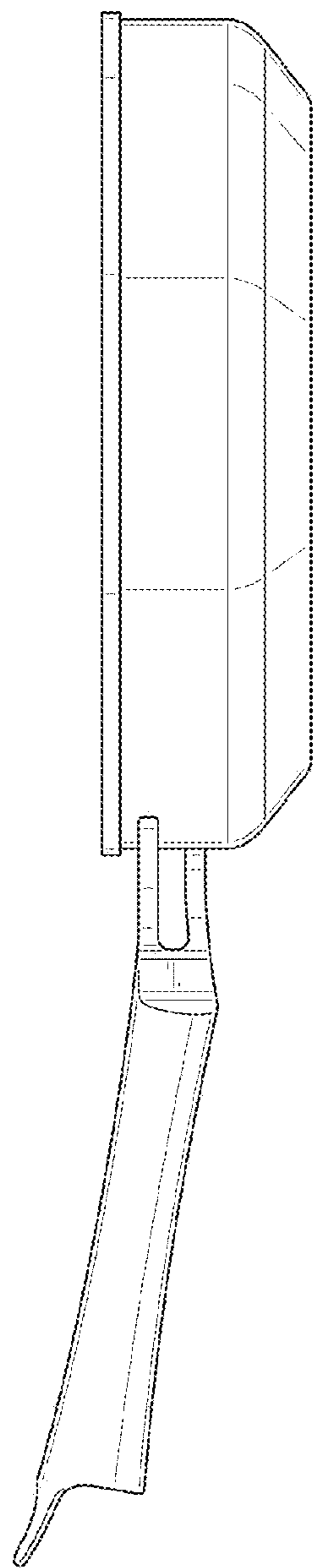


FIG. 18

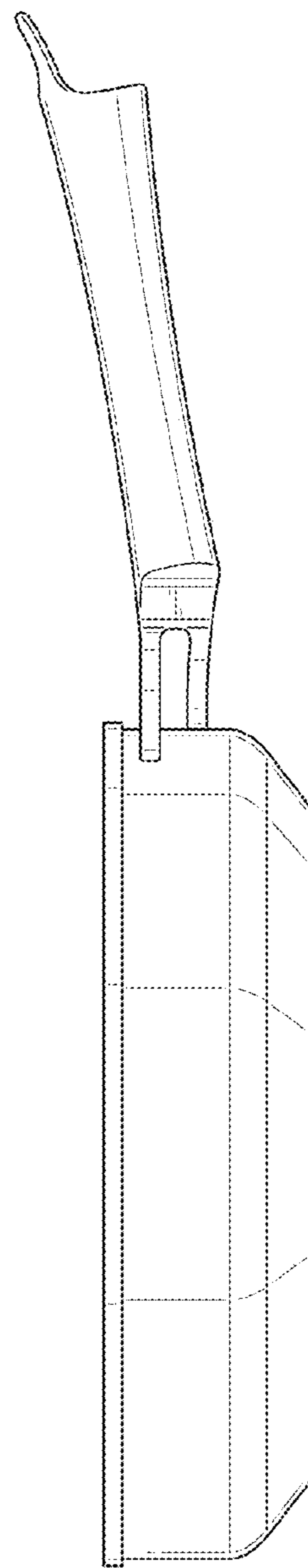


FIG. 19

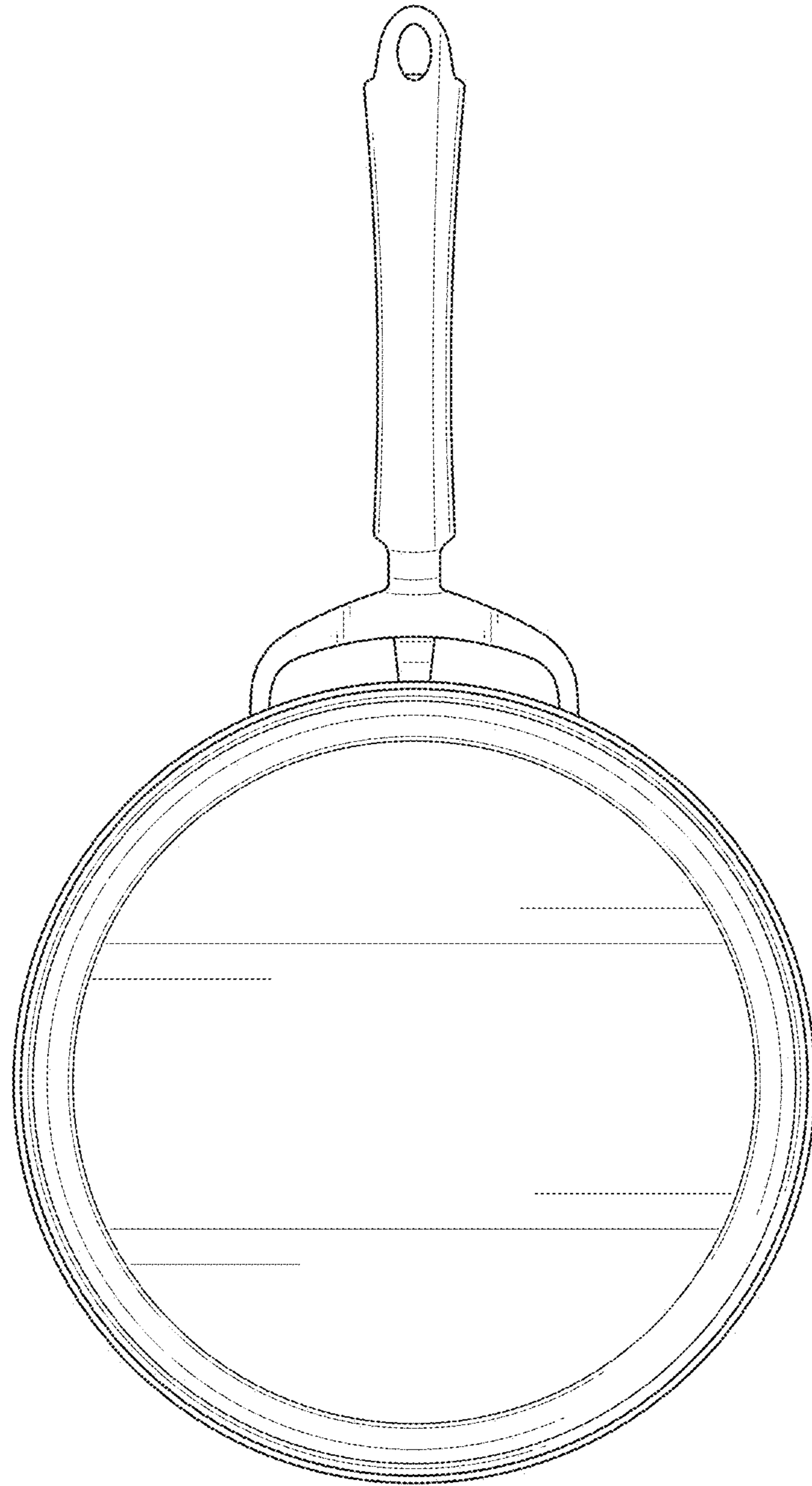


FIG. 20



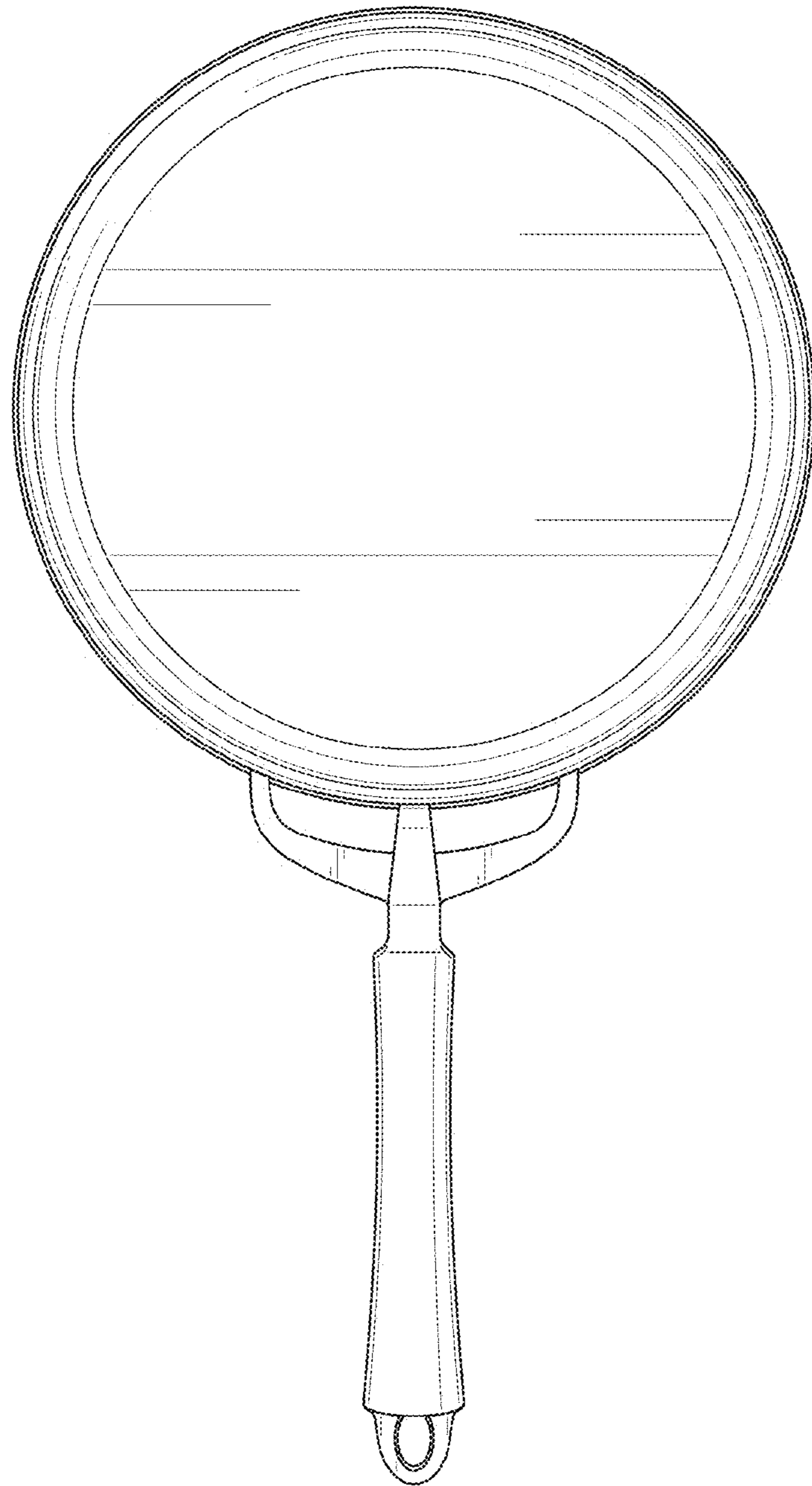


FIG. 21