

US00D732334S

(12) **United States Design Patent**
Bradford, Jr.

(10) **Patent No.:** **US D732,334 S**
(45) **Date of Patent:** **** Jun. 23, 2015**

(54) **COMBINED OUTDOOR GRILL AND SMOKER**

(71) Applicant: **Earnest L. Bradford, Jr.**, Castle, OK (US)

(72) Inventor: **Earnest L. Bradford, Jr.**, Castle, OK (US)

(**) Term: **14 Years**

(21) Appl. No.: **29/476,806**

(22) Filed: **Dec. 17, 2013**

(51) **LOC (10) Cl.** **07-02**

(52) **U.S. Cl.**
USPC **D7/334**

(58) **Field of Classification Search**
USPC D7/332, 334-337, 402-405, 362, 367;
99/481-482, 449, 340; 431/206;
126/19 M, 19 R, 39 R, 39 H, 39 B, 25 R,
126/43, 41 R, 9 R, 38, 37 R, 40, 50
See application file for complete search history.

(56) **References Cited**

U.S. PATENT DOCUMENTS

2,923,229	A *	2/1960	Halford	99/339
D266,050	S *	9/1982	Best	D7/334
4,664,026	A	5/1987	Milloy		
4,721,037	A	1/1988	Blosnich		
5,078,049	A	1/1992	Glanton		
D330,991	S *	11/1992	Christie	D7/335
D361,693	S *	8/1995	Burke	D7/337

6,209,533	B1	4/2001	Ganard		
6,422,134	B1	7/2002	Barksdale et al.		
D578,334	S *	10/2008	Abrahams	D7/334
7,624,675	B2	12/2009	Galdamez		
D619,411	S *	7/2010	Hill	D7/334
D619,846	S *	7/2010	Dunne et al.	D7/334
D667,253	S *	9/2012	Warren	D7/335
8,464,702	B2	6/2013	Foster		
D712,189	S *	9/2014	Eftink et al.	D7/334
2003/0150336	A1 *	8/2003	Roescher	99/340
2014/0290497	A1 *	10/2014	Blomberg	99/339

* cited by examiner

Primary Examiner — Ruth McInroy

(74) *Attorney, Agent, or Firm* — Robert C. Montgomery; Montgomery Patent & Design

(57) **CLAIM**

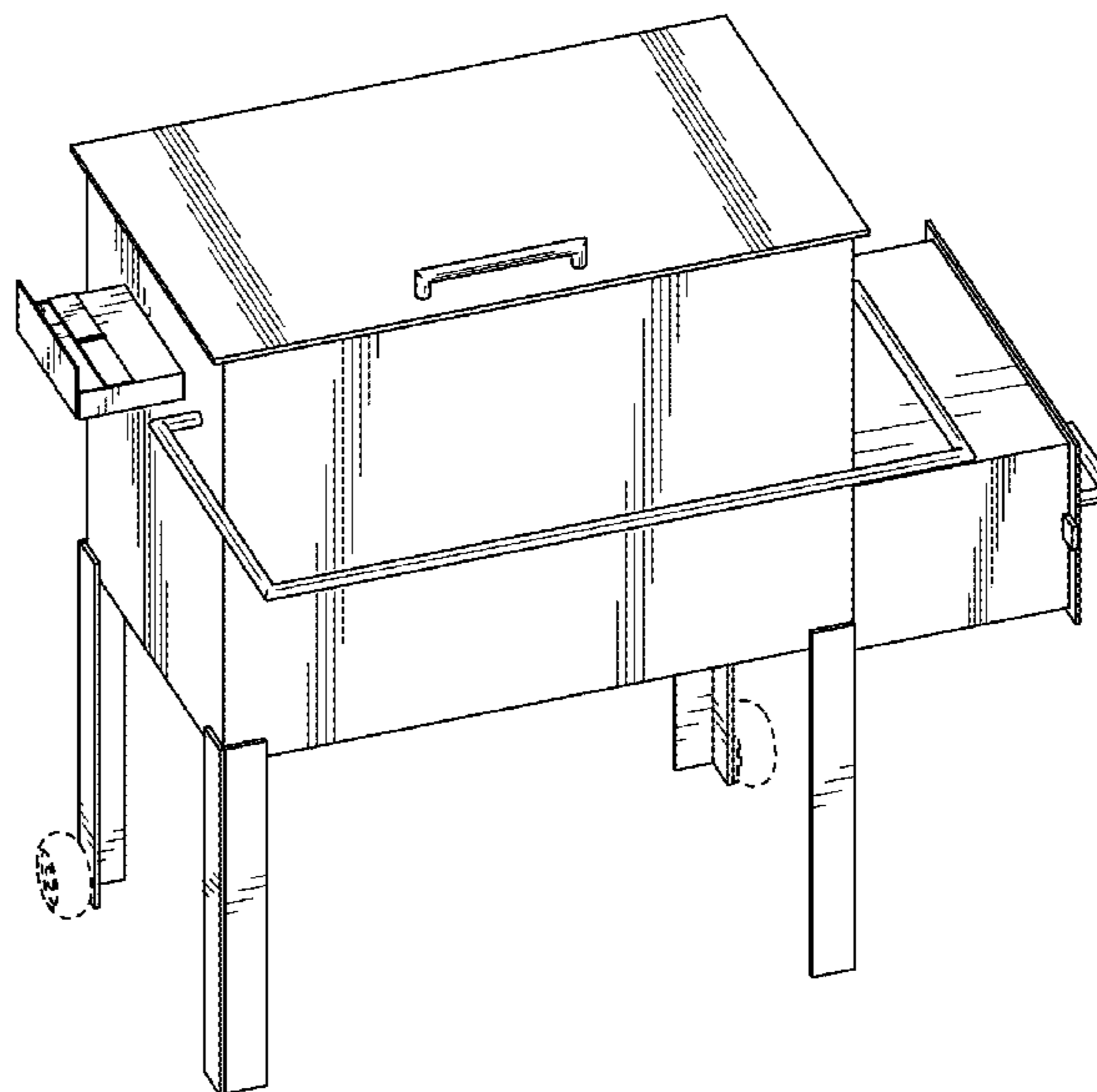
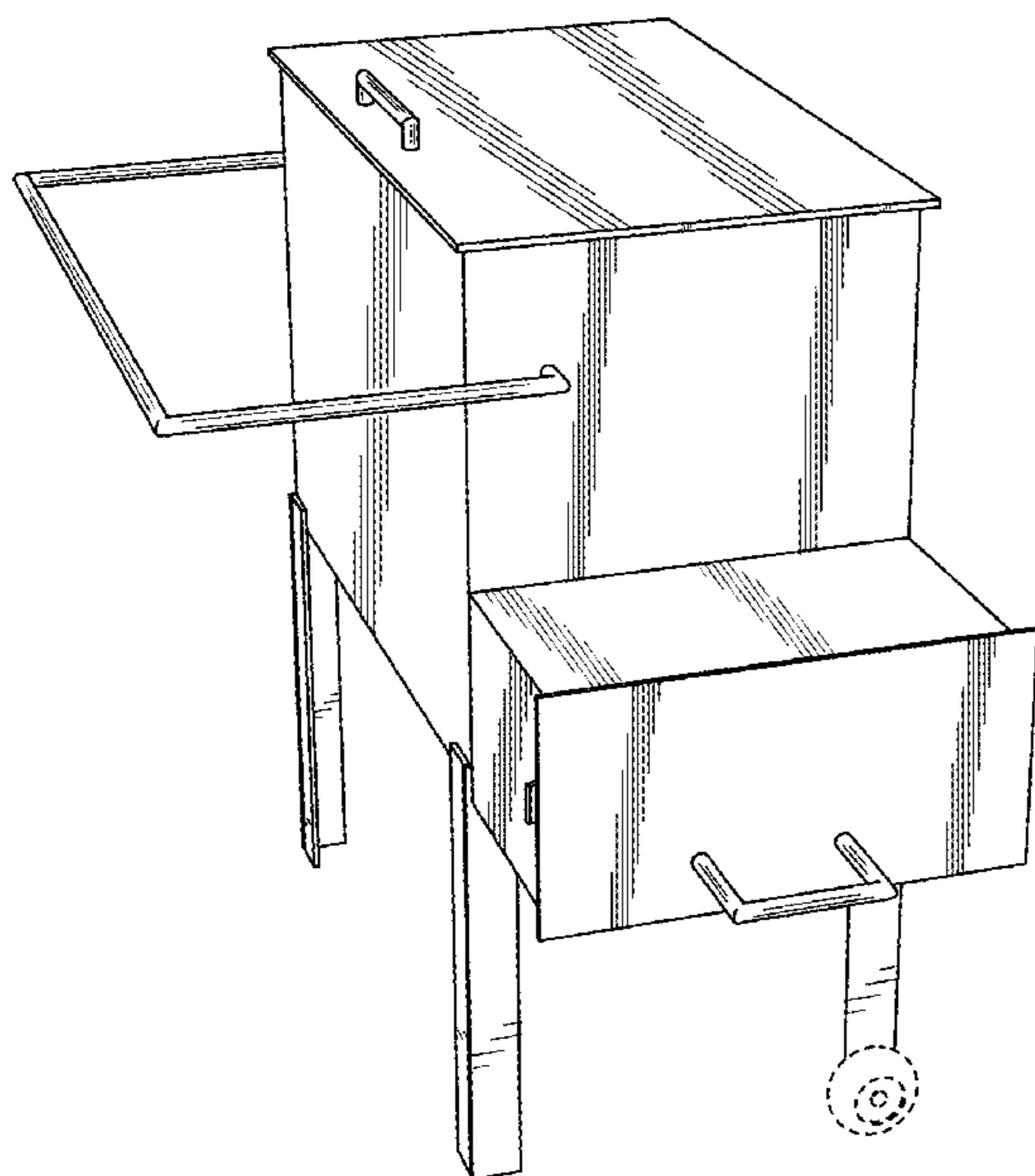
The ornamental design for a combined outdoor grill and smoker, as shown and described.

DESCRIPTION

FIG. 1 is a top, front and right side perspective view of a combined outdoor grill and smoker showing my new design; FIG. 2 is a top, front and left side perspective view thereof; FIG. 3 is a left side view thereof; FIG. 4 is a right side view thereof; FIG. 5 is a rear view thereof; FIG. 6 is a front view thereof; FIG. 7 is a top view thereof; and, FIG. 8 is a bottom view thereof.

The broken lines shown in FIGS. 1 and 2 illustrate the environment of the article and form no part of the claimed design.

1 Claim, 8 Drawing Sheets



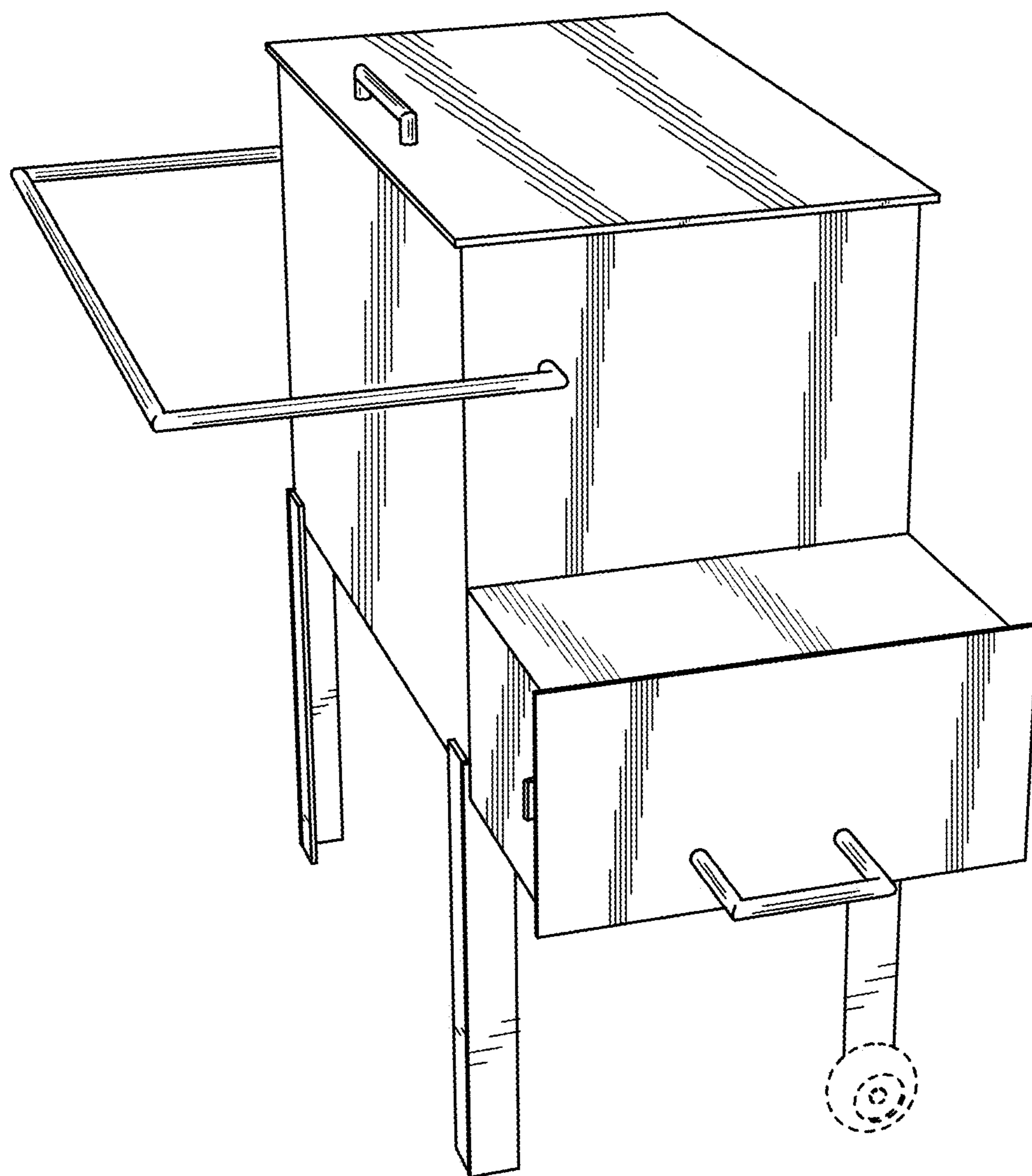


Fig. 1

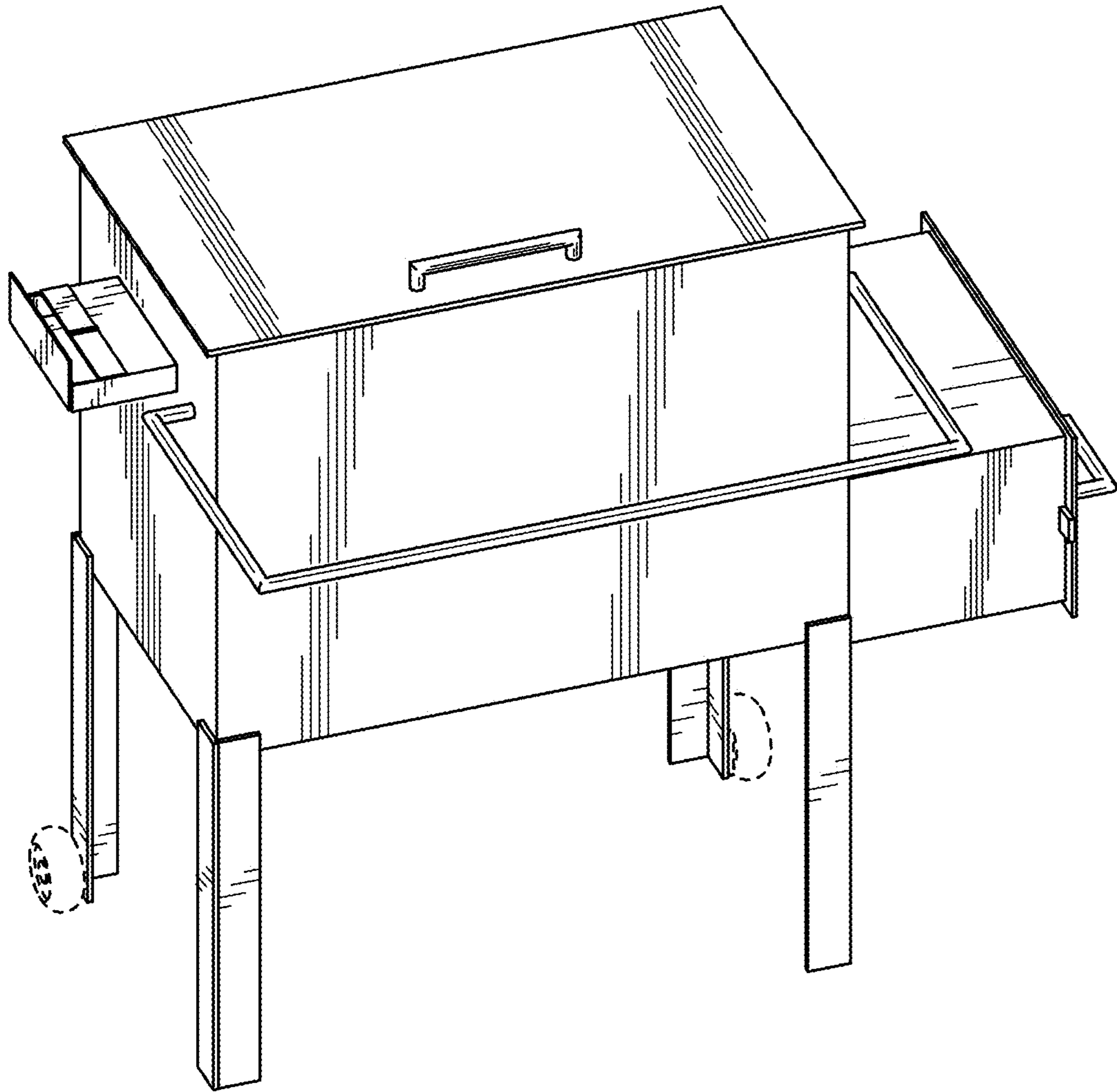


Fig. 2

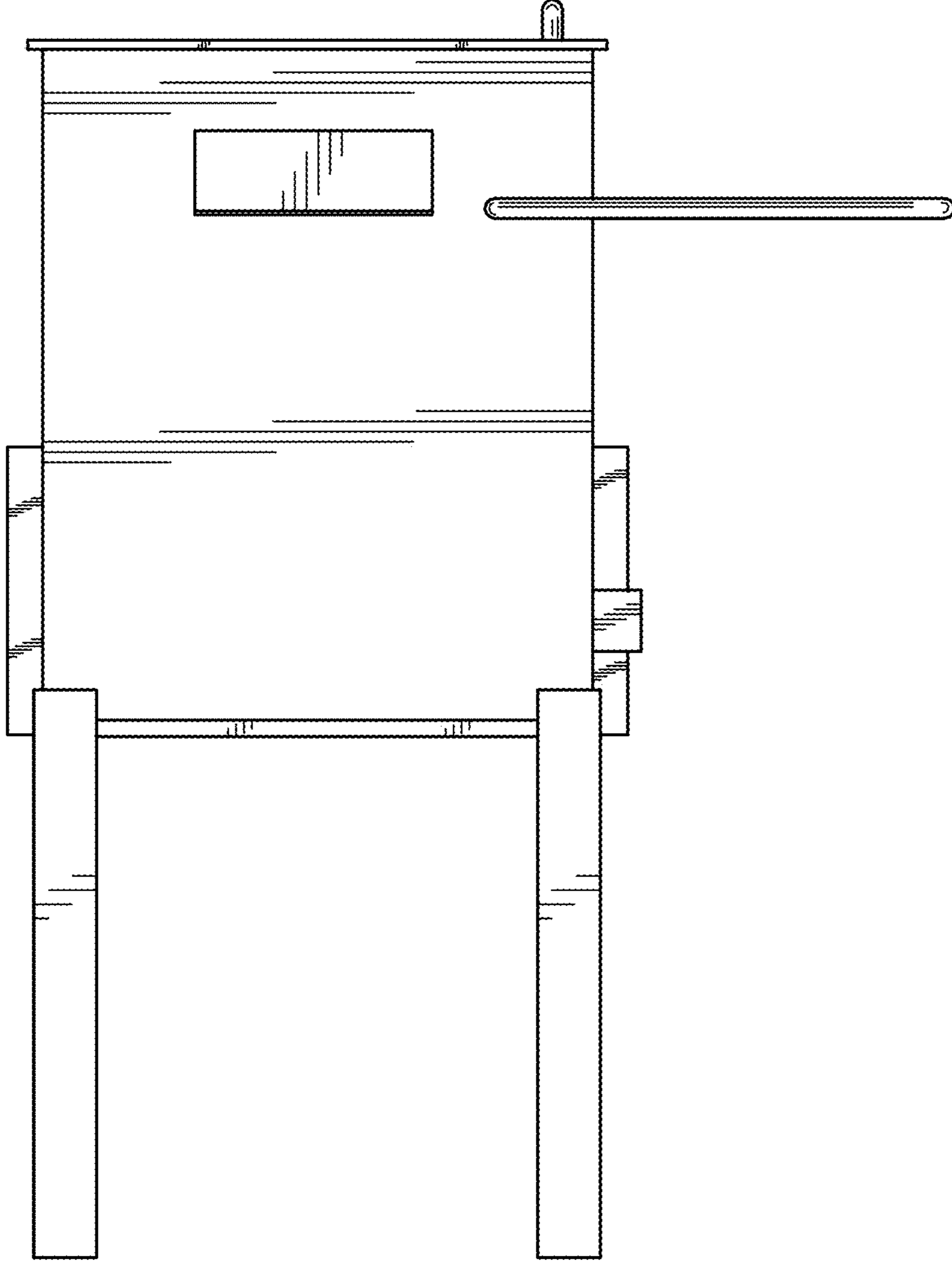


Fig. 3

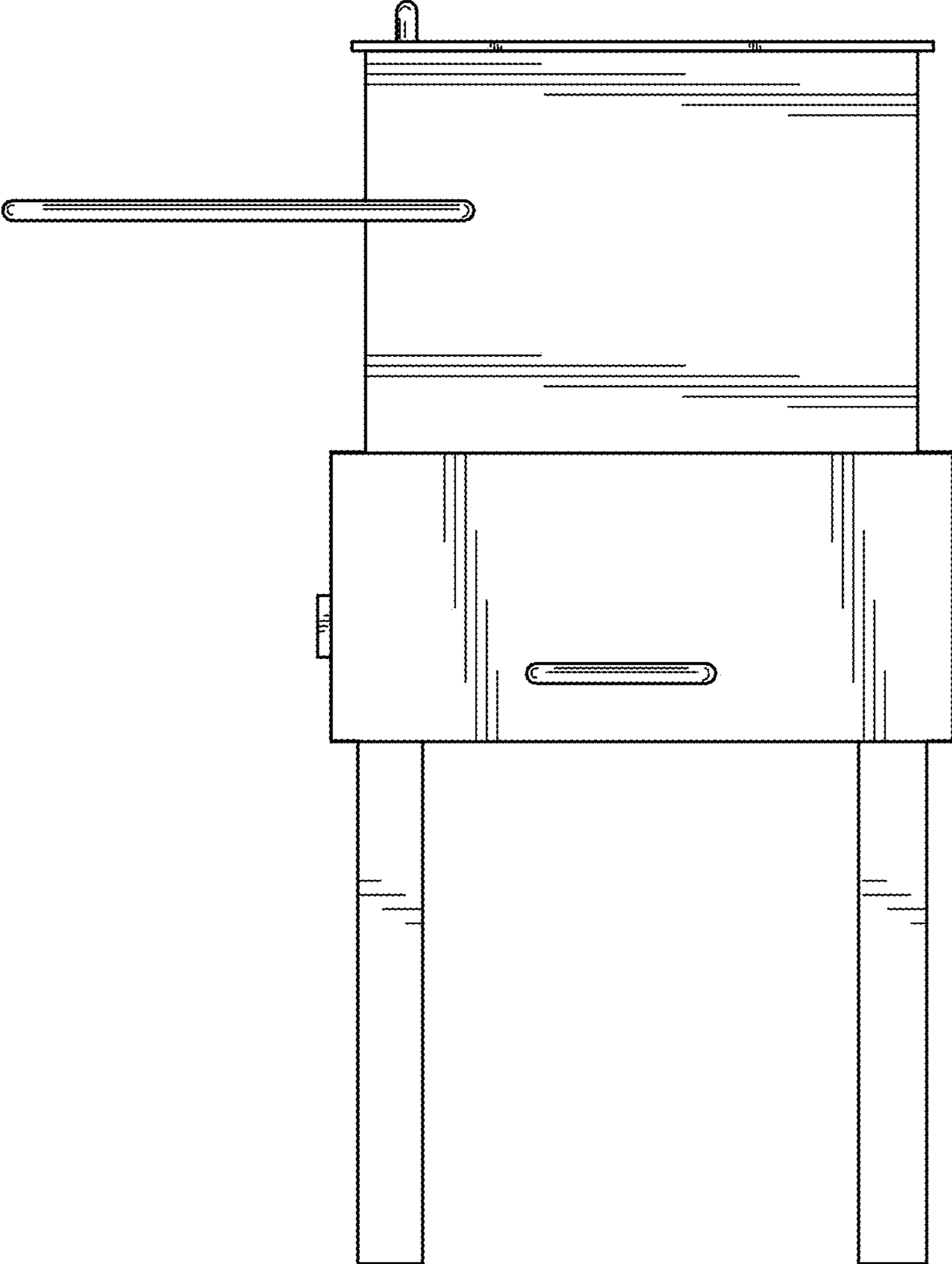


Fig. 4

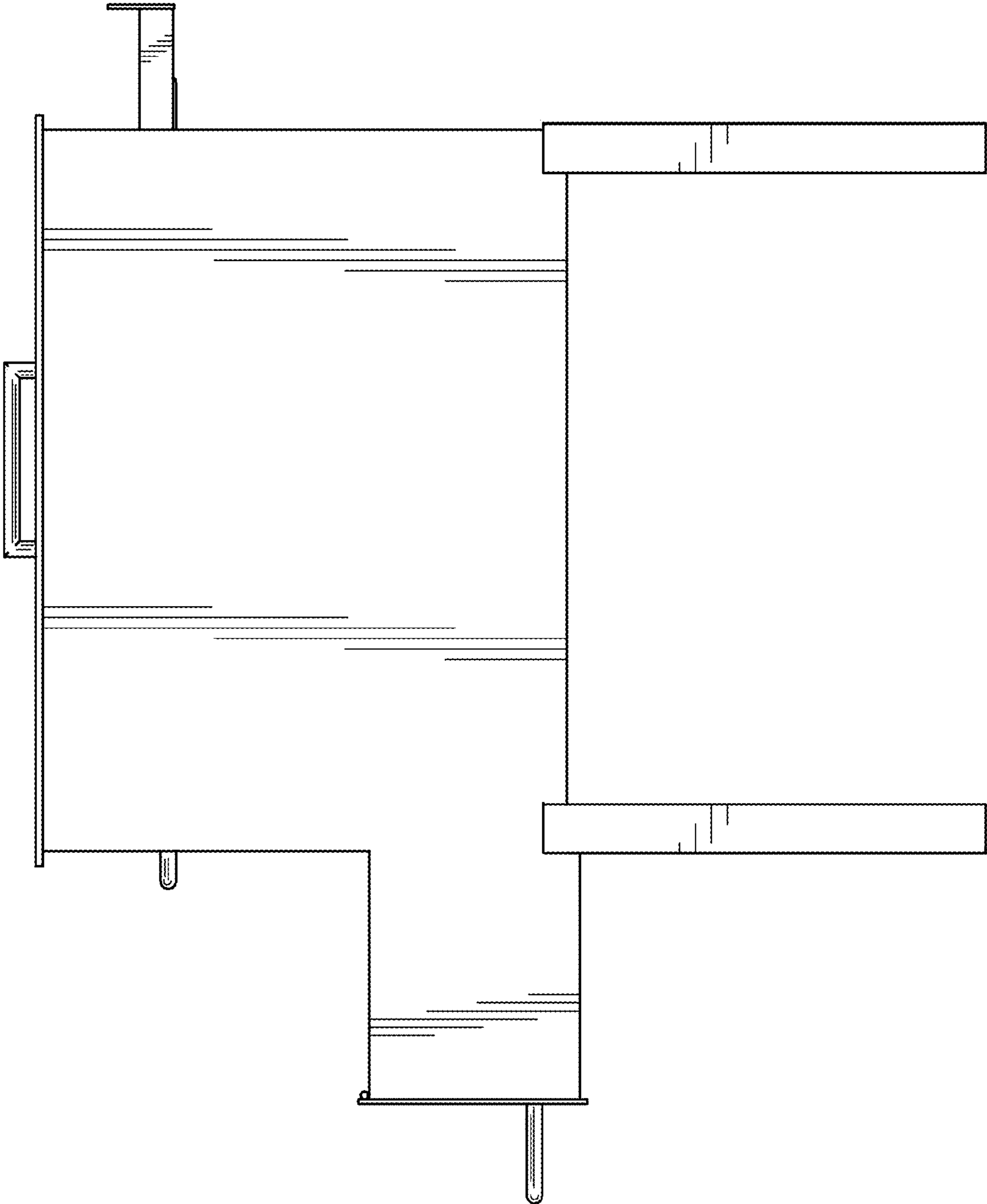


Fig. 5

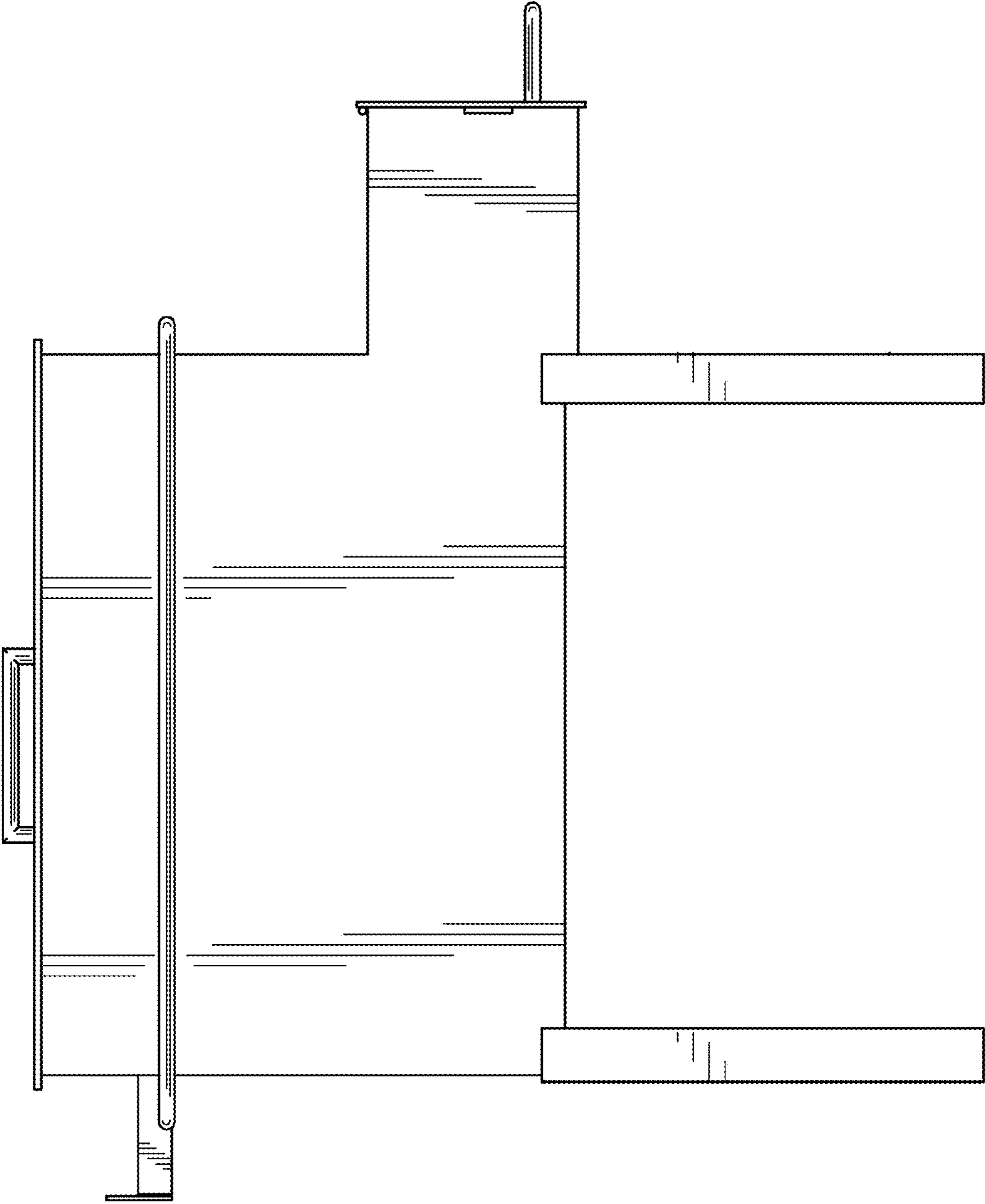


Fig. 6

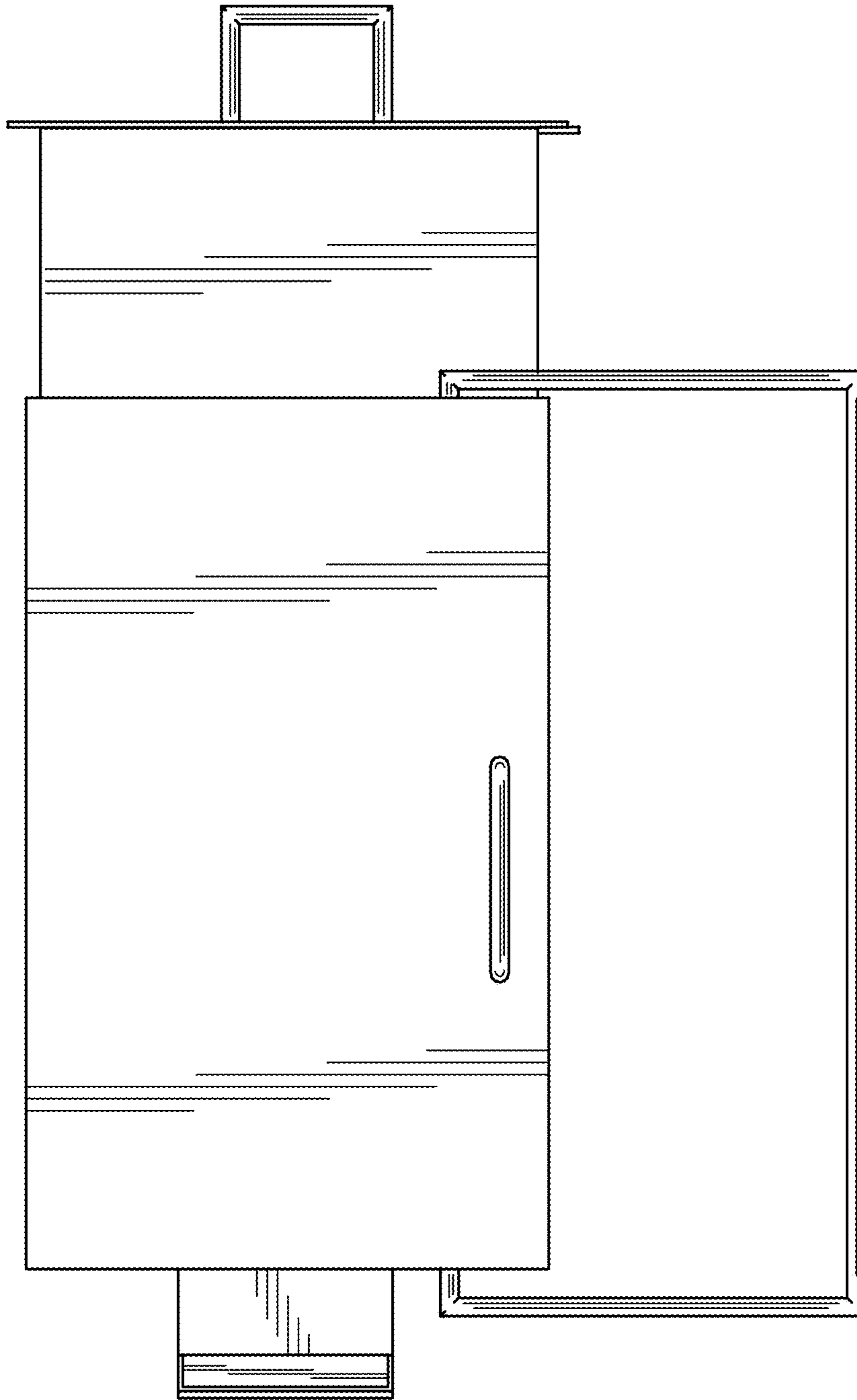


Fig. 7

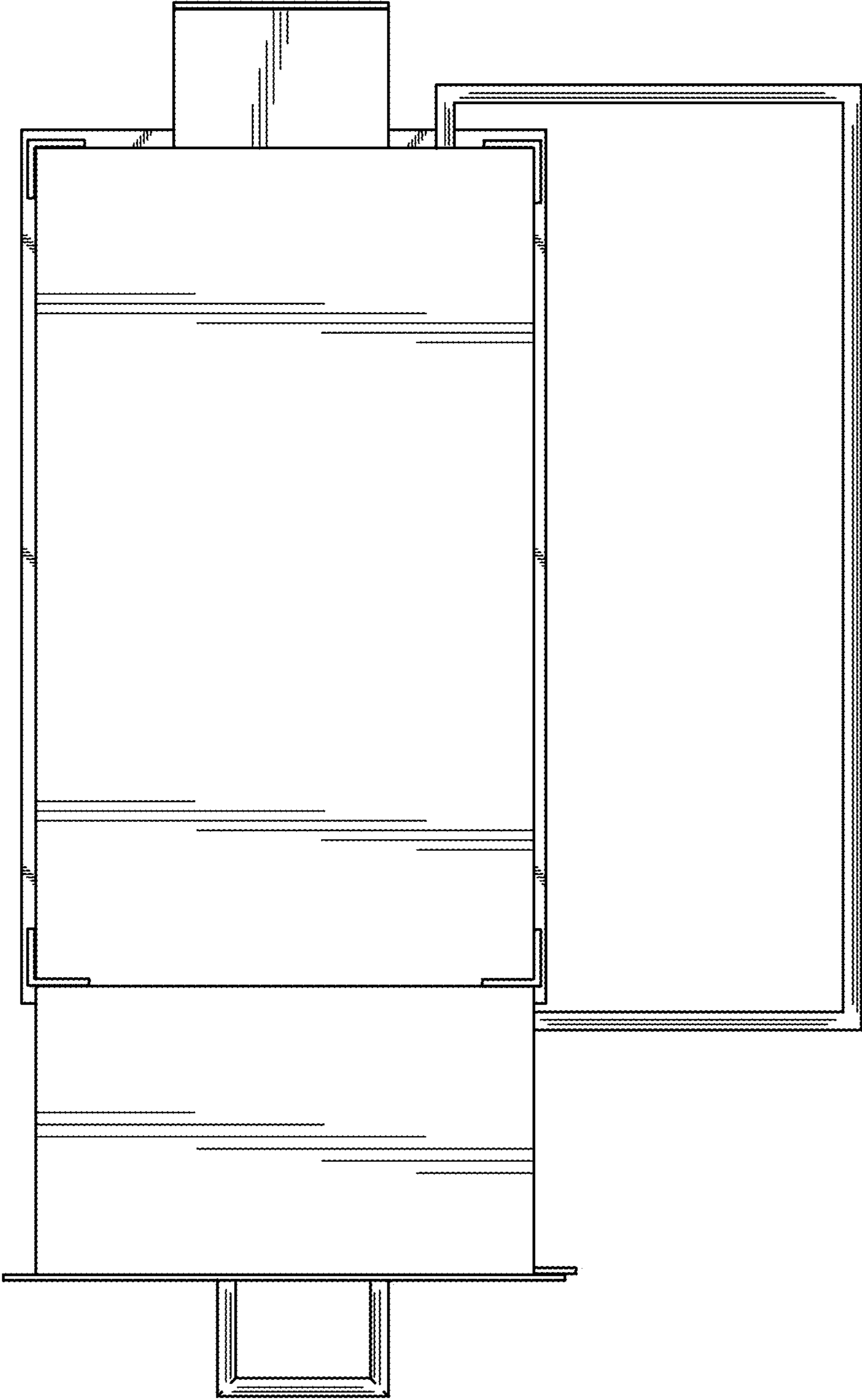


Fig. 8