



US00D732333S

(12) **United States Design Patent**
Mercier

(10) **Patent No.:** **US D732,333 S**
(45) **Date of Patent:** **** Jun. 23, 2015**

- (54) **PIZZA BOX OVEN**
- (71) Applicant: **Pierre Mercier**, Laval (CA)
- (72) Inventor: **Pierre Mercier**, Laval (CA)
- (**) Term: **14 Years**
- (21) Appl. No.: **29/465,578**
- (22) Filed: **Aug. 29, 2013**
- (51) **LOC (10) Cl.** **07-02**
- (52) **U.S. Cl.**
USPC **D7/323**; D9/432
- (58) **Field of Classification Search**
USPC D7/323, 347, 348, 601, 602, 402;
D9/430, 432, 433
CPC A21B 1/40; A21B 1/52; A21B 5/00;
A47J 37/0623; A47J 47/14; A47J 47/145;
B65D 81/00; B65D 81/18; B65D 81/263;
B65D 81/3453; B64D 81/3446; F24C 1/16
See application file for complete search history.

(56) **References Cited**

U.S. PATENT DOCUMENTS

3,721,803	A *	3/1973	DiStefano	219/387
4,134,004	A *	1/1979	Anderson et al.	219/387
4,237,171	A *	12/1980	Laage et al.	426/127
4,567,341	A *	1/1986	Brown	219/729
4,592,914	A *	6/1986	Kuchenbecker	426/107
4,640,265	A *	2/1987	Romo	126/337 R
4,922,626	A *	5/1990	Fiddler	34/80
4,933,534	A *	6/1990	Cunningham et al.	219/387
4,995,835	A *	2/1991	Cunningham et al.	439/668

5,385,292	A *	1/1995	Labianca et al.	229/120
5,402,930	A *	4/1995	Storms et al.	229/125.28
D368,657	S *	4/1996	Newell	D9/432
D390,110	S *	2/1998	Mario	D9/433
5,880,435	A *	3/1999	Bostic	219/387
5,981,911	A *	11/1999	Miller et al.	219/387
6,222,160	B1 *	4/2001	Remke et al.	219/387
6,222,987	B1 *	4/2001	Duke et al.	392/383
6,384,387	B1 *	5/2002	Owens et al.	219/601
2006/0102167	A1 *	5/2006	Driscoll, Jr.	126/275 R
2013/0161319	A1 *	6/2013	Holey et al.	220/4.01

* cited by examiner

Primary Examiner — Martie K Holtje

(74) *Attorney, Agent, or Firm* — Eugene Gierczak

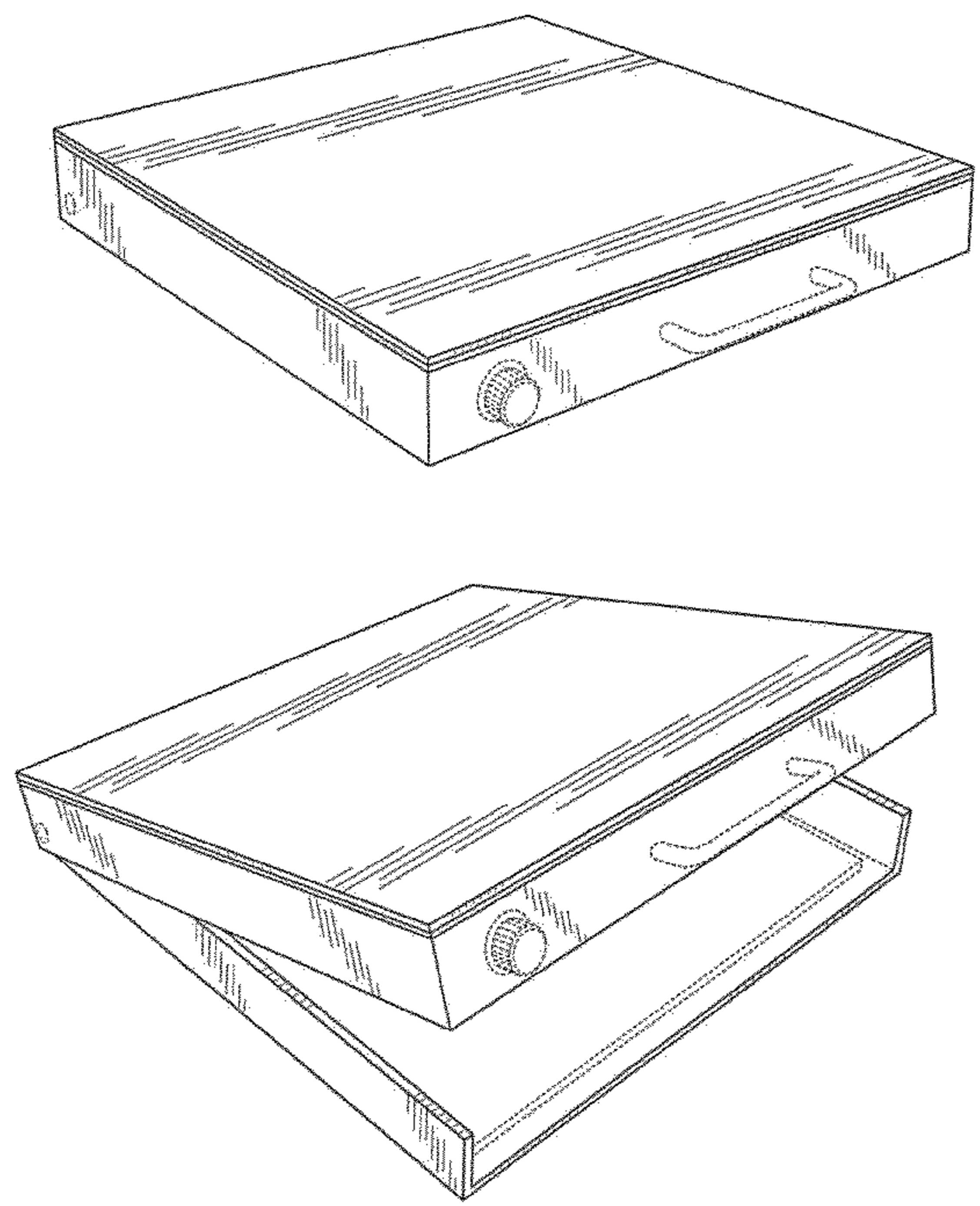
(57) **CLAIM**

The ornamental design for the “pizza box oven,” as shown and described.

DESCRIPTION

FIG. 1 is a top perspective view of the pizza box oven.
 FIG. 2 is a bottom perspective view of the pizza box oven.
 FIG. 3 is a left side elevational view of the pizza box oven.
 FIG. 4 is a front elevational view of the pizza box oven.
 FIG. 5 is a right side view of the pizza box oven.
 FIG. 6 is a rear view of the pizza box oven.
 FIG. 7 is a top plan view of the pizza box oven.
 FIG. 8 is a bottom plan view of the pizza box oven; and,
 FIG. 9 is a top perspective view of the pizza box oven in an open position.
 The structural features depicted by broken lines have been shown for the purpose of illustrating portions of the pizza box oven that form no part of the claimed design.

1 Claim, 5 Drawing Sheets



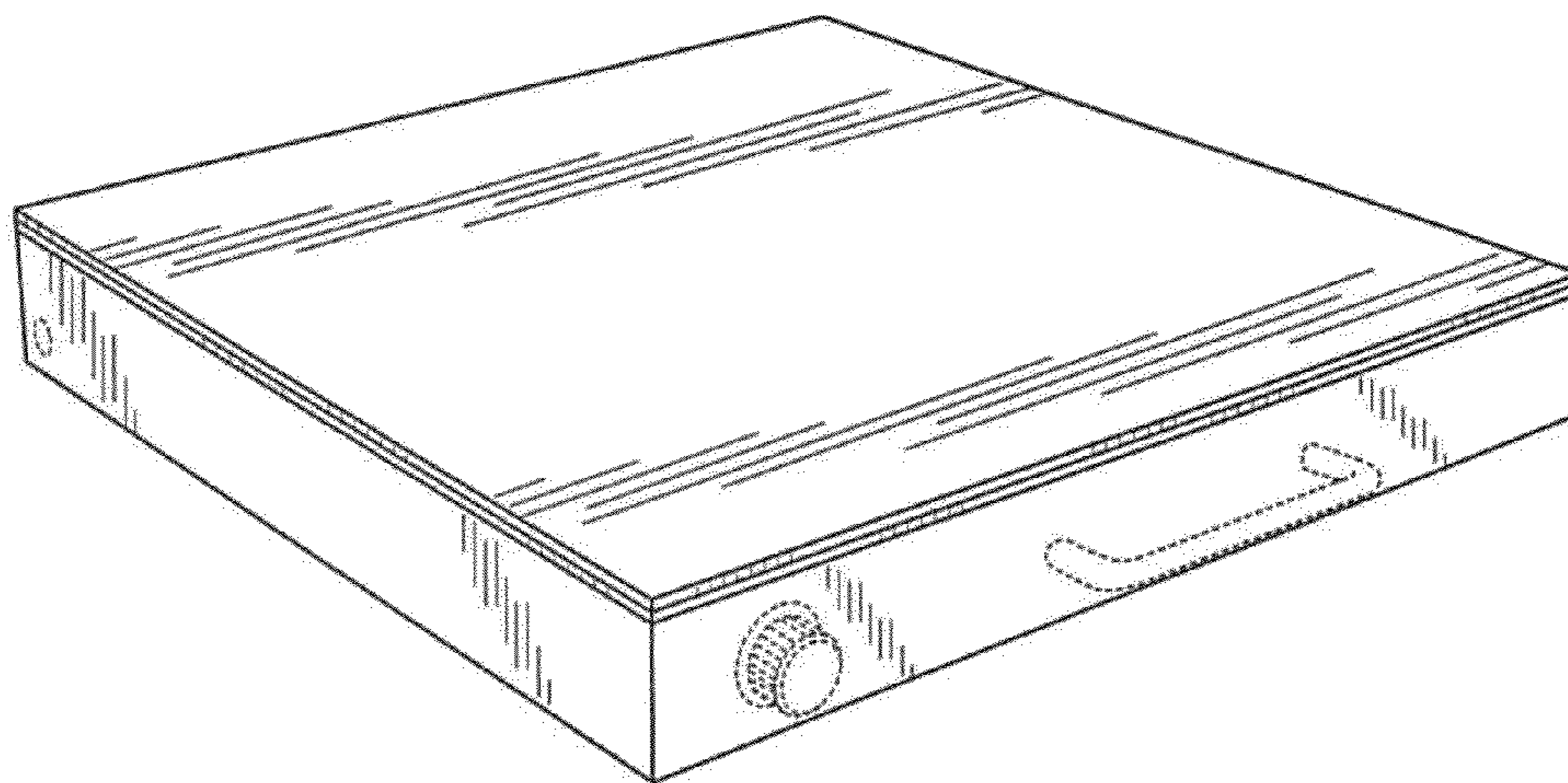


FIG. 1

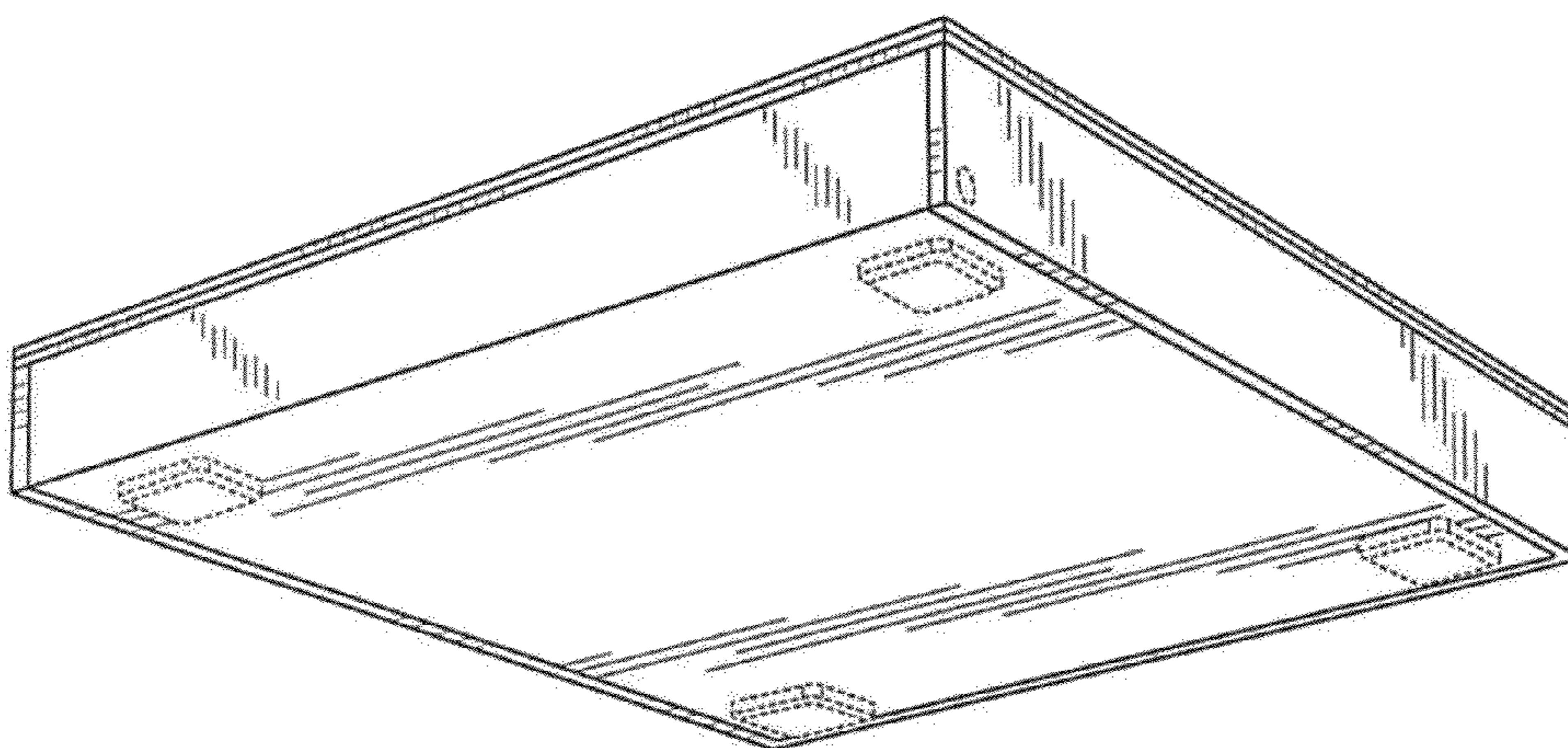


FIG. 2

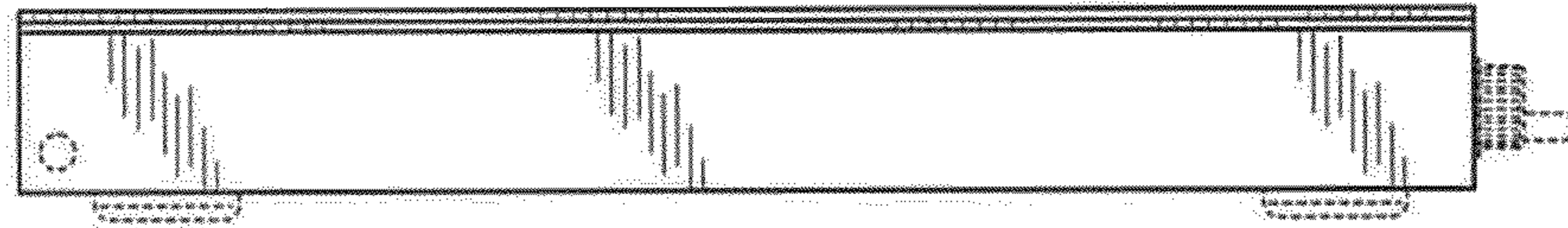


FIG. 3

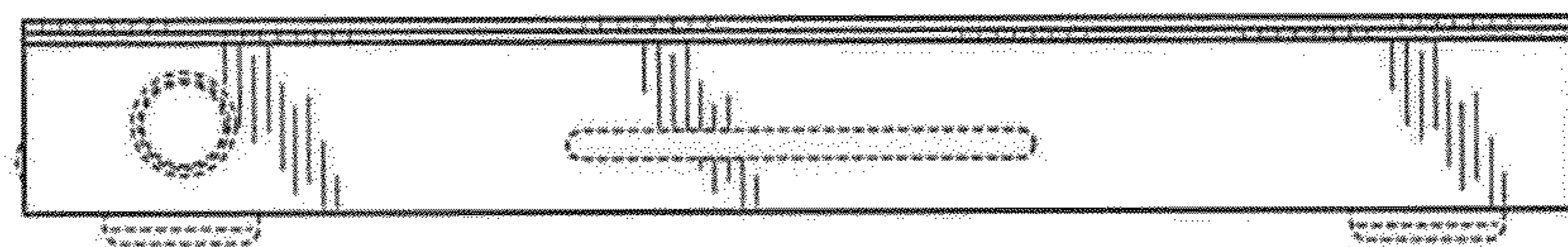


FIG. 4

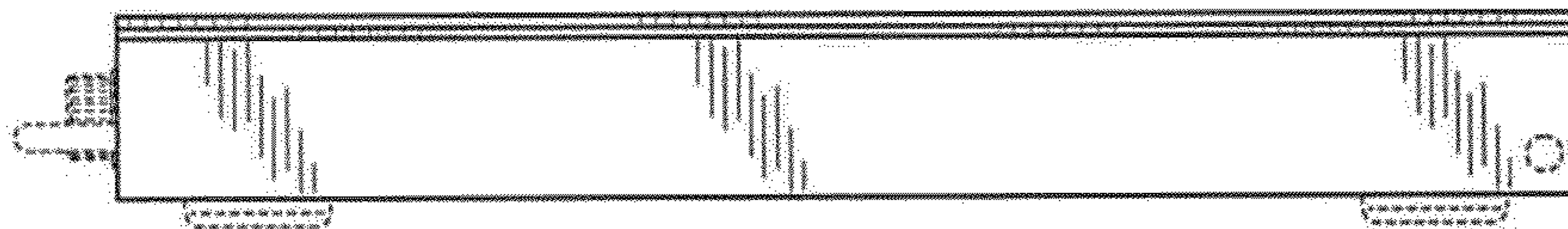


FIG. 5

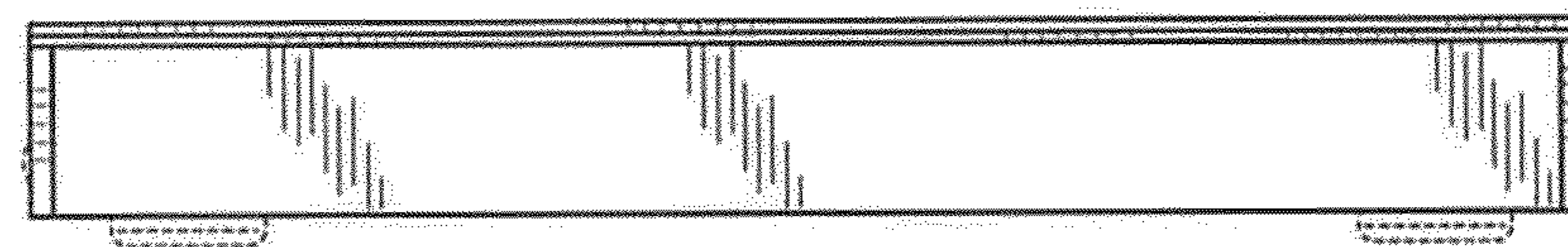


FIG. 6

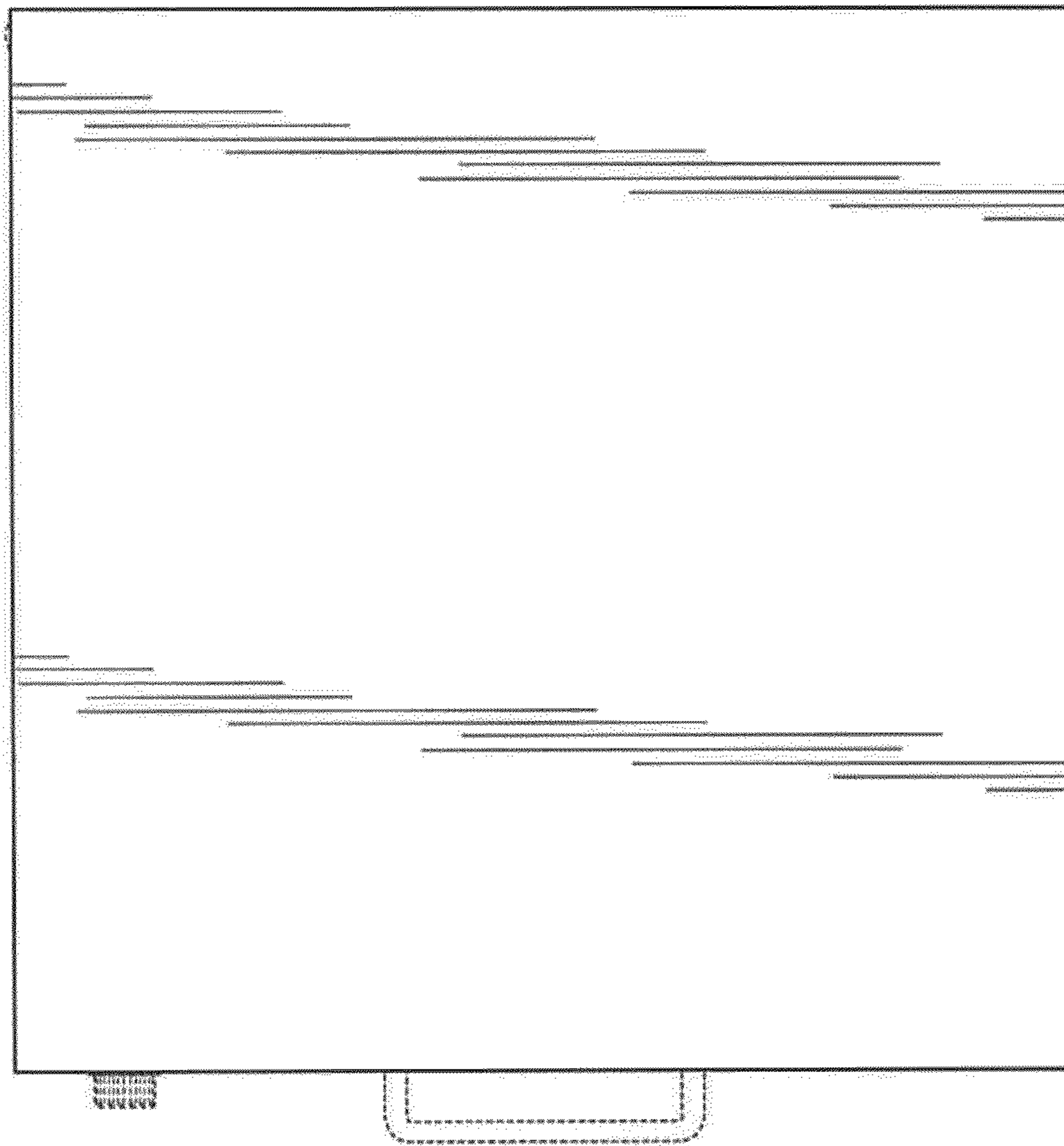


FIG. 7

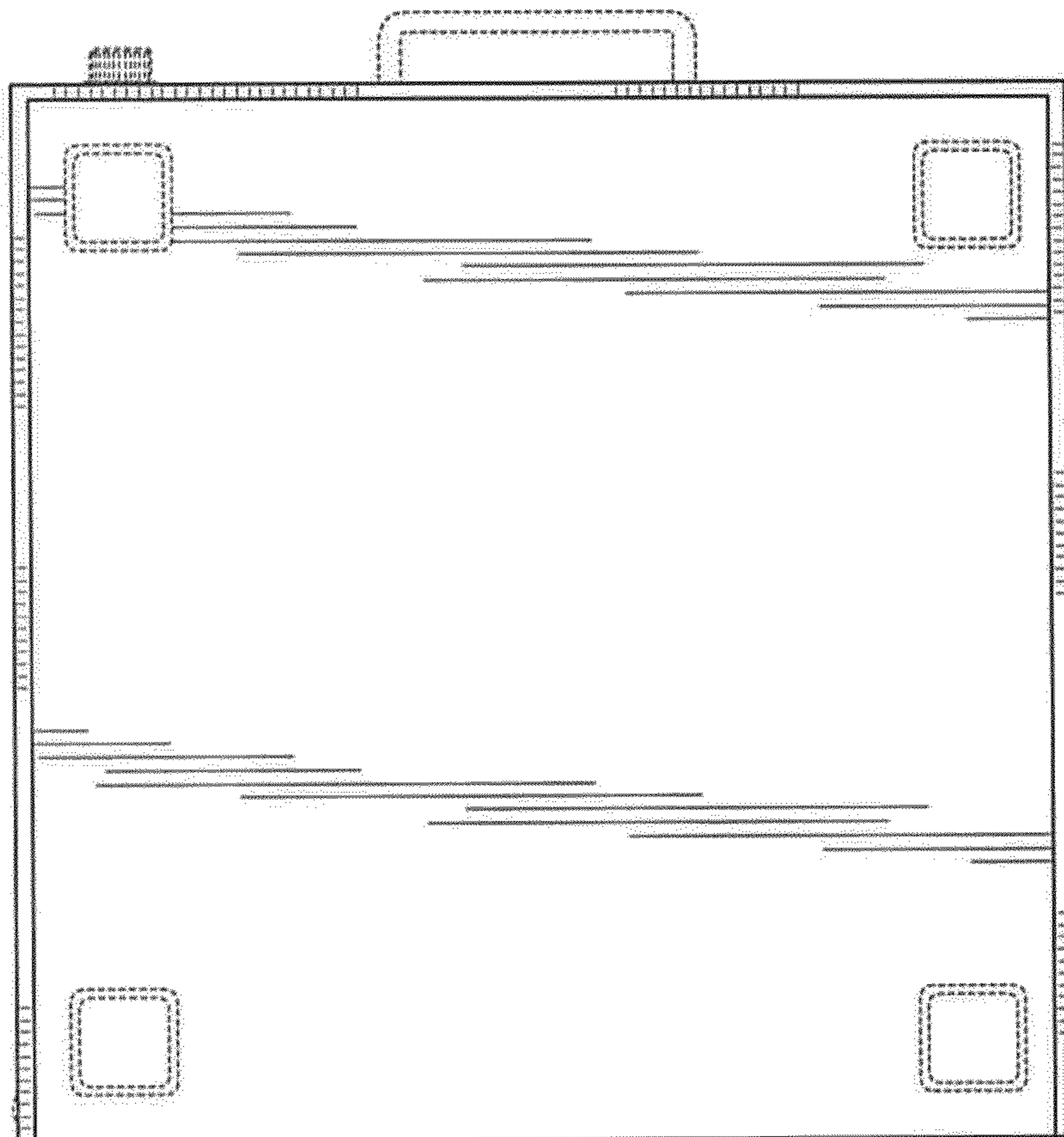


FIG. 8

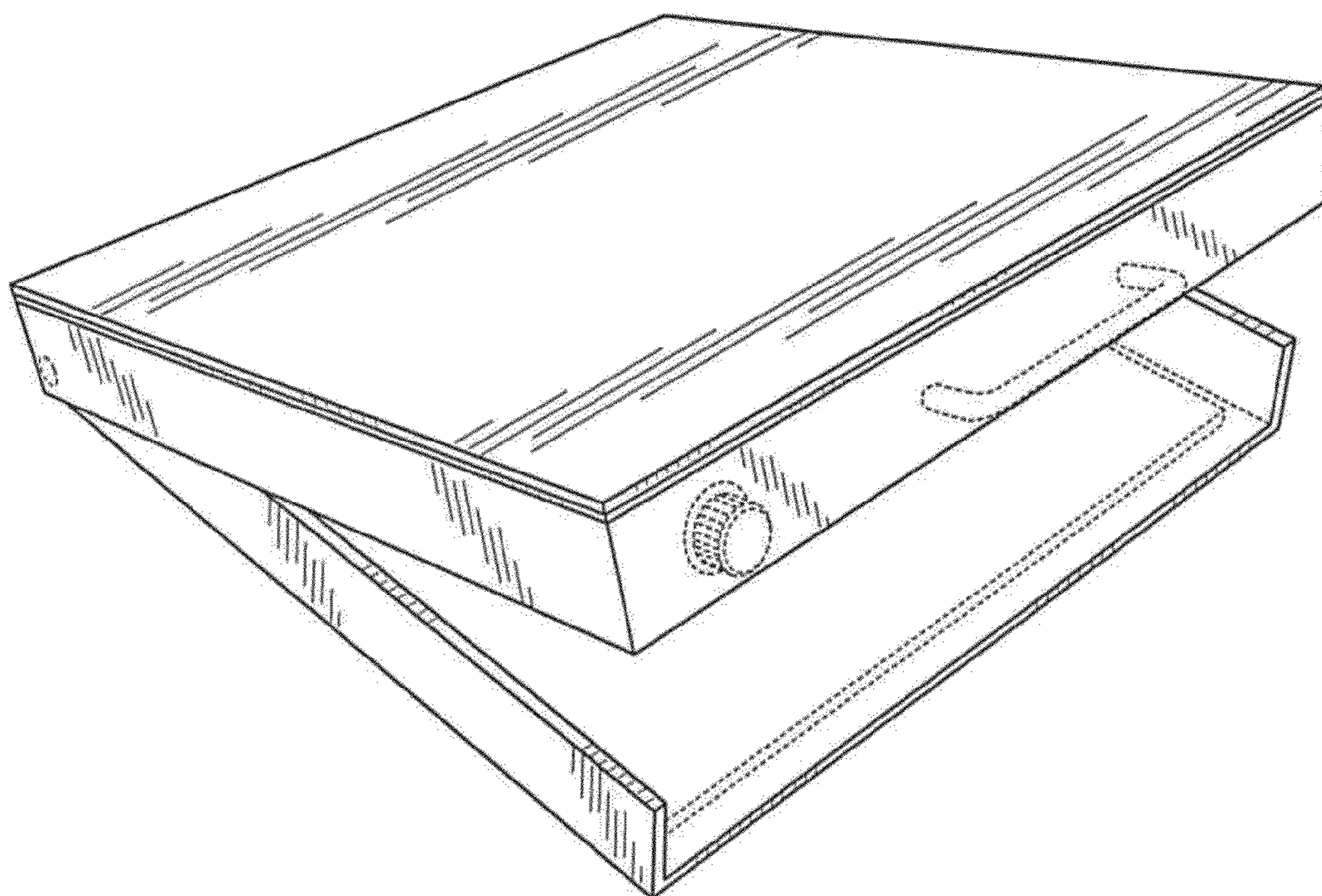


FIG. 9