



US00D732332S

(12) **United States Design Patent**
Kai

(10) **Patent No.:** **US D732,332 S**
(45) **Date of Patent:** **** Jun. 23, 2015**

(54) **ELECTRIC COFFEE MAKER**

(71) Applicant: **SEB, Selongey (FR)**

(72) Inventor: **Sit Sing Kai, Cheung Sha Wan (HK)**

(73) Assignee: **SEB, Selongey (FR)**

(**) Term: **14 Years**

(21) Appl. No.: **29/479,648**

(22) Filed: **Jan. 17, 2014**

(30) **Foreign Application Priority Data**

Jul. 23, 2013 (EM) 002279570-0001

(51) **LOC (10) Cl.** **07-01**

(52) **U.S. Cl.**
USPC **D7/310; D7/311; D7/309**

(58) **Field of Classification Search**
USPC D7/306-311, 305, 300; 99/279, 284,
99/290, 280, 299, 307
CPC A47J 31/44
See application file for complete search history.

(56) **References Cited**

U.S. PATENT DOCUMENTS

D343,758 S	2/1994	Beeren	
D462,226 S	9/2002	Williamson et al.	
D481,902 S	11/2003	O'Connor et al.	
D511,066 S	11/2005	Garner	
D524,588 S *	7/2006	Copland	D7/309
D526,524 S *	8/2006	Jordana	D7/309
D526,828 S *	8/2006	Jordana	D7/309
D545,110 S *	6/2007	Julemont	D7/309
D546,112 S	7/2007	Rorke et al.	
D550,499 S	9/2007	Argabrite et al.	

D571,598 S *	6/2008	Moore	D7/306
D586,171 S	2/2009	Picozza et al.	
D620,301 S	7/2010	Picozza et al.	
D620,302 S	7/2010	Picozza et al.	
D628,007 S *	11/2010	Di Bitonto et al.	D7/310
D673,804 S *	1/2013	De'Longhi	D7/309
D677,510 S	3/2013	Tetreault	
D719,776 S *	12/2014	Kunz	D7/309

* cited by examiner

Primary Examiner — Marianne Pandozzi

(74) *Attorney, Agent, or Firm* — Loeb & Loeb LLP

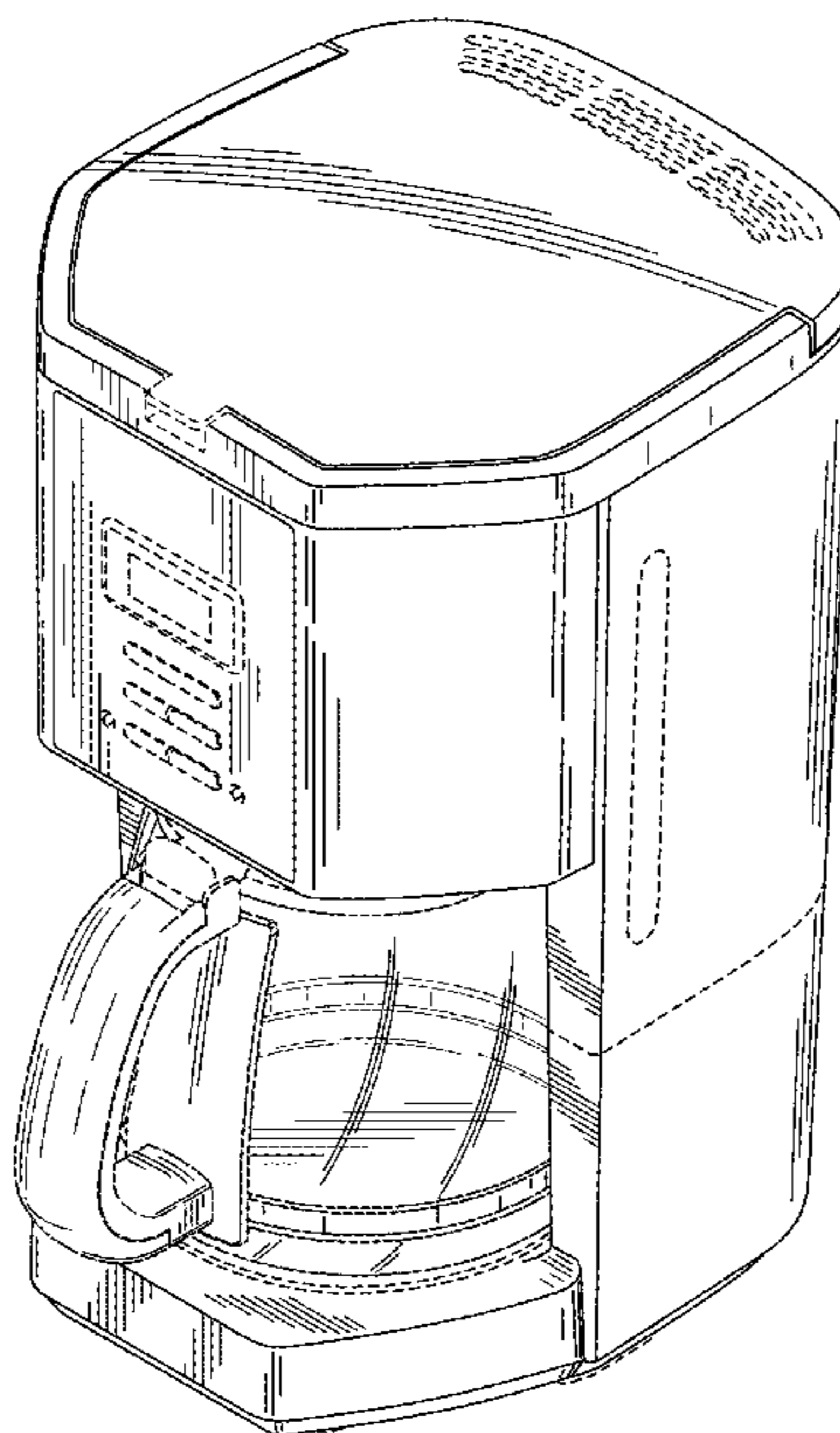
(57) **CLAIM**

The ornamental design for an electric coffee maker, as shown and described.

DESCRIPTION

FIG. 1 is a perspective view of an electric coffee maker showing my new design;
 FIG. 2 is a front elevational view of the electric coffee maker of FIG. 1.
 FIG. 3 is a rear elevational view of the electric coffee maker of FIG. 1.
 FIG. 4 is a left side elevational view of the electric coffee maker of FIG. 1.
 FIG. 5 is a right side elevational view of the electric coffee maker of FIG. 1.
 FIG. 6 is a top plan view of the electric coffee maker of FIG. 1; and,
 FIG. 7 is a bottom plan view of the electric coffee maker of FIG. 1.
 The broken lines in the drawings are included for the purpose of illustration and form no part of the claimed design.

1 Claim, 7 Drawing Sheets



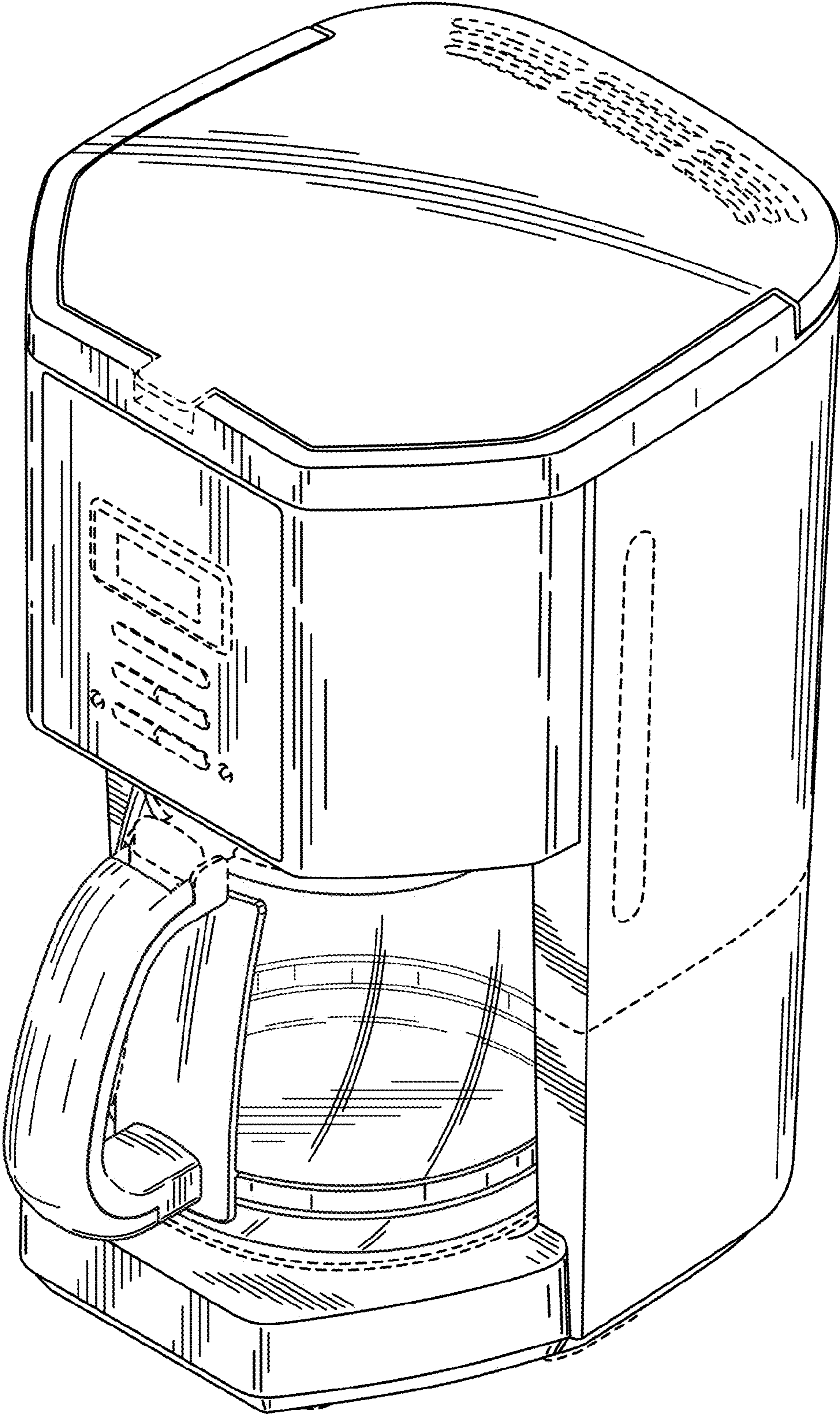


Fig. 1

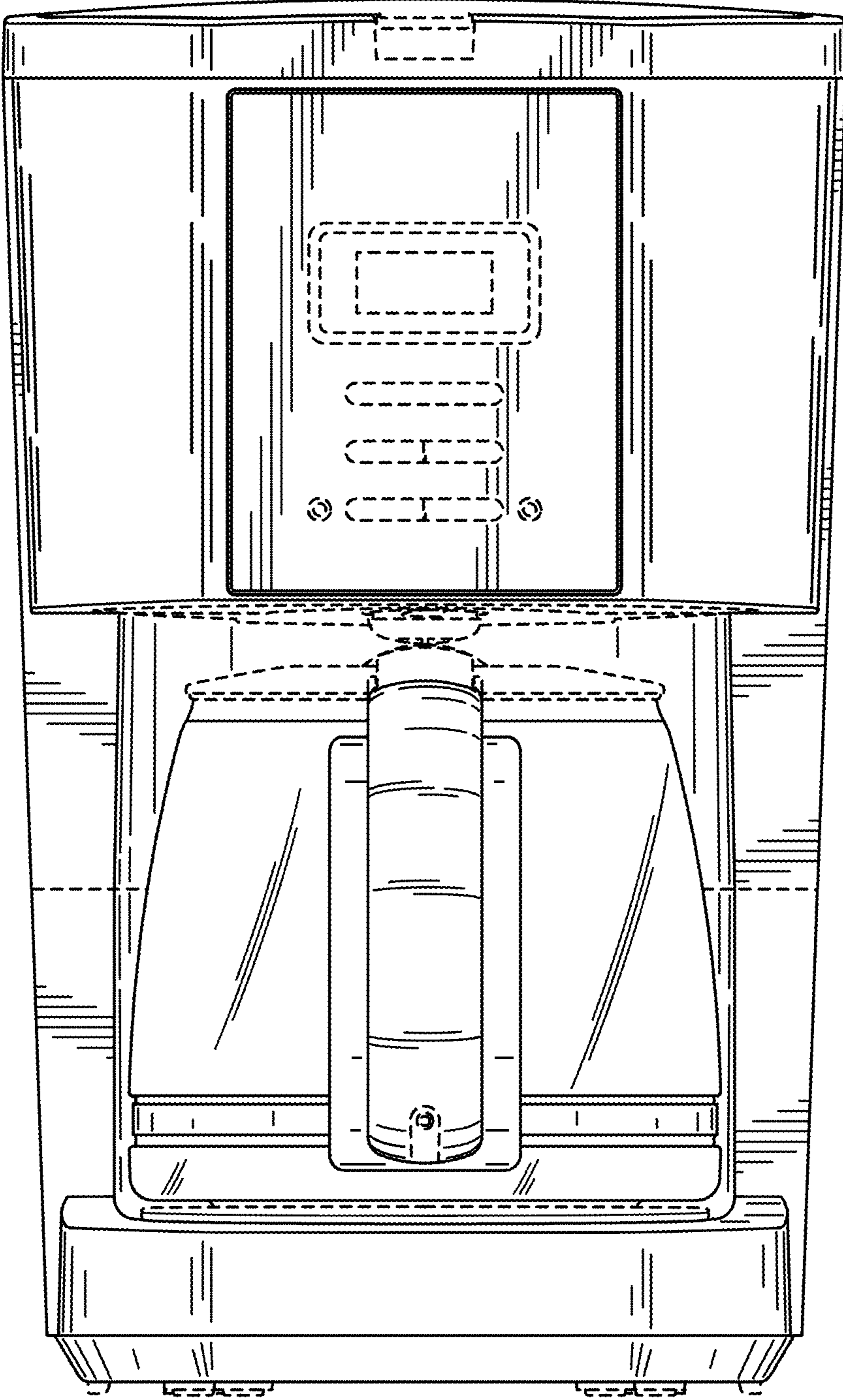


Fig. 2

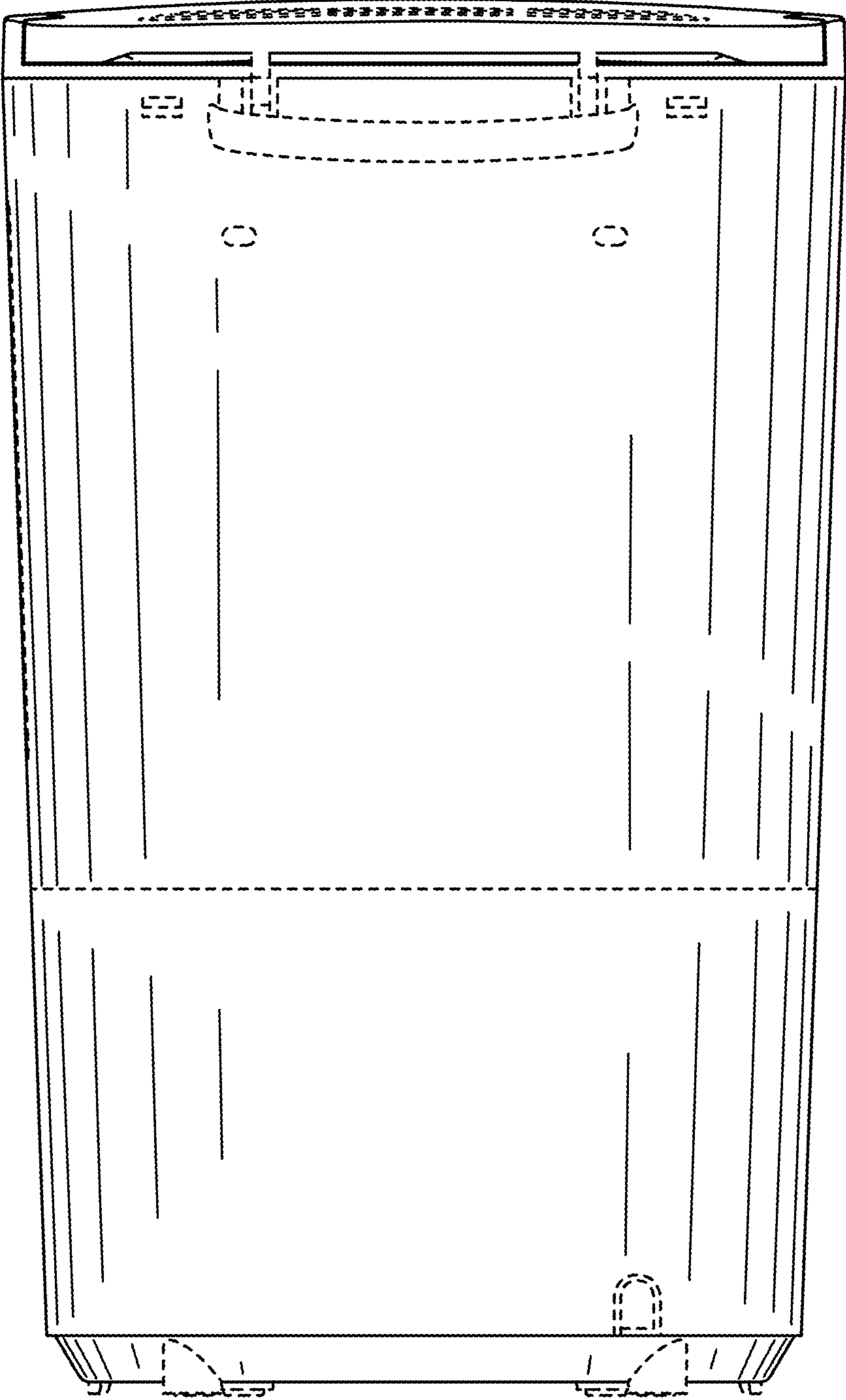


Fig. 3

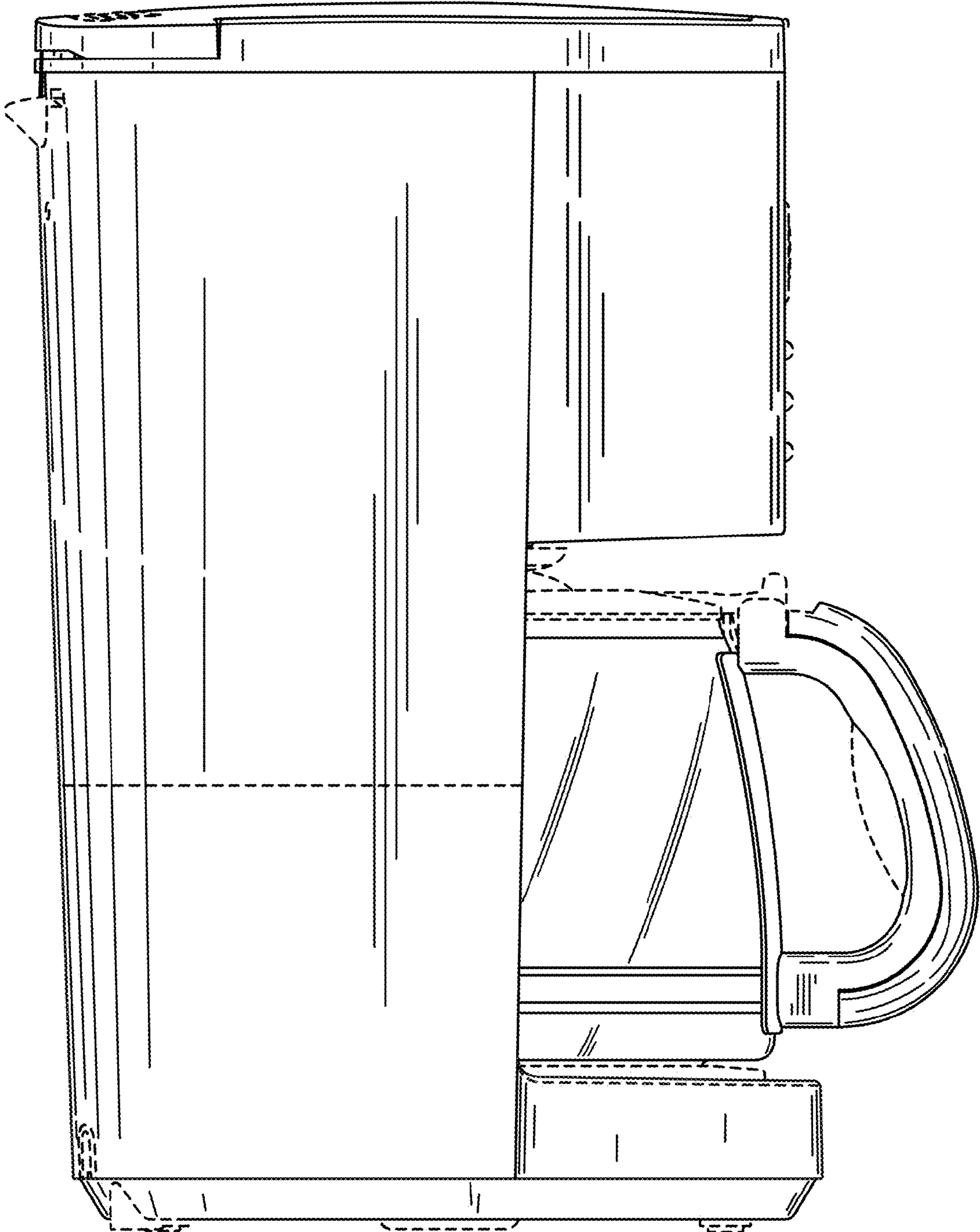


Fig. 4

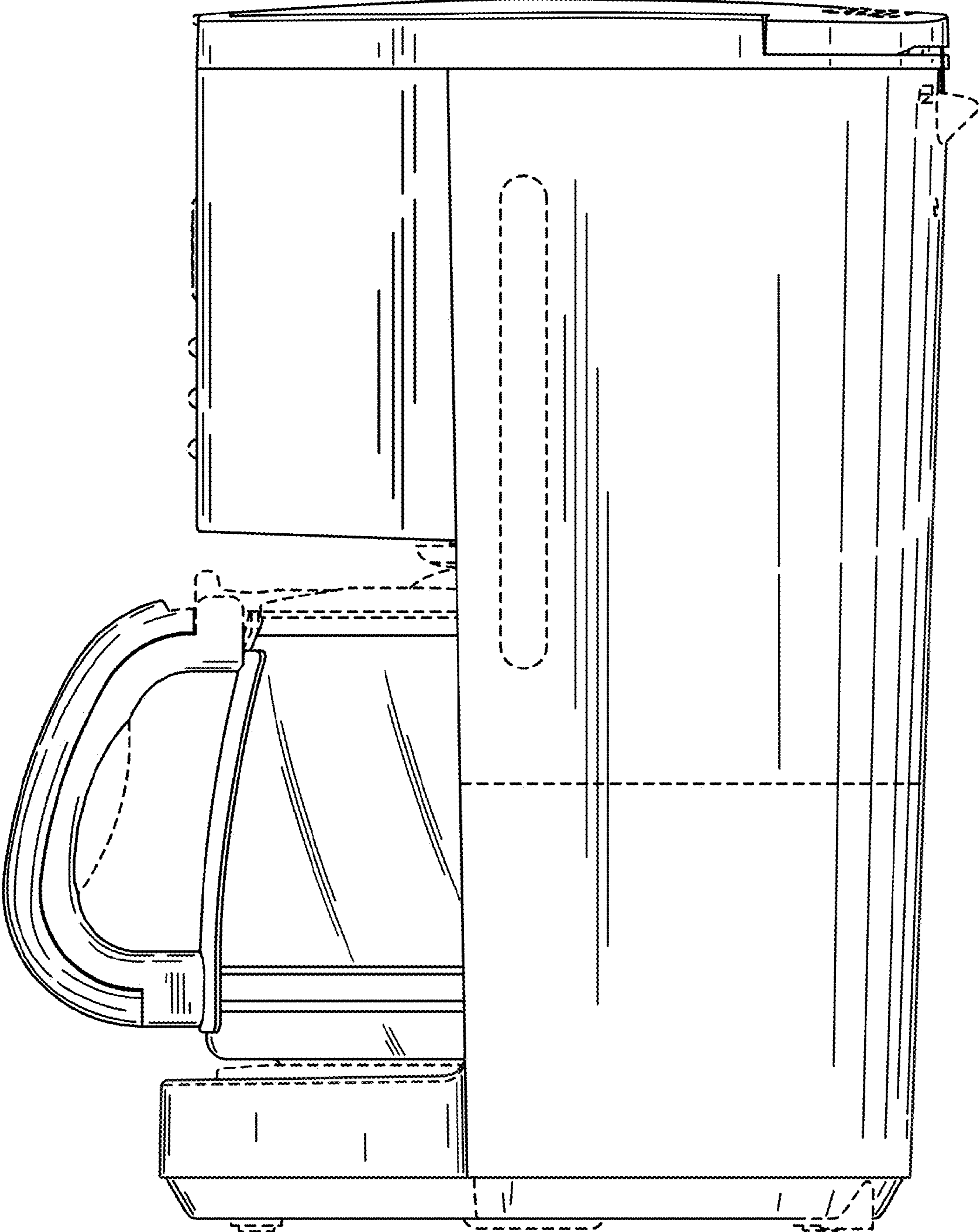


Fig. 5

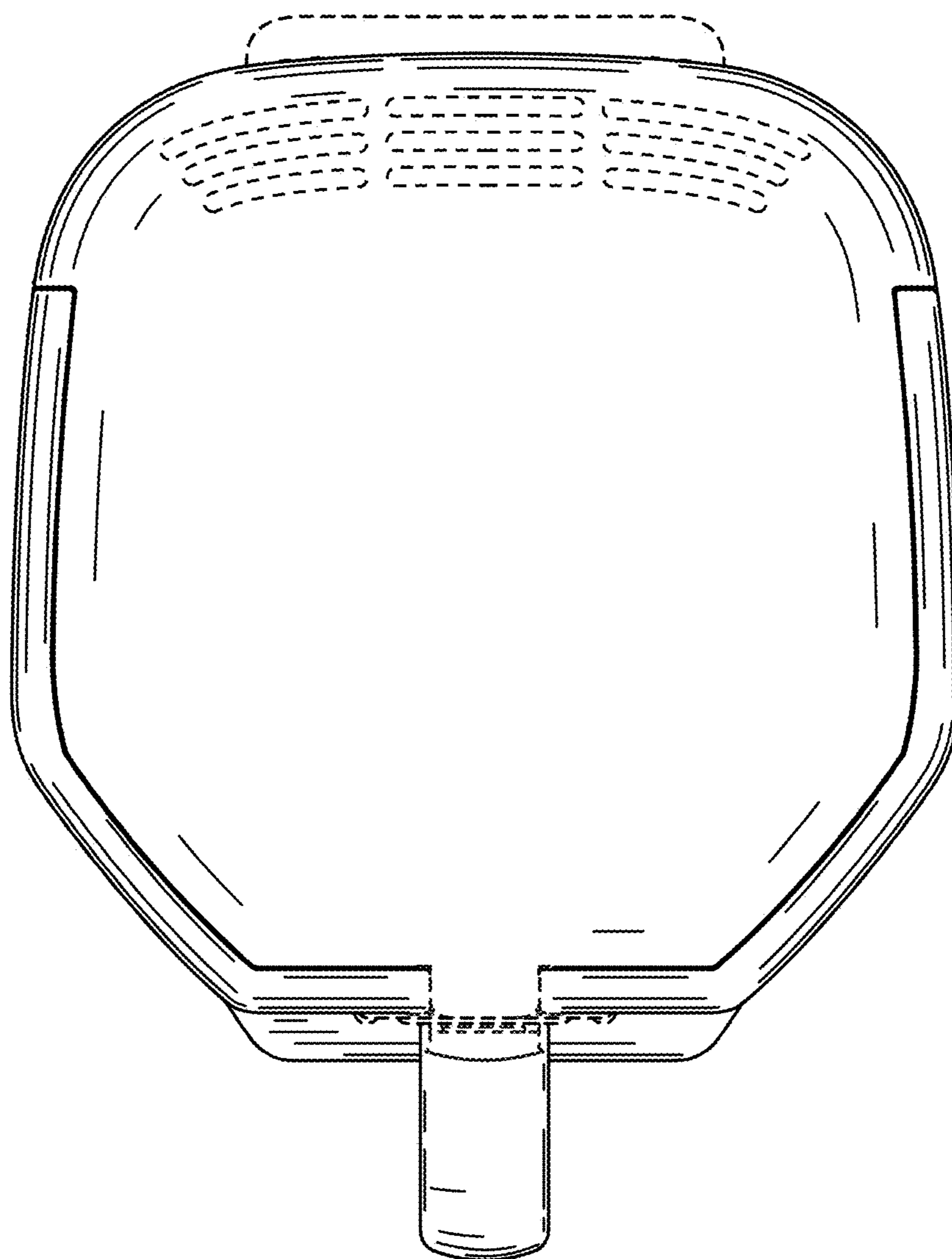


Fig. 6

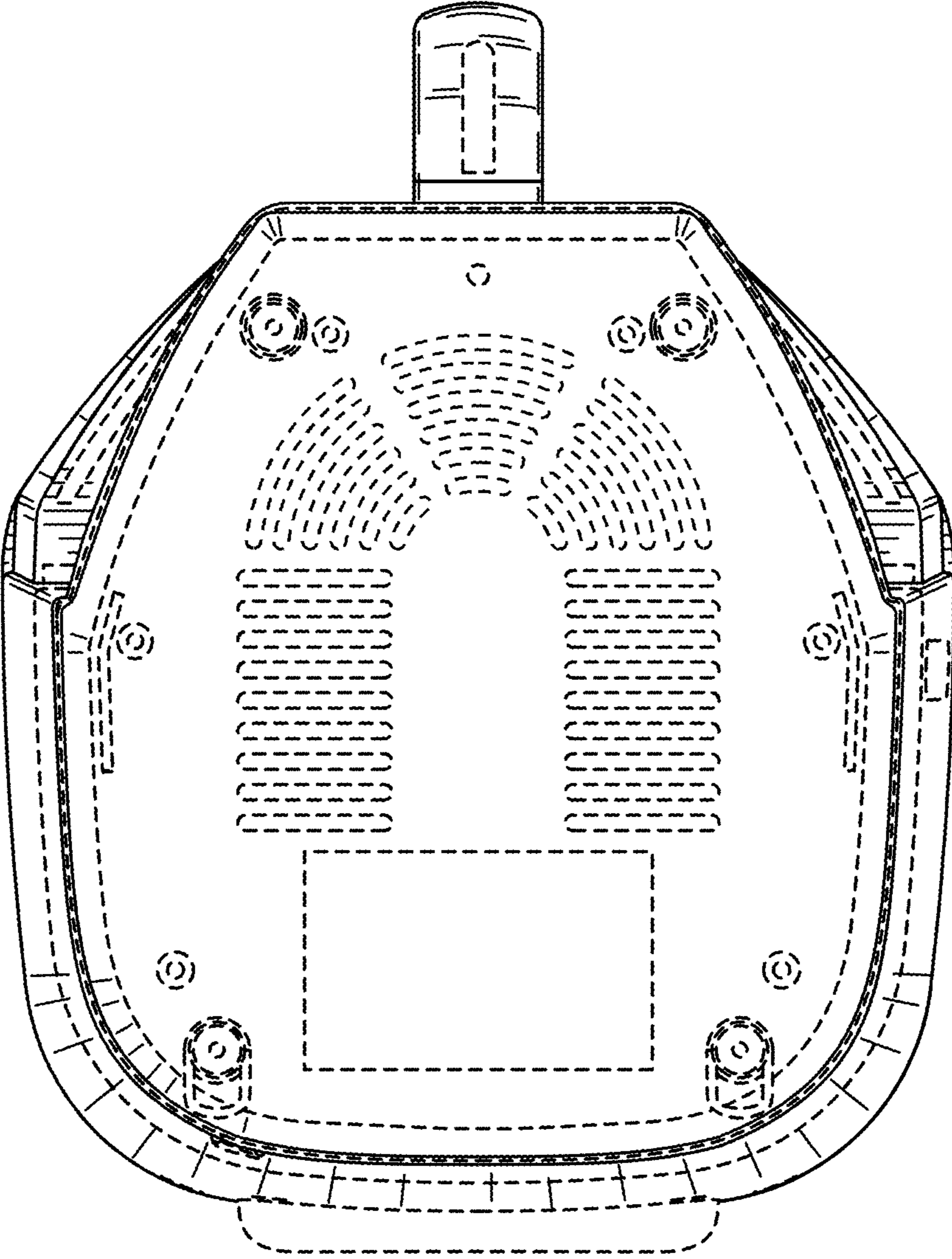


Fig. 7