



US00D732325S

(12) **United States Design Patent**
Luo

(10) **Patent No.:** **US D732,325 S**
(45) **Date of Patent:** **** Jun. 23, 2015**

(54) **GARMENT LOCKER**

(71) Applicant: **Digilock Asia Ltd.**, Kowloon (HK)

(72) Inventor: **Liu Luo**, ShenZhen (CN)

(73) Assignee: **Digilock Asia Ltd.**, Kowloon (HK)

(**) Term: **14 Years**

(21) Appl. No.: **29/488,063**

(22) Filed: **Apr. 15, 2014**

(51) **LOC (10) Cl.** **06-06**

(52) **U.S. Cl.**
USPC **D6/703**

(58) **Field of Classification Search**

USPC D3/255; D6/559, 661, 663, 664, 668,
D6/668.1, 668.2, 671, 671.1-671.4, 703;
211/134; 312/114, 138.1, 199, 204,
312/213, 312, 220, 224, 257.1, 330.1
CPC A47B 57/10; A47B 96/00; A47B 47/03;
A47B 47/042; A47B 53/00; A47B 53/02;
A47B 61/00; A47B 61/003; A47B 61/02;
A47B 67/00; A47B 67/02; A47B 67/04;
A47B 67/005; A47B 88/22; A47F 3/00;
A47F 3/0404; A47F 3/043; A47F 3/0434;
A47F 3/005; E05B 65/025; E05B 65/0003

See application file for complete search history.

(56) **References Cited**

U.S. PATENT DOCUMENTS

D262,844 S * 2/1982 Richardson D6/432
5,310,254 A * 5/1994 Dallaire 312/213

(Continued)

Primary Examiner — Ricky Pham

(74) *Attorney, Agent, or Firm* — Thomas M. Freiburger

(57) **CLAIM**

The ornamental design for a garment locker, substantially as shown and described.

DESCRIPTION

FIG. 1 is a perspective view of a first embodiment of a garment locker according to my new design, with the two locker

doors shown closed and with portions of the locker shown in dashed lines not forming a part of my design;

FIG. 2 is a right frontal elevation view thereof, showing the two locker doors in opened position, and with portions of the locker shown in dashed lines not forming a part of my design; FIG. 3 is a front elevation view thereof, with the locker doors closed; and

FIG. 4 is a front elevation view thereof, with the locker doors shown open.

FIG. 5 is a perspective view of a second embodiment of a garment locker according to my new design, with the two locker doors shown closed and with portions of the locker shown in dashed lines not forming a part of my design;

FIG. 6 is a right frontal elevation view thereof, showing the two locker doors in opened position, and with portions of the locker shown in dashed lines not forming a part of my design; FIG. 7 is a front elevation view thereof, with the locker doors closed; and

FIG. 8 is a front elevation view thereof, with the locker doors shown open;

FIG. 9 is a perspective view of a third embodiment of a garment locker according to my new design, with the two locker doors shown closed and with portions of the locker shown in dashed lines not forming a part of my design;

FIG. 10 is a right frontal elevation view thereof, showing the two locker doors in opened position, and with portions of the locker shown in dashed lines not forming a part of my design; FIG. 11 is a front elevation view thereof, with the locker doors closed; and

FIG. 12 is a front elevation view thereof, with the locker doors shown open;

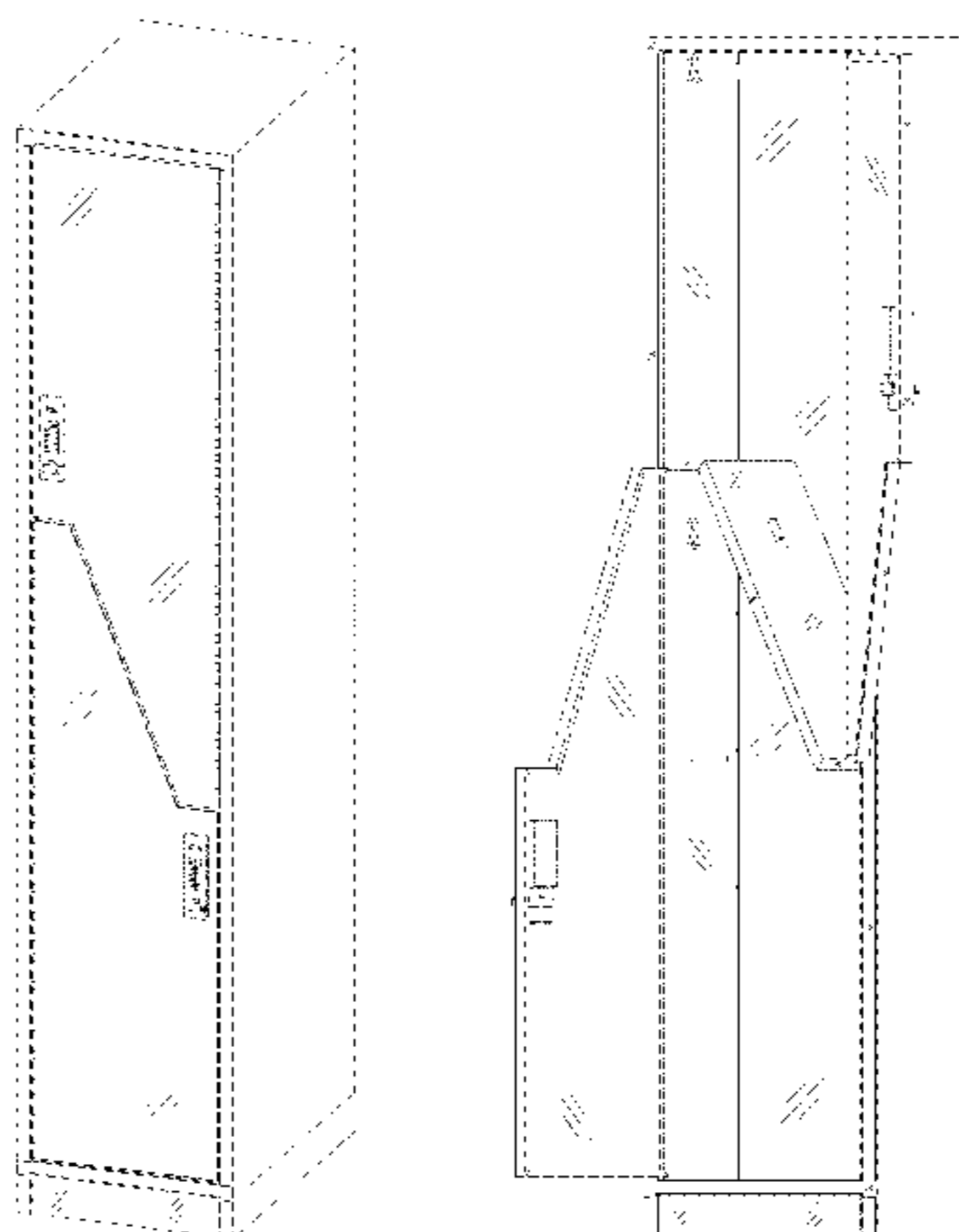
FIG. 13 is a perspective view of a fourth embodiment of a garment locker according to my new design, with the two locker doors shown closed and with portions of the locker shown in dashed lines not forming a part of my design;

FIG. 14 is a right frontal elevation view thereof, showing the two locker doors in opened position, and with portions of the locker shown in dashed lines not forming a part of my design; FIG. 15 is a front elevation view thereof, with the locker doors closed; and,

FIG. 16 is a front elevation view thereof, with the locker doors shown open.

The exterior sides, rear, top and bottom of the garment locker, shown in broken lines, do not form a part of my design.

1 Claim, 8 Drawing Sheets



(56)

References Cited

U.S. PATENT DOCUMENTS

D359,402 S * 6/1995 Tisbo et al. D6/434
6,685,285 B1 * 2/2004 Fromme et al. 312/220
D492,508 S * 7/2004 Anderson et al. D6/448
6,793,299 B2 * 9/2004 Newberry et al. 312/199

D509,081 S * 9/2005 Anderson et al. D6/432
7,780,018 B1 * 8/2010 Sauder et al. 211/134
D672,574 S * 12/2012 Wilson, Jr. D6/663
D710,636 S * 8/2014 Lim D6/703
D711,673 S * 8/2014 Lim D6/703
D718,933 S * 12/2014 Brown, Jr. D3/255
D721,524 S * 1/2015 Theisen et al. D6/671

* cited by examiner

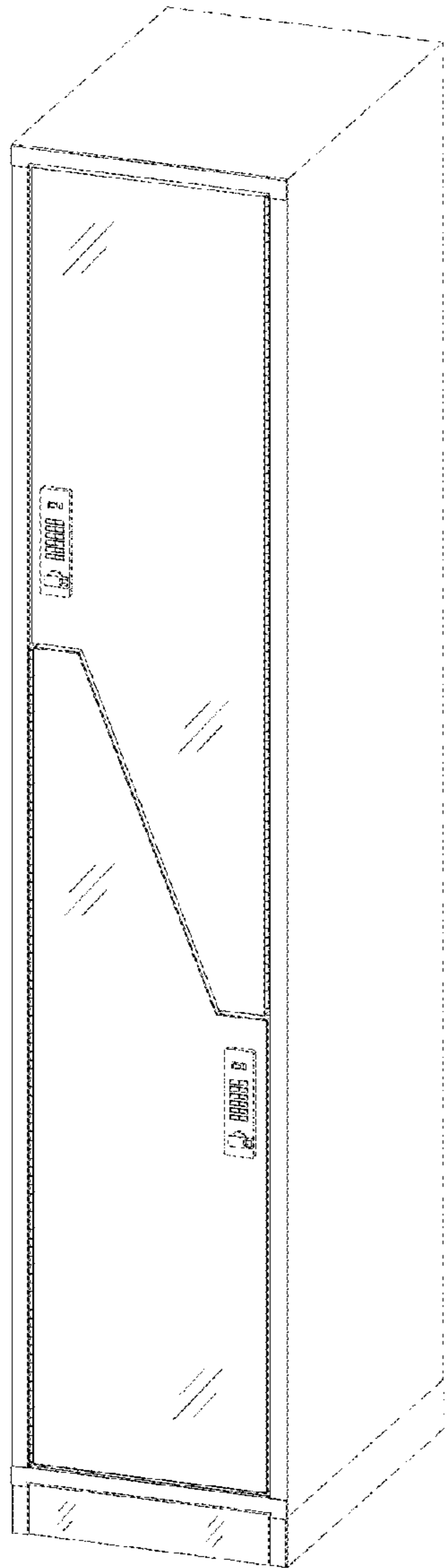


FIG 1

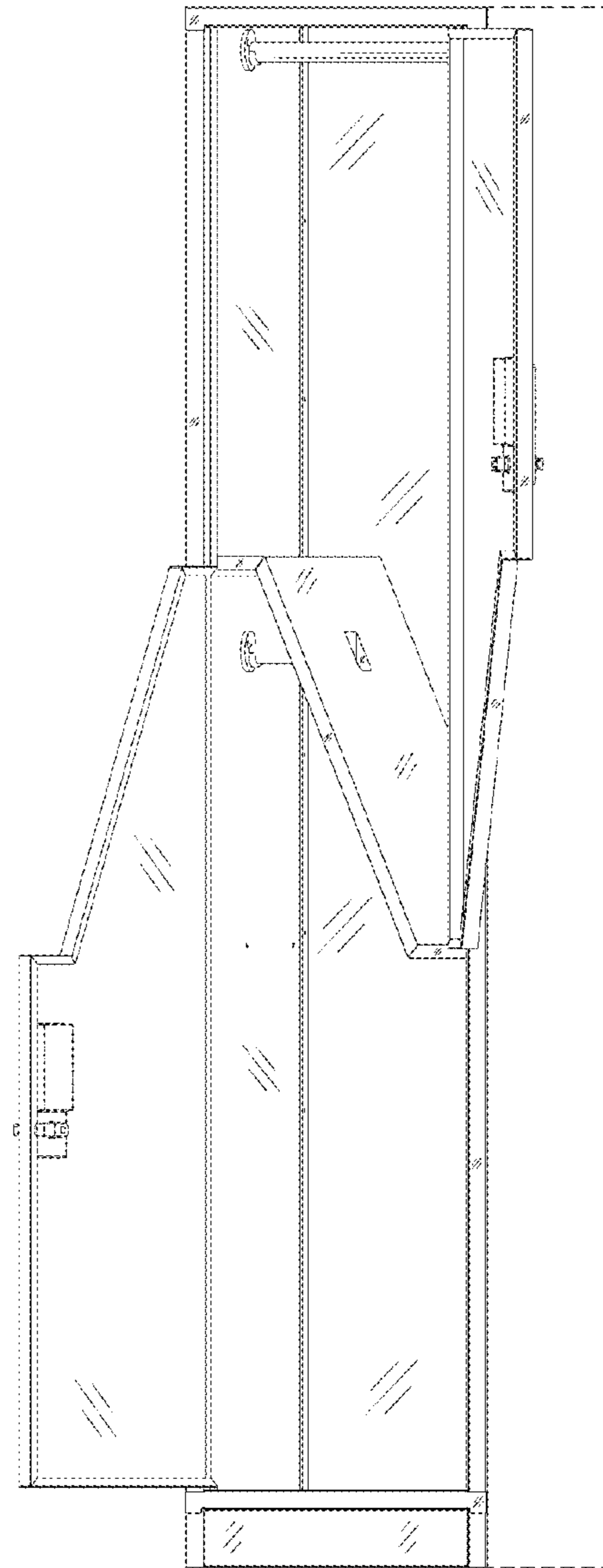


FIG 2

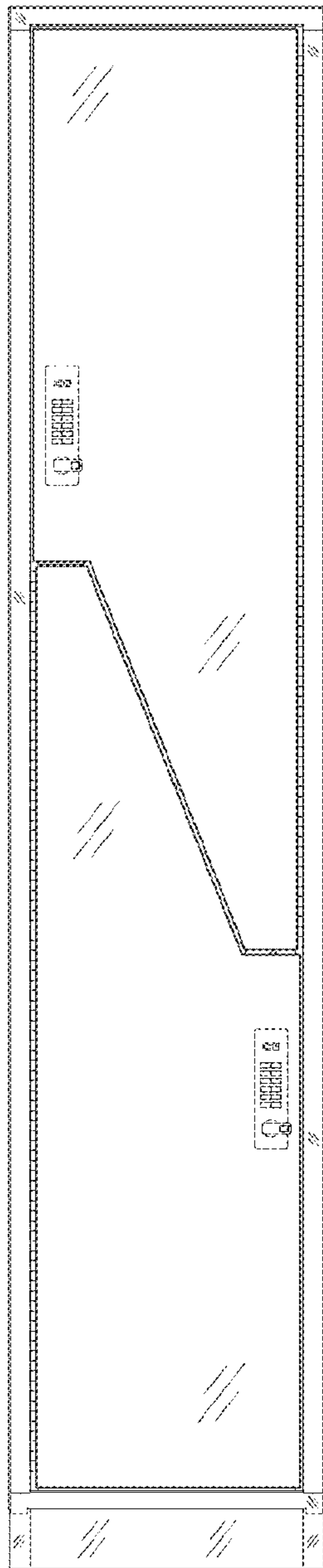


FIG 3

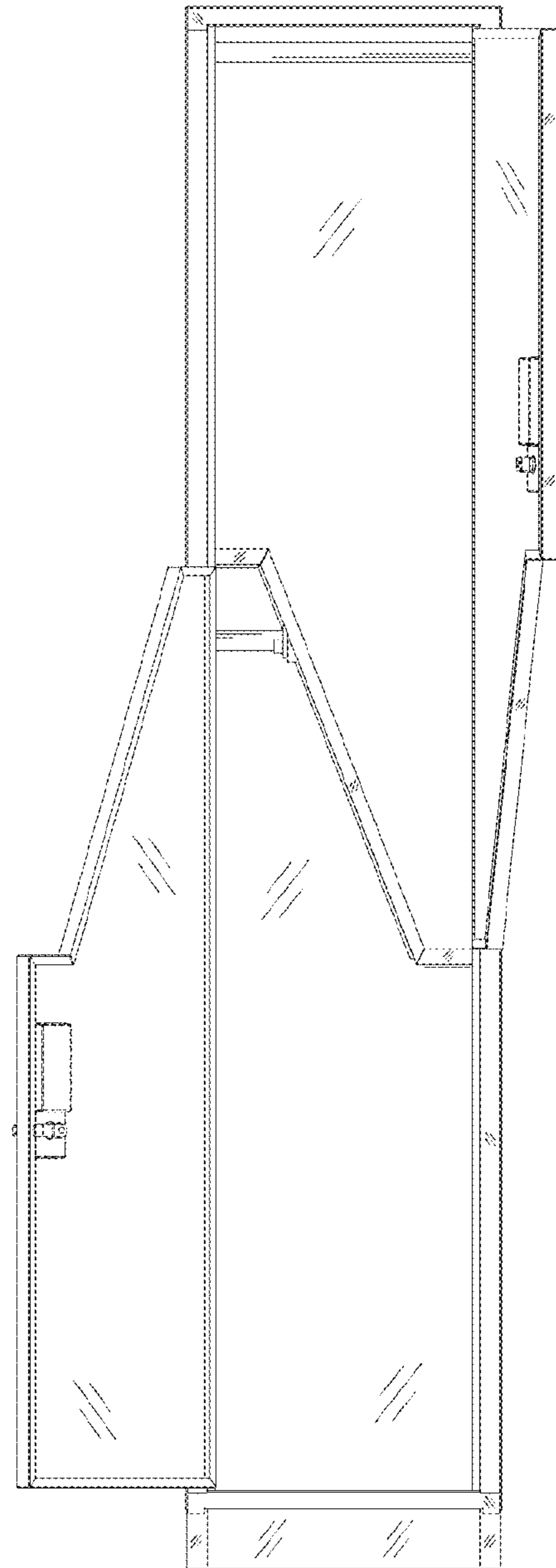


FIG 4

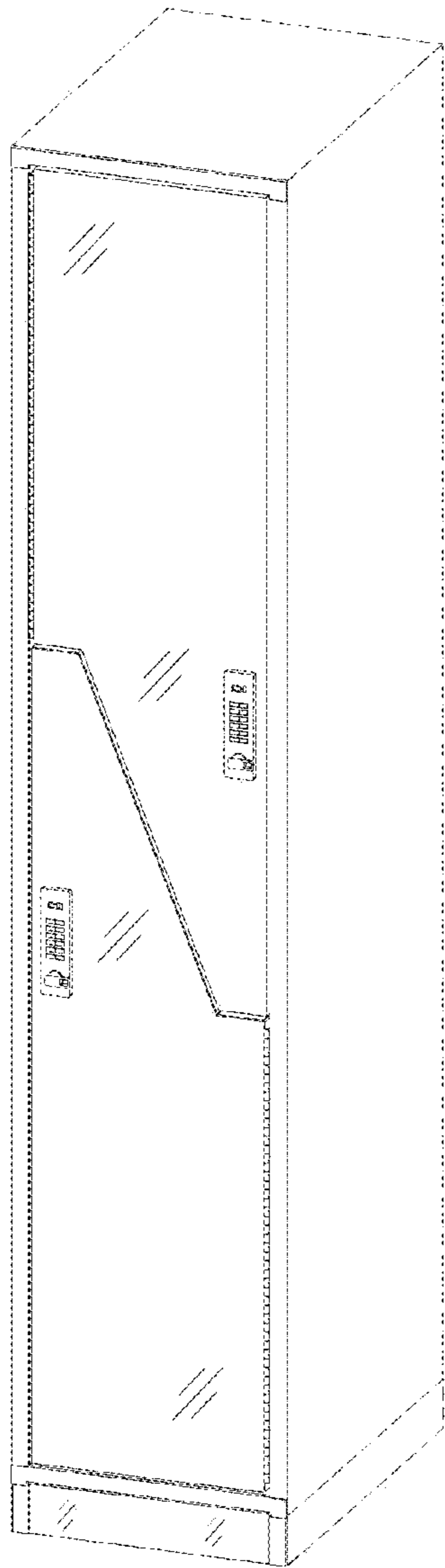


FIG 5

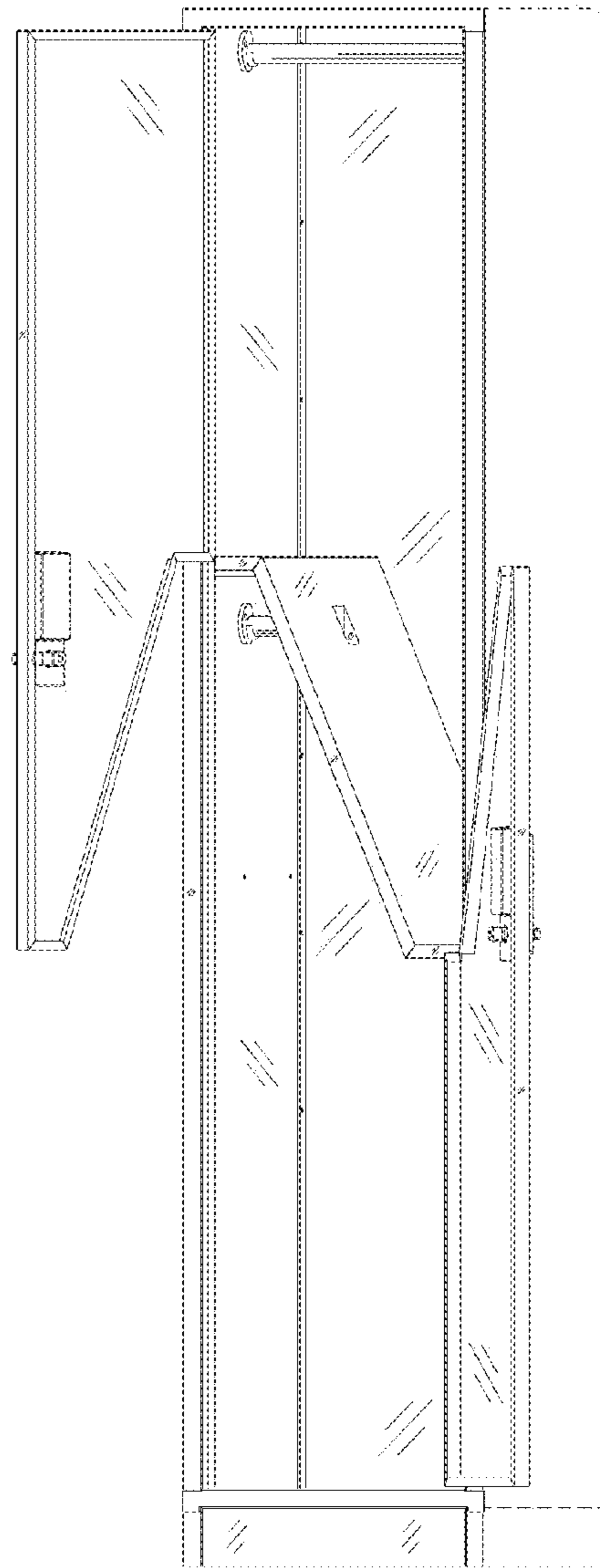


FIG 6

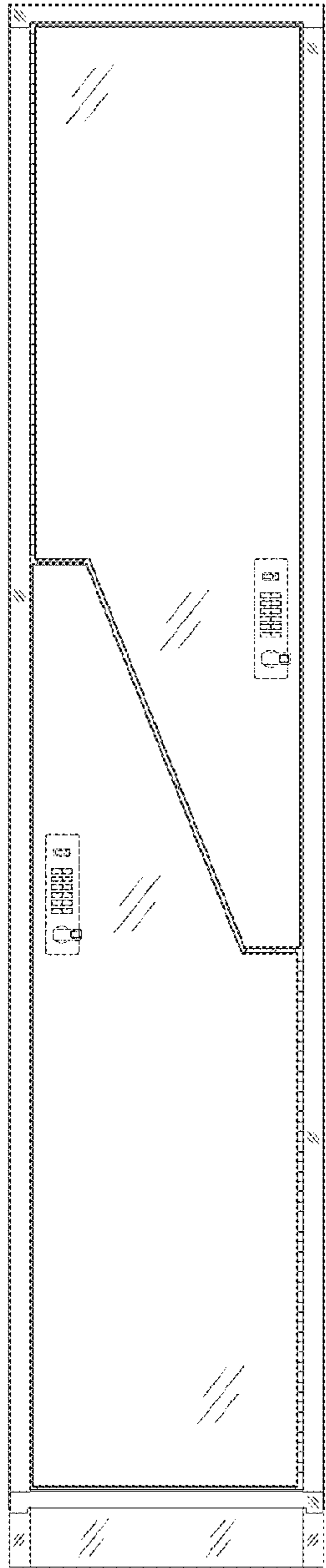


FIG 7

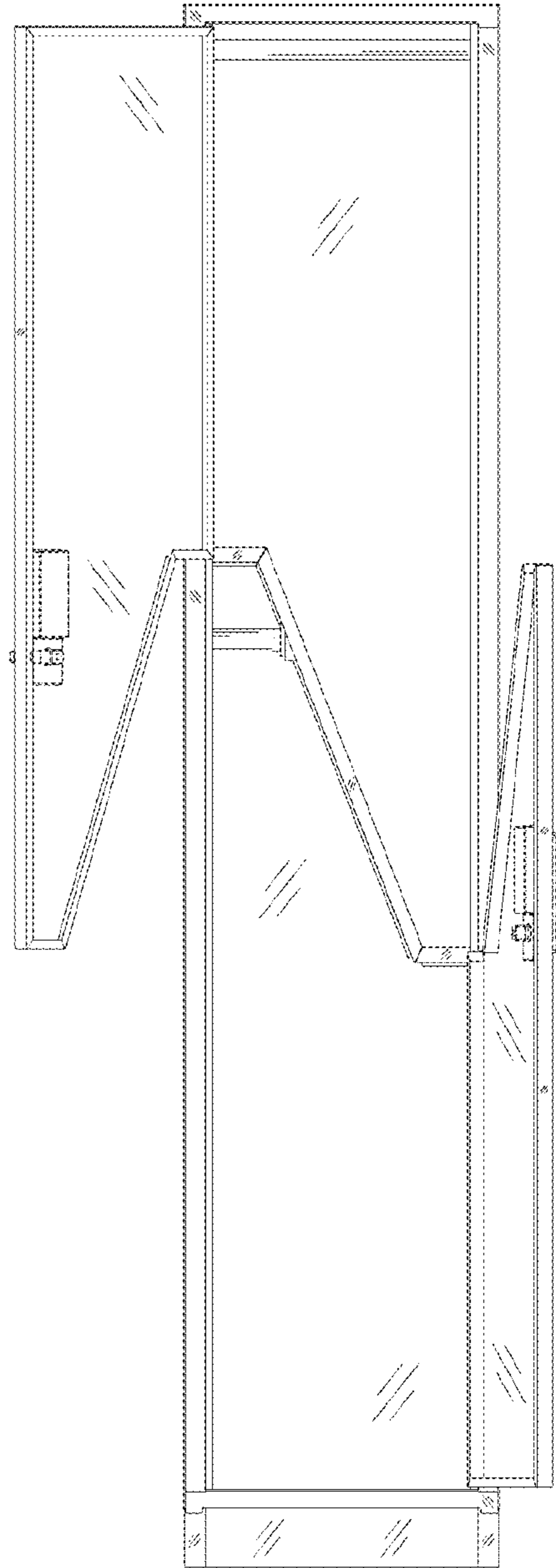


FIG 8

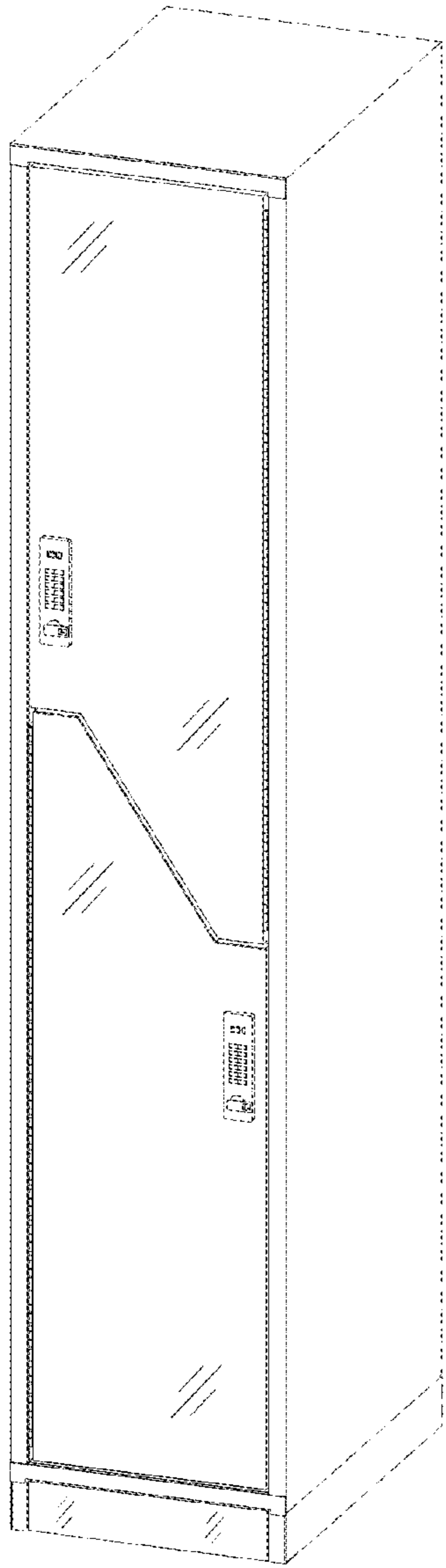


FIG 9

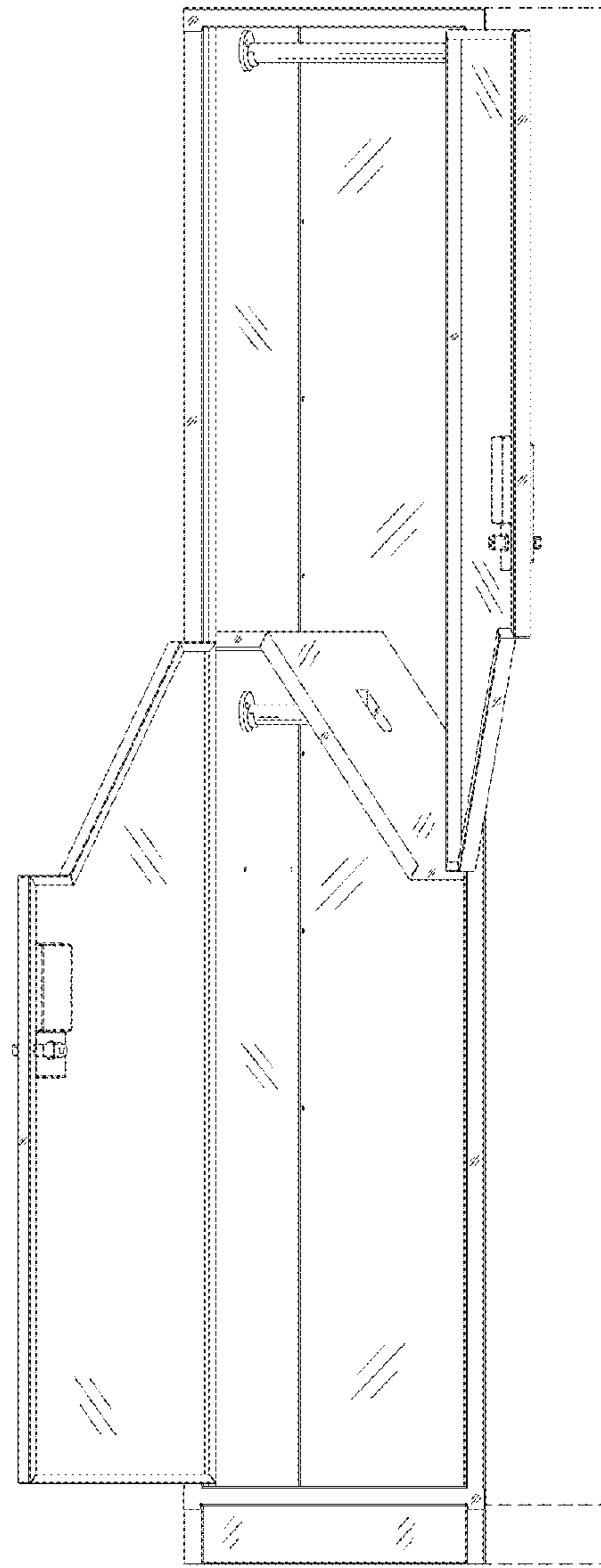


FIG 10

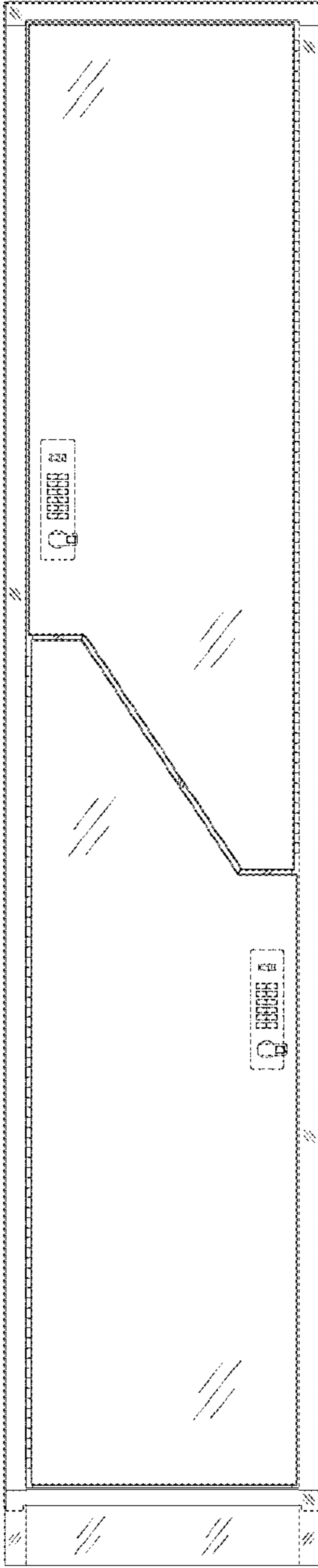


FIG 11

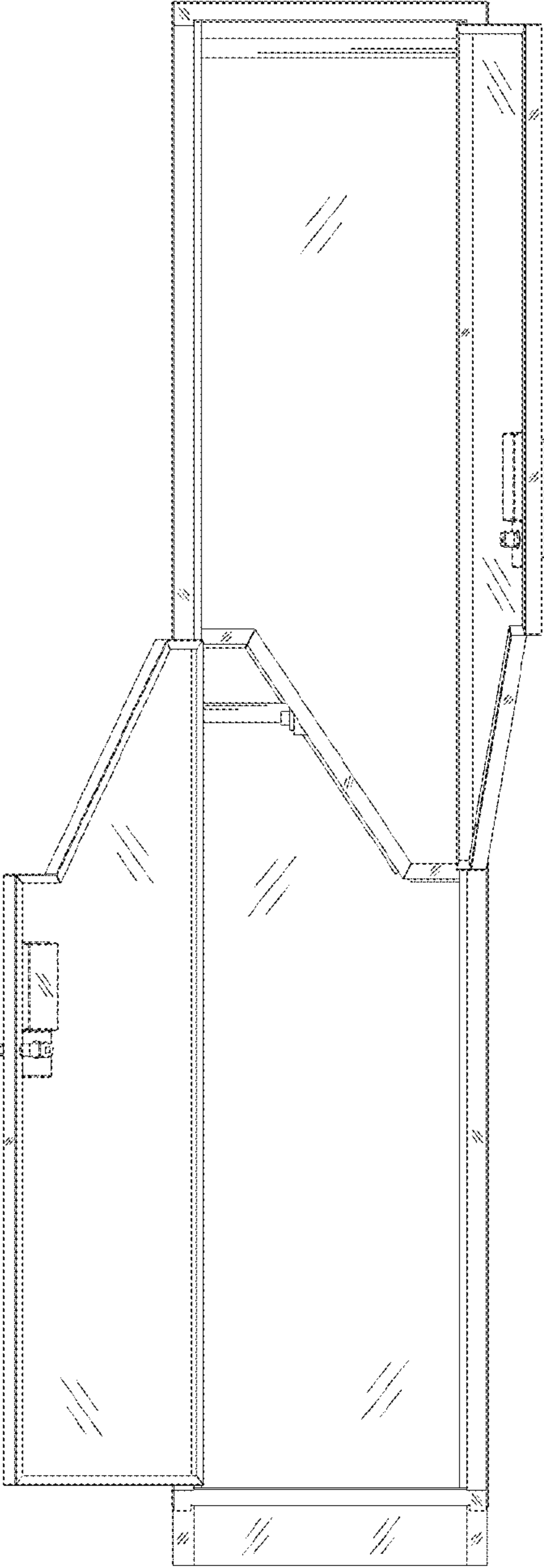


FIG 12

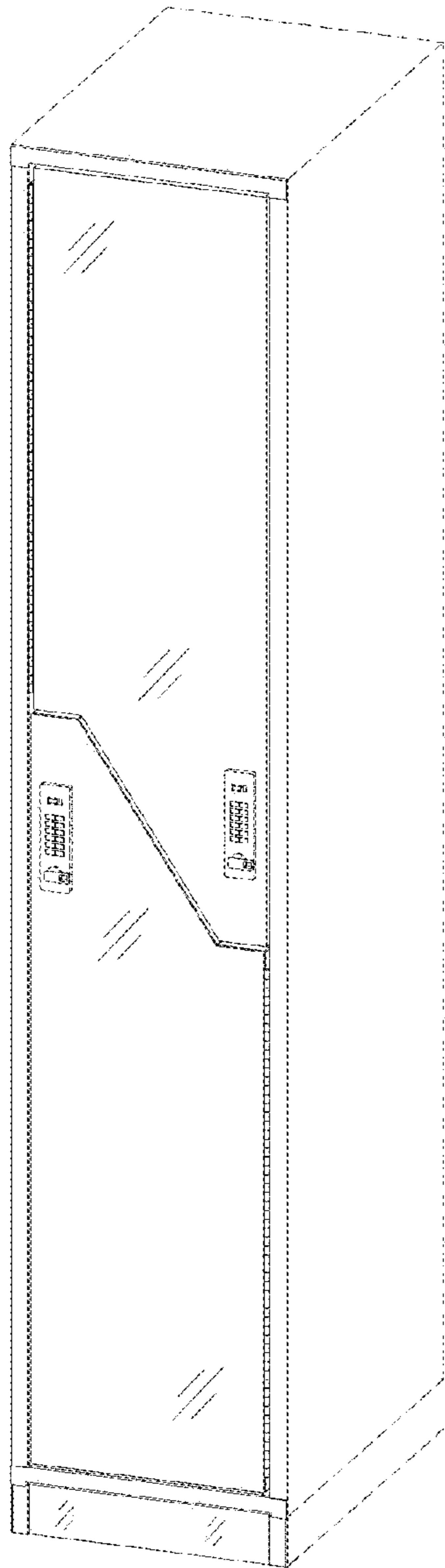


FIG 13

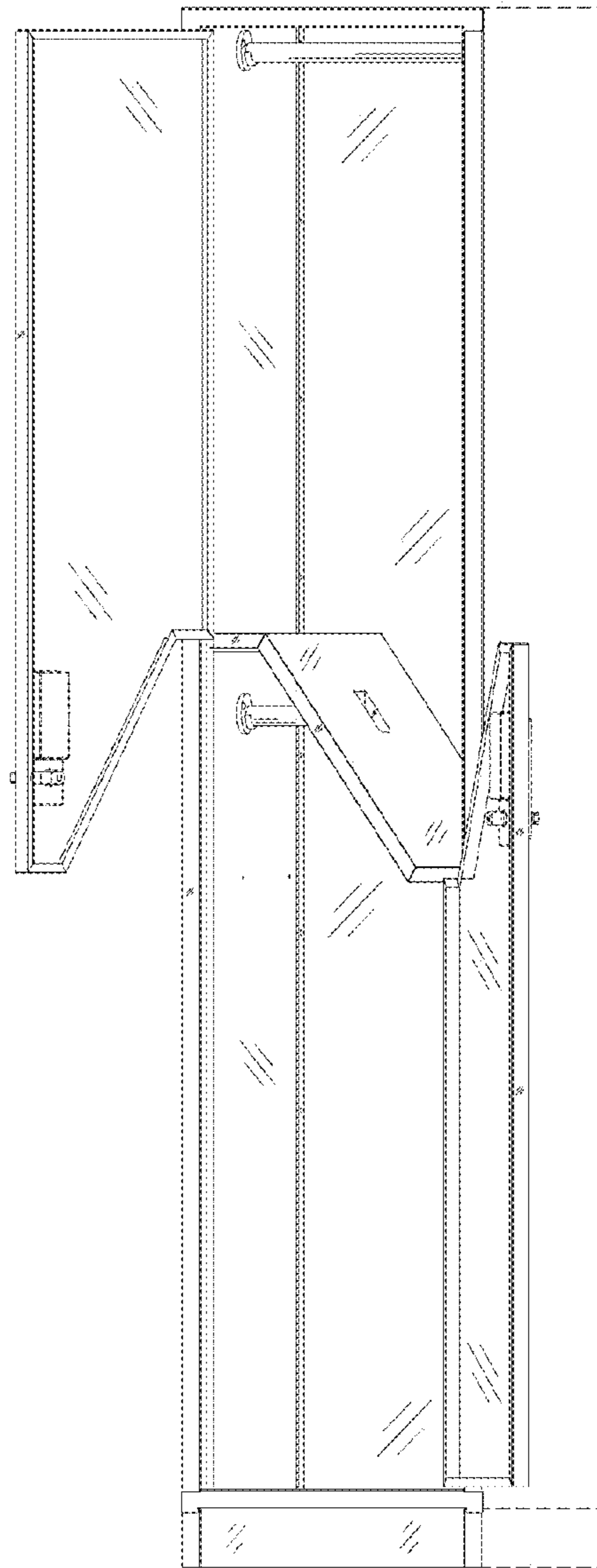


FIG 14

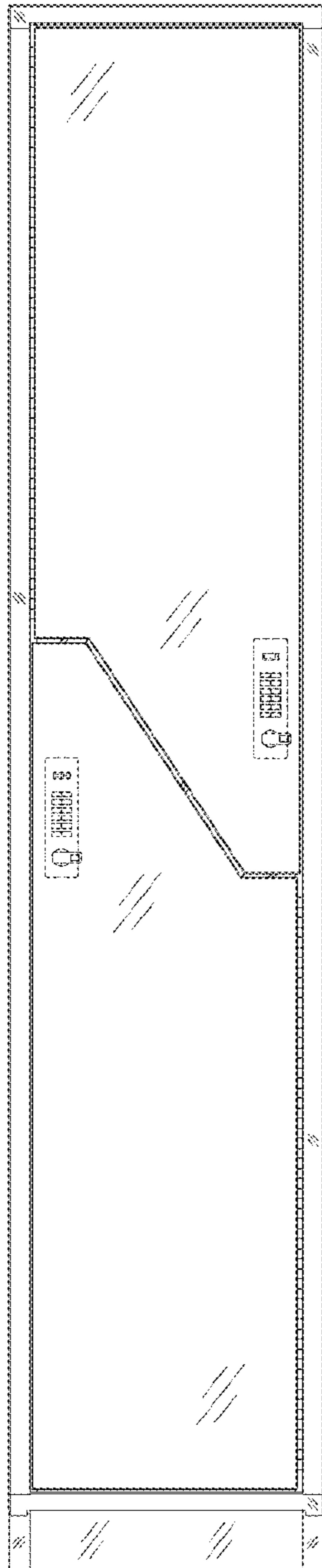


FIG 15

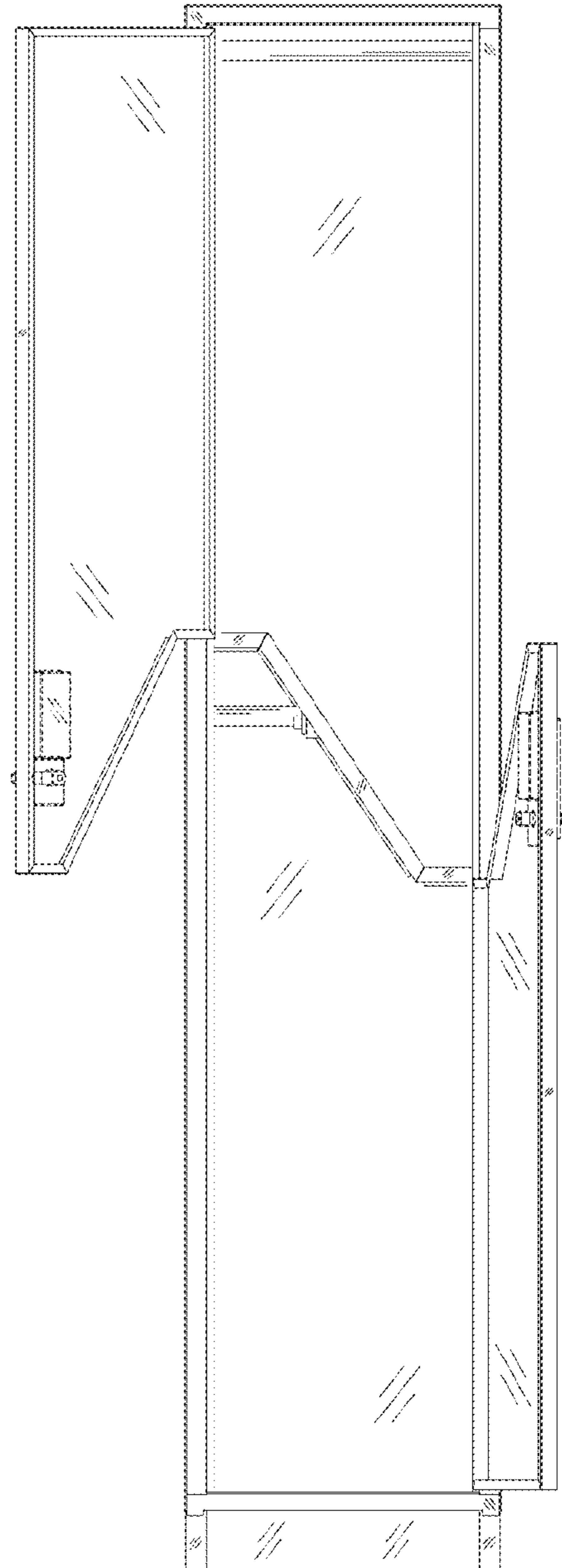


FIG 16