

US00D732323S

(12) **United States Design Patent**
Ho et al.

(10) **Patent No.:** **US D732,323 S**
(45) **Date of Patent:** **** Jun. 23, 2015**

- (54) **MODULAR UTILITY RACK**
- (71) Applicant: **SEVILLE CLASSICS, INC.**, Torrance, CA (US)
- (72) Inventors: **Edwin Ho**, Irvine, CA (US); **Li-Han Hsu**, Torrance, CA (US)
- (73) Assignee: **Seville Classics, Inc.**, Torrance, CA (US)
- (**) Term: **14 Years**
- (21) Appl. No.: **29/450,679**
- (22) Filed: **Mar. 20, 2013**
- (51) **LOC (10) Cl.** **06-06**
- (52) **U.S. Cl.**
USPC **D6/675**
- (58) **Field of Classification Search**
USPC D6/409-415, 449, 455-458, 461-468,
D6/474, 476-479, 675, 675.1; 211/31.1,
211/85.26, 85.31, 85.4, 33, 134, 186-191,
211/194, 181.1
CPC A47B 55/00; A47B 57/00
See application file for complete search history.

- 3,113,400 A 12/1963 Emond
- 3,146,734 A 9/1964 Sol Kesilman et al.
- 3,252,434 A 5/1966 Young, Jr.
- 3,266,635 A 8/1966 McConnell
- 3,285,428 A 11/1966 Scheck
- 3,349,924 A 10/1967 Maurer
- 3,463,325 A 8/1969 Rogers et al.
- D215,773 S 10/1969 Maslow
- 3,559,339 A 2/1971 Worley
- 3,722,431 A 3/1973 Howard
- 3,840,243 A 10/1974 Reinhart et al.
- 3,977,689 A 8/1976 Rosa
- 4,078,664 A 3/1978 McConnell
- D247,838 S 5/1978 Jones et al.
- 4,257,333 A 3/1981 Pollack
- 4,285,163 A 8/1981 Booker, Jr.
- 4,295,754 A 10/1981 Ashton et al.
- 4,297,795 A 11/1981 Licari

(Continued)

Primary Examiner — Kelley Donnelly

(74) *Attorney, Agent, or Firm* — Raymond Sun

(57) **CLAIM**

The ornamental design for a modular utility rack, as shown and described.

DESCRIPTION

FIG. 1 is a perspective view of a modular utility rack showing our new design;

FIG. 2 is a front plan view thereof;

FIG. 3 is a left plan view thereof;

FIG. 4 is a right plan view thereof;

FIG. 5 is a top plan view thereof;

FIG. 6 is a bottom plan view thereof; and,

FIG. 7 is a rear plan view thereof.

The broken lines showing are for the purposes of illustrating the environment of the article only and form no part of the claimed design.

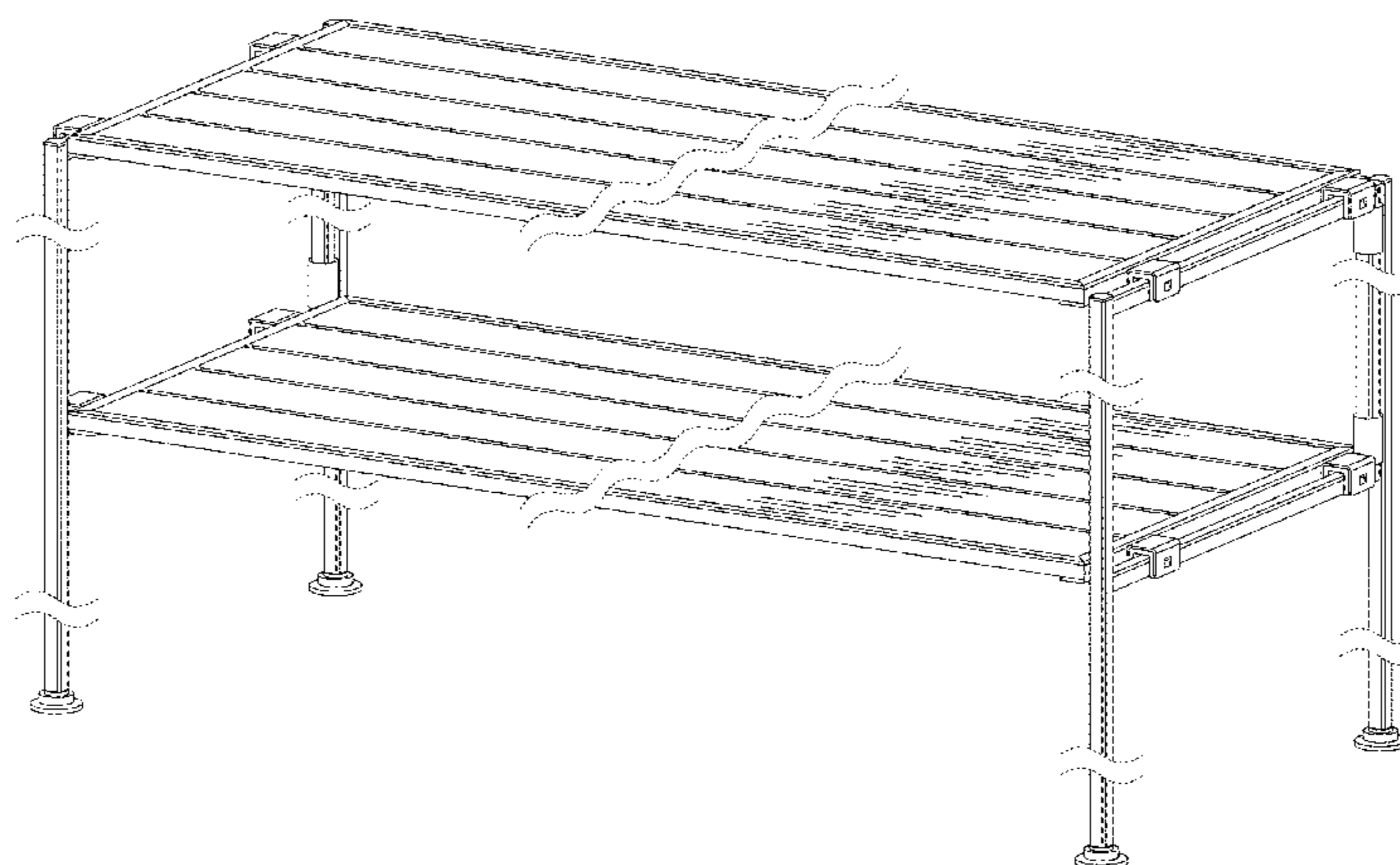
The wavy broken lines represent that no particular length is claimed.

1 Claim, 7 Drawing Sheets

(56) **References Cited**

U.S. PATENT DOCUMENTS

- 222,542 A 12/1879 Steams
- 253,461 A 2/1882 Wold
- 638,417 A 12/1899 Miller
- 921,694 A 5/1909 Hall
- 1,573,844 A 2/1926 Marvin
- 1,578,248 A 3/1926 Ackerman
- 2,305,629 A 12/1942 Magnuson
- 2,516,088 A 7/1950 Einhorn
- 2,680,522 A 6/1954 Temple
- 2,714,540 A 8/1955 Diehm
- 2,913,128 A 11/1959 Milner
- 2,958,424 A 11/1960 Bigatti
- 3,042,221 A 7/1962 Rasmussen
- 3,083,836 A 4/1963 Bussemer



(56)

References Cited

U.S. PATENT DOCUMENTS

4,343,245	A	8/1982	Edwards	D446,409	S	8/2001	Walters-Dowding et al.
D273,643	S	5/1984	Sanker et al.	6,283,314	B1	9/2001	Loguercio
D278,196	S	4/1985	Koves	6,302,284	B1	10/2001	Zonshin
4,635,563	A	1/1987	Nicely	6,305,764	B1	10/2001	Kortman et al.
4,637,323	A	1/1987	Nicely	D450,481	S	11/2001	Post
D291,165	S	8/1987	Ray	D452,394	S	12/2001	Walters-Dowding et al.
D292,658	S	11/1987	Kester	6,394,292	B1	5/2002	Sabounjian
D292,764	S	11/1987	Kester	D459,932	S	7/2002	Ellwanger
4,725,066	A	2/1988	Nootenboom et al.	6,422,406	B1	7/2002	Kessel et al.
4,774,792	A	10/1988	Balance	6,427,858	B2	8/2002	Sabounjian
4,828,123	A	5/1989	Basore	6,443,410	B1	9/2002	Lee
D301,413	S	6/1989	Rosen	D470,451	S	2/2003	Bushart et al.
4,852,501	A	8/1989	Olson et al.	D471,033	S	3/2003	Yamaguchi
4,895,382	A	1/1990	Anderson	D471,381	S	3/2003	Yamaguchi
D308,776	S	6/1990	Yau Kee	D473,359	S	4/2003	Joseph
4,955,490	A	9/1990	Schafer	D474,870	S	5/2003	Post et al.
4,964,350	A	10/1990	Kolvites et al.	6,561,107	B1	5/2003	Wood et al.
4,978,013	A	12/1990	Hogg	D477,160	S	7/2003	Grosfillex
D314,101	S	1/1991	Yau Kee	D485,092	S	1/2004	Rosen
D314,103	S	1/1991	Yau Kee	6,726,038	B2	4/2004	Ko
D314,679	S	2/1991	Kee	D493,048	S	7/2004	Moon et al.
D314,682	S	2/1991	Kellems et al.	D496,545	S	9/2004	McDiamid
D319,362	S	8/1991	Kellems et al.	D501,338	S	2/2005	Deasy et al.
D322,726	S	12/1991	Rademacher et al.	D501,738	S	2/2005	Clucas
D323,256	S	1/1992	Kee	6,899,237	B2	5/2005	Trent
D328,400	S	8/1992	Kee	6,938,807	B2	9/2005	Victor
D329,556	S	9/1992	Brussing	6,970,143	B2	11/2005	Allen et al.
D330,987	S	11/1992	Rosenthal	D528,342	S	9/2006	Yu
5,169,009	A	12/1992	Bomze	D538,058	S	3/2007	Van Es
5,217,125	A	6/1993	Swanson	D538,106	S	3/2007	Julian
5,279,231	A	1/1994	Kolvites et al.	D540,568	S	4/2007	Clucas
D344,381	S	2/1994	Martin et al.	D542,092	S	5/2007	Raichien et al.
D348,760	S	7/1994	Linder	D543,056	S	5/2007	Chou
5,351,843	A	10/1994	Wichman et al.	D544,250	S	6/2007	Daugherty et al.
5,423,251	A	6/1995	Kolvites et al.	D544,251	S	6/2007	Daugherty et al.
5,452,811	A	9/1995	Taravella et al.	D560,937	S	2/2008	Hwang
D364,055	S	11/1995	Pakla	D562,594	S	2/2008	Thompson
D364,288	S	11/1995	Kramer et al.	D569,180	S	5/2008	Rathburn
D371,879	S	7/1996	Linder	D569,856	S	5/2008	Rathburn
D373,039	S	8/1996	Cohen et al.	D579,691	S	11/2008	Snider
5,580,025	A	12/1996	Cross	D580,193	S	11/2008	Sparkowski
D378,331	S	3/1997	Allendorph	D586,153	S	2/2009	Maly
5,628,415	A	5/1997	Mulholland	D586,583	S	2/2009	Schluter et al.
5,647,487	A	7/1997	Reinhard	D588,840	S	3/2009	Dretzka
5,676,263	A	10/1997	Chang	D590,634	S	4/2009	Nigro
D392,817	S	3/1998	Lee	7,516,856	B2	4/2009	Lee et al.
5,738,230	A	4/1998	Goldstein	D594,252	S	6/2009	Gehring
D393,970	S	5/1998	Lee	D597,342	S	8/2009	Dickson
5,779,070	A	7/1998	Dickenson et al.	D597,343	S	8/2009	Thakur
D400,739	S	11/1998	Sheng	D602,712	S	10/2009	Ho
D403,536	S	1/1999	Olson et al.	D603,188	S	11/2009	Wang
5,855,175	A	1/1999	Forbes	7,617,941	B2	11/2009	Colin et al.
5,865,320	A	2/1999	Hamada	D607,667	S	1/2010	Cayouette
5,913,270	A	6/1999	Price	D615,777	S	5/2010	Lee et al.
5,924,577	A	7/1999	Gessert	7,789,251	B1	9/2010	Clark
5,924,581	A	7/1999	Chen	D624,753	S	10/2010	Post et al.
5,988,405	A	11/1999	Weisenburger	D626,356	S	11/2010	Ho
5,996,812	A	12/1999	Sokol, Jr.	D628,856	S	12/2010	Wang et al.
6,017,107	A	1/2000	Elliott et al.	D630,813	S	1/2011	Molayem
D424,836	S	5/2000	Kopala, Jr.	7,891,507	B2	2/2011	Shelter
6,079,575	A	6/2000	Wang	D637,427	S	5/2011	Troyner et al.
D429,092	S	8/2000	Walter	D643,686	S	8/2011	Tiemann
D429,095	S	8/2000	Grosfillex	D644,069	S	8/2011	Tiemann
6,105,798	A	8/2000	Gruber et al.	D648,969	S	11/2011	Cittadino et al.
6,123,035	A	9/2000	Pfister	D653,063	S	1/2012	Post et al.
D432,820	S	10/2000	Walters-Dowding et al.	8,096,430	B2	1/2012	Lim
6,135,299	A	10/2000	Burgess	D657,979	S	4/2012	Sokol et al.
D433,709	S	11/2000	Hardy	D660,652	S	5/2012	Tiemann
6,155,435	A	12/2000	Malik	D664,378	S	7/2012	Vu
6,173,846	B1	1/2001	Anderson	D668,103	S	10/2012	Cloutier et al.
D438,724	S	3/2001	Trulaske, Sr.	D670,943	S	11/2012	Hertaus
D439,769	S	4/2001	Prince et al.	D675,849	S	2/2013	Tawil
D440,793	S	4/2001	Iannaccone	D676,262	S	2/2013	Lim
D444,975	S	7/2001	West	D676,686	S	2/2013	Lim
6,260,488	B1	7/2001	Yang et al.	D676,687	S	2/2013	Lim
				D676,688	S	2/2013	Lim
				D677,056	S	3/2013	Hu
				D677,943	S	3/2013	Mendoza
				D680,361	S	4/2013	Zobel et al.

(56)

References Cited

U.S. PATENT DOCUMENTS

D683,160 S	5/2013	Williams et al.	D703,468 S	4/2014	Ho et al.
D683,567 S	6/2013	Hsu et al.	D704,482 S	5/2014	Hsu et al.
D683,983 S	6/2013	Troyner et al.	2002/0027114 A1	3/2002	Krusell
8,464,880 B2	6/2013	Lim	2003/0131767 A1	7/2003	Chen
D686,029 S	7/2013	Parker et al.	2004/0065633 A1	4/2004	Chen
D687,253 S	8/2013	McIntyre	2005/0206579 A1	9/2005	Allen et al.
8,522,987 B2	9/2013	Lim	2006/0254992 A1	11/2006	Lim
D690,967 S	10/2013	Goodman et al.	2007/0175847 A1	8/2007	Prest
D696,049 S	12/2013	Hsu et al.	2008/0203042 A1	8/2008	Felsenthal
D699,073 S	2/2014	Cheung	2008/0283480 A1	11/2008	Segall et al.
D699,485 S	2/2014	Hsu et al.	2008/0308516 A1	12/2008	Li
D699,986 S	2/2014	Tsai	2009/0152225 A1	6/2009	Lee
D703,467 S	4/2014	Ho et al.	2009/0184068 A1	7/2009	Kin
			2010/0181274 A1	7/2010	Vargo et al.
			2011/0233164 A1	9/2011	Chang
			2011/0240571 A1	10/2011	Ho

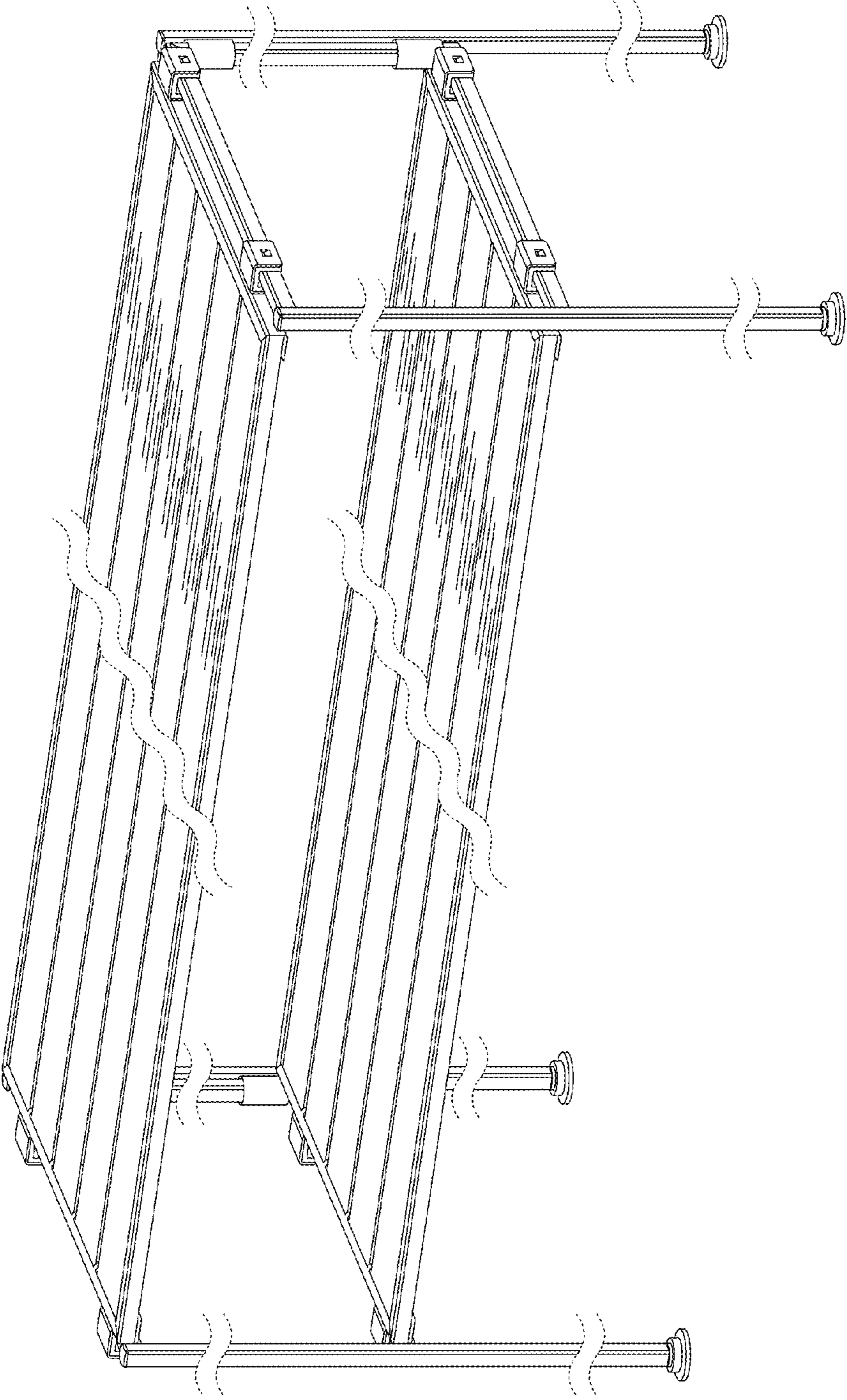


FIG. 1

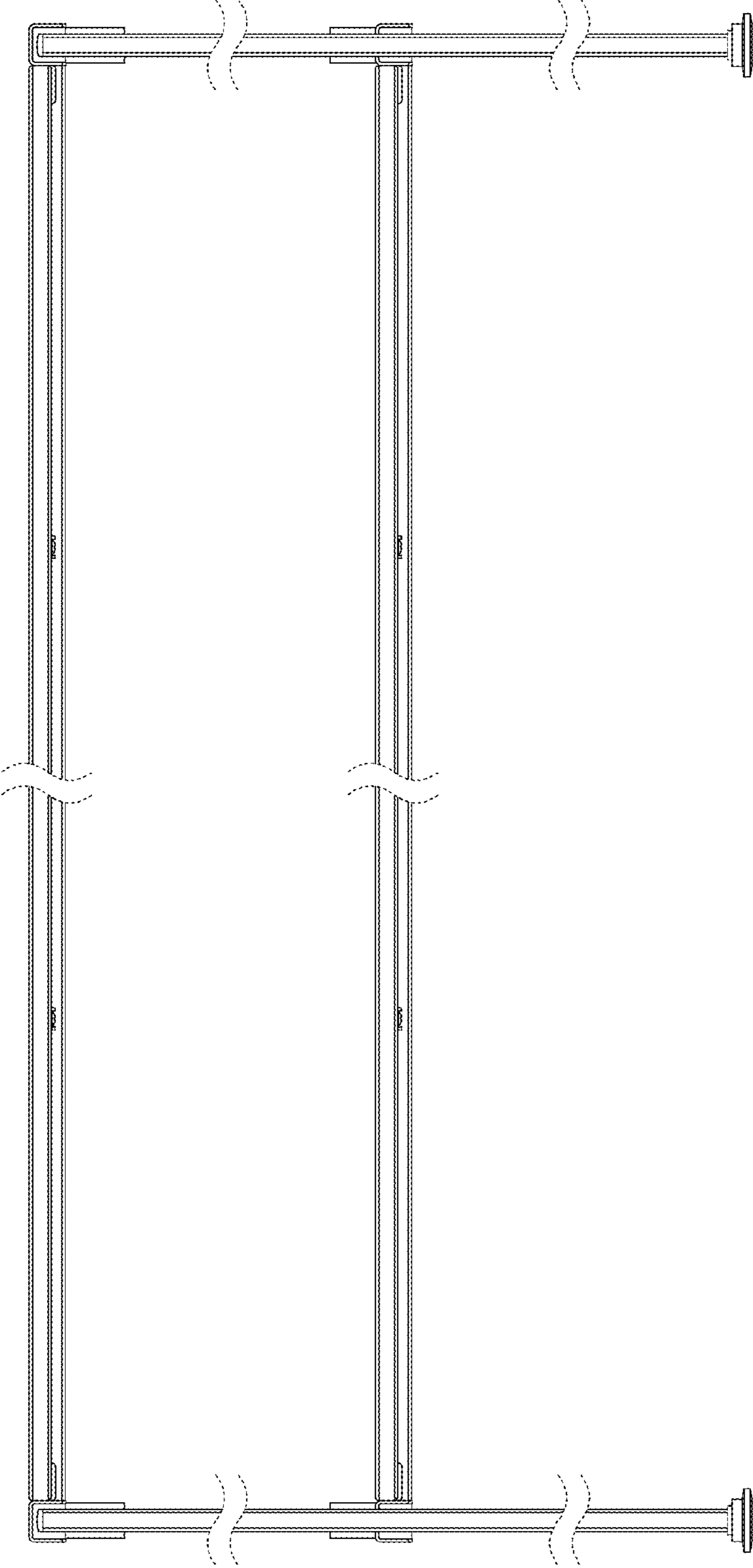


FIG. 2

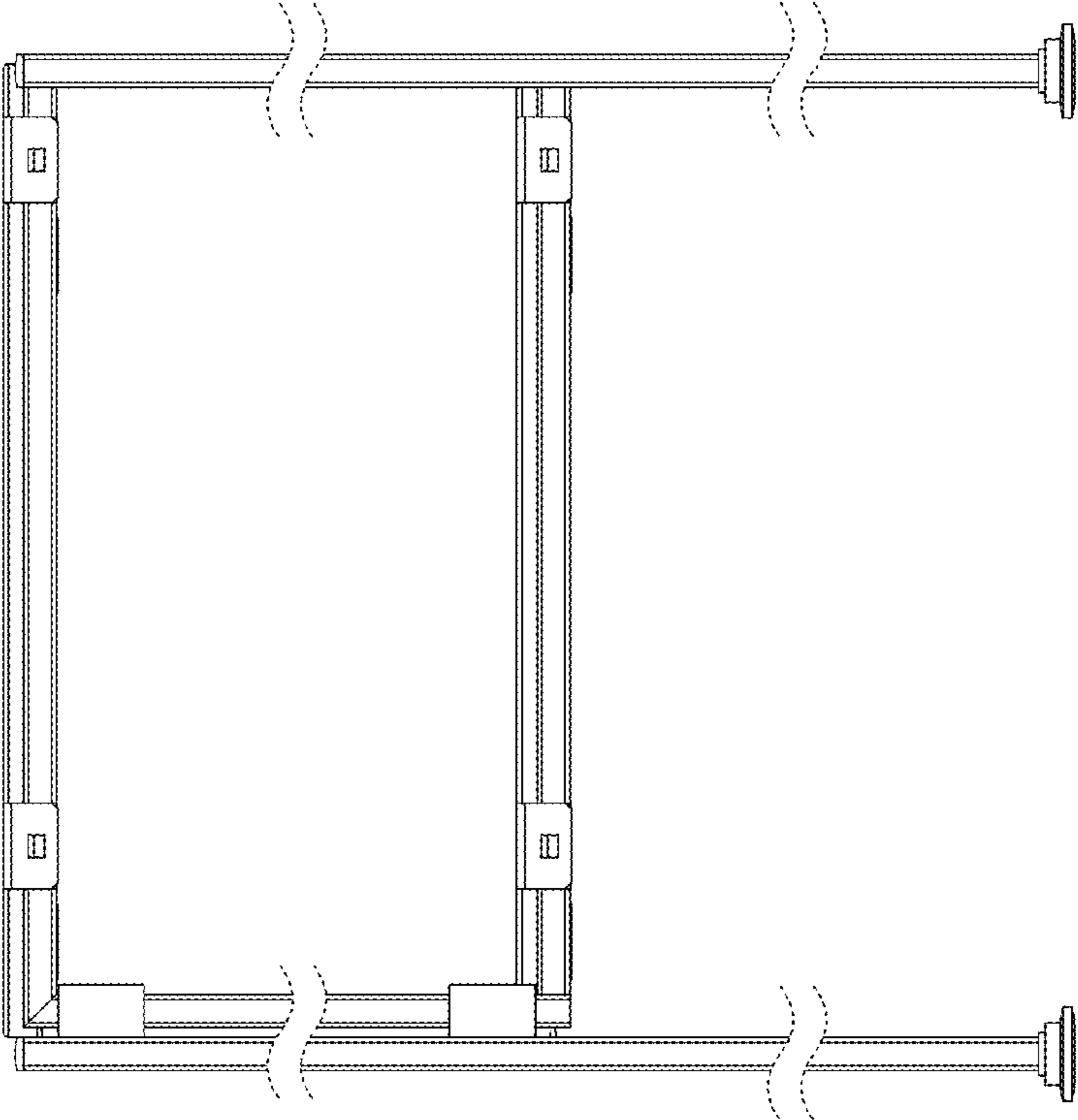


FIG. 3

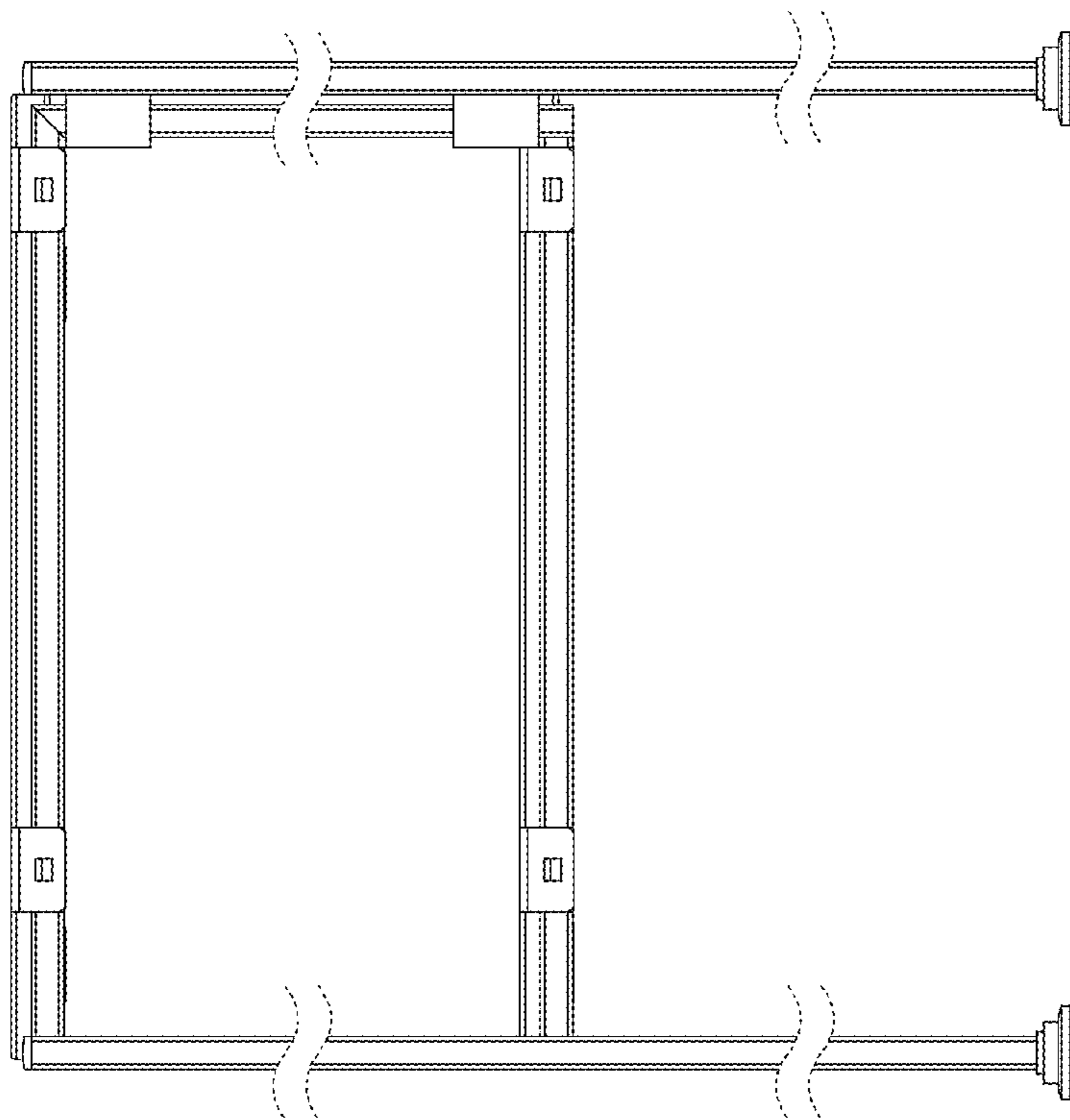


FIG. 4

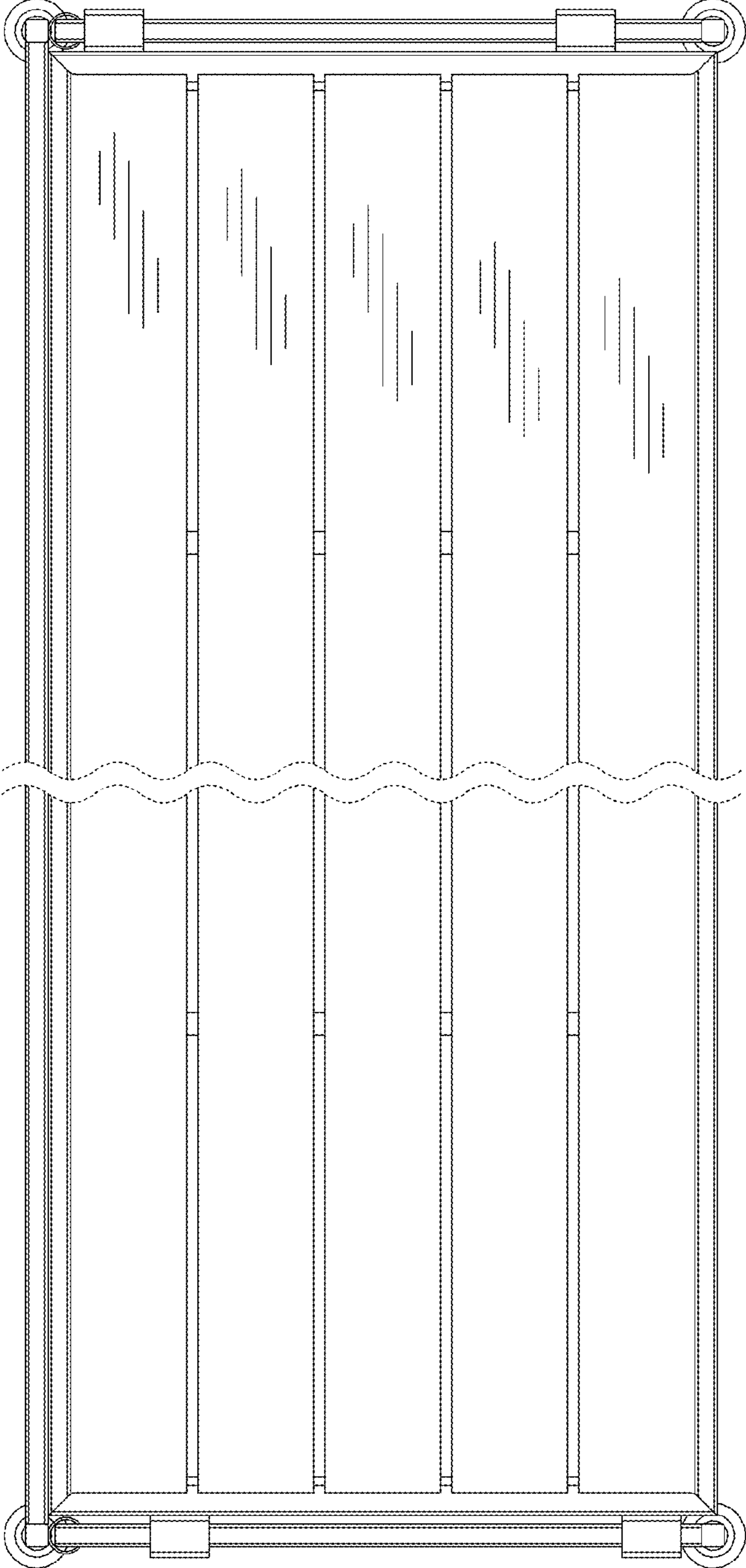


FIG. 5

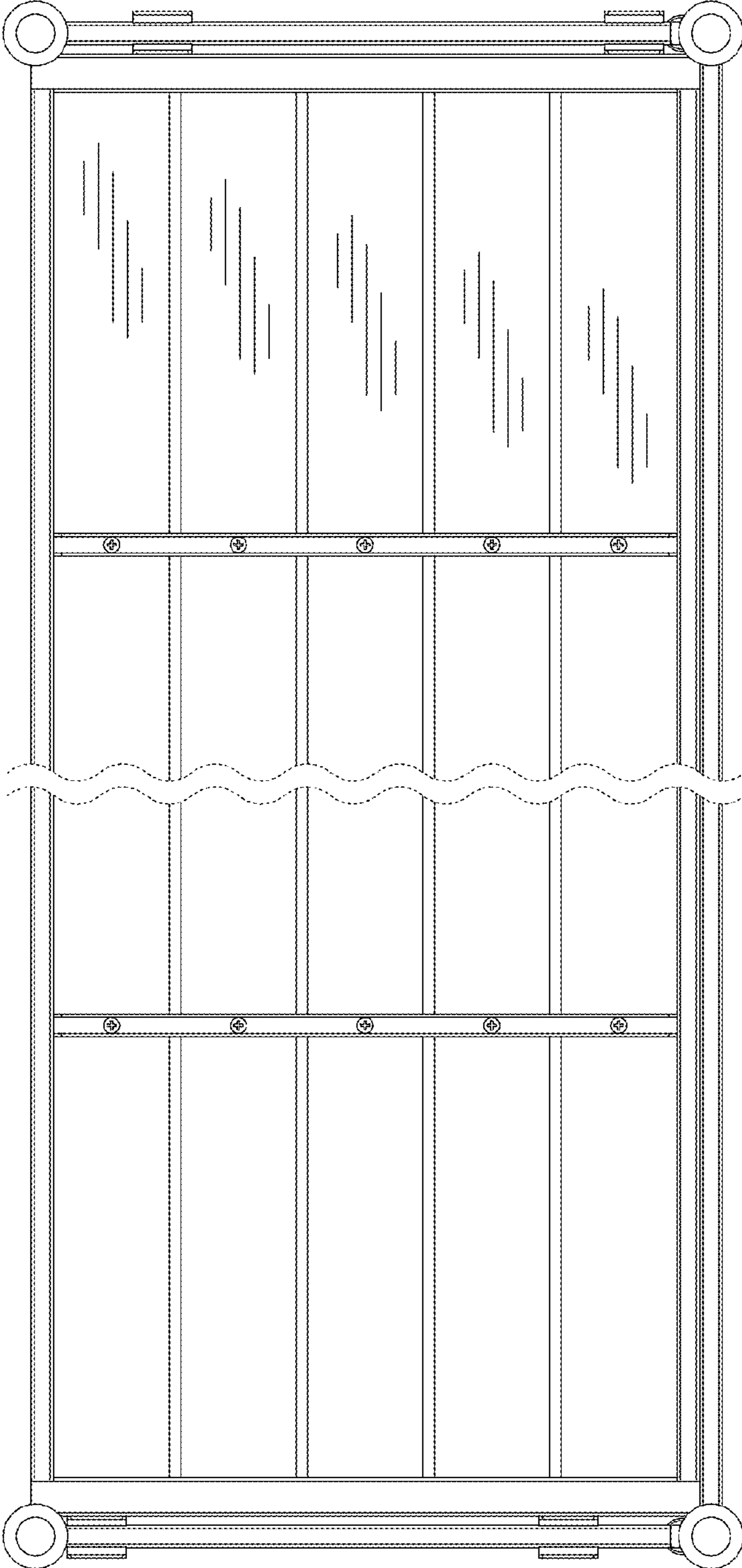


FIG. 6

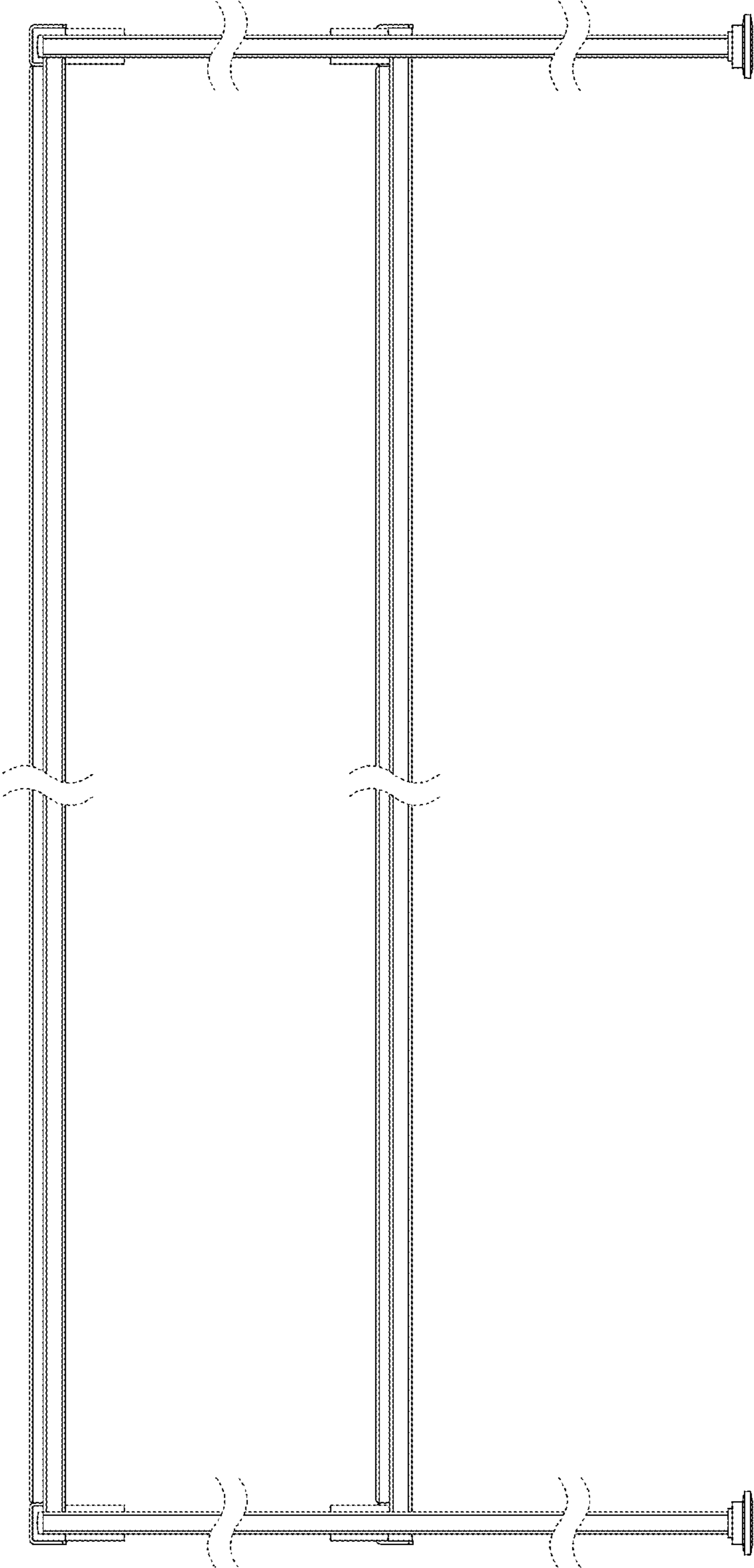


FIG. 7