



US00D732319S

(12) **United States Design Patent**
Engebretson

(10) **Patent No.:** **US D732,319 S**

(45) **Date of Patent:** **** Jun. 23, 2015**

(54) **MOBILE PHONE DISPLAY TABLE**

(71) Applicant: **Streater LLC**, Albert Lea, MN (US)

(72) Inventor: **Lance Engebretson**, Albert Lea, MN (US)

(73) Assignee: **Streater LLC**, Albert Lea, MN (US)

(**) Term: **14 Years**

(21) Appl. No.: **29/461,311**

(22) Filed: **Jul. 22, 2013**

(51) **LOC (10) Cl.** **06-04**

(52) **U.S. Cl.**
USPC **D6/657**

(58) **Field of Classification Search**

USPC D6/660-661, 661.2, 661.3, 662, 662.1, D6/663, 667, 671.1, 698-699; D14/127, D14/133, 302-307, 900-902; D20/10; D21/325, 332, 369-370; D24/185; 62/150; 312/107-108, 140.4, 204, 312/257.1; 361/679.01, 679.02, 671.04, 361/679.21, 679.57

CPC A47B 77/04; A47B 81/00; A47B 88/22; A47F 3/0465; A47F 5/108; A47F 9/00; A47F 9/047; G06Q 20/10; G06Q 20/18; G06Q 20/20; G06Q 20/123; G06Q 30/02; G06Q 30/06

See application file for complete search history.

(56) **References Cited**

U.S. PATENT DOCUMENTS

D47,806 S * 9/1915 Reaves et. al. D6/471

2,687,621	A *	8/1954	Fitzgerald	62/150
4,417,774	A *	11/1983	Bevan et al.	312/108
D307,986	S *	5/1990	Falk	D6/440
5,127,719	A *	7/1992	Battista	312/204
D356,904	S *	4/1995	Wolff	D6/436
D357,830	S *	5/1995	Englander et al.	D6/481
5,577,817	A *	11/1996	Reynolds	312/107
6,186,607	B1 *	2/2001	Remby	312/257.1
6,241,330	B1 *	6/2001	Lye et al.	312/140.4
D448,214	S *	9/2001	Jeffery	D6/481
D560,929	S *	2/2008	Woodward et al.	D6/446
D590,630	S *	4/2009	Singler et al.	D6/432

* cited by examiner

Primary Examiner — Ricky Pham

(74) *Attorney, Agent, or Firm* — Nikolai & Mersereau, P.A.;
Thomas J. Nikolai

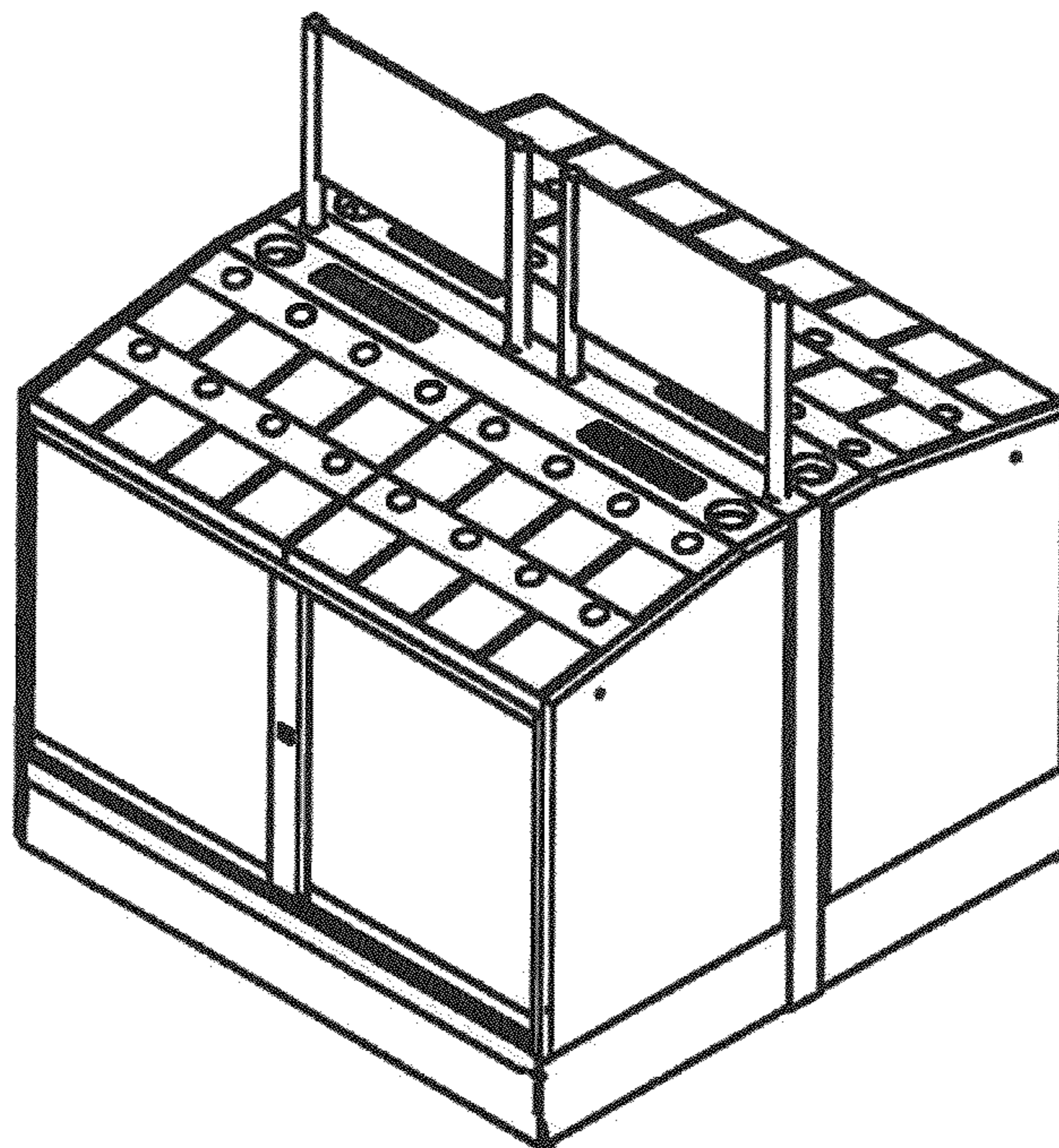
(57) **CLAIM**

The ornamental design for the “mobile phone display table,” as shown and described.

DESCRIPTION

FIG. 1 is a perspective view of the mobile phone display table; FIG. 2 is a top view thereof; FIG. 3 is a bottom view thereof; FIG. 4 is a front view thereof, the back view being the mirror image of FIG. 4; and, FIG. 5 is a side view thereof, the opposite side view being the mirror image of FIG. 5.

1 Claim, 3 Drawing Sheets



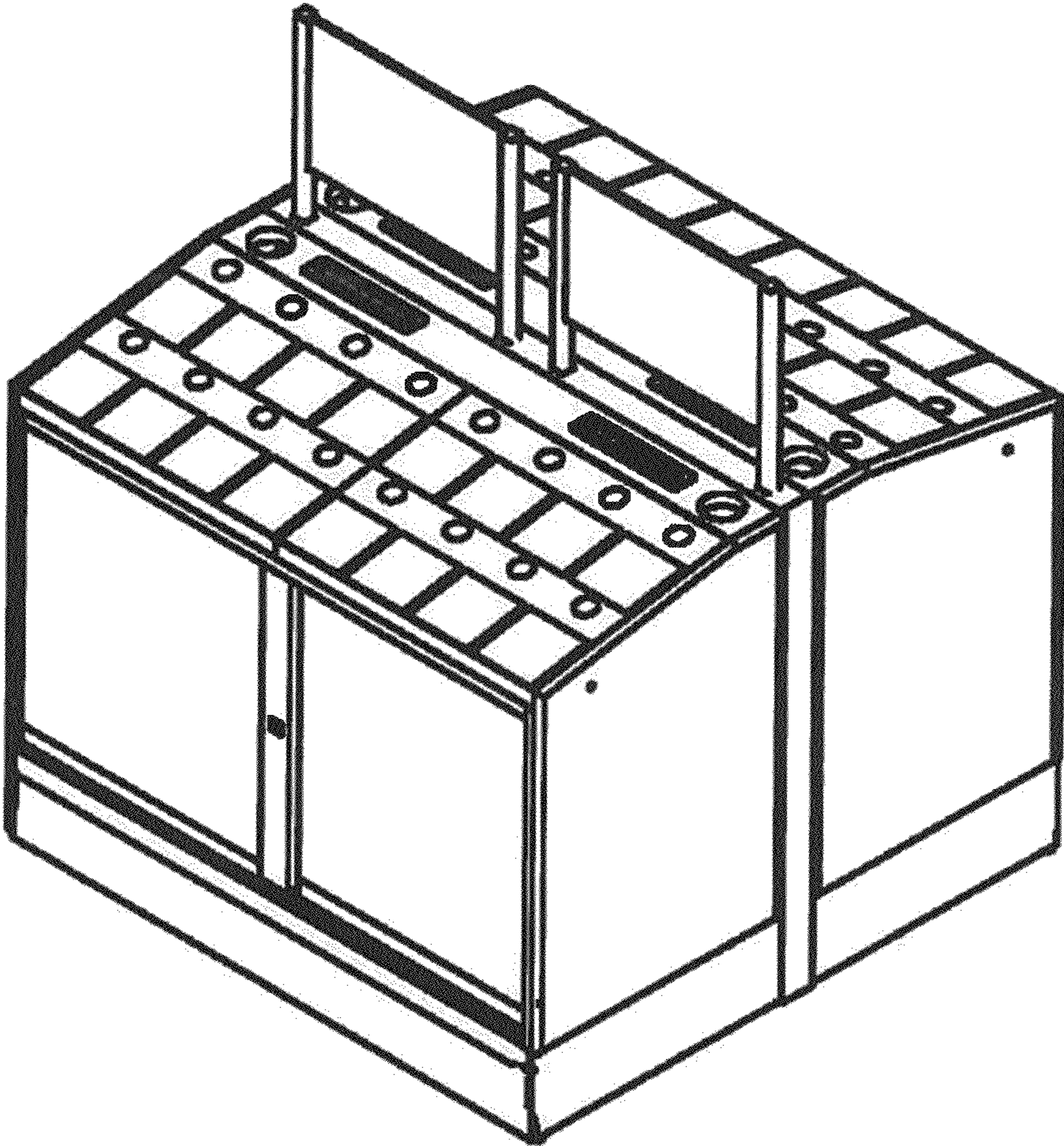


Fig. 1

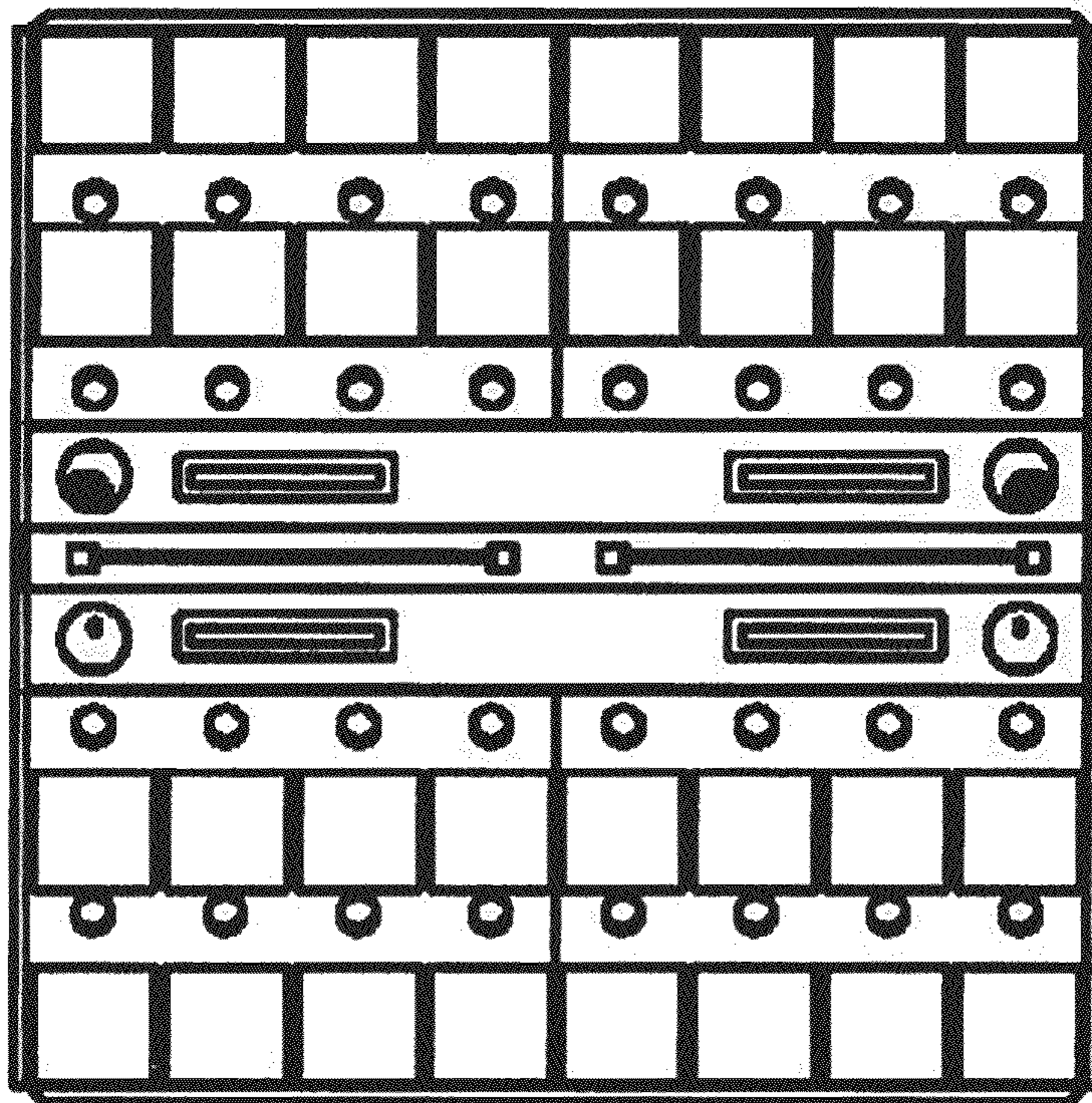


Fig. 2

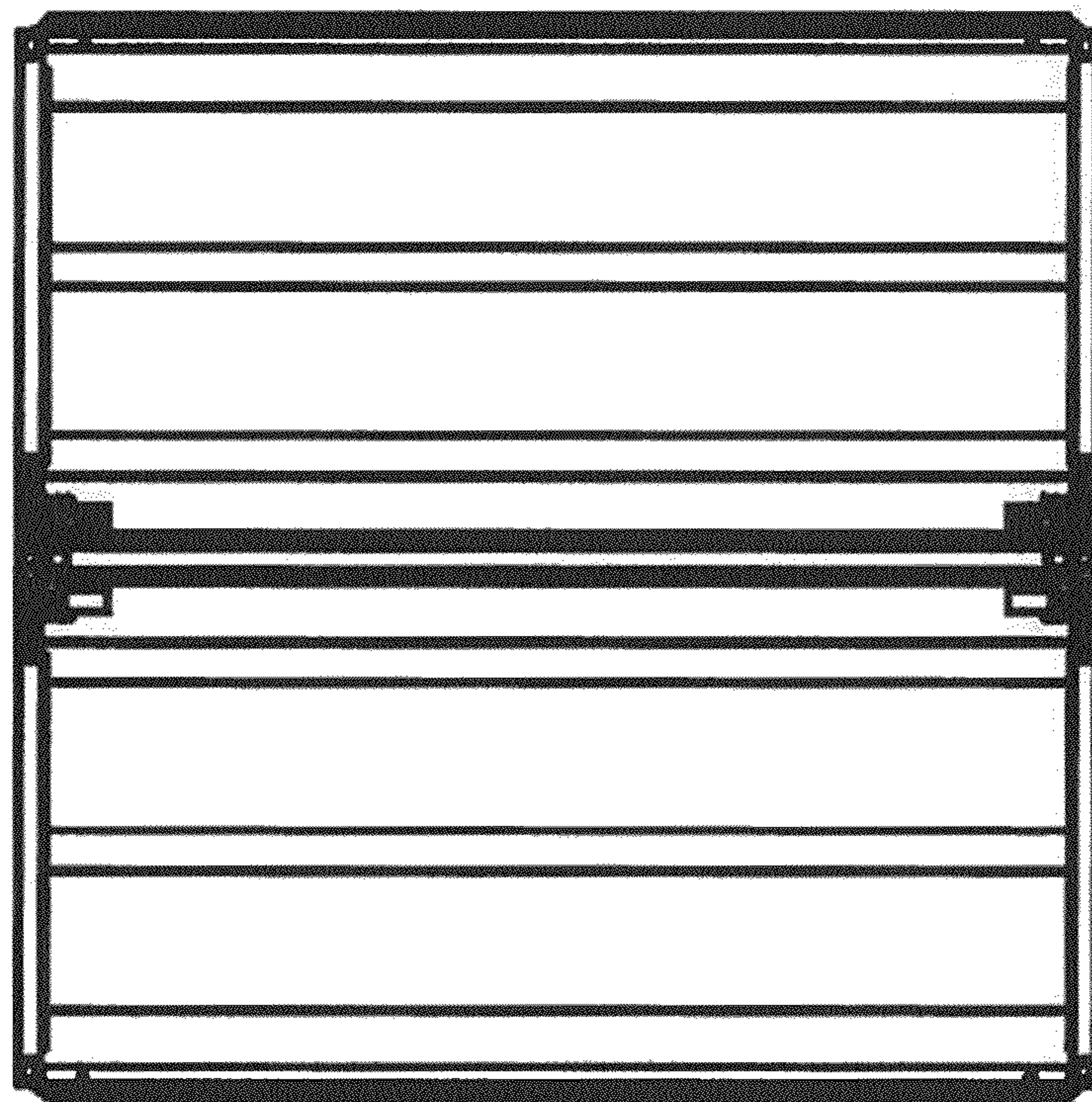


Fig. 3

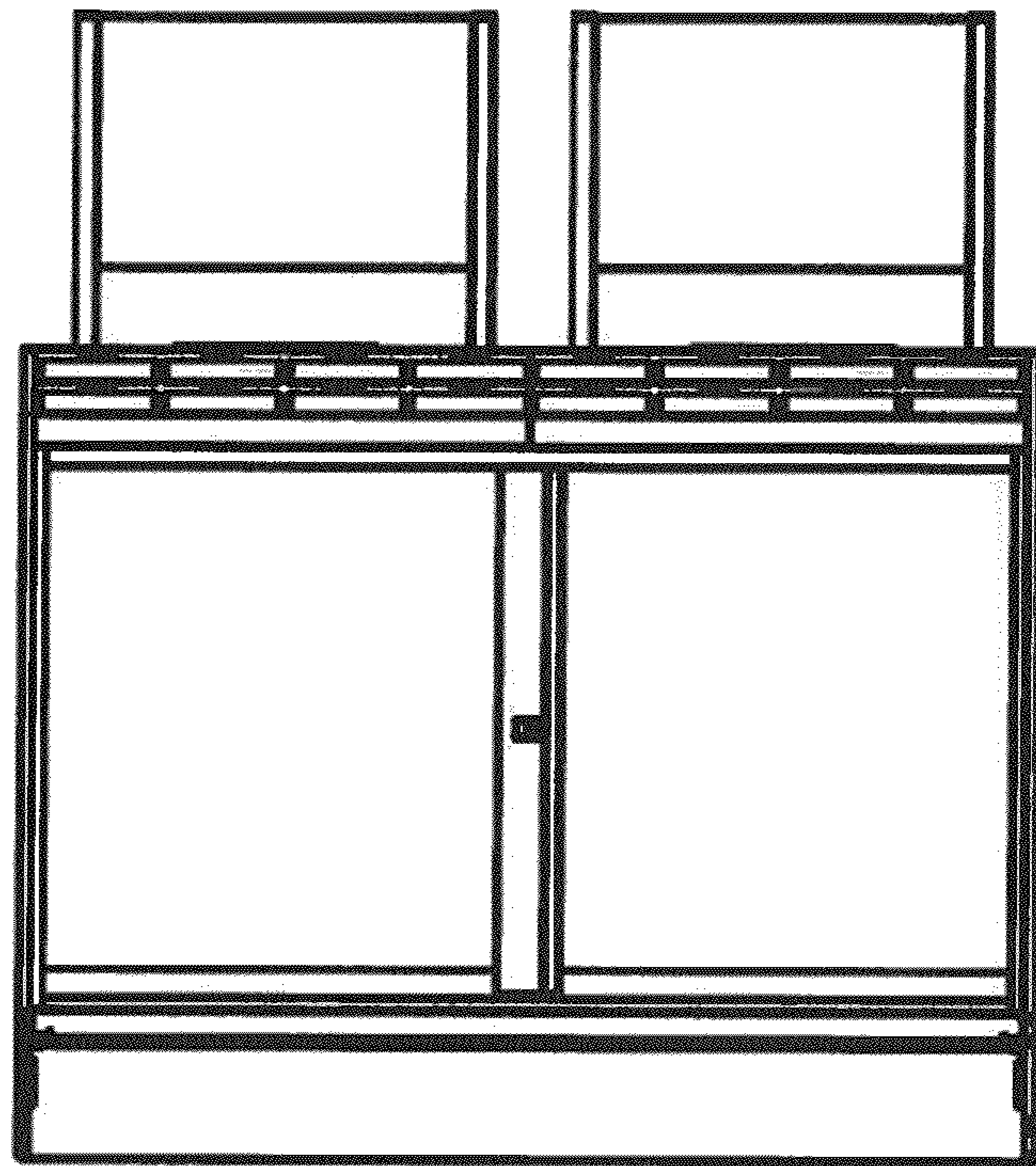


Fig. 4

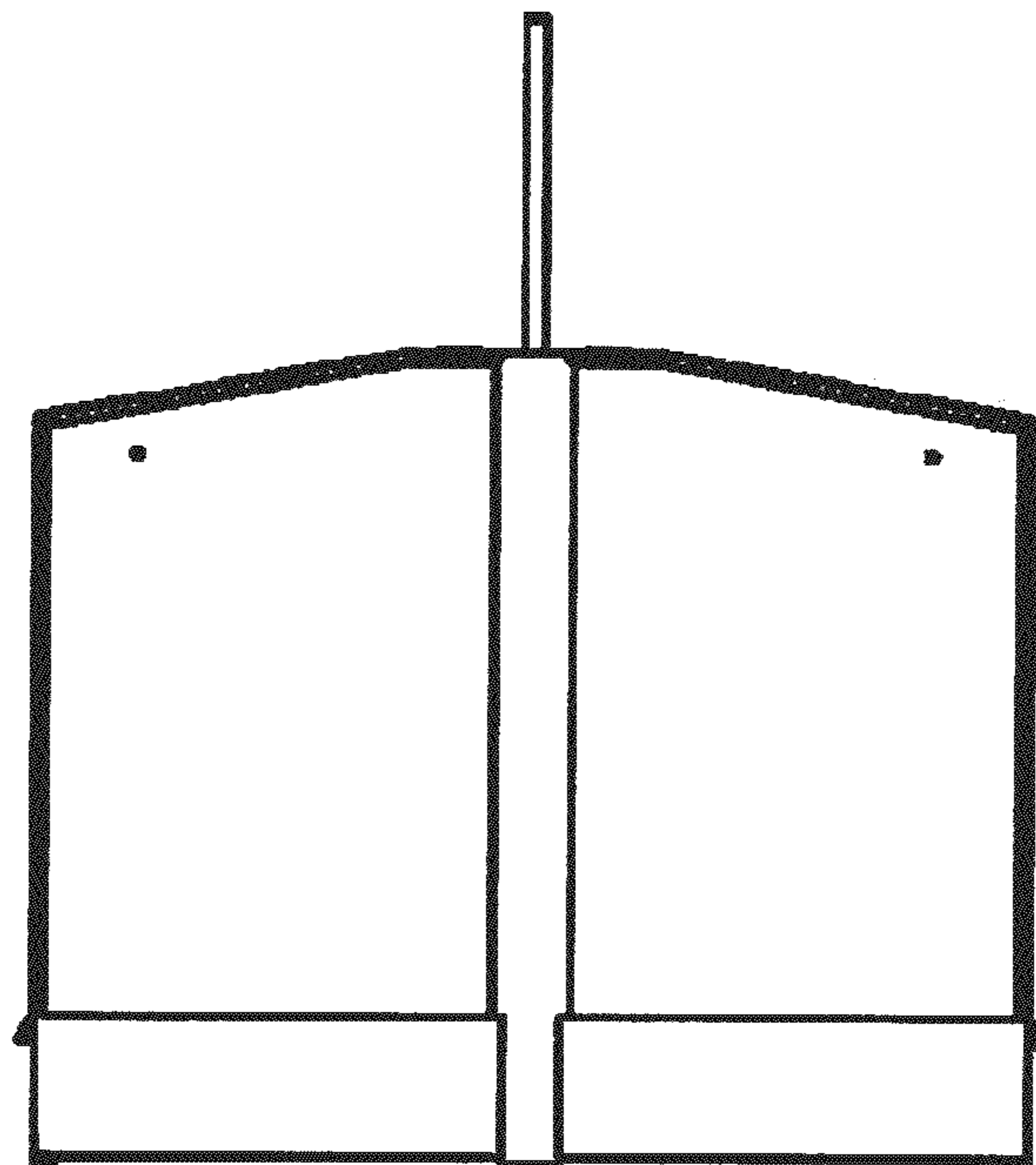


Fig. 5