



US00D732318S

(12) **United States Design Patent**  
**Engebretson**

(10) **Patent No.:** **US D732,318 S**

(45) **Date of Patent:** **\*\* Jun. 23, 2015**

(54) **DISPLAY TABLE**

(71) Applicant: **Streater LLC**, Albert Lea, MN (US)

(72) Inventor: **Lance Engebretson**, Albert Lea, MN (US)

(73) Assignee: **Streater LLC**, Albert Lea, MN (US)

(\*\*) Term: **14 Years**

(21) Appl. No.: **29/461,303**

(22) Filed: **Jul. 22, 2013**

(51) **LOC (10) Cl.** ..... **06-04**

(52) **U.S. Cl.**  
USPC ..... **D6/657**

(58) **Field of Classification Search**  
USPC ..... D6/657, 660–662, 662.1, 671, 671.1,  
D6/691.8; 312/7.2, 9.1, 114, 138.1, 204,  
312/237, 257.1

CPC ..... A47B 17/04; A47B 47/03; A47B 81/06;  
A47B 83/00; A47F 3/00; A47F 3/005; A47F  
5/0807

See application file for complete search history.

(56) **References Cited**

**U.S. PATENT DOCUMENTS**

D56,556 S \* 11/1920 Gray ..... D6/436  
D477,474 S \* 7/2003 Milligan ..... D6/446

D534,379 S \* 1/2007 Juneau ..... D6/484  
D553,879 S \* 10/2007 Juneau ..... D6/436  
D560,929 S \* 2/2008 Woodward et al. .... D6/446  
D560,930 S \* 2/2008 Woodward et al. .... D6/446  
D560,931 S \* 2/2008 Woodward et al. .... D6/446  
D587,497 S \* 3/2009 Zambelli ..... D6/477  
D589,280 S \* 3/2009 Zambelli ..... D6/477  
D599,577 S \* 9/2009 Lara ..... D6/436  
D630,453 S \* 1/2011 Rafieha ..... D6/436  
D663,139 S \* 7/2012 Zambelli ..... D6/470  
D687,250 S \* 8/2013 Weatherly ..... D6/661

\* cited by examiner

*Primary Examiner* — Ricky Pham

(74) *Attorney, Agent, or Firm* — Nikolai & Merseareau,  
P.A.; Thomas J. Nikolai

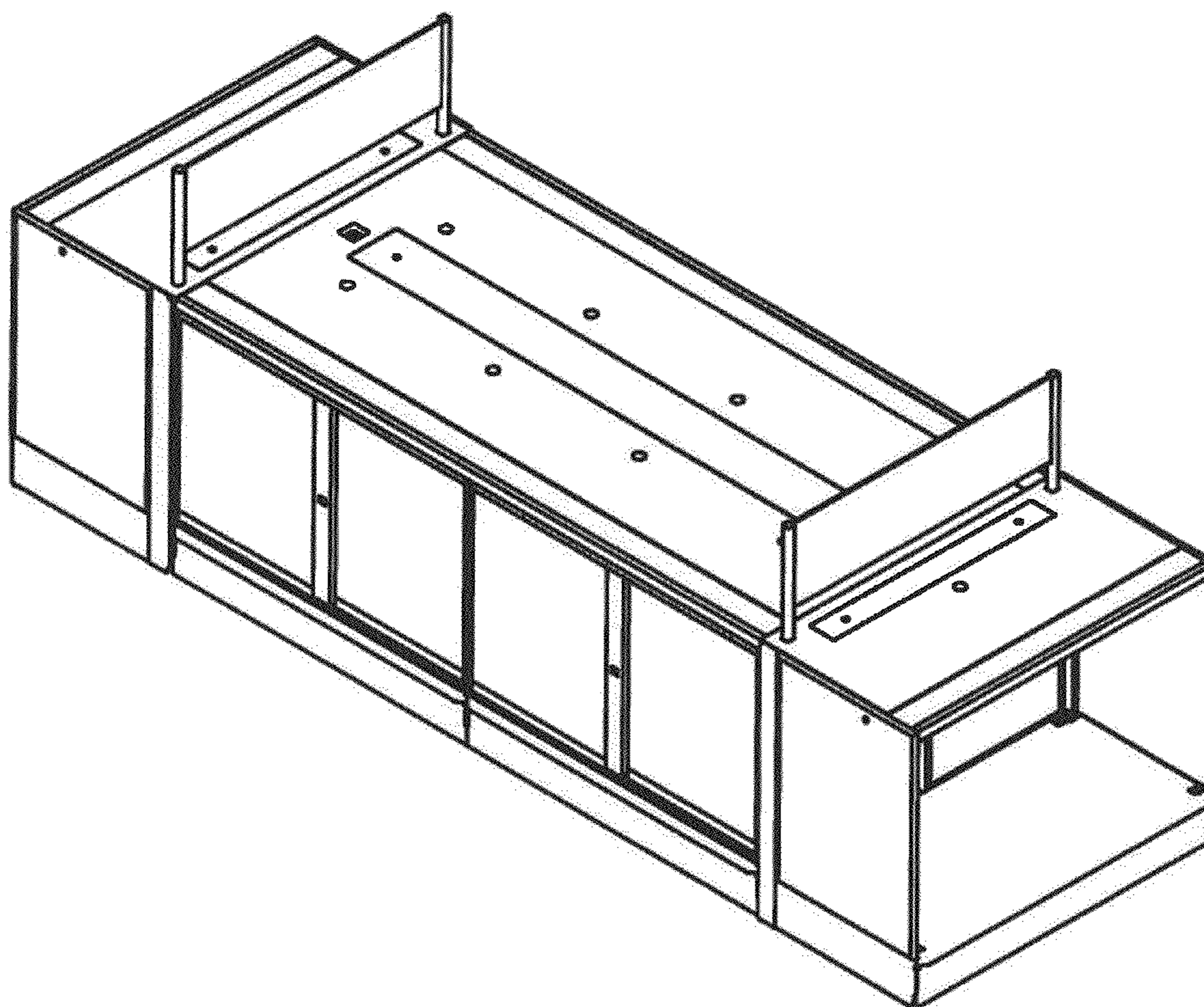
(57) **CLAIM**

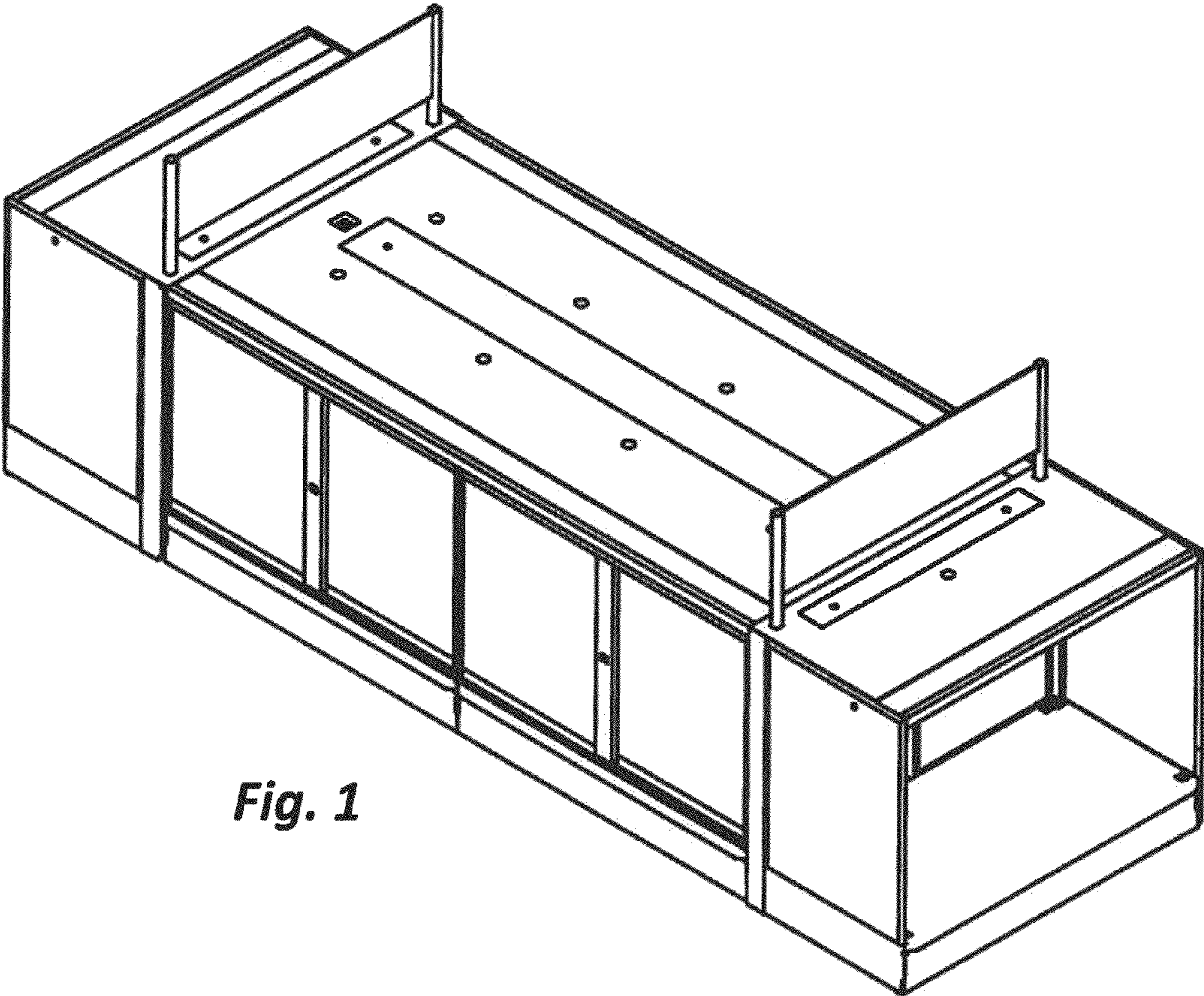
The ornamental design for the “display table,” as shown and described.

**DESCRIPTION**

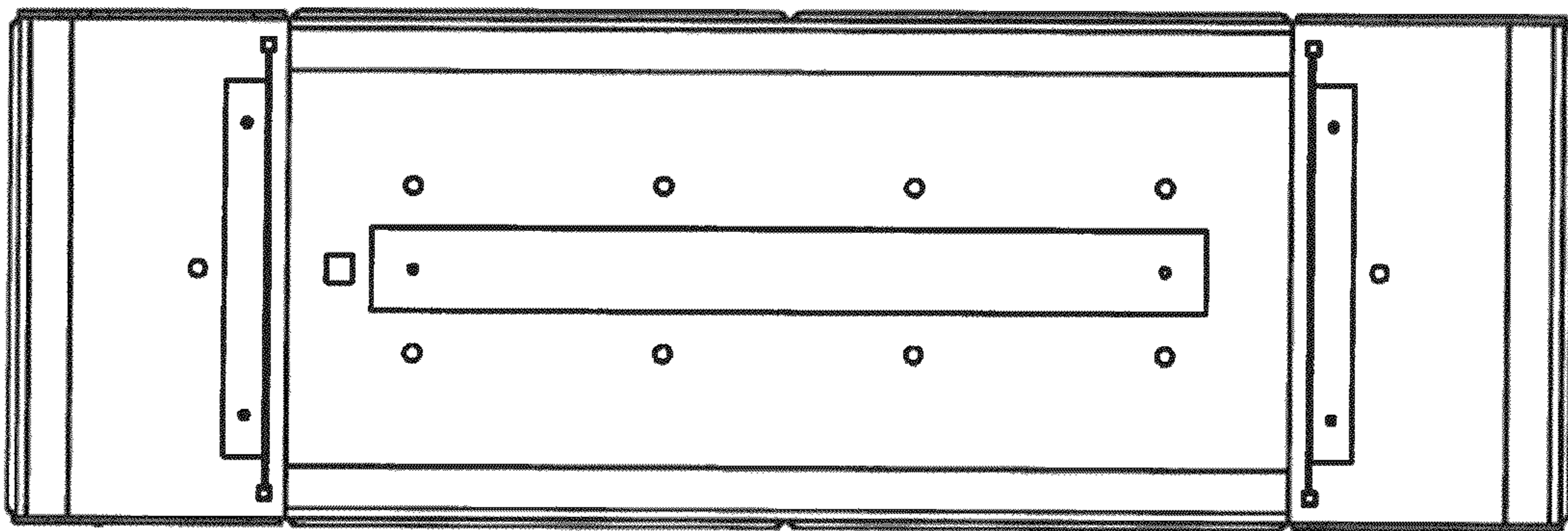
FIG. 1 is a perspective view of the display table;  
FIG. 2 is a top view thereof;  
FIG. 3 is a bottom view thereof;  
FIG. 4 is a front view thereof, the back view being the mirror image of FIG. 4; and,  
FIG. 5 is a side view thereof, the opposite side view being the mirror image of FIG. 5.

**1 Claim, 3 Drawing Sheets**

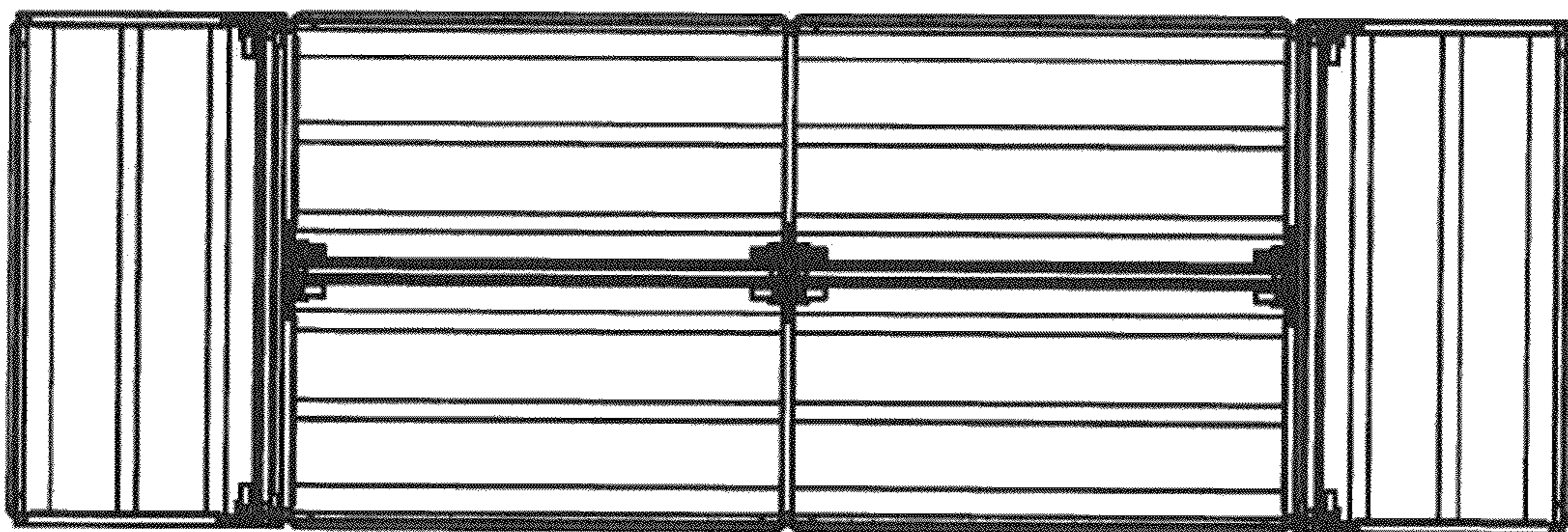




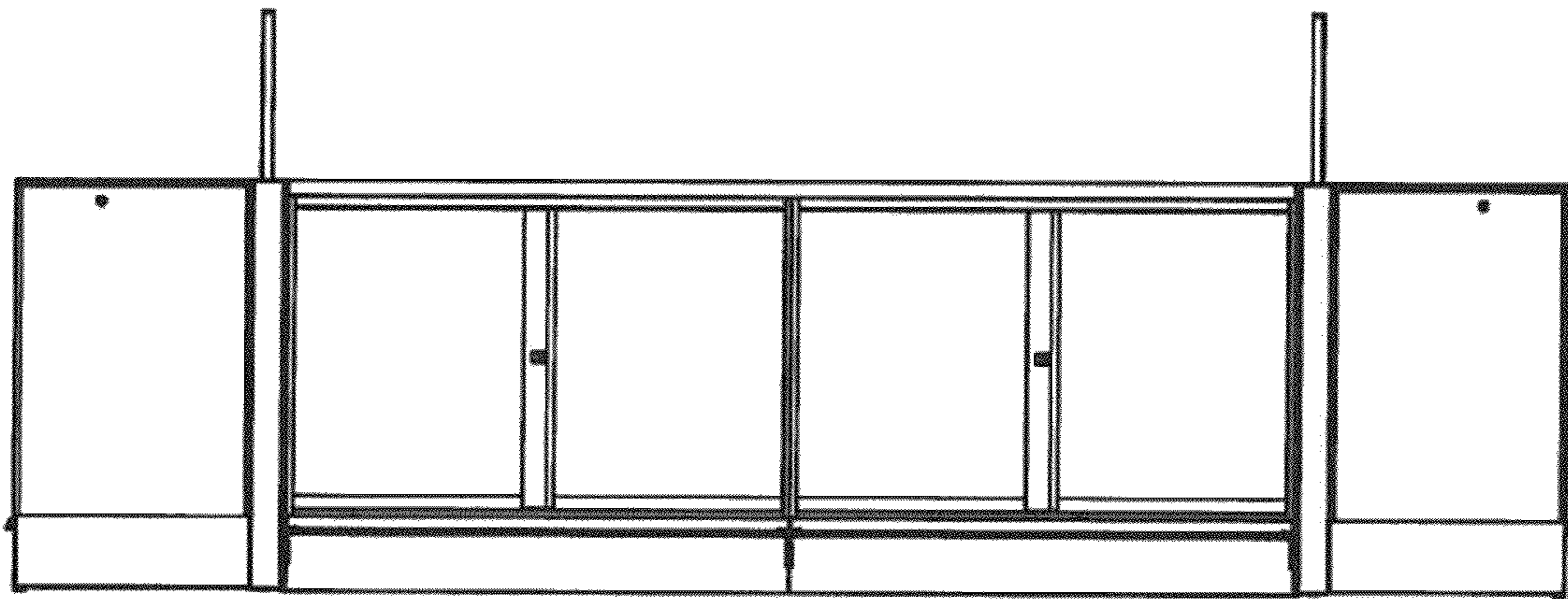
*Fig. 1*



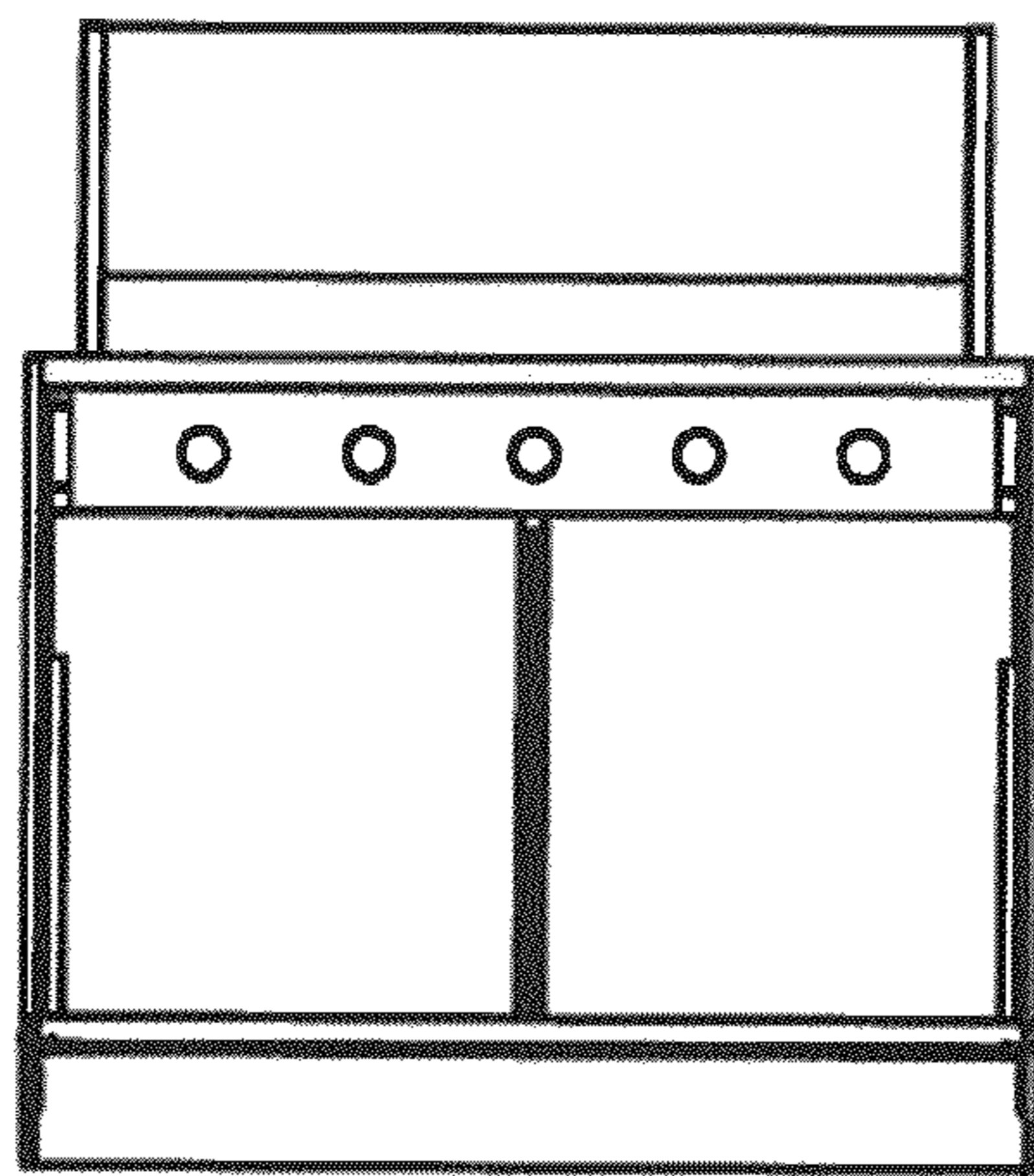
*Fig. 2*



*Fig. 3*



*Fig. 4*



*Fig. 5*