



US00D732317S

(12) **United States Design Patent**
Chang

(10) **Patent No.:** **US D732,317 S**
(45) **Date of Patent:** **** Jun. 23, 2015**

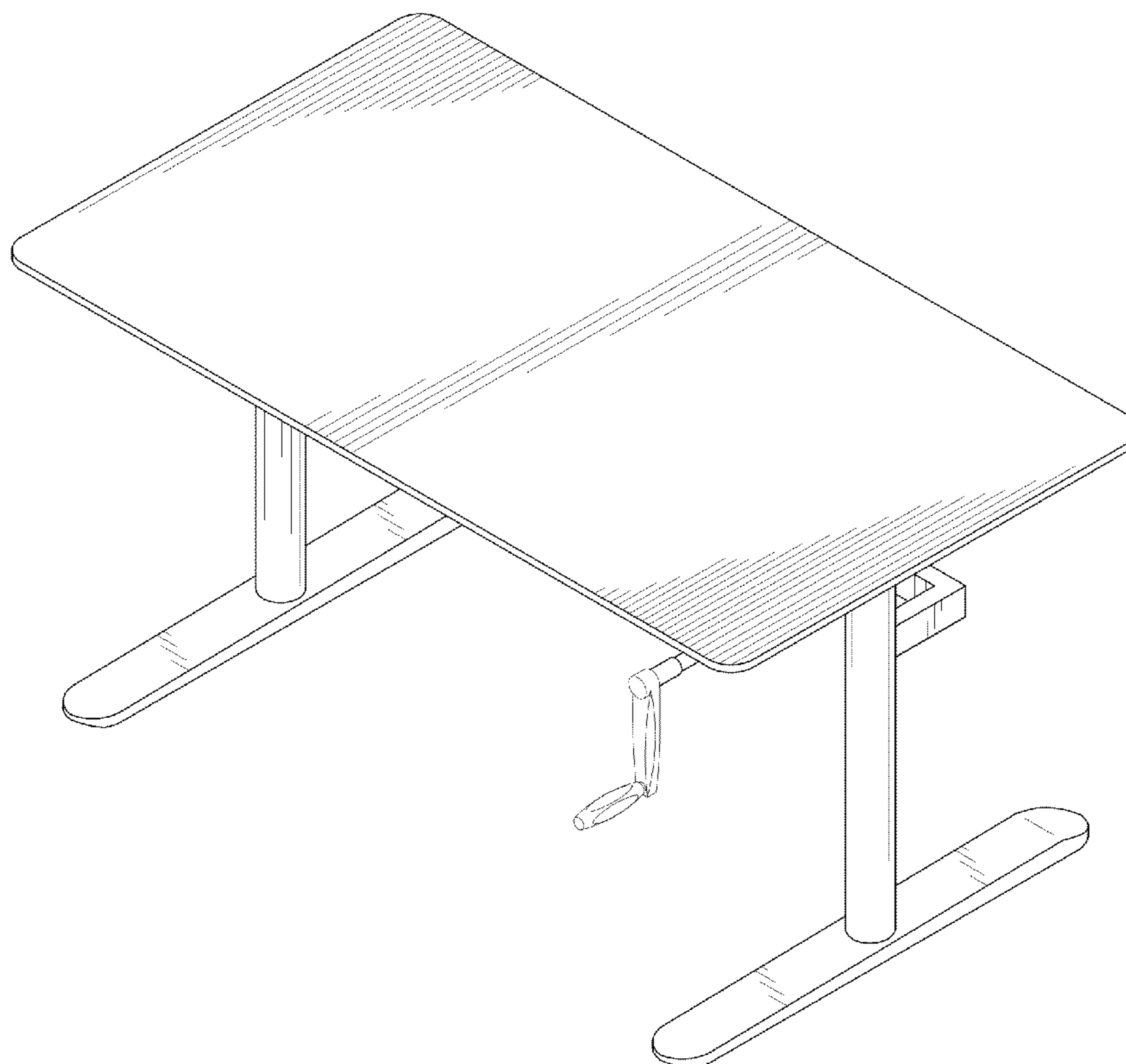
(54) **DESK**
(71) Applicant: **Chien-Kuo Chang**, Taichung (TW)
(72) Inventor: **Chien-Kuo Chang**, Taichung (TW)
(**) Term: **14 Years**
(21) Appl. No.: **29/482,149**
(22) Filed: **Feb. 14, 2014**
(51) **LOC (10) Cl.** **06-03**
(52) **U.S. Cl.**
USPC **D6/656.17**
(58) **Field of Classification Search**
USPC D6/641, 656, 656.1, 656.13, 656.15,
D6/656.16, 656.17, 656.18, 691, 691.4,
D6/691.5, 691.6
CPC A47B 2200/0027; A47B 2200/0029;
A47B 17/00; A47B 17/003; A47B 21/00;
A47B 21/02; A47B 2097/006; A47B 17/02;
A47B 9/20; A47B 9/00; A47B 85/02; A47B
41/02; A47B 9/08; A47B 9/04; A47B 9/02;
A47B 9/10
See application file for complete search history.

(56) **References Cited**
U.S. PATENT DOCUMENTS
3,818,844 A * 6/1974 Burr 108/132
D512,587 S * 12/2005 Frenkler et al. D6/480
2006/0169862 A1* 8/2006 Liu 248/422
2012/0126072 A1* 5/2012 Petterson 248/157
2014/0096706 A1* 4/2014 Labrosse et al. 108/21
* cited by examiner
Primary Examiner — Janice Seeger
(74) *Attorney, Agent, or Firm* — WPAT, P.C.; Anthony King

(57) **CLAIM**
The ornamental design for a desk, as shown and described.

DESCRIPTION
FIG. 1 is a perspective view of a desk showing our new design thereof;
FIG. 2 is a front elevational view thereof;
FIG. 3 is a rear elevational view thereof;
FIG. 4 is a left side elevational view thereof;
FIG. 5 is a right side elevational view thereof;
FIG. 6 is a top plan view thereof;
FIG. 7 is a bottom plan view thereof; and,
FIG. 8 is another perspective view thereof.

1 Claim, 8 Drawing Sheets



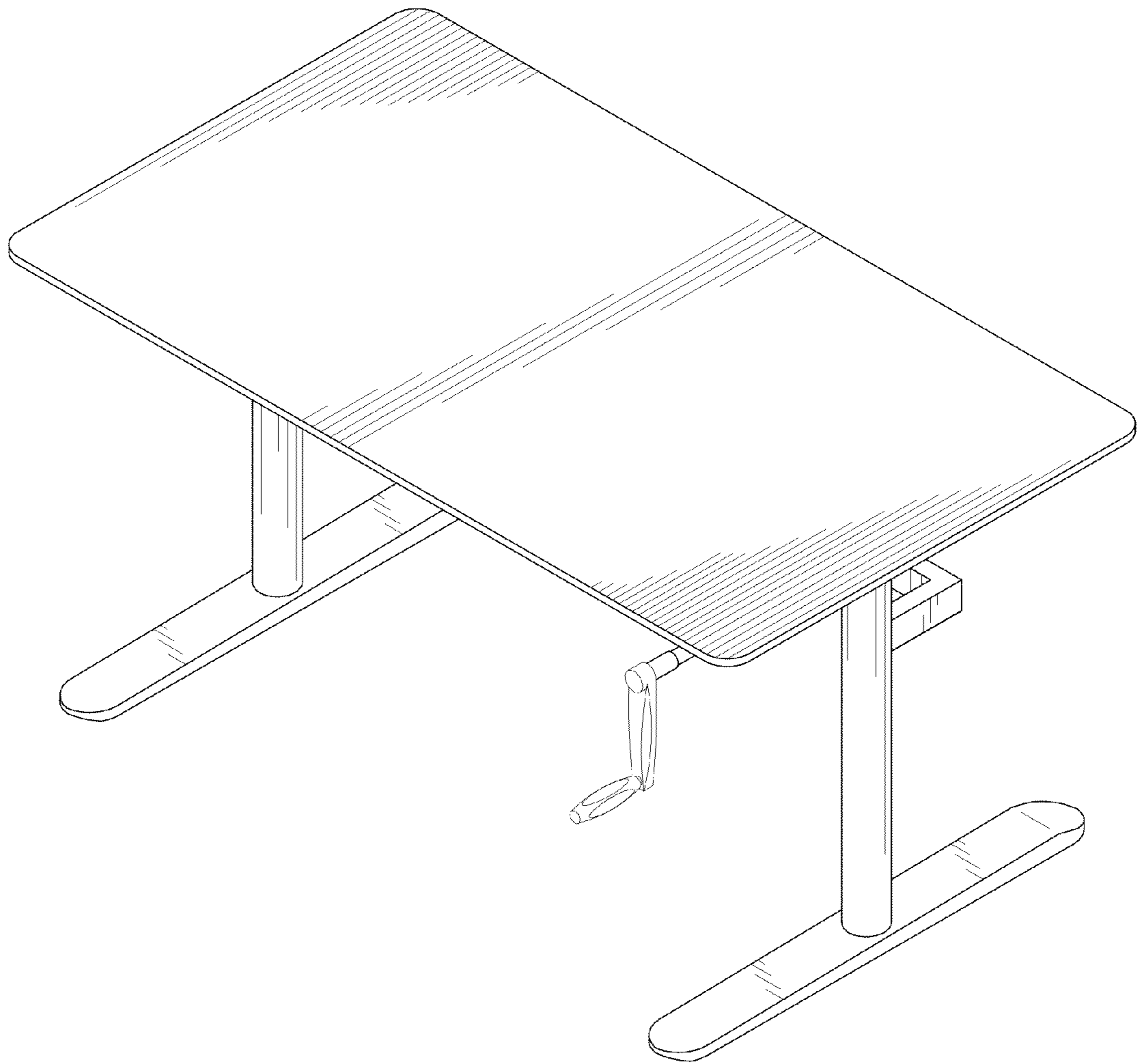


FIG. 1

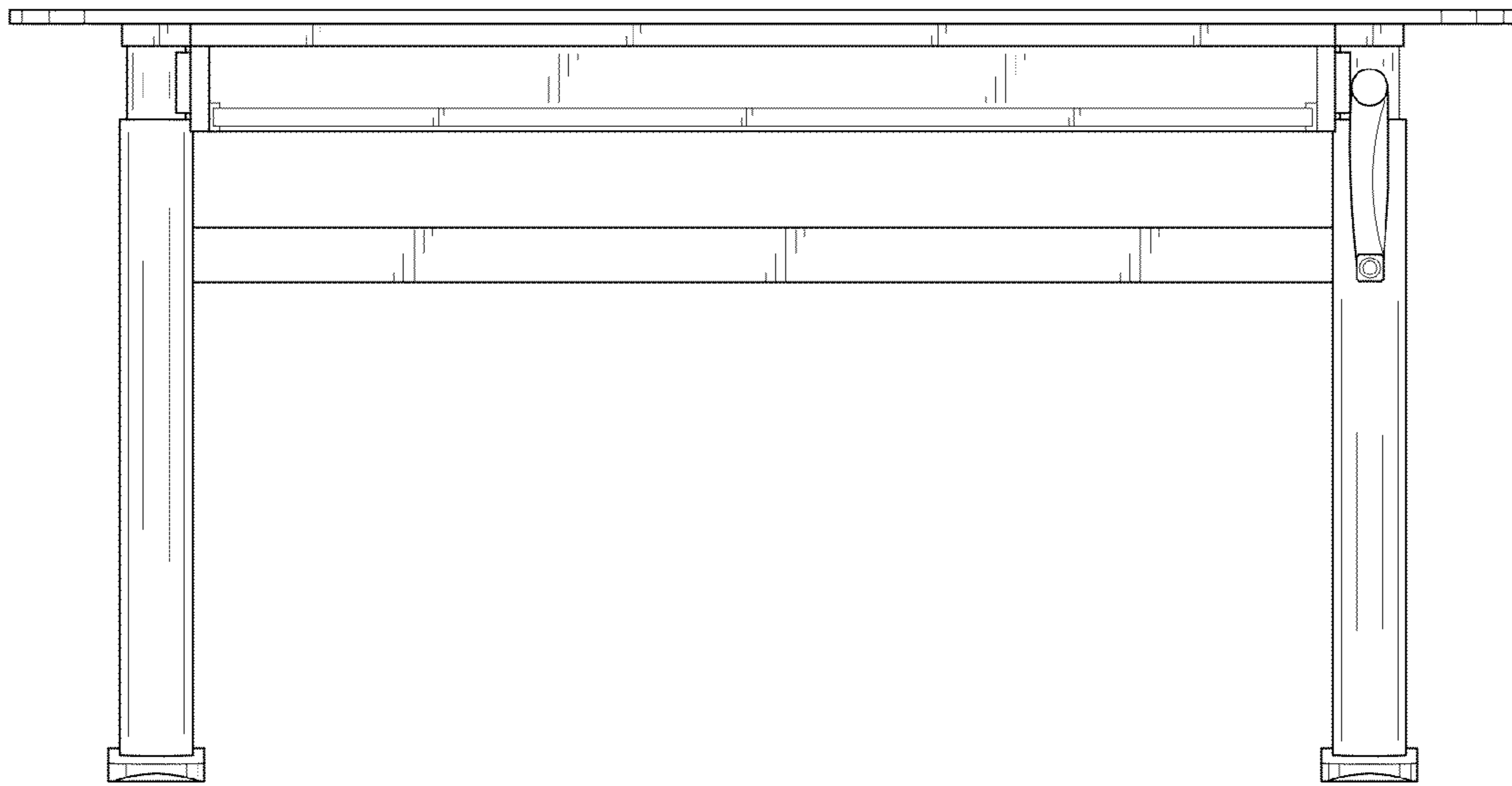


FIG. 2

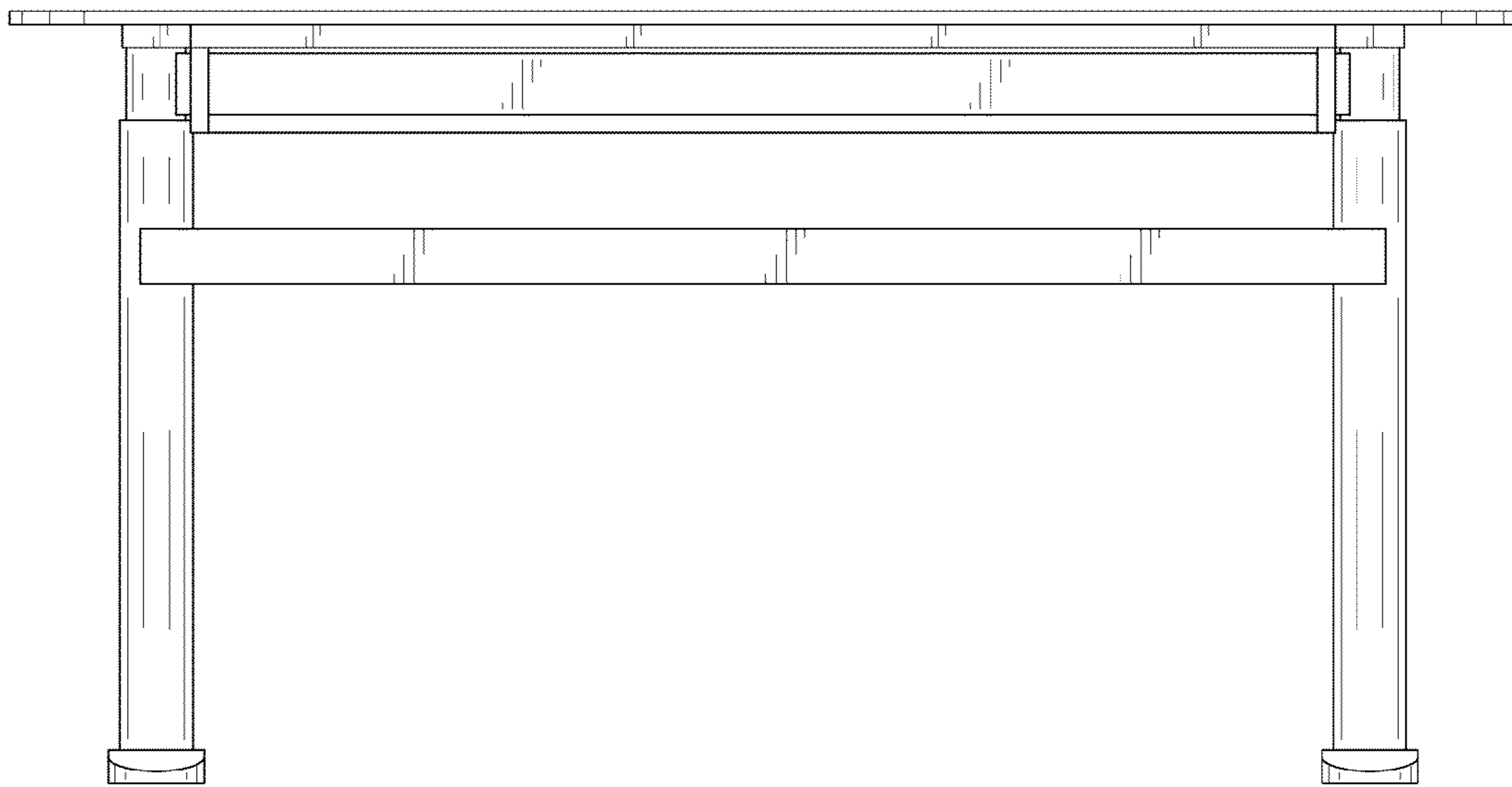


FIG. 3

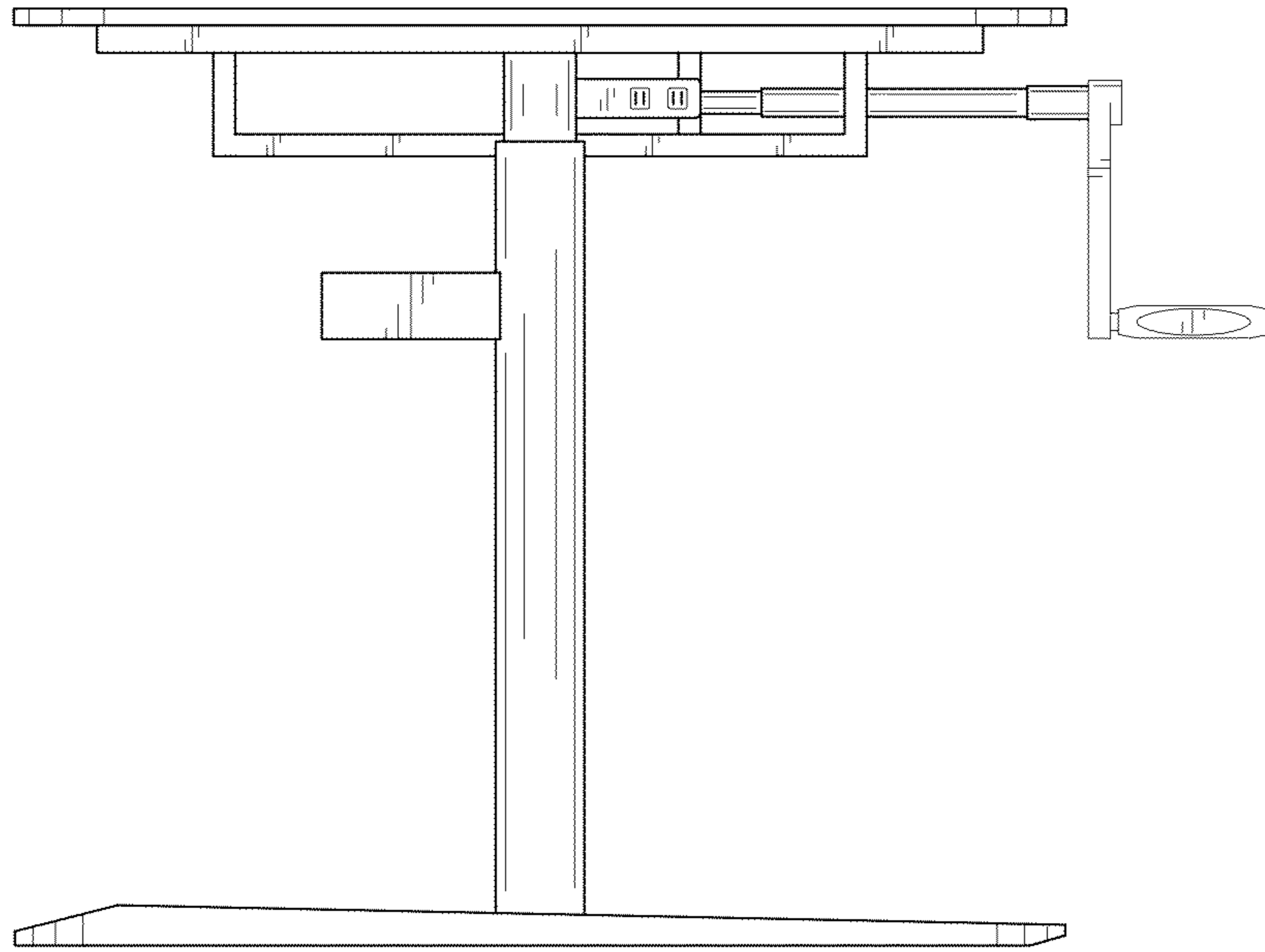


FIG. 4

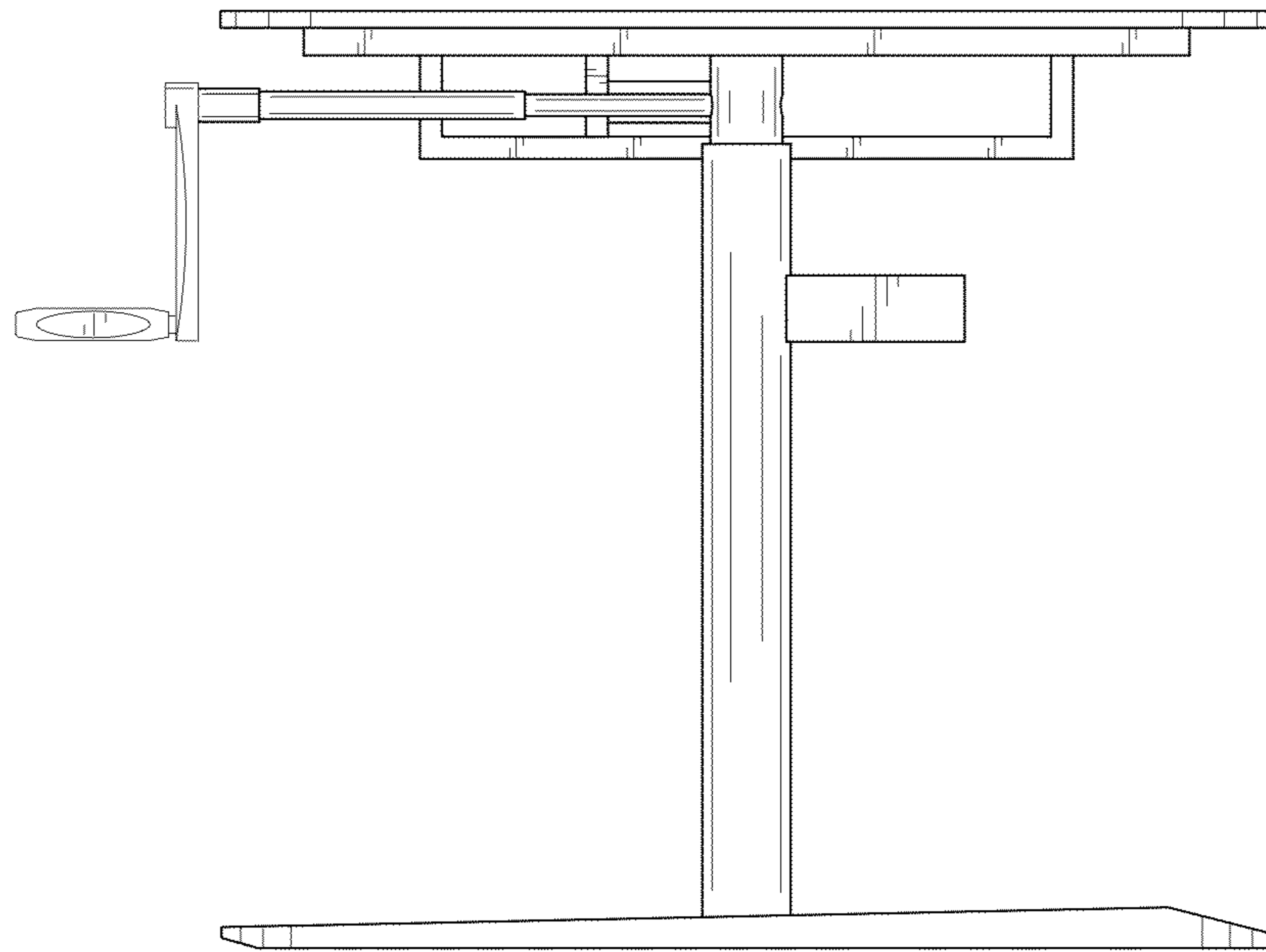


FIG. 5

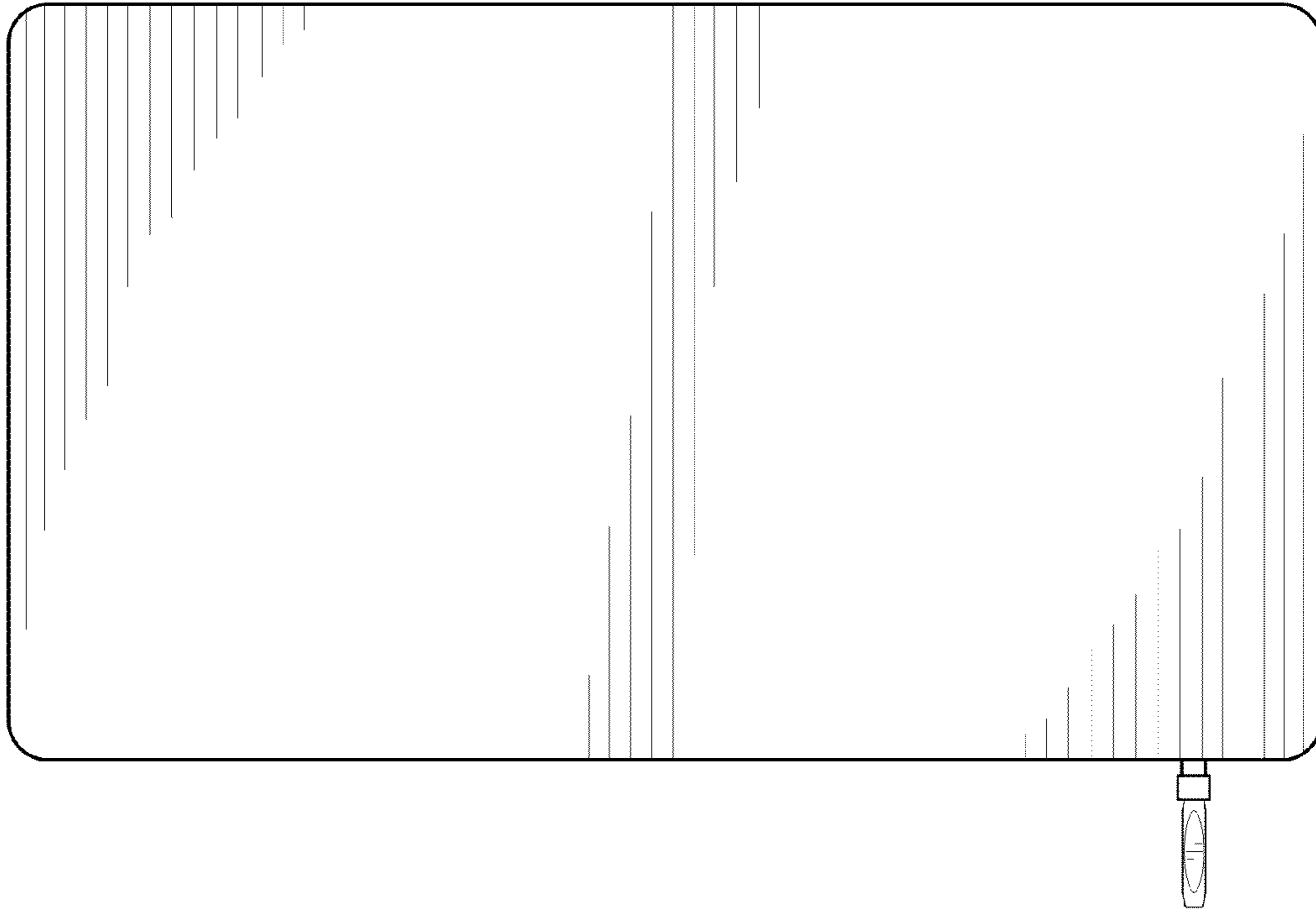


FIG. 6

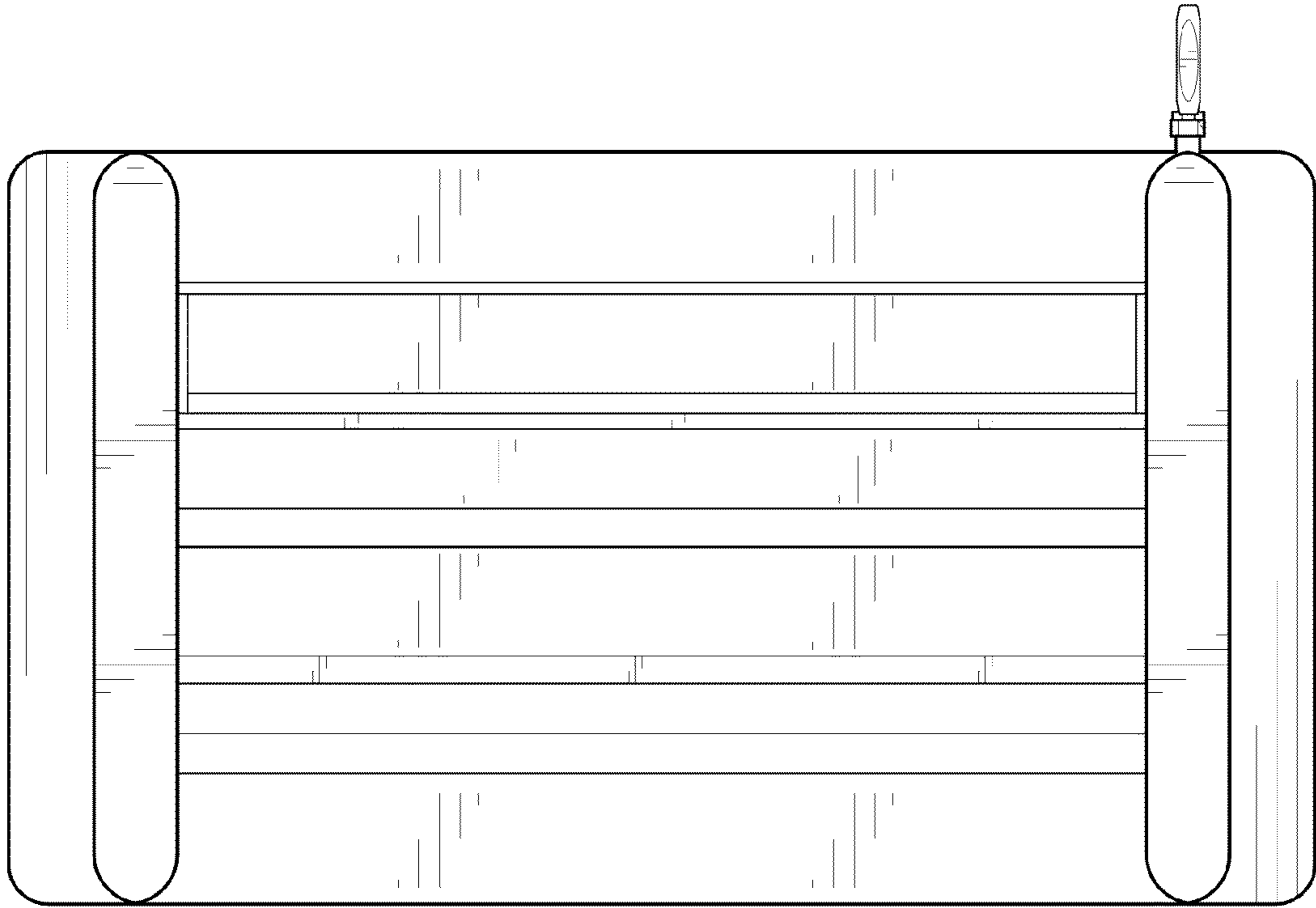


FIG. 7

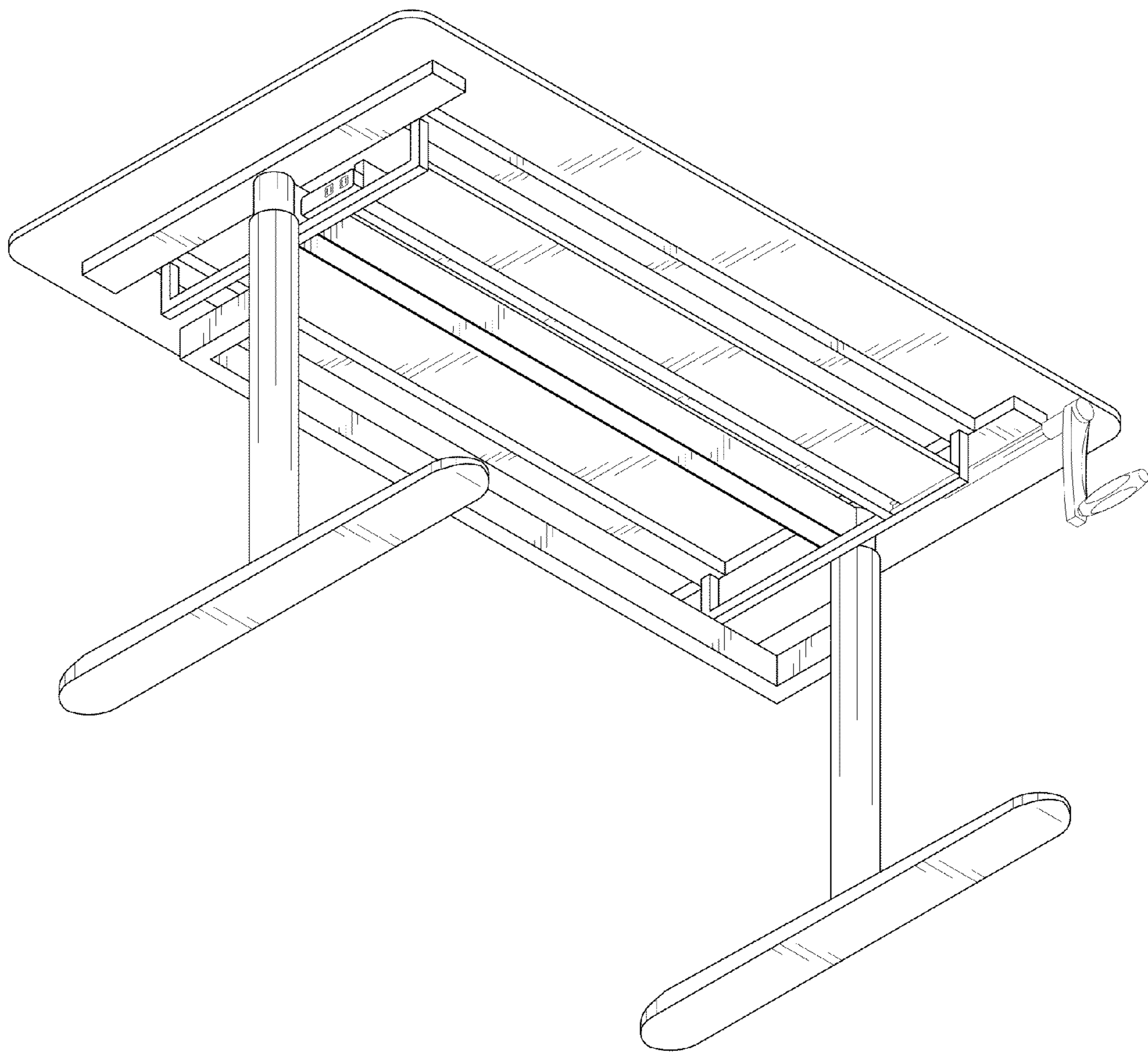


FIG. 8