



US00D732316S

(12) **United States Design Patent**
Matthai et al.

(10) **Patent No.:** **US D732,316 S**
(45) **Date of Patent:** **** Jun. 23, 2015**

(54) **TABLE**
(71) Applicants: **John Matthai**, Holland, MI (US); **Leon Ransmeier**, New York, NY (US)
(72) Inventors: **John Matthai**, Holland, MI (US); **Leon Ransmeier**, New York, NY (US)
(73) Assignee: **Herman Miller, Inc.**, Zeeland, MI (US)
(**) Term: **14 Years**

6,241,329 B1 6/2001 Nielsen
D445,606 S * 7/2001 Mourgue D6/480
6,431,512 B1 8/2002 Fox et al.
6,454,369 B1 9/2002 Cooper et al.
6,526,895 B1 3/2003 Kochanski et al.
6,626,686 B1 9/2003 D'Souza et al.
6,628,517 B1 9/2003 Helot et al.
6,655,646 B2 12/2003 Johnson
6,895,869 B2 5/2005 Lai
6,996,904 B1 2/2006 Howell
D554,909 S * 11/2007 Theemann D6/480

(Continued)

(21) Appl. No.: **29/457,248**

Primary Examiner — Janice Seeger

(22) Filed: **Jun. 7, 2013**

(74) Attorney, Agent, or Firm — Brinks Gilson & Lione

(51) **LOC (10) Cl.** **06-03**

(57) **CLAIM**

The ornamental design for a table, as shown and described.

(52) **U.S. Cl.**

USPC **D6/656.16**; D6/691.5

DESCRIPTION

(58) **Field of Classification Search**

USPC D6/641, 656, 656.1, 656.13, 656.14, D6/656.15, 656.16, 656.17, 708, 709, D6/709.2, 691.5; 108/50.01, 50.02; 248/188, 188.1, 188.8; 312/194–196

See application file for complete search history.

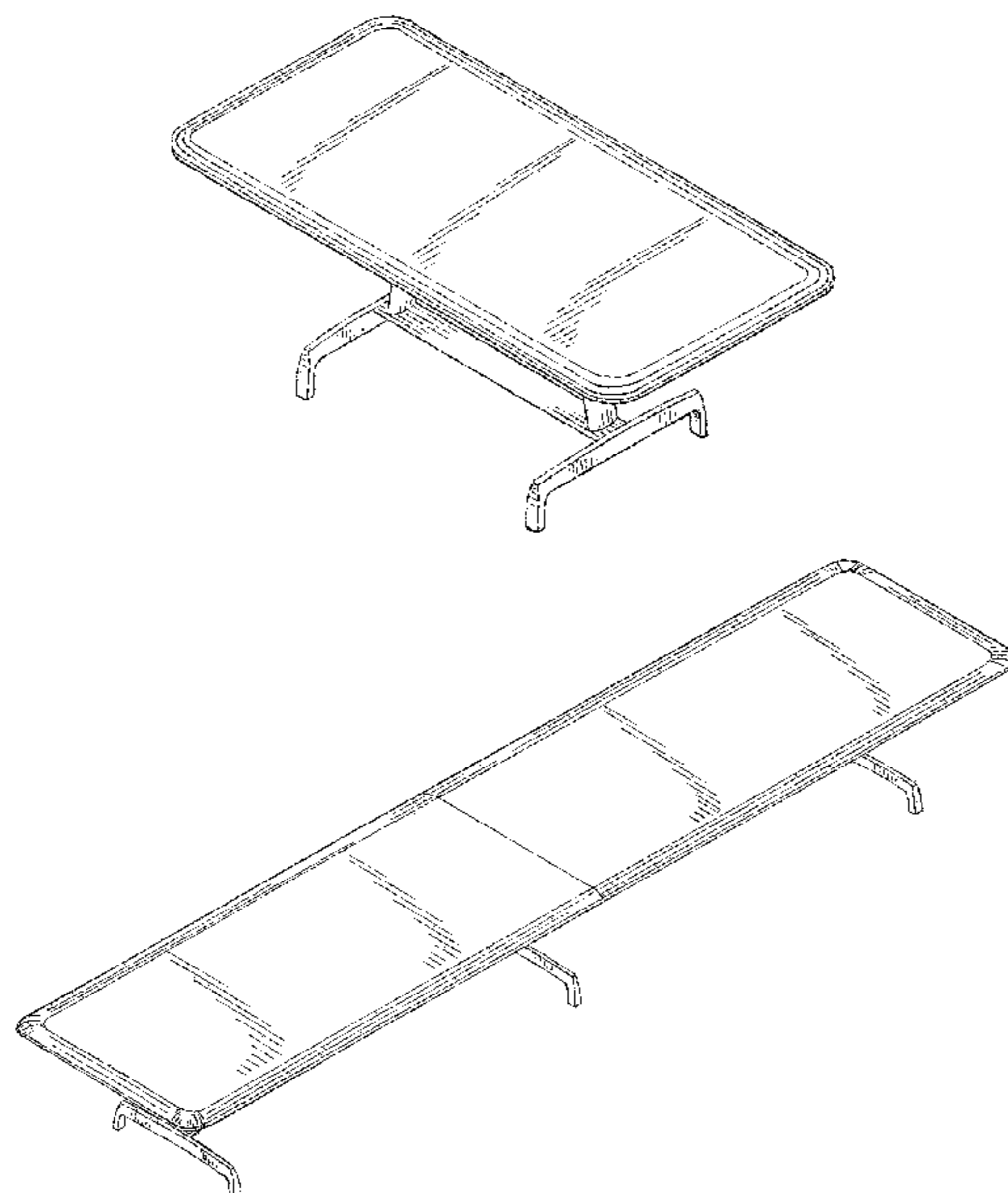
FIG. 1 is a perspective view of a first embodiment of a table; FIG. 2 is right side view of the table shown in FIG. 1, with a left side view being a mirror image thereof; FIG. 3 is a front view of the table shown in FIG. 1, with a rear view being a mirror image thereof; FIG. 4 is a top view of the table shown in FIG. 1; FIG. 5 is a bottom view of the table shown in FIG. 1; FIG. 6 is a perspective view of a second embodiment of a table; FIG. 7 is right side view of the table shown in FIG. 6, with a left side view being a mirror image thereof; FIG. 8 is a front view of the table shown in FIG. 6, with a rear view being a mirror image thereof; FIG. 9 is a top view of the table shown in FIG. 6; and, FIG. 10 is a bottom view of the table shown in FIG. 6. The broken lines outlining the understructure in FIGS. 5 and 10 are for environmental purposes only and do not form any part of the claimed design.

(56) **References Cited**

U.S. PATENT DOCUMENTS

2,695,831 A 11/1954 Sigel
2,860,021 A 11/1958 Steele
4,140,355 A 2/1979 Swain
4,176,889 A 12/1979 Gartung
4,337,709 A 7/1982 Nicholson
4,931,978 A 6/1990 Drake et al.
D322,729 S * 12/1991 Diffrient D6/487
5,526,756 A 6/1996 Watson
5,595,428 A 1/1997 Huang
5,752,449 A 5/1998 Simon et al.
6,082,838 A 7/2000 Bissu-Palombo
6,099,094 A 8/2000 Lior
6,202,568 B1 3/2001 Kochanski et al.

1 Claim, 4 Drawing Sheets



(56)

References Cited

U.S. PATENT DOCUMENTS

D573,812 S *	7/2008	Saotome	D6/480	8,172,604 B2	5/2012	Byrne	
D574,634 S *	8/2008	Saotome	D6/480	2003/0181091 A1	9/2003	Zodnik	
8,127,690 B2	3/2012	Baughman		2005/0263042 A1	12/2005	Martin et al.	
8,146,514 B2	4/2012	Hamilton et al.		2009/0293773 A1	12/2009	Miller et al.	
				2011/0297051 A1	12/2011	Martin et al.	
				2014/0053759 A1 *	2/2014	Matthai et al.	108/50.02

* cited by examiner

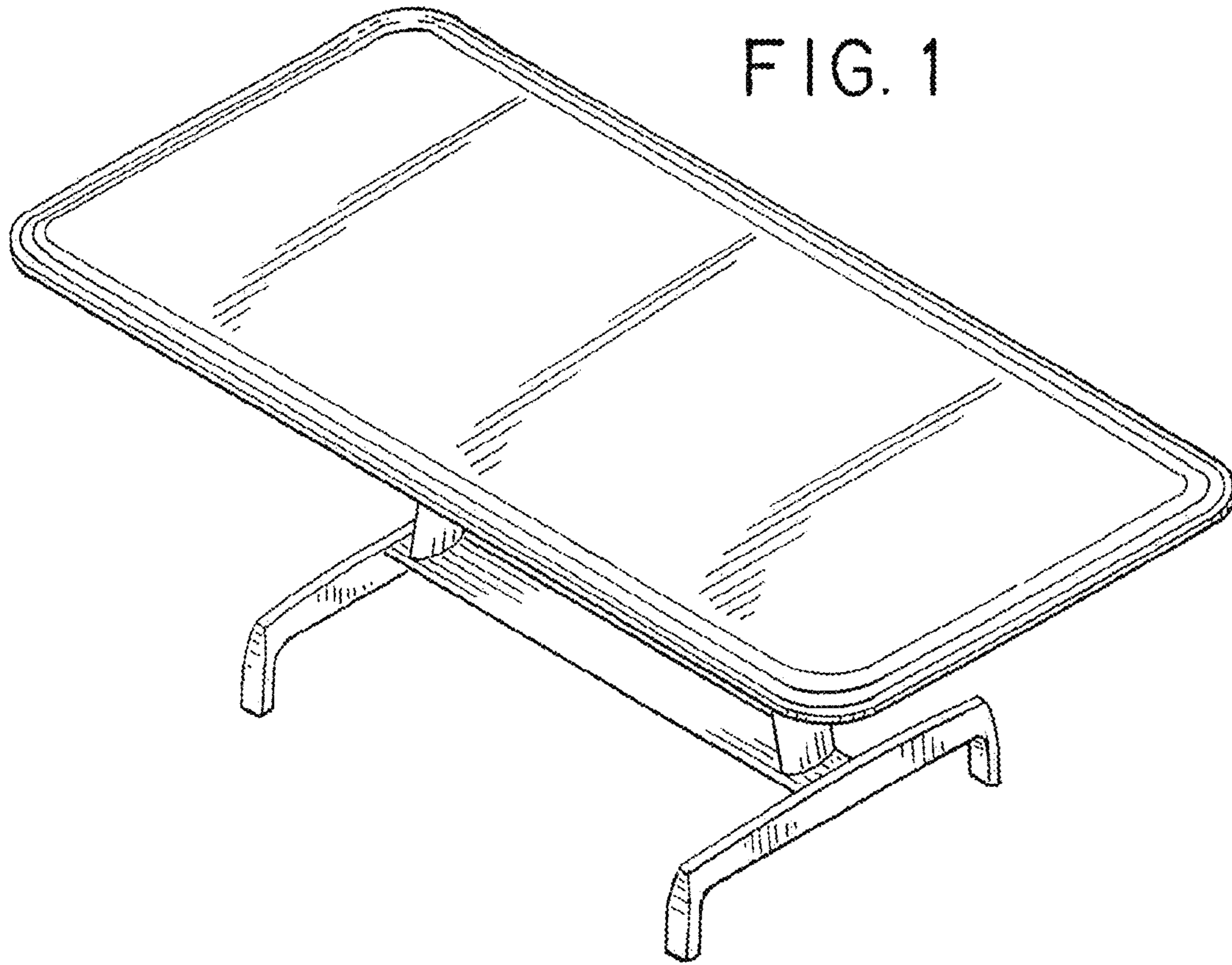


FIG. 2

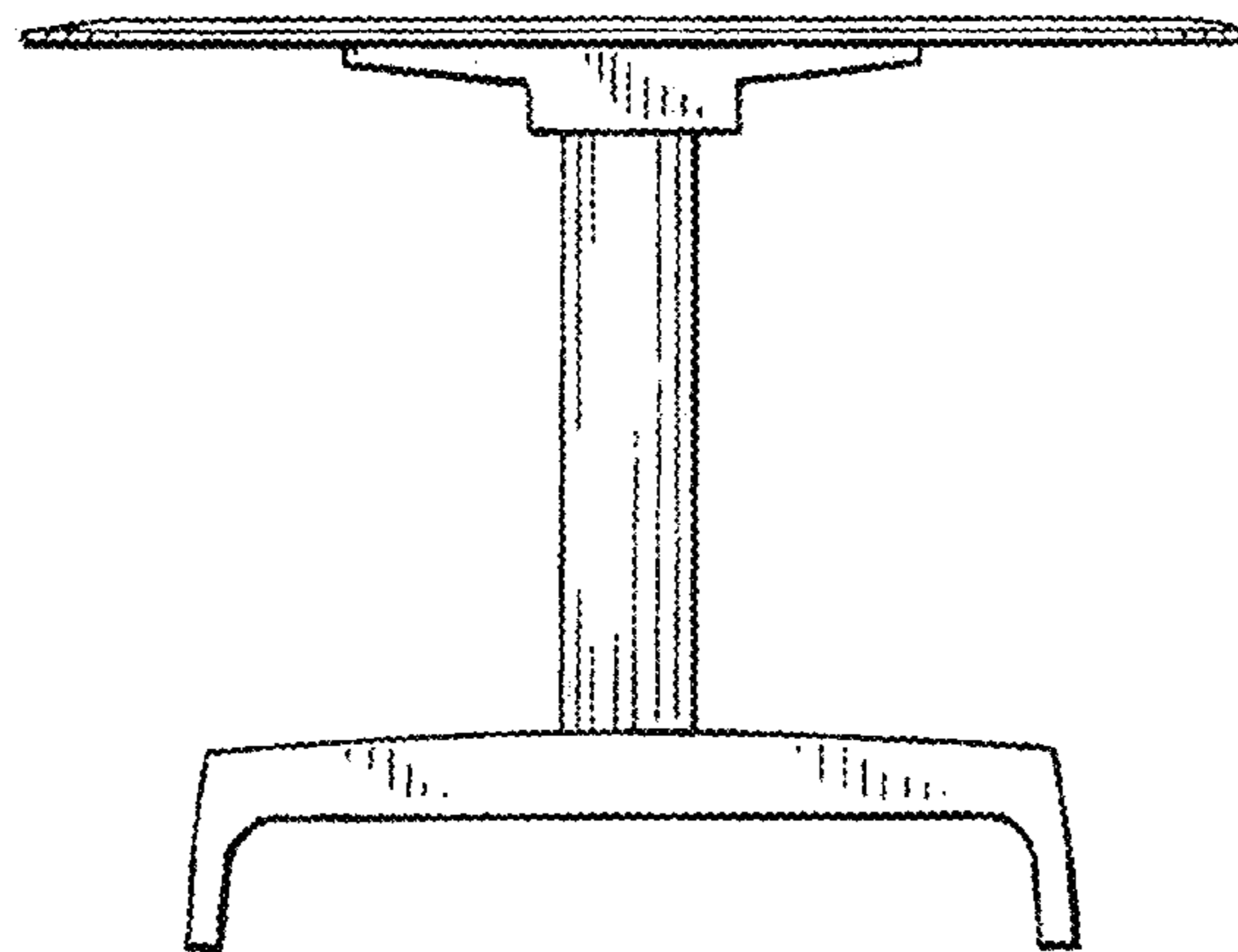


FIG. 4

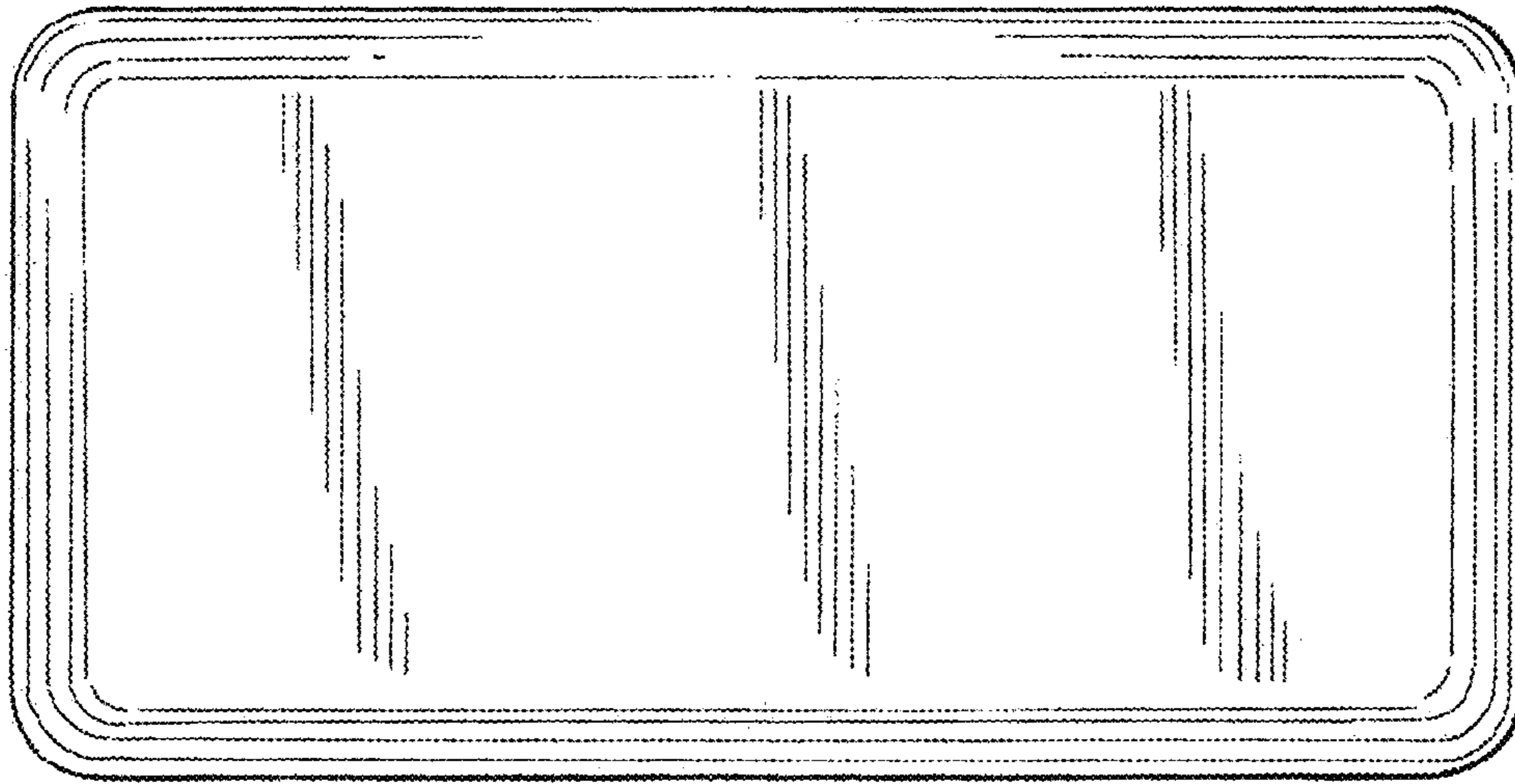


FIG. 3

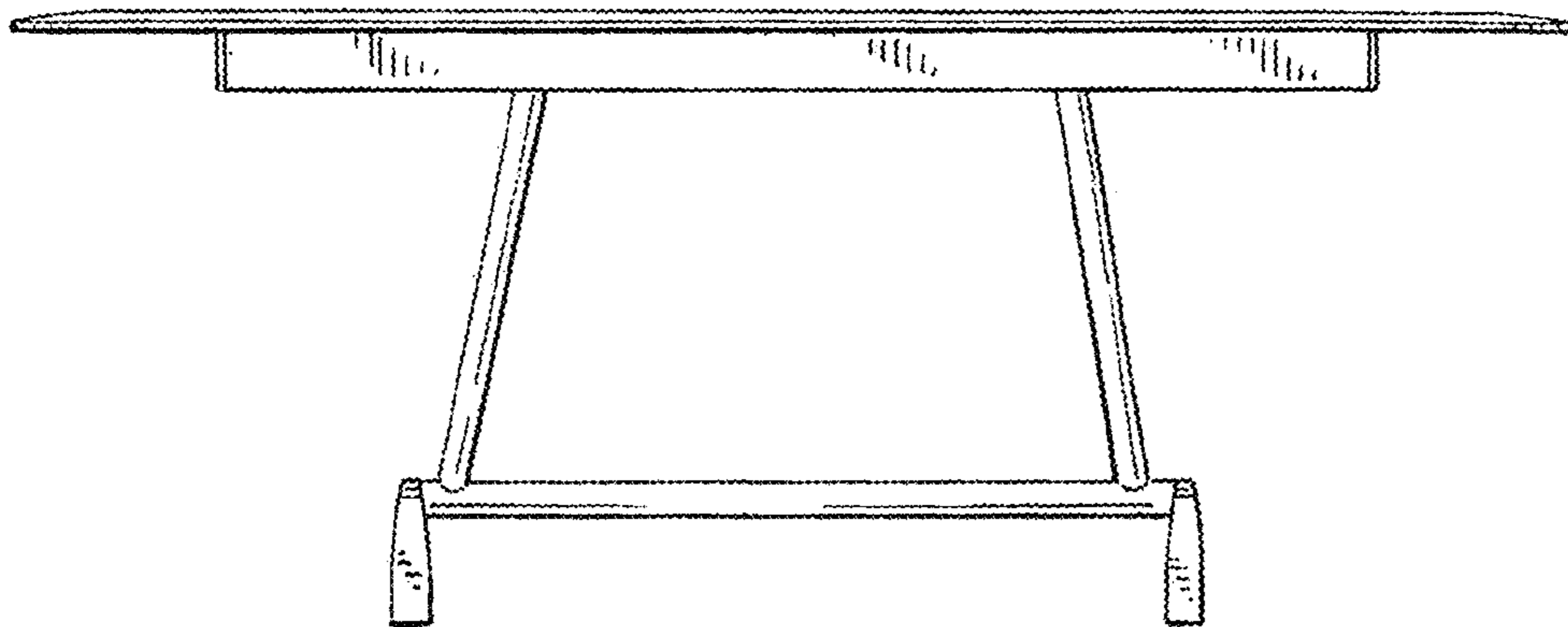
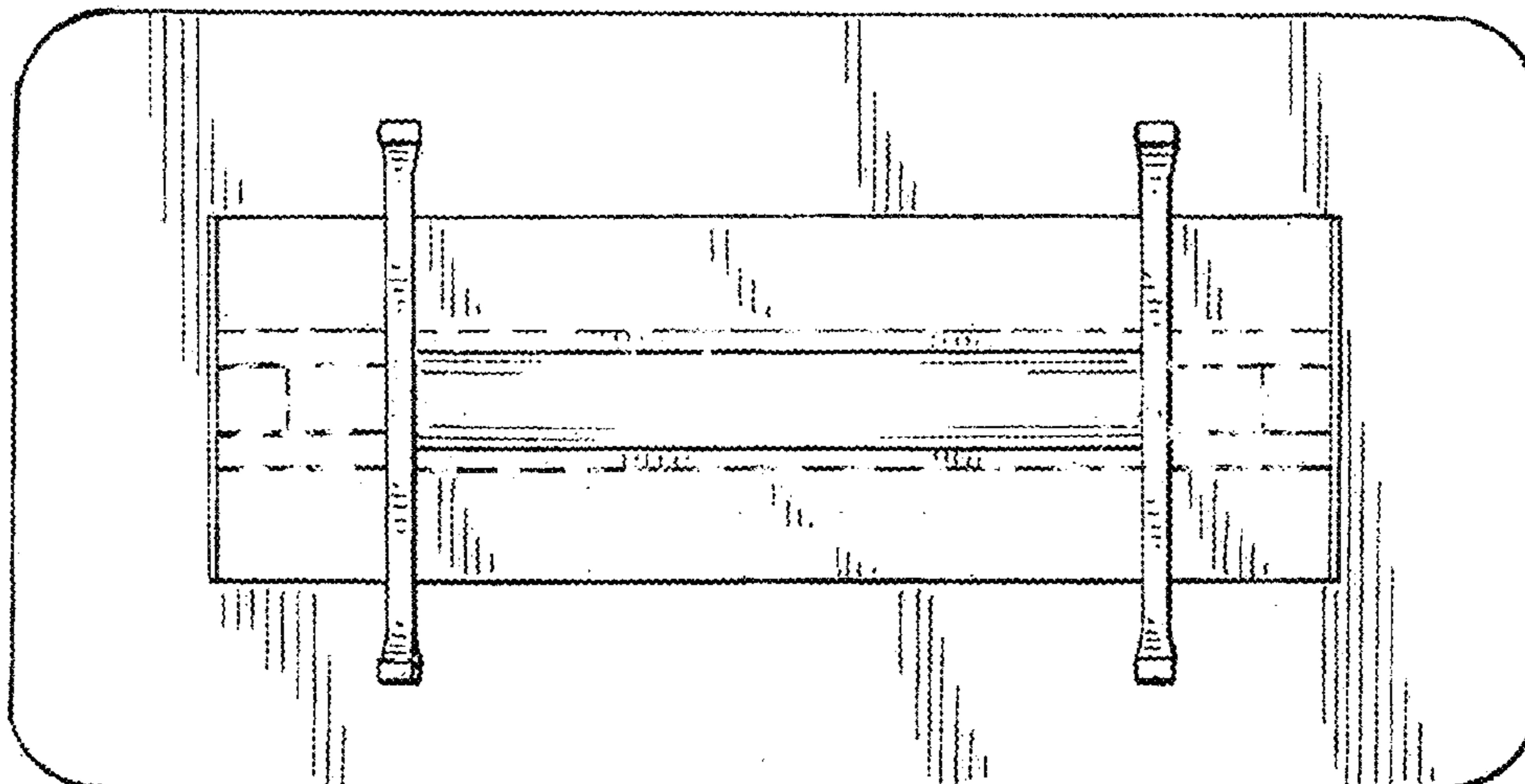


FIG. 5



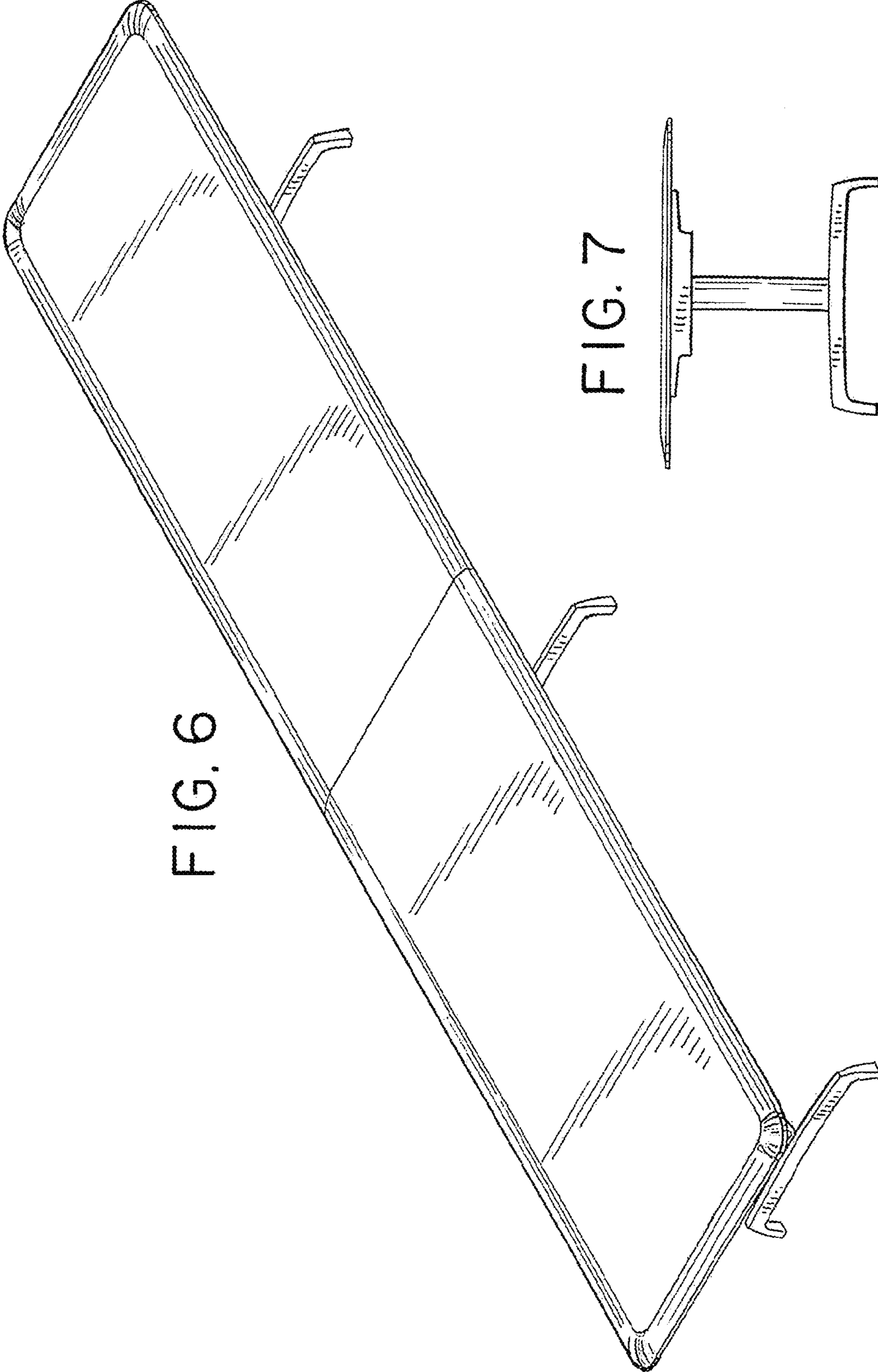


FIG. 6

FIG. 7

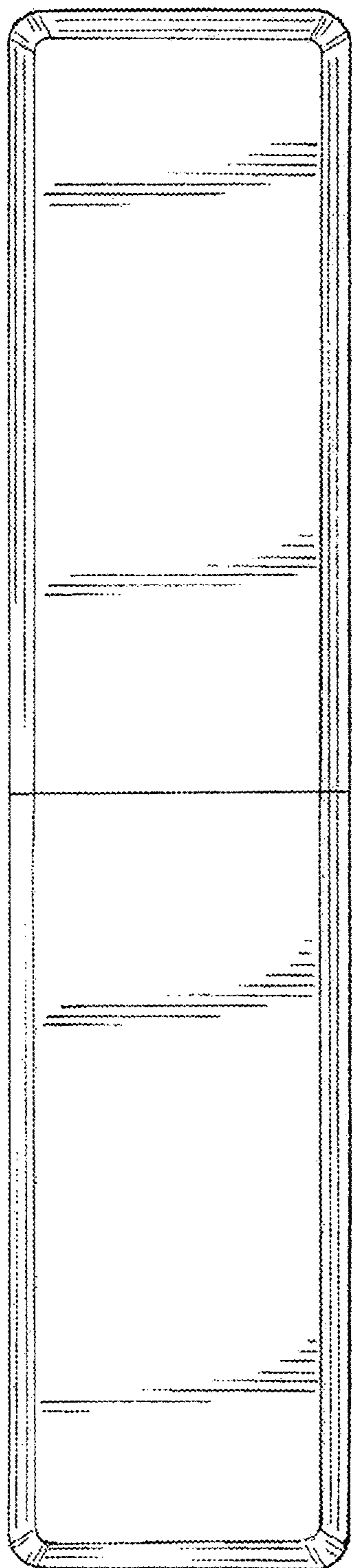


FIG. 9

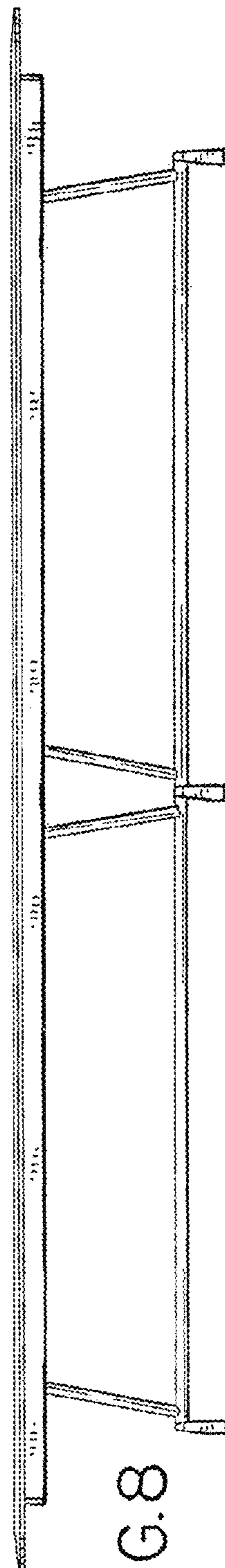


FIG. 8

FIG. 10

