



US00D732314S

(12) **United States Design Patent**
Fux

(10) **Patent No.:** **US D732,314 S**
(45) **Date of Patent:** **** Jun. 23, 2015**

(54) **MOLDED MEMORY FOAM PILLOW**

(71) Applicant: **Comfort Revolution, LLC**, West Long Beach, NJ (US)

(72) Inventor: **Michael Fux**, Fort Lauderdale, FL (US)

(**) Term: **14 Years**

(21) Appl. No.: **29/490,450**

(22) Filed: **May 9, 2014**

(51) **LOC (10) Cl.** **06-09**

(52) **U.S. Cl.**
USPC **D6/601**

(58) **Field of Classification Search**
USPC D6/595-601, 604, 606; 5/630, 632, 5/633, 636-645, 648, 652-655, 655.3, 5/655.7, 655.9; D24/183, 190; D30/118; D21/803, 809
CPC A47C 20/00; A47C 20/021; A47D 15/001; A47D 15/008; A47G 9/00; A47G 9/10
See application file for complete search history.

(56) **References Cited**

U.S. PATENT DOCUMENTS

1,385,355	A *	7/1921	Banks	5/636
2,013,481	A *	9/1935	Stonehill	5/640
2,556,629	A *	6/1951	O'Brien	5/638
4,876,755	A *	10/1989	Parrish	297/284.3
D341,509	S *	11/1993	Evans	D6/502
D343,756	S *	2/1994	Sher	D6/601
5,367,730	A *	11/1994	Sher	5/655

5,408,714	A *	4/1995	Lemke	5/653
D422,829	S *	4/2000	Kritzinger	D6/595
D638,646	S *	5/2011	Penza	D6/601
2002/0069464	A1 *	6/2002	Welsh	5/653
2006/0143830	A1 *	7/2006	Bair	5/630
2012/0124749	A1 *	5/2012	Lewman	5/653
2014/0284988	A1 *	9/2014	Gefen	297/452.41

* cited by examiner

Primary Examiner — Mary Ann Calabrese

(74) *Attorney, Agent, or Firm* — Doherty IP Law Group LLC

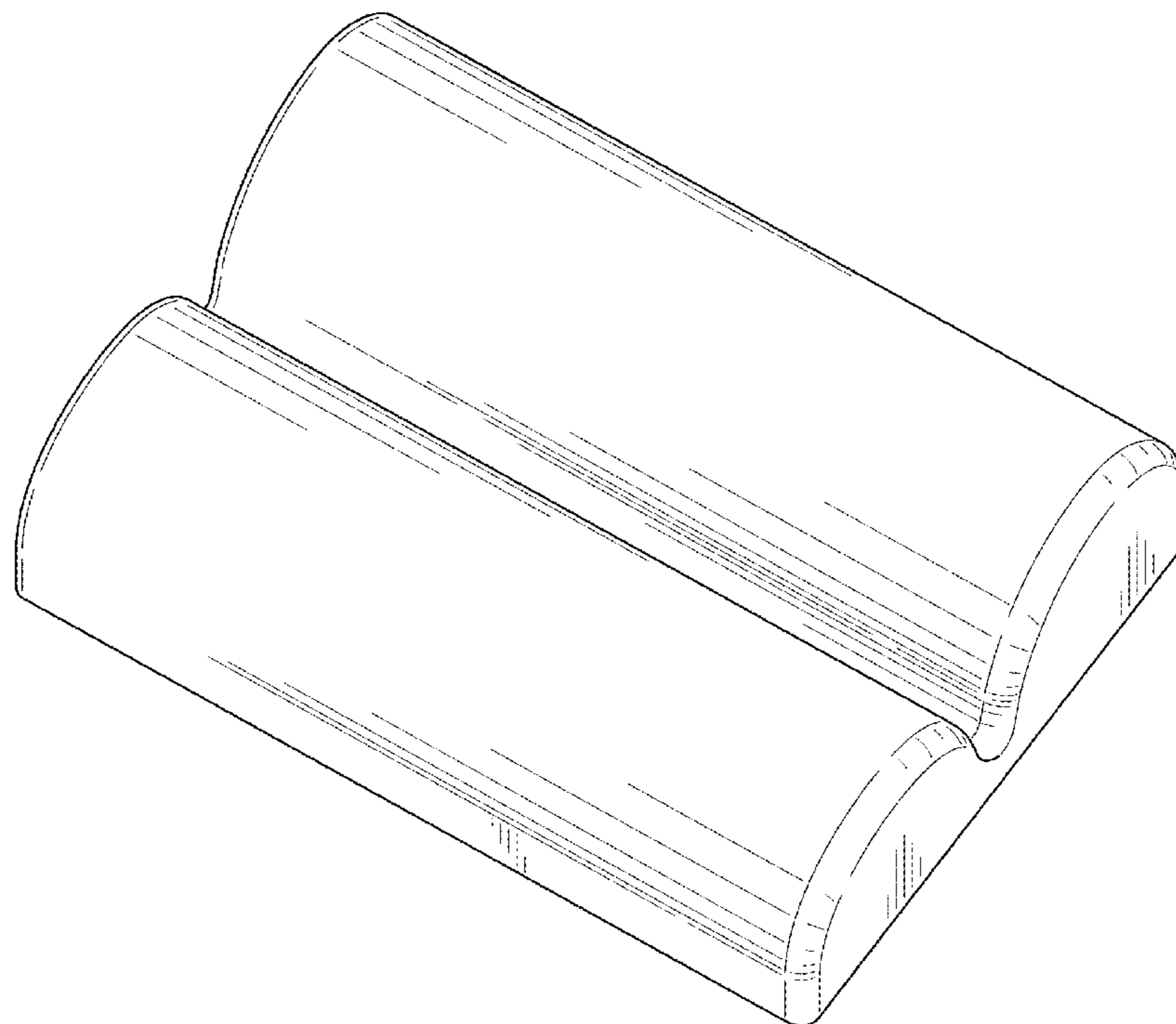
(57) **CLAIM**

The ornamental design for a molded memory foam pillow, as shown and described.

DESCRIPTION

FIG. 1 is a perspective view of a molded memory foam pillow, showing my new design;
FIG. 2 is a top plan view of the molded memory foam pillow shown in FIG. 1;
FIG. 3 is a bottom view of the molded memory foam pillow shown in FIG. 1;
FIG. 4 is a front view of the molded memory foam pillow shown in FIG. 1;
FIG. 5 is a rear view of the molded memory foam pillow shown in FIG. 1;
FIG. 6 is a right side view of the molded memory foam pillow shown in FIG. 1; and,
FIG. 7 is a left side view of the molded memory foam pillow shown in FIG. 1.

1 Claim, 3 Drawing Sheets



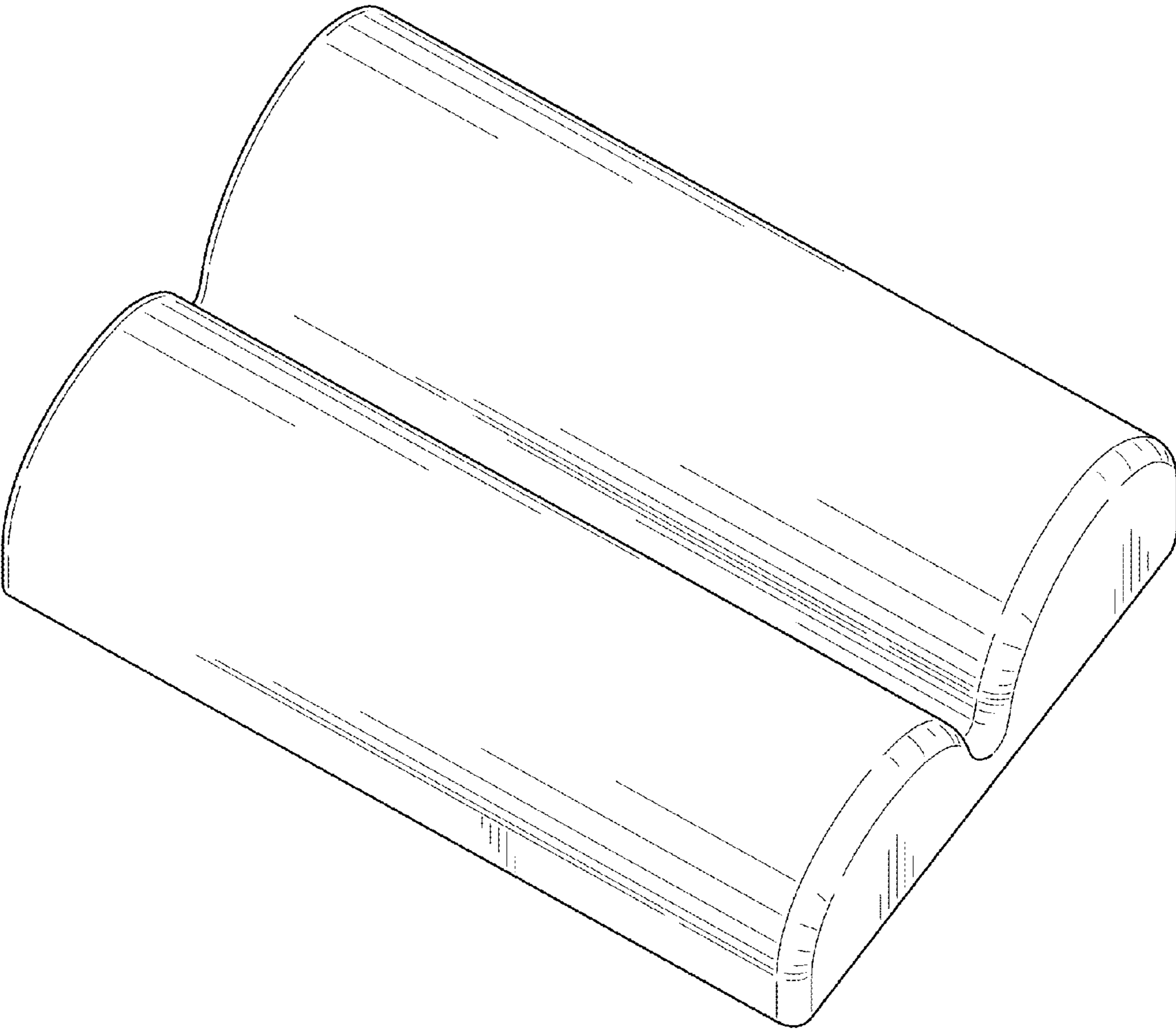


FIG. 1



FIG. 2



FIG. 3

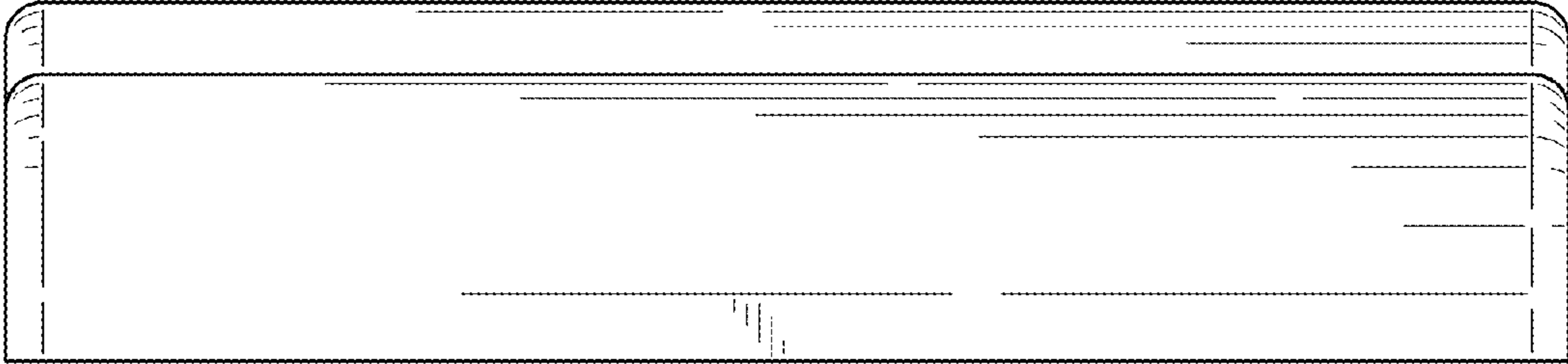


FIG. 4

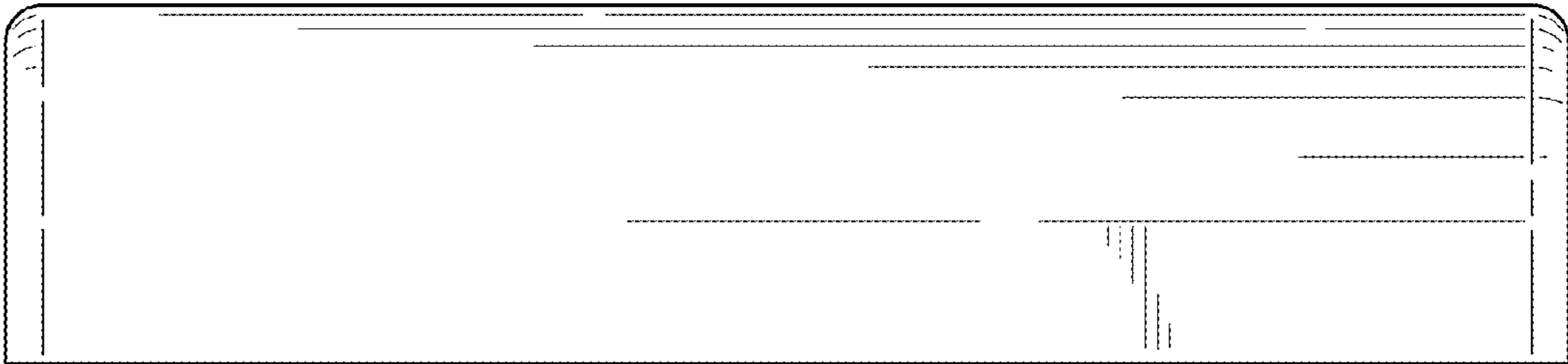


FIG. 5

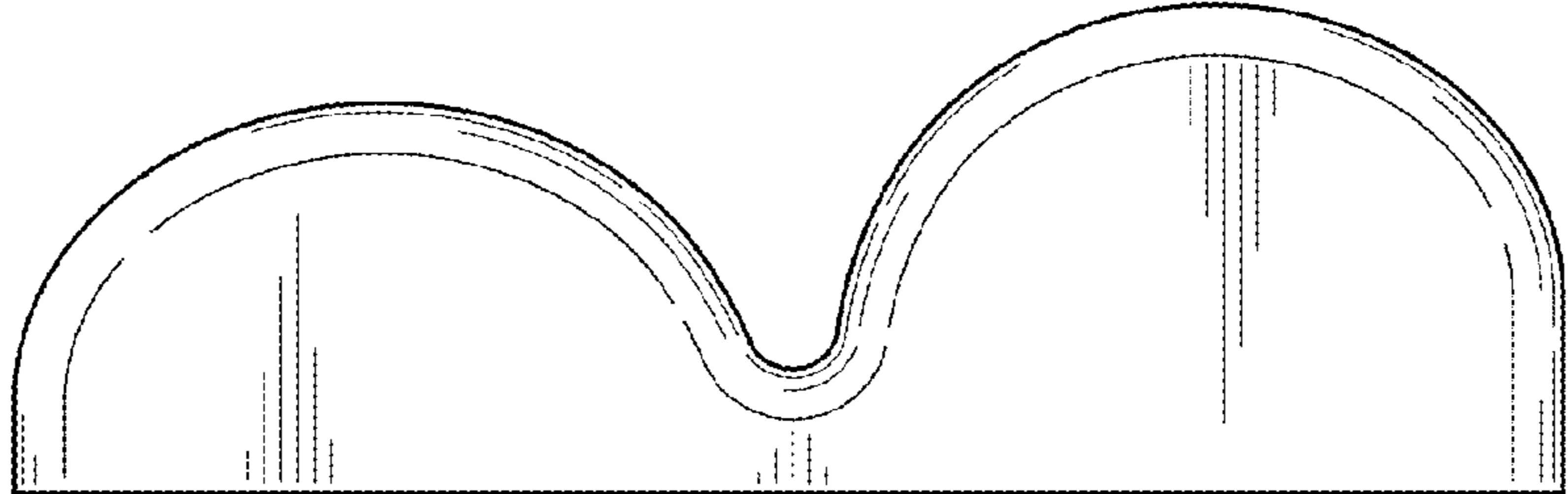


FIG. 6

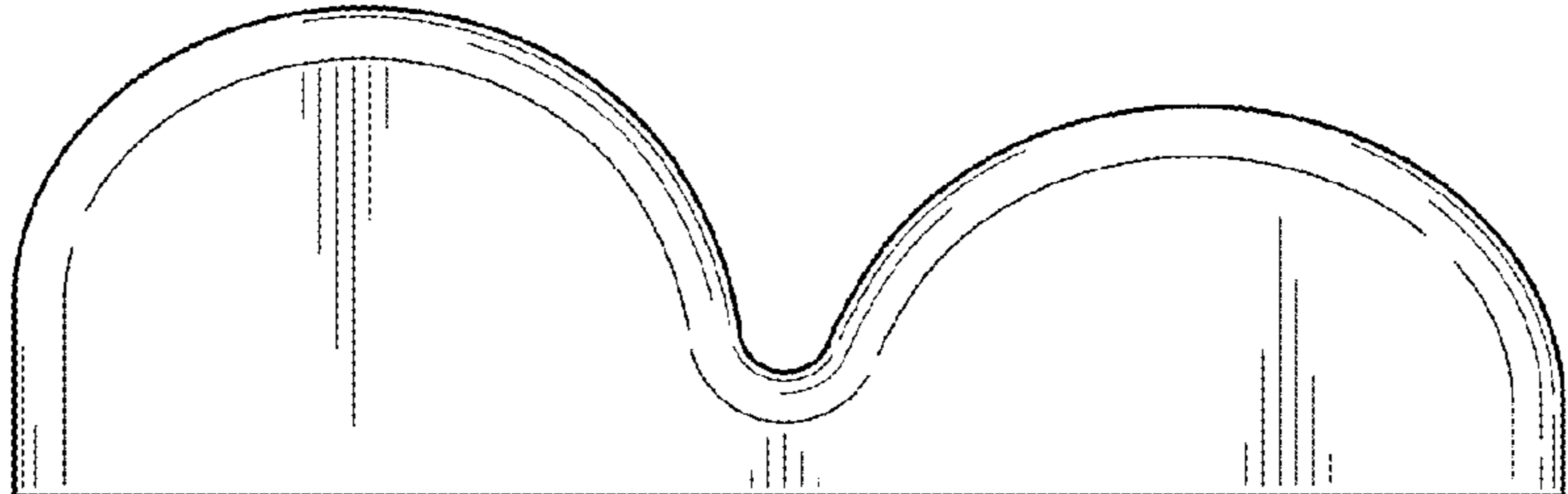


FIG. 7