



US00D732310S

(12) **United States Design Patent**  
**Lea**

(10) **Patent No.:** **US D732,310 S**  
(45) **Date of Patent:** **\*\* Jun. 23, 2015**

(54) **TABLE**

- (71) Applicant: **Zodiac Seats UK Limited**, Cwmbran (GB)
- (72) Inventor: **Peter James Lea**, Hereford (GB)
- (73) Assignee: **Zodiac Seats UK Limited**, Cwmbran, Wales (GB)
- (\*\*) Term: **14 Years**
- (21) Appl. No.: **29/475,761**
- (22) Filed: **Dec. 6, 2013**
- (51) **LOC (10) Cl.** ..... **06-04**
- (52) **U.S. Cl.**  
USPC ..... **D6/555**
- (58) **Field of Classification Search**  
USPC ..... D6/553, 555, 567, 569; 312/114, 126,  
312/128-129, 204, 231, 234, 242, 245;  
211/13.1, 14, 88.01, 134, 126.1  
See application file for complete search history.

(56) **References Cited**

**U.S. PATENT DOCUMENTS**

- D164,980 S \* 10/1951 Boggs ..... D6/555
  - 3,773,381 A 11/1973 Brennan
- (Continued)

**FOREIGN PATENT DOCUMENTS**

- DE 4237855 C1 4/1994
  - EP 1172252 A1 1/2002
- (Continued)

**OTHER PUBLICATIONS**

International Search Report dated Nov. 25, 2013 in Application No. PCT/GB2013/051481, 4 pages.  
(Continued)

*Primary Examiner* — Brian N Vinson  
(74) *Attorney, Agent, or Firm* — Kilpatrick Townsend & Stockton LLP; Dean W. Russell; Tiffany L. Williams

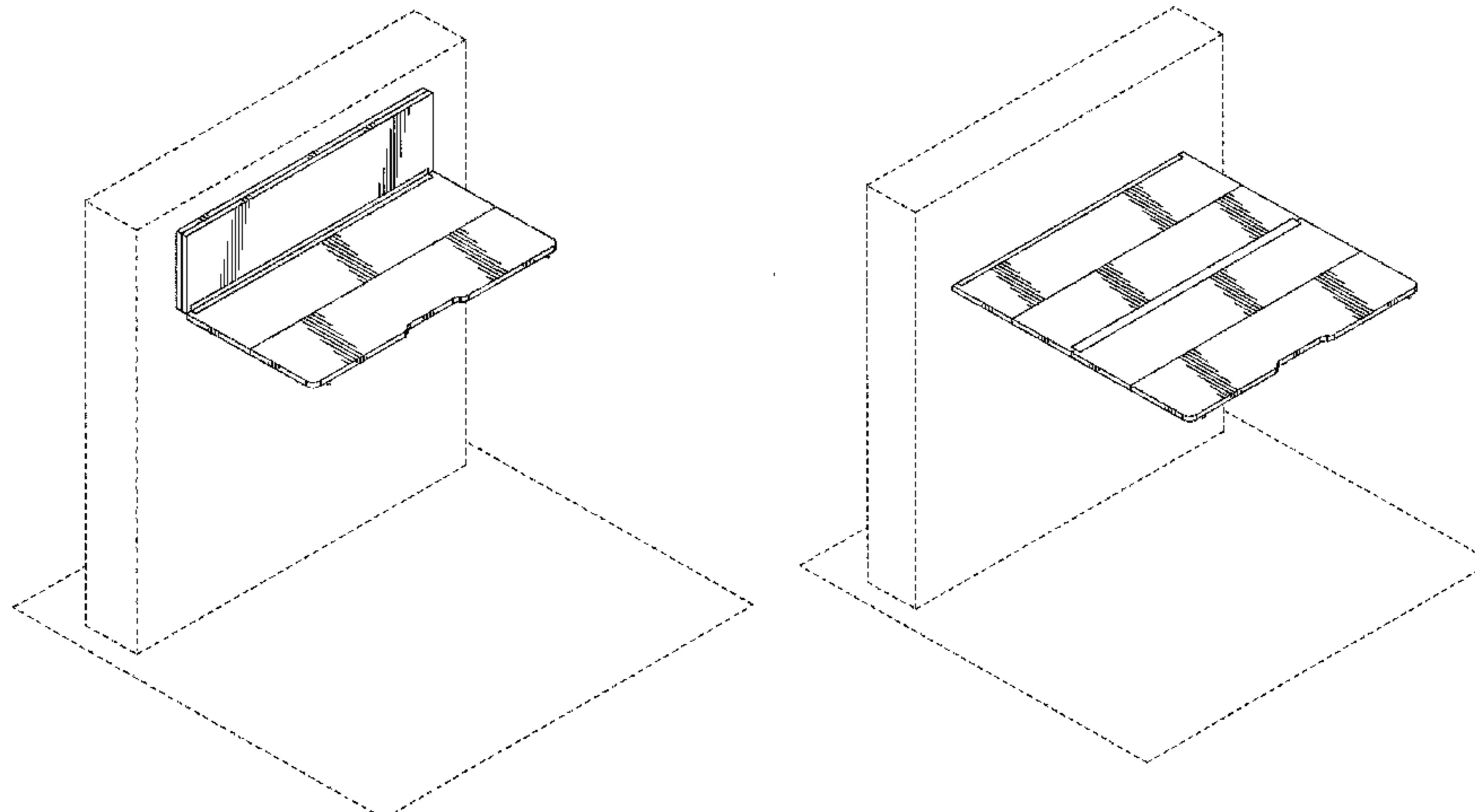
(57) **CLAIM**

The ornamental design for a table, as shown and described.

**DESCRIPTION**

FIG. 1 is a perspective view of a table, shown mounted to a wall and in a collapsed configuration.  
 FIG. 2 is a left side view of the table of FIG. 1, the right side view being a mirror image of the left side view.  
 FIG. 3 is a bottom view of the table of FIG. 1.  
 FIG. 4 is a left side view of the table of FIG. 1, shown in a partially extended configuration, the right side view being a mirror image of the left side view.  
 FIG. 5 is a bottom view of the table of FIG. 4.  
 FIG. 6 is a perspective view of the table of FIG. 1, shown in another partially extended configuration.  
 FIG. 7 is a left side view of the table of FIG. 6, the right side view being a mirror image of the left side view.  
 FIG. 8 is a bottom view of the table of FIG. 6.  
 FIG. 9 is a left side view of the table of FIG. 1, shown in another partially extended configuration, the right side view being a mirror image of the left side view.  
 FIG. 10 is a bottom view of the table of FIG. 9.  
 FIG. 11 is a perspective view of the table of FIG. 1, shown in a fully extended configuration.  
 FIG. 12 is a left side view of the table of FIG. 11, the right side view being a mirror image of the left side view.  
 FIG. 13 is a bottom view of the table of FIG. 11.  
 FIG. 14 is a front view of the table of FIG. 1, shown in a fully extended configuration.  
 FIG. 15 is a left side view of the table of FIG. 14.  
 FIG. 16 is a right side view of the table of FIG. 14.  
 FIG. 17 is a top view of the table of FIG. 14.  
 FIG. 18 is a bottom view of the table of FIG. 14.  
 FIG. 19 is a front view of the table of FIG. 1, shown in a fully collapsed configuration.  
 FIG. 20 is a left side view of the table of FIG. 19.  
 FIG. 21 is a right side view of the table of FIG. 19.  
 FIG. 22 is a top view of the table of FIG. 19; and,  
 FIG. 23 is a bottom view of the table of FIG. 19.  
 Portions of the table not shown in the drawings or shown in broken lines form no part of the claimed design.

**1 Claim, 19 Drawing Sheets**



(56)

**References Cited**

U.S. PATENT DOCUMENTS

D295,007 S \* 4/1988 Hardy et al. .... D6/555  
D344,869 S \* 3/1994 Paradis et al. .... D6/555  
D422,826 S \* 4/2000 Wenger et al. .... D6/553  
D457,027 S \* 5/2002 Muller et al. .... D6/574  
D583,176 S \* 12/2008 Bochner et al. .... D6/555  
7,506,923 B1 3/2009 Gauss  
D604,080 S \* 11/2009 Stolp ..... D6/555  
2002/0170470 A1 11/2002 Cheng  
2006/0220425 A1 10/2006 Becker et al.  
2008/0061575 A1 3/2008 Mahaffy

FOREIGN PATENT DOCUMENTS

GB 1600744 A 10/1981  
GB 2503027 A 12/2013  
WO 2011089558 A1 7/2011  
WO 2013186531 A1 12/2013

OTHER PUBLICATIONS

Search Report dated Oct. 12, 2012 in Application No. GB1210646.4,  
3 pages.

\* cited by examiner

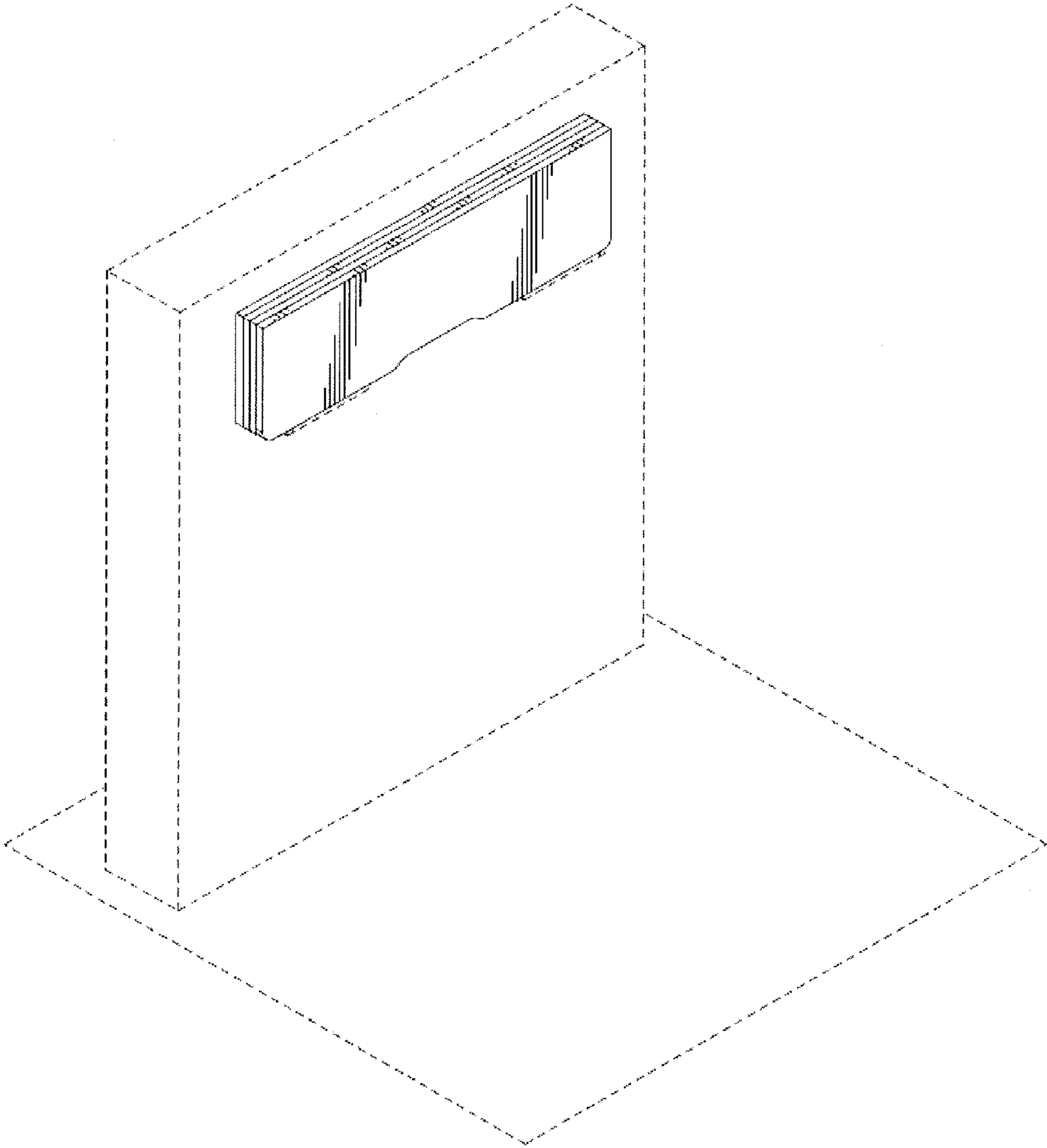


Figure 1

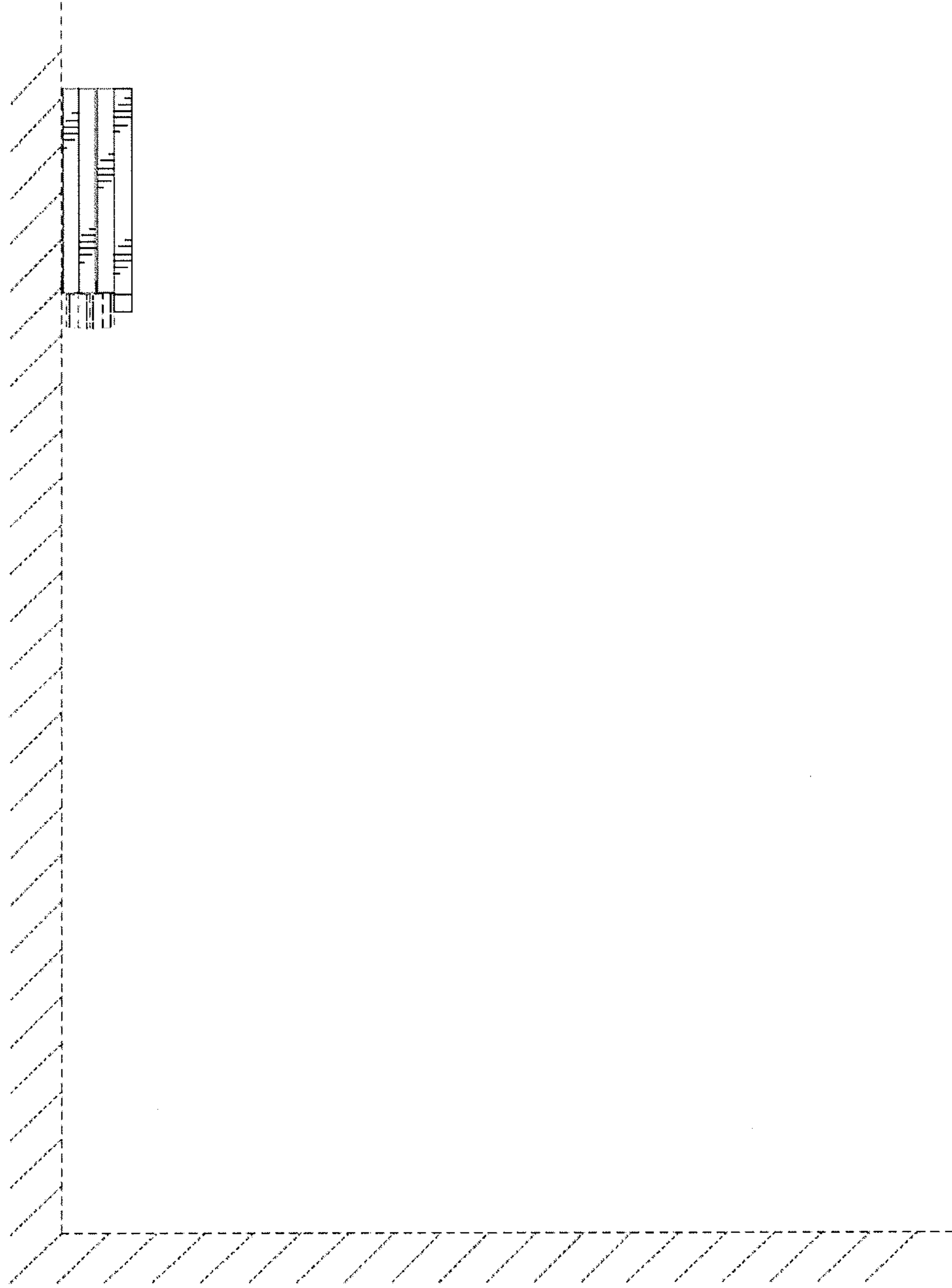


Figure 2

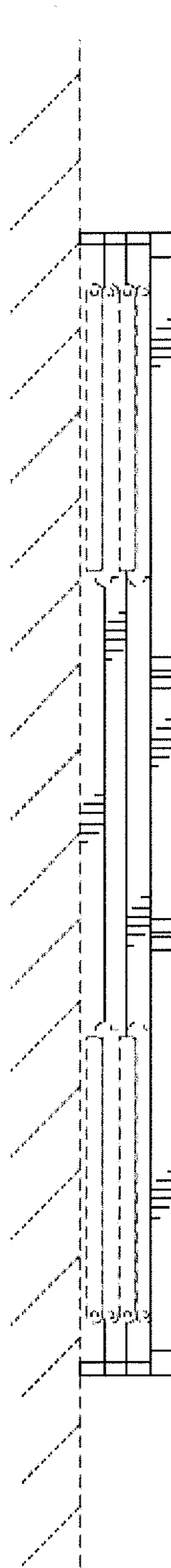


Figure 3

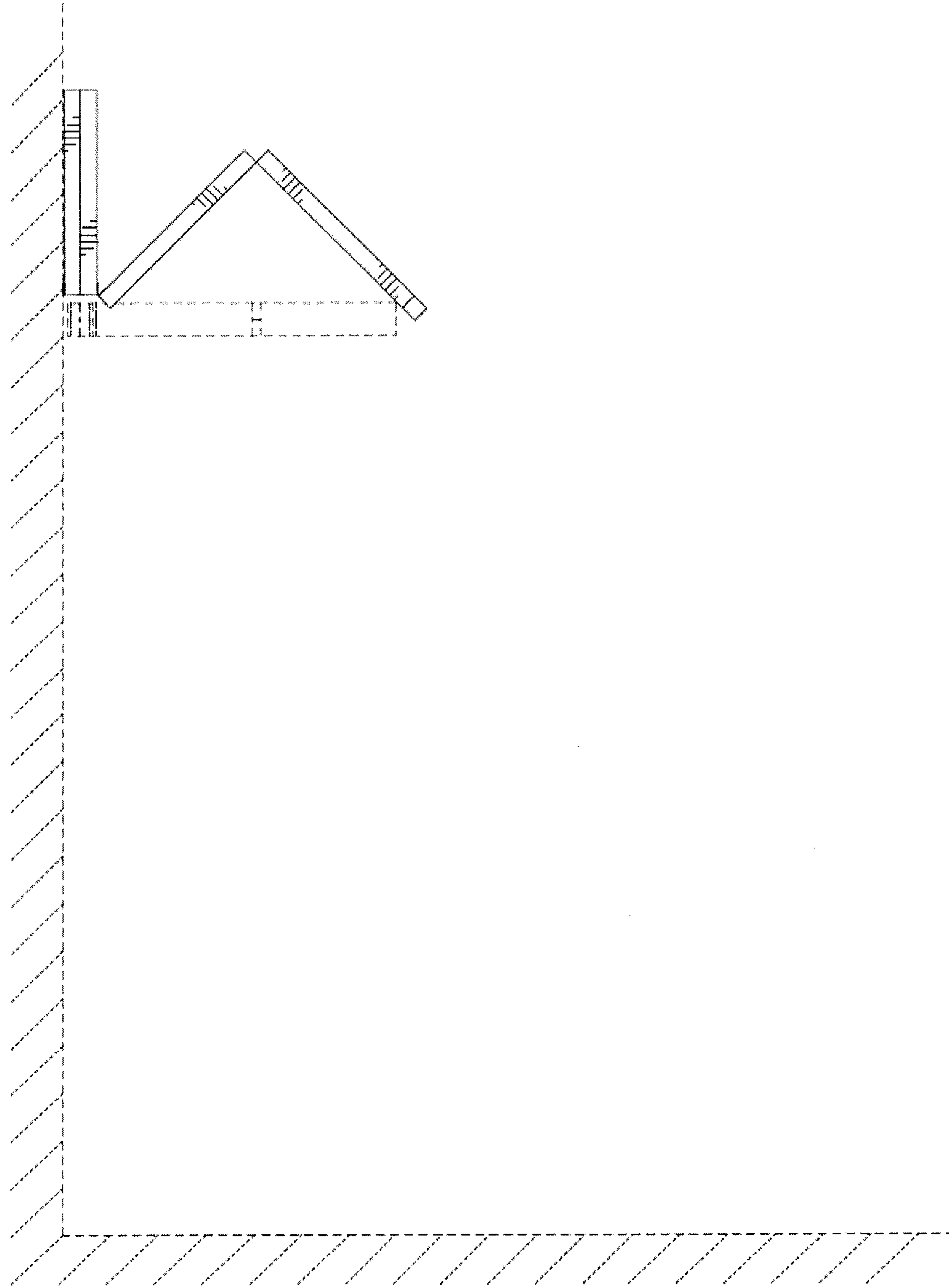


Figure 4

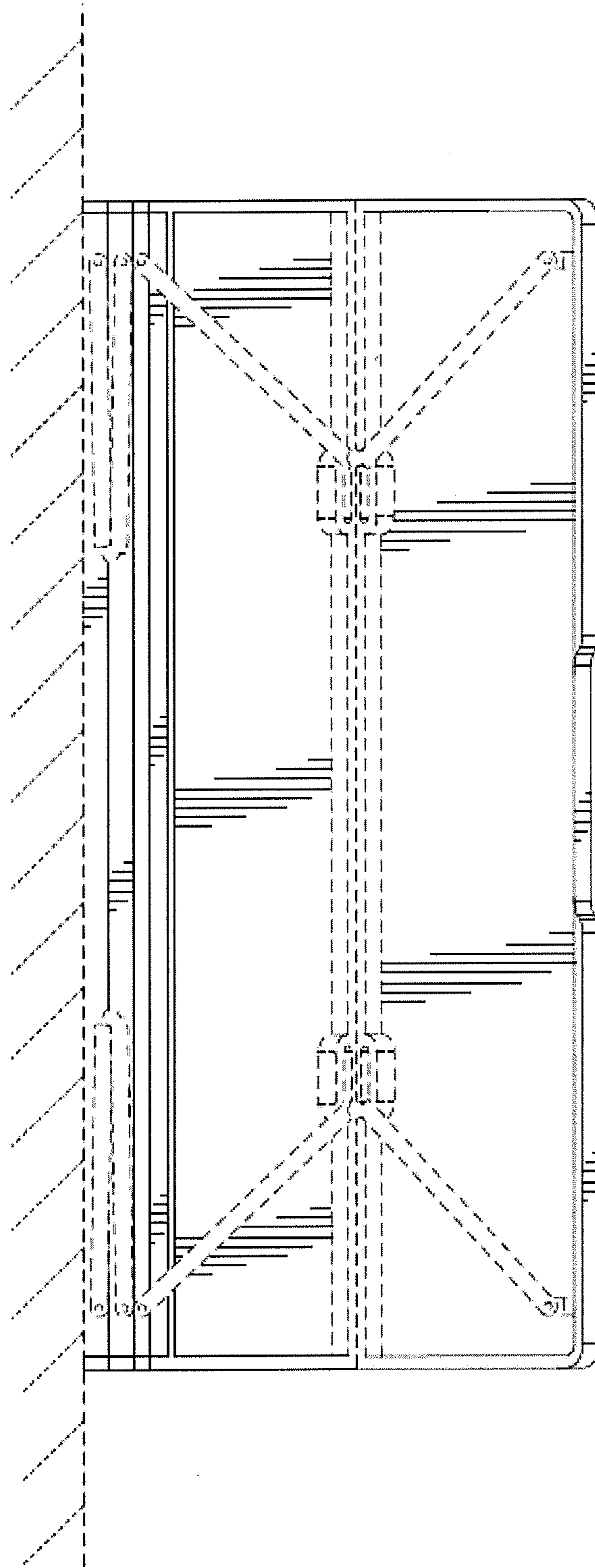


Figure 5

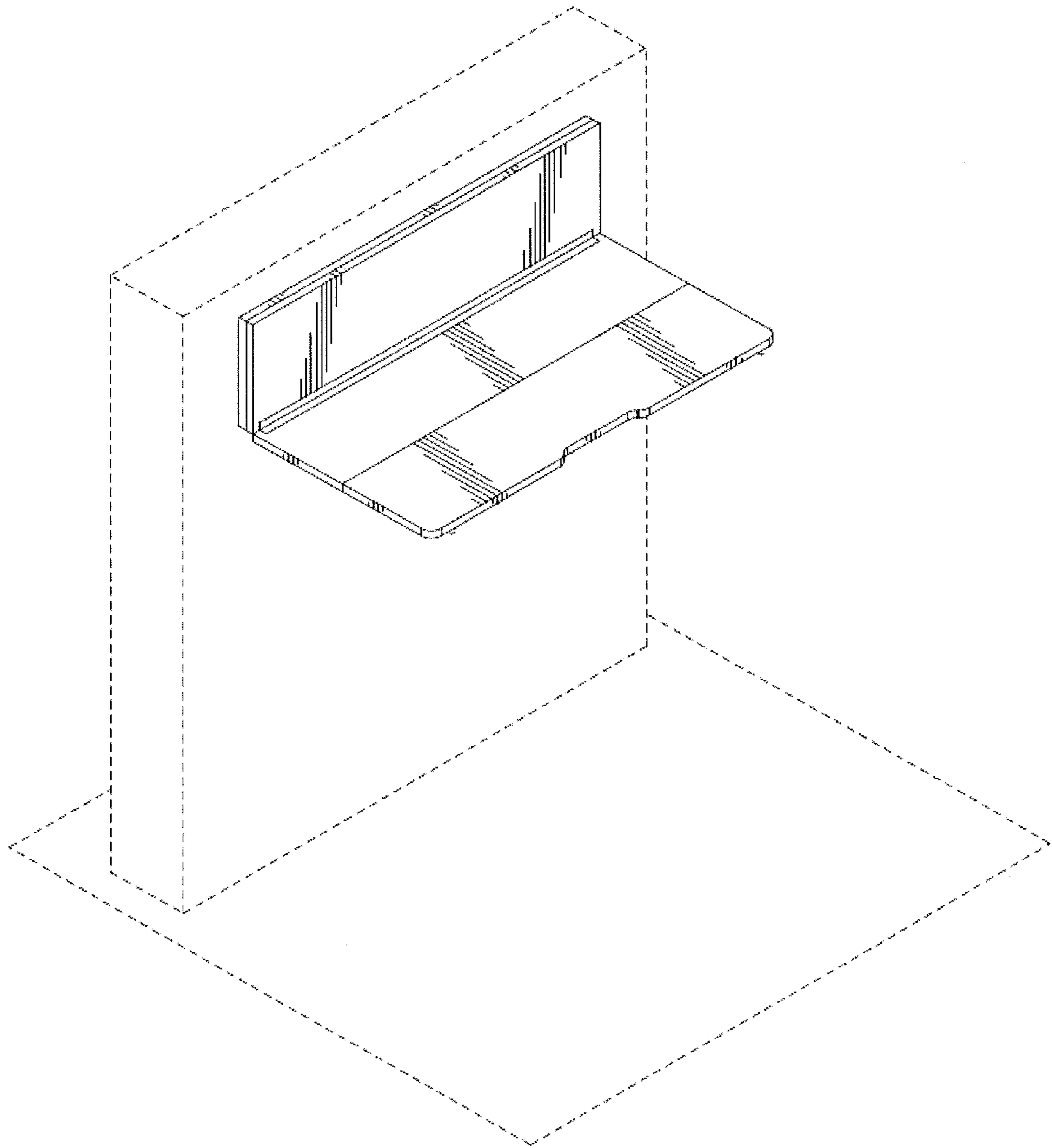


Figure 6



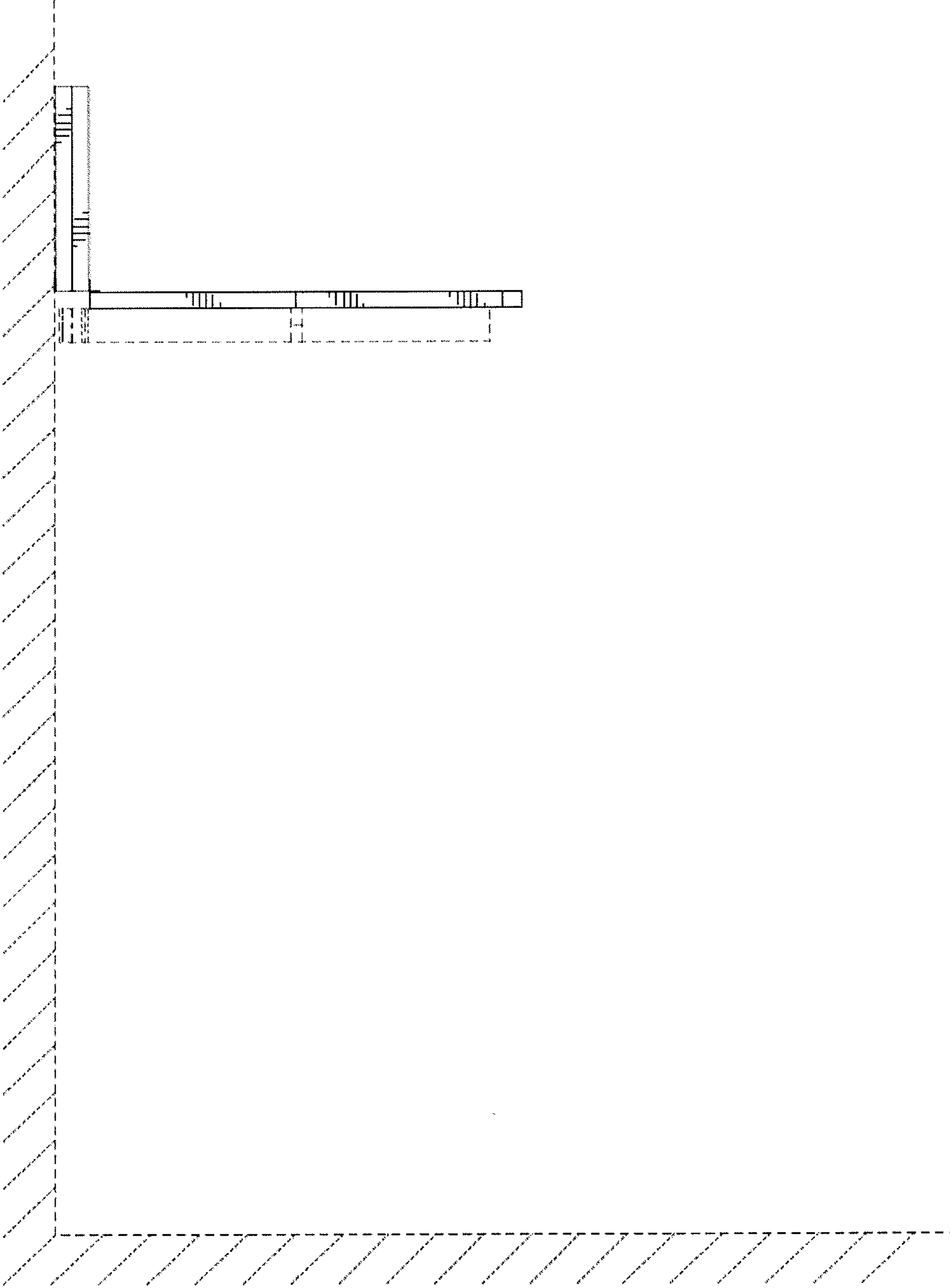


Figure 7

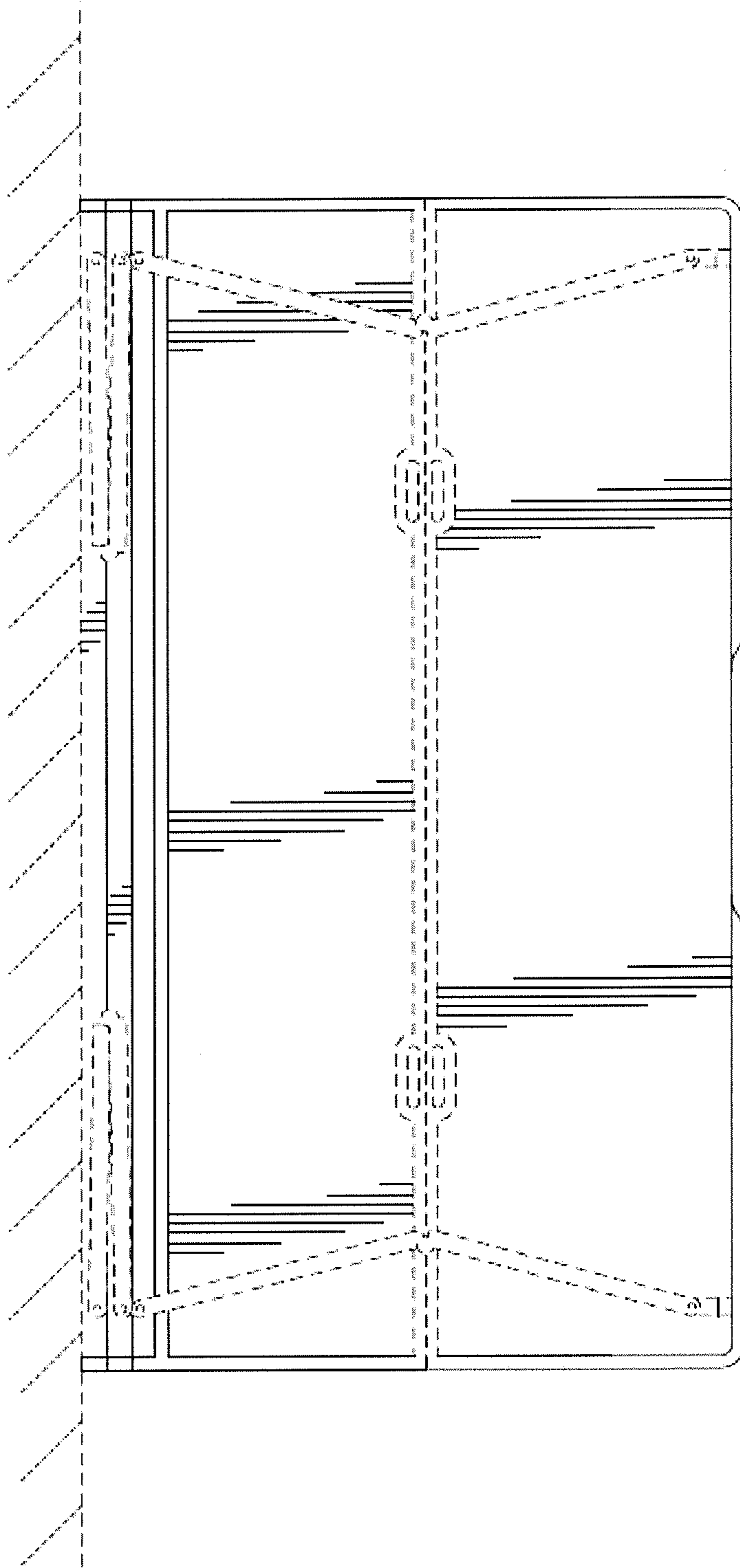


Figure 8

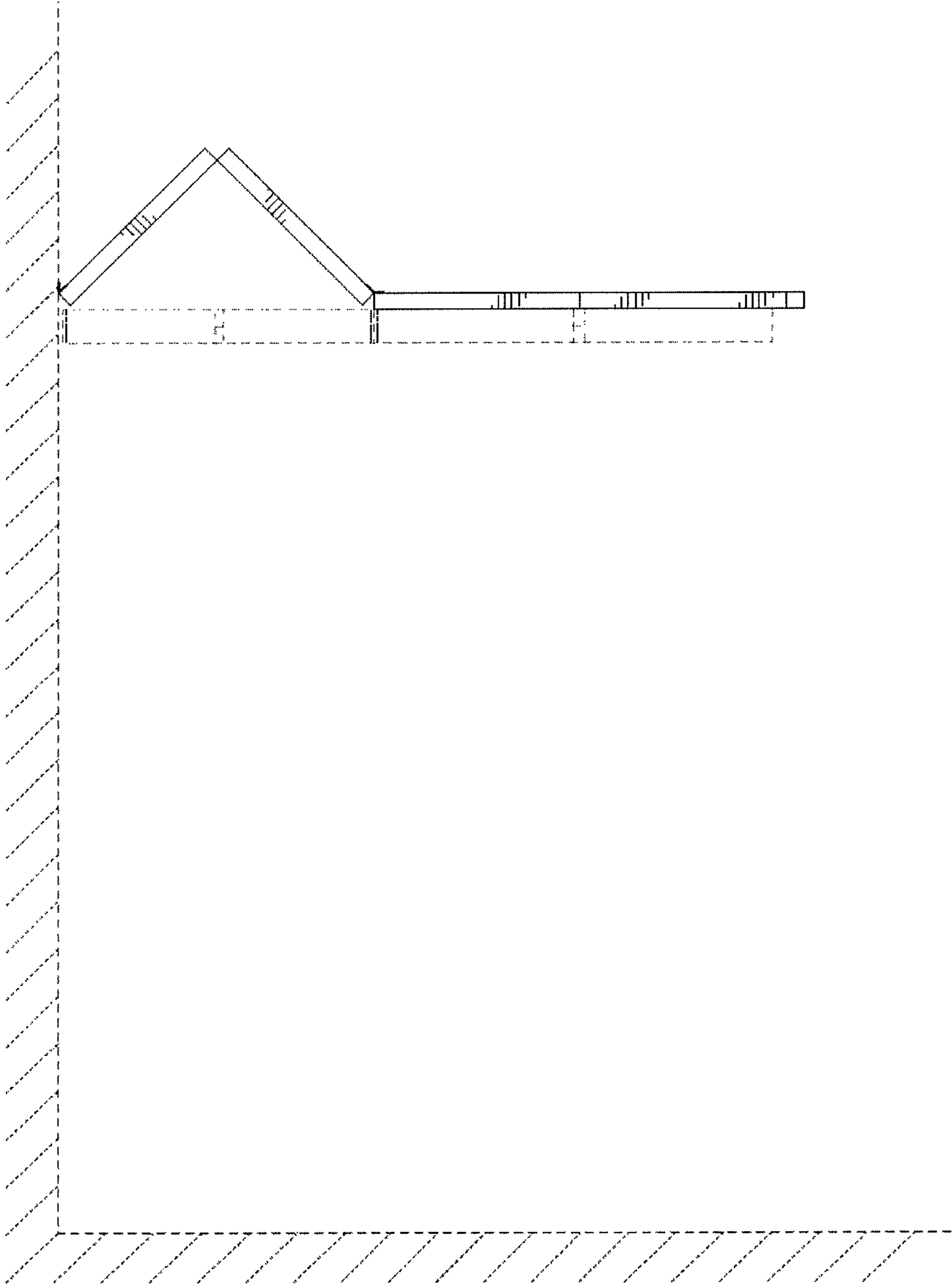


Figure 9

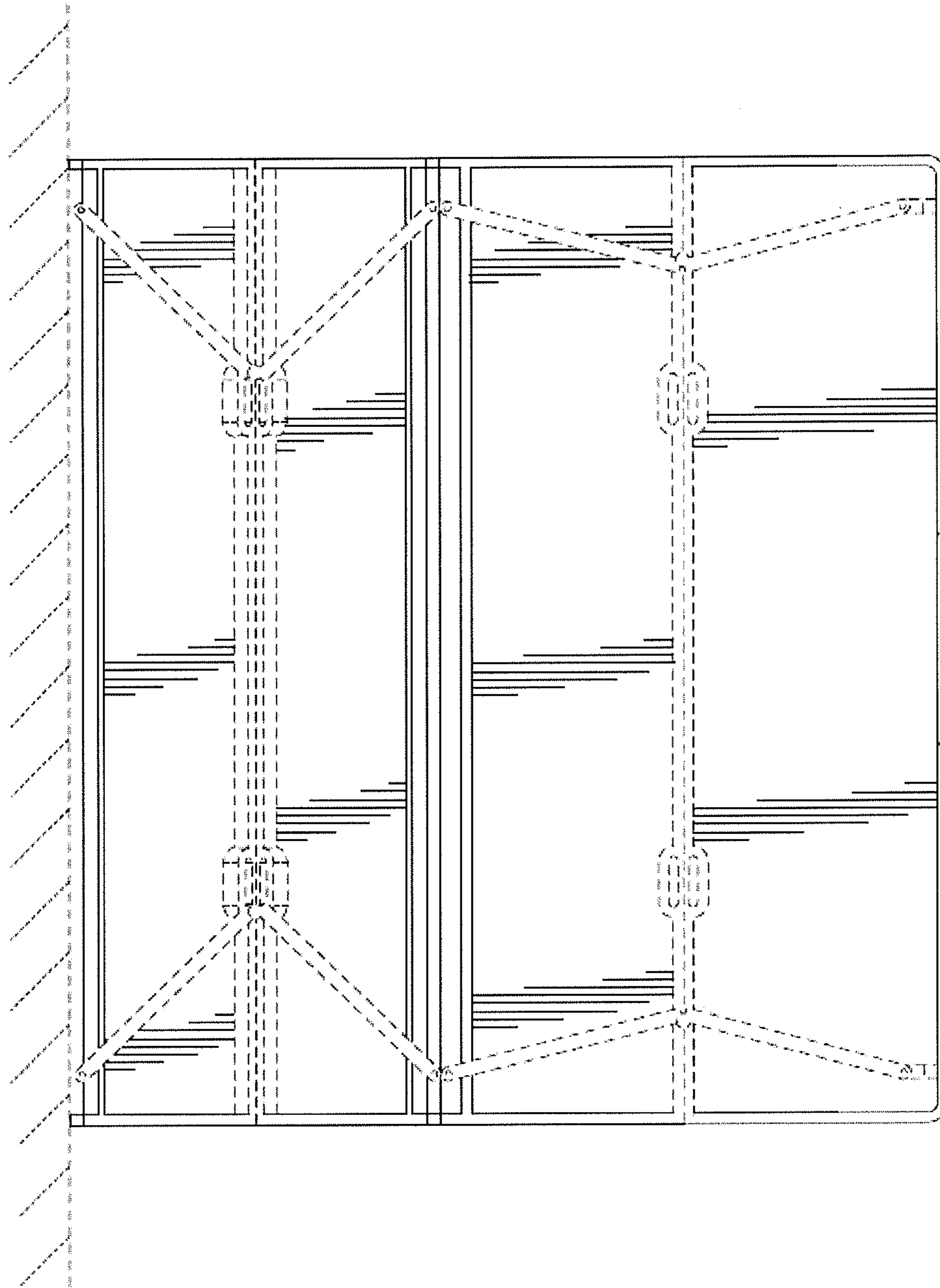


Figure 10

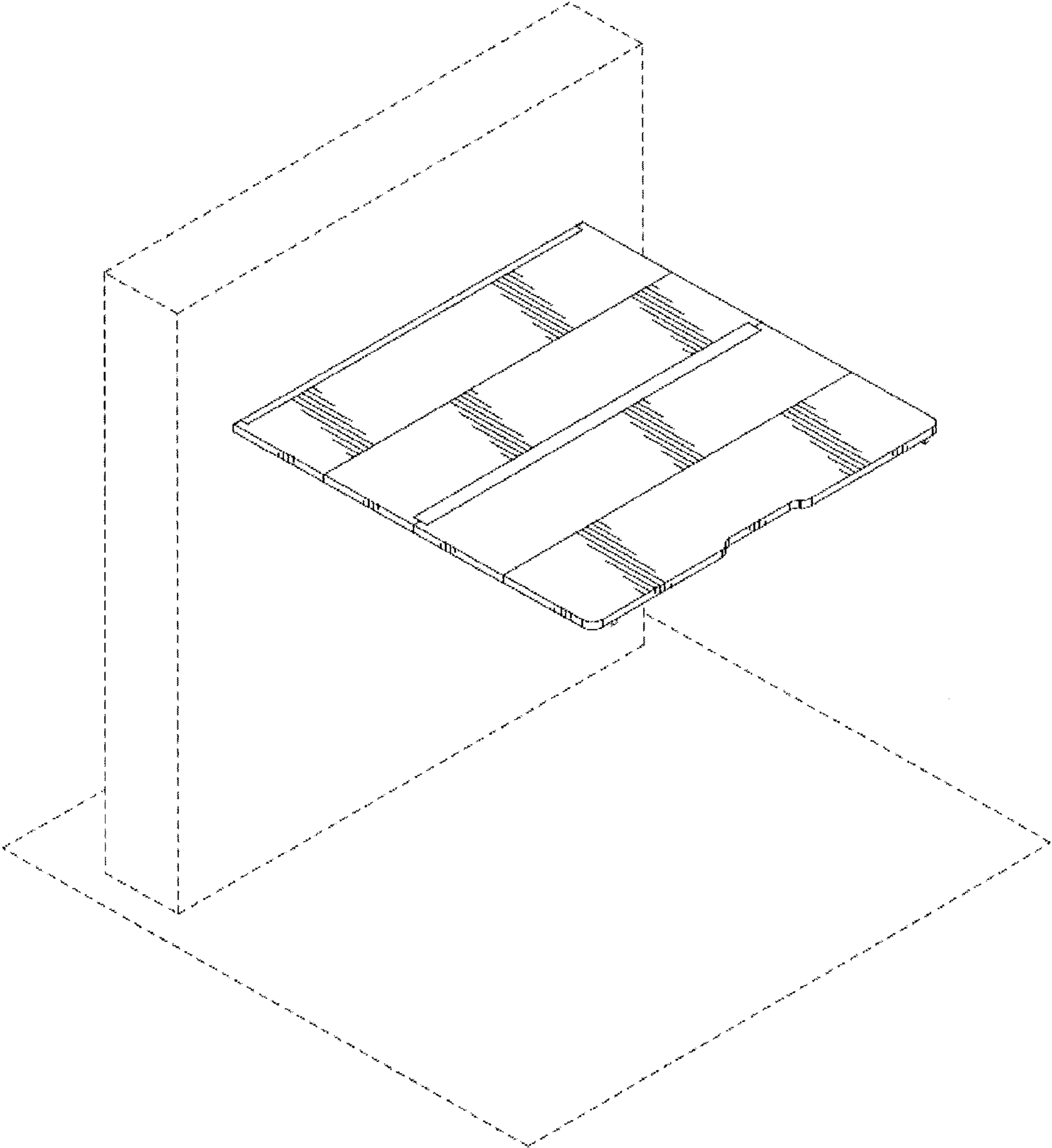


Figure 11

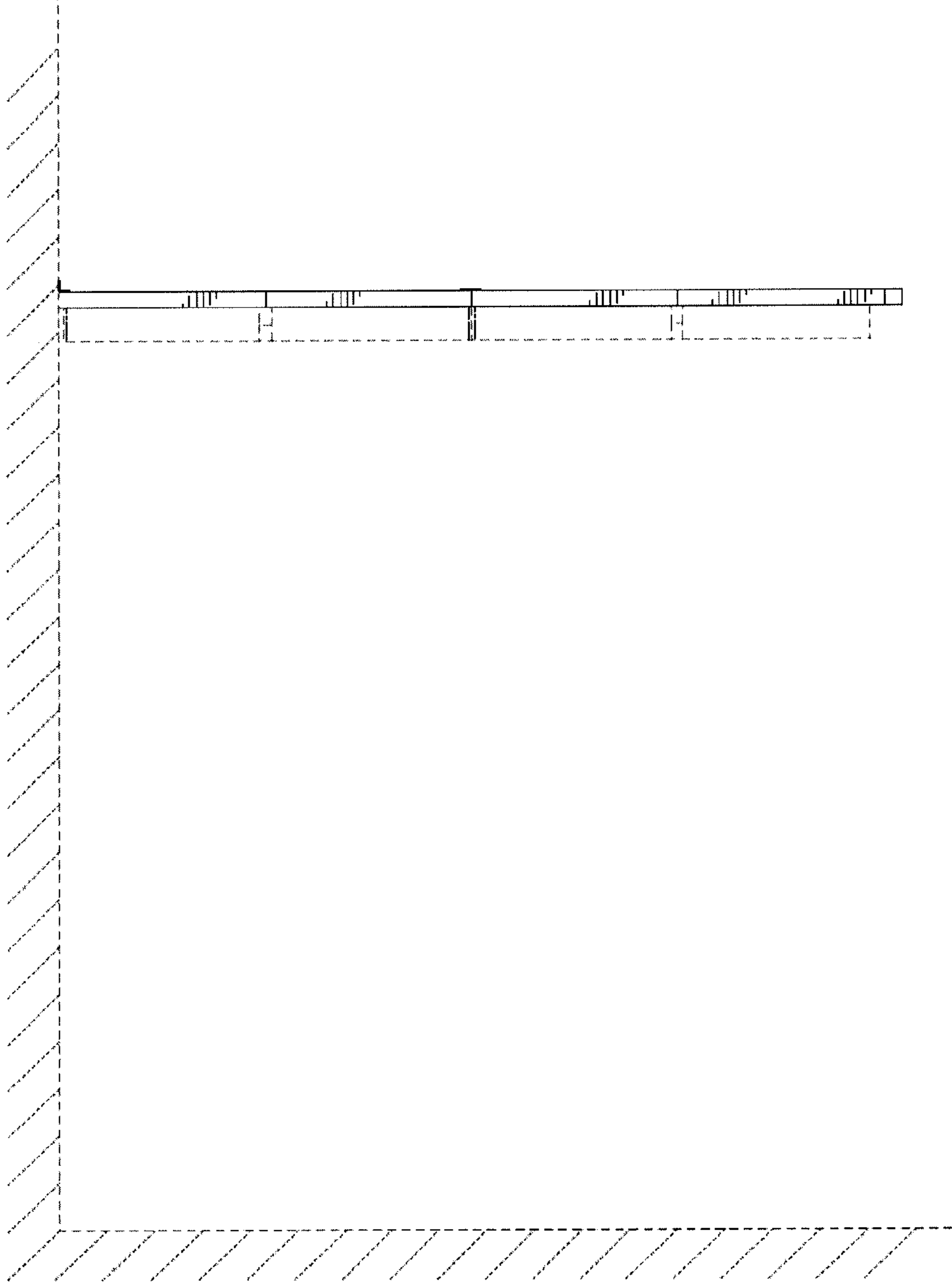


Figure 12

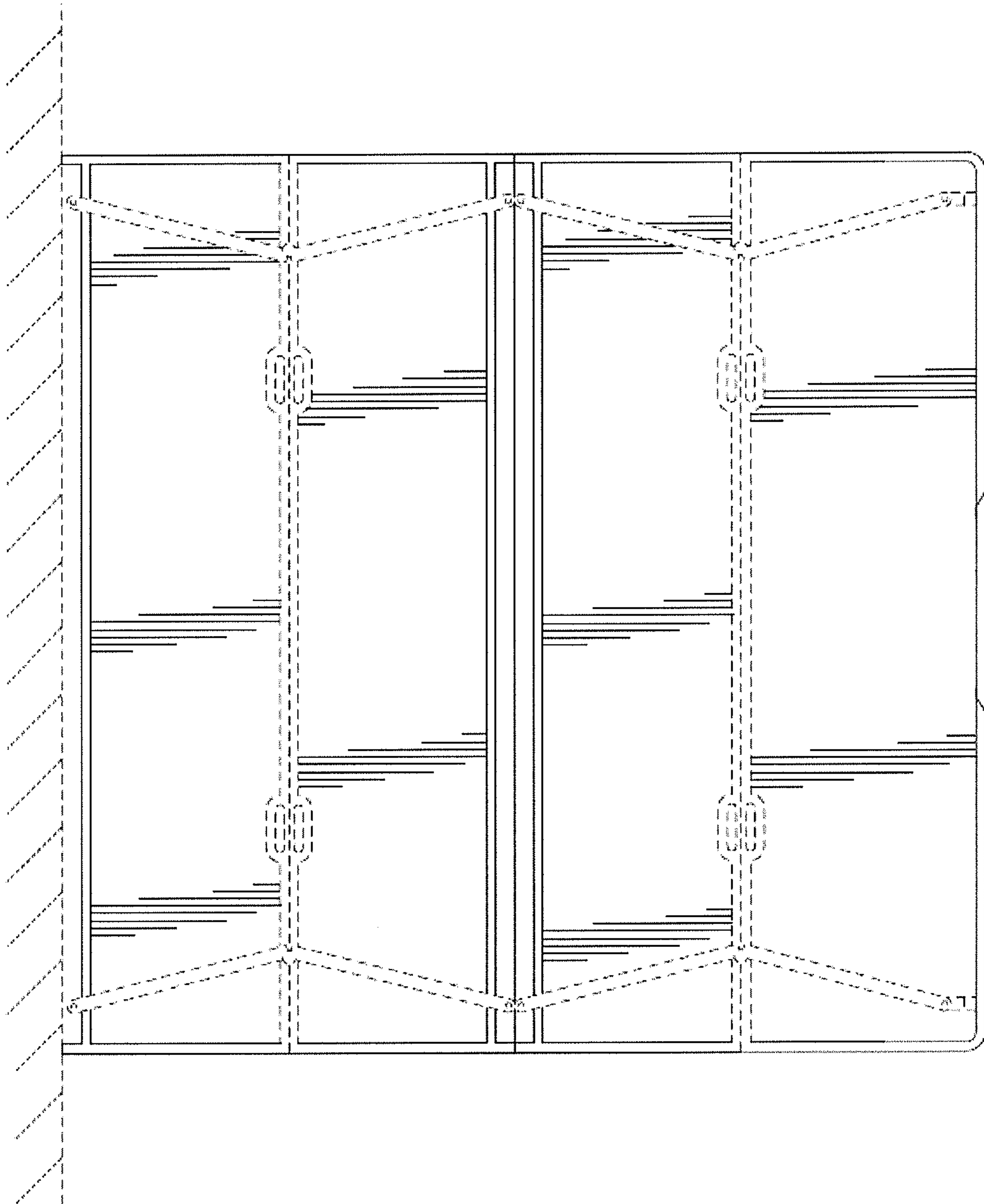


Figure 13

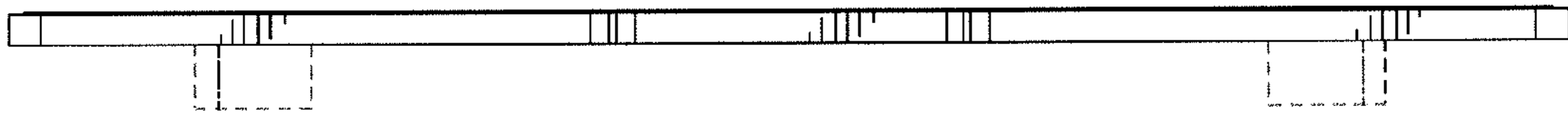


Figure 14

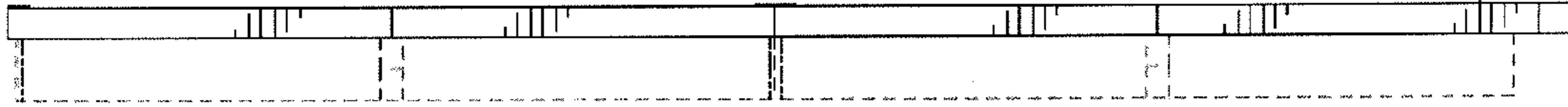


Figure 15

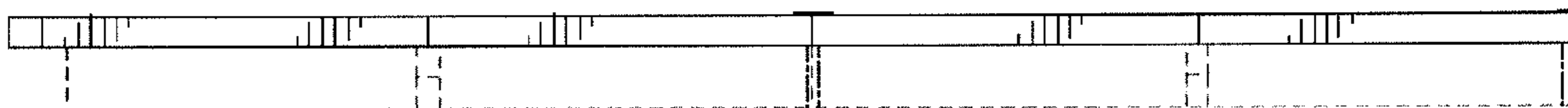


Figure 16



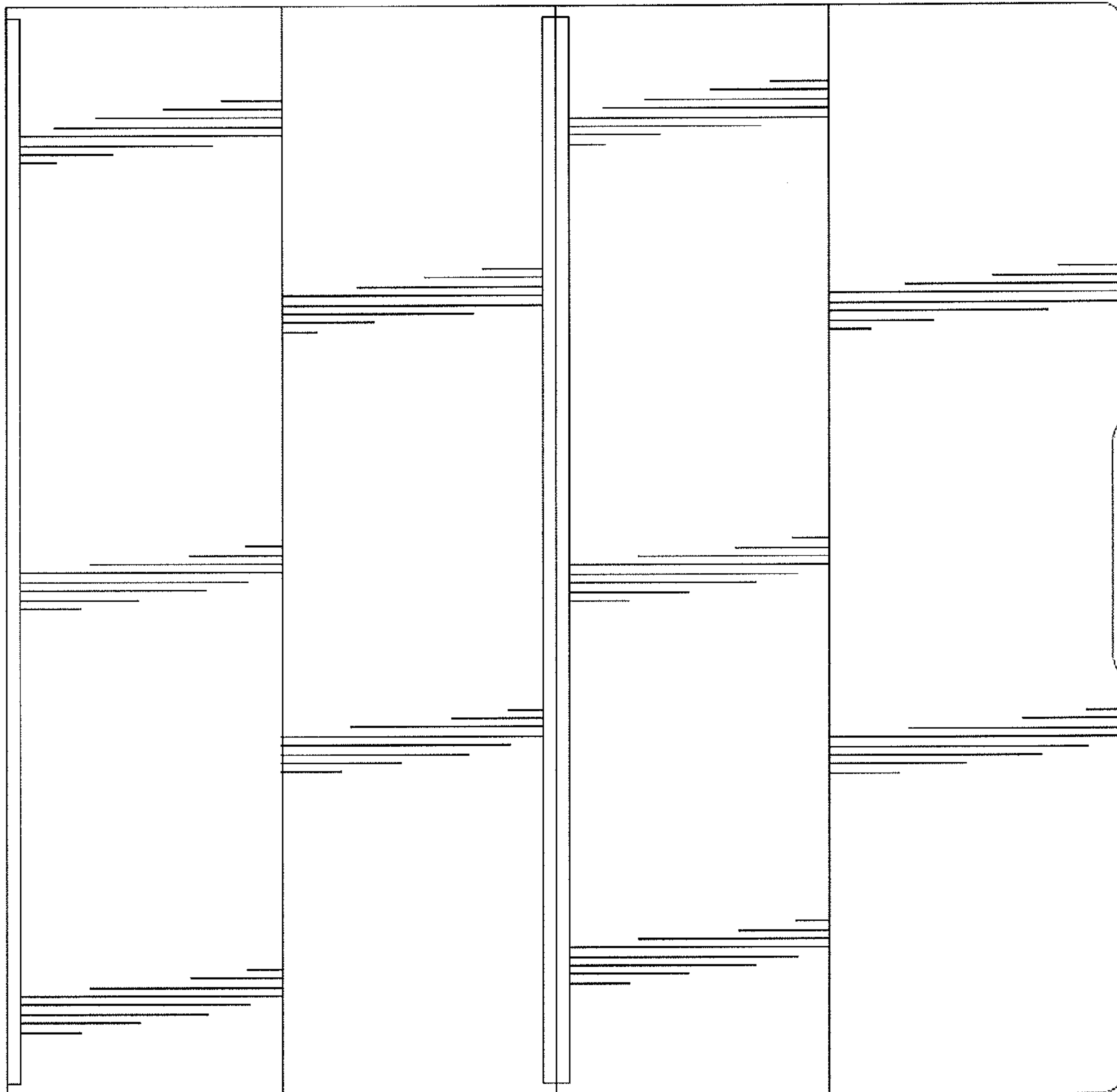


Figure 17

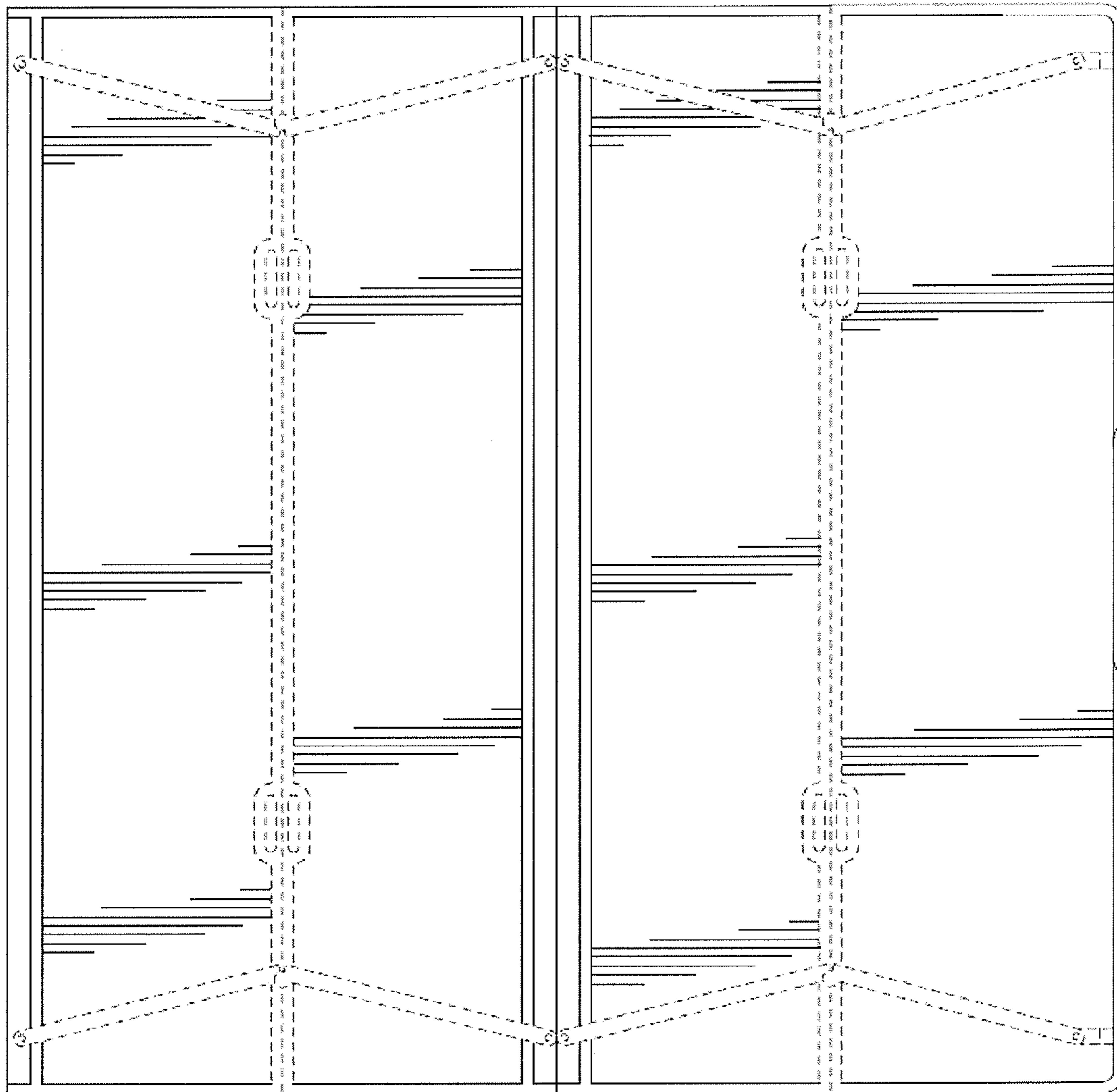


Figure 18

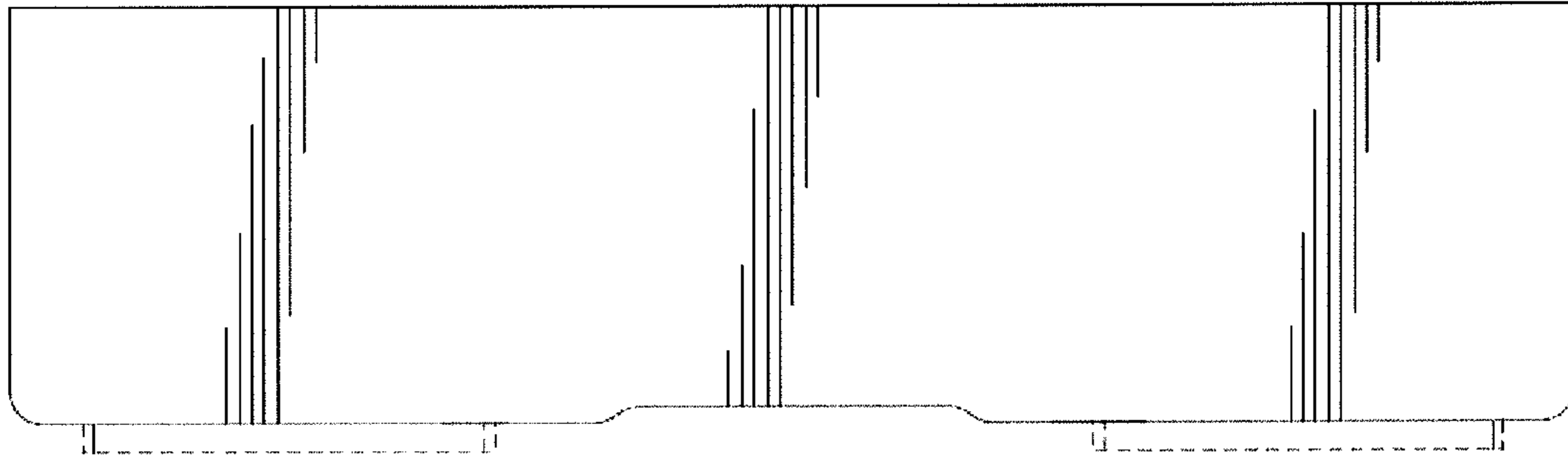


Figure 19



Figure 20

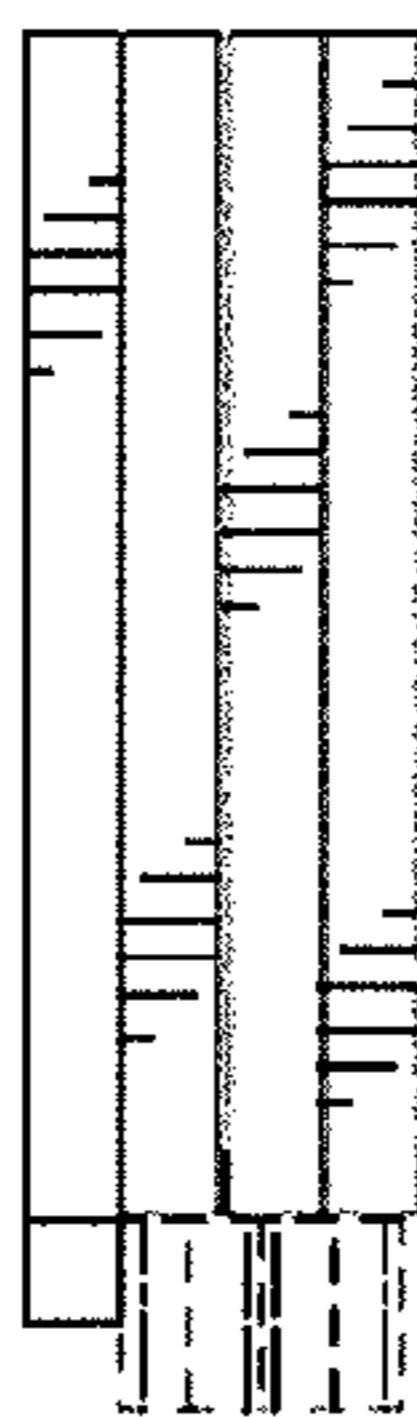


Figure 21

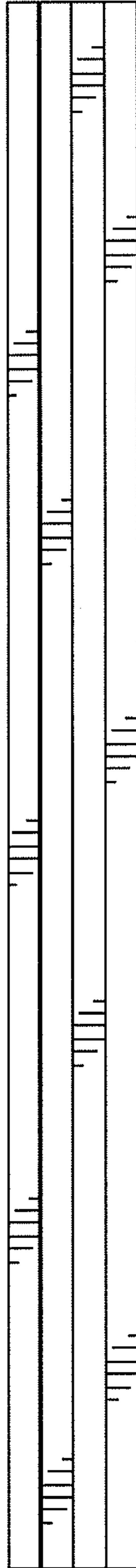


Figure 22

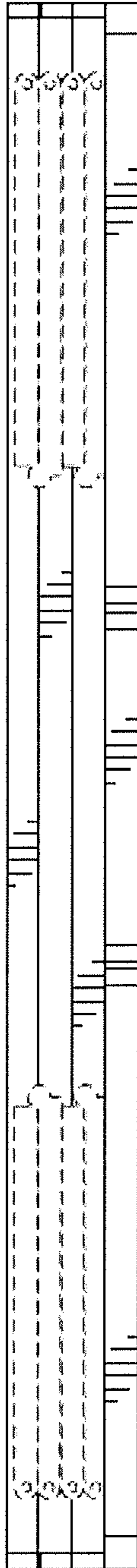


Figure 23