



US00D732309S

(12) **United States Design Patent**
Lisbona Vives

(10) **Patent No.:** **US D732,309 S**
(45) **Date of Patent:** **** Jun. 23, 2015**

(54) **SOAP DISPENSER**

(71) Applicant: **Andrea Lisbona Vives**, Sant Cugat del Valles (ES)

(72) Inventor: **Andrea Lisbona Vives**, Sant Cugat del Valles (ES)

(**) Term: **14 Years**

(21) Appl. No.: **29/500,317**

(22) Filed: **Aug. 25, 2014**

(30) **Foreign Application Priority Data**

Feb. 24, 2014 (EM) 002410498-0001

Feb. 24, 2014 (EM) 002410498-0002

(51) **LOC (10) Cl.** **23-02**

(52) **U.S. Cl.**
USPC **D6/545**

(58) **Field of Classification Search**
USPC D6/542-545; 221/208, 282, 283;
222/105, 173, 180, 181.1, 181.2, 181.3
See application file for complete search history.

(56) **References Cited**

U.S. PATENT DOCUMENTS

D271,544 S *	11/1983	Kleman	D6/545
D359,408 S *	6/1995	Frassanito	D6/545
D662,744 S *	7/2012	Memory et al.	D6/545
D704,950 S *	5/2014	Bogner et al.	D6/518
D706,550 S *	6/2014	Sun Ting Kung et al.	D6/545

* cited by examiner

Primary Examiner — Brian N Vinson

(74) *Attorney, Agent, or Firm* — Winstead PC

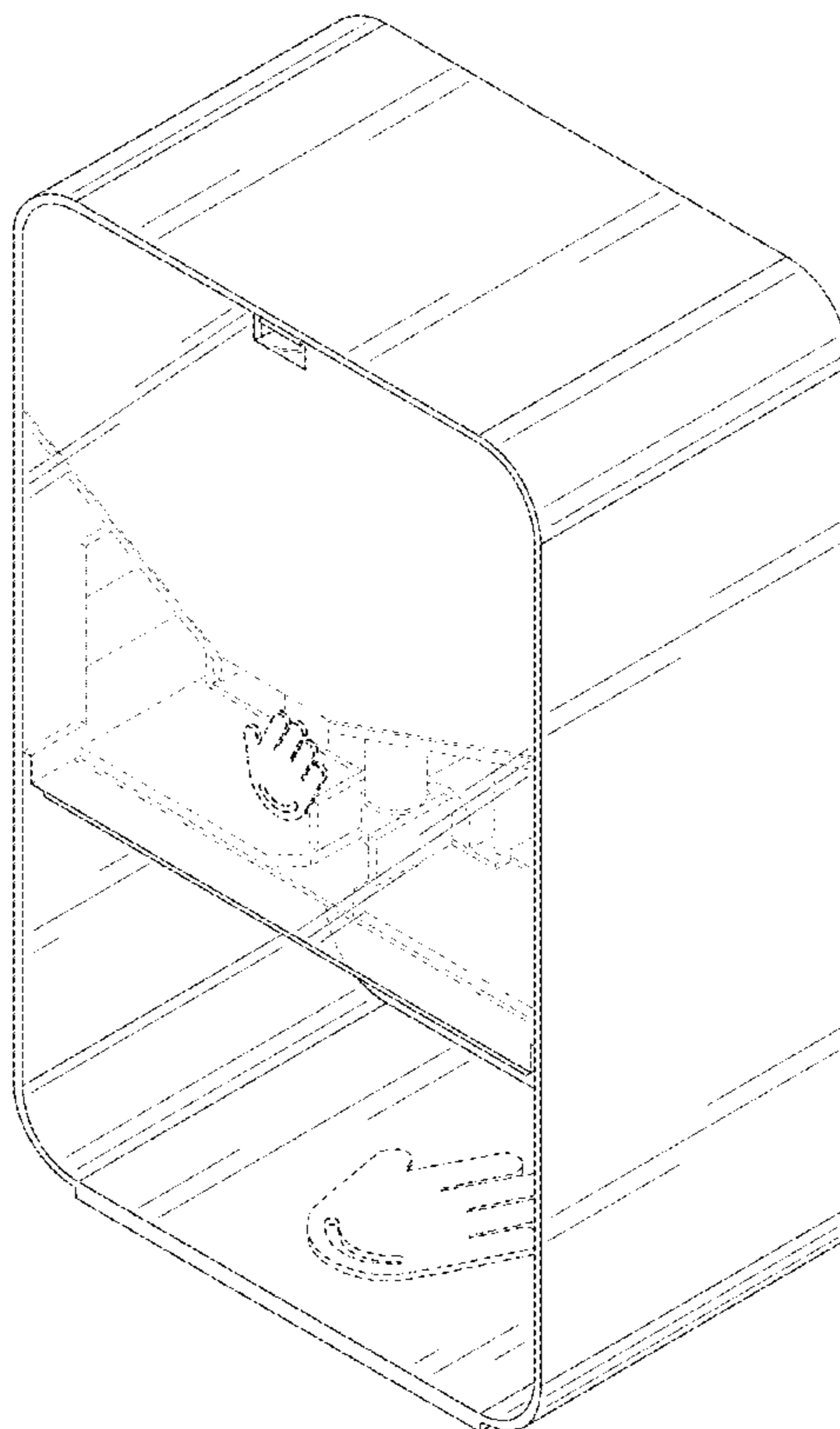
(57) **CLAIM**

The ornamental design for a soap dispenser, as shown and described.

DESCRIPTION

FIG. 1 is a top, front, and right perspective view of a soap dispenser showing my new design;
FIG. 2 is a front elevational view thereof;
FIG. 3 is a rear elevational view thereof;
FIG. 4 is a left side elevational view thereof;
FIG. 5 is a right side elevational view thereof;
FIG. 6 is a top plan view thereof;
FIG. 7 is a bottom plan view thereof; and,
FIG. 8 is a bottom, front, and left perspective view thereof.
The broken-line disclosure represents portions of the dispenser which form no part of the claimed design.

1 Claim, 7 Drawing Sheets



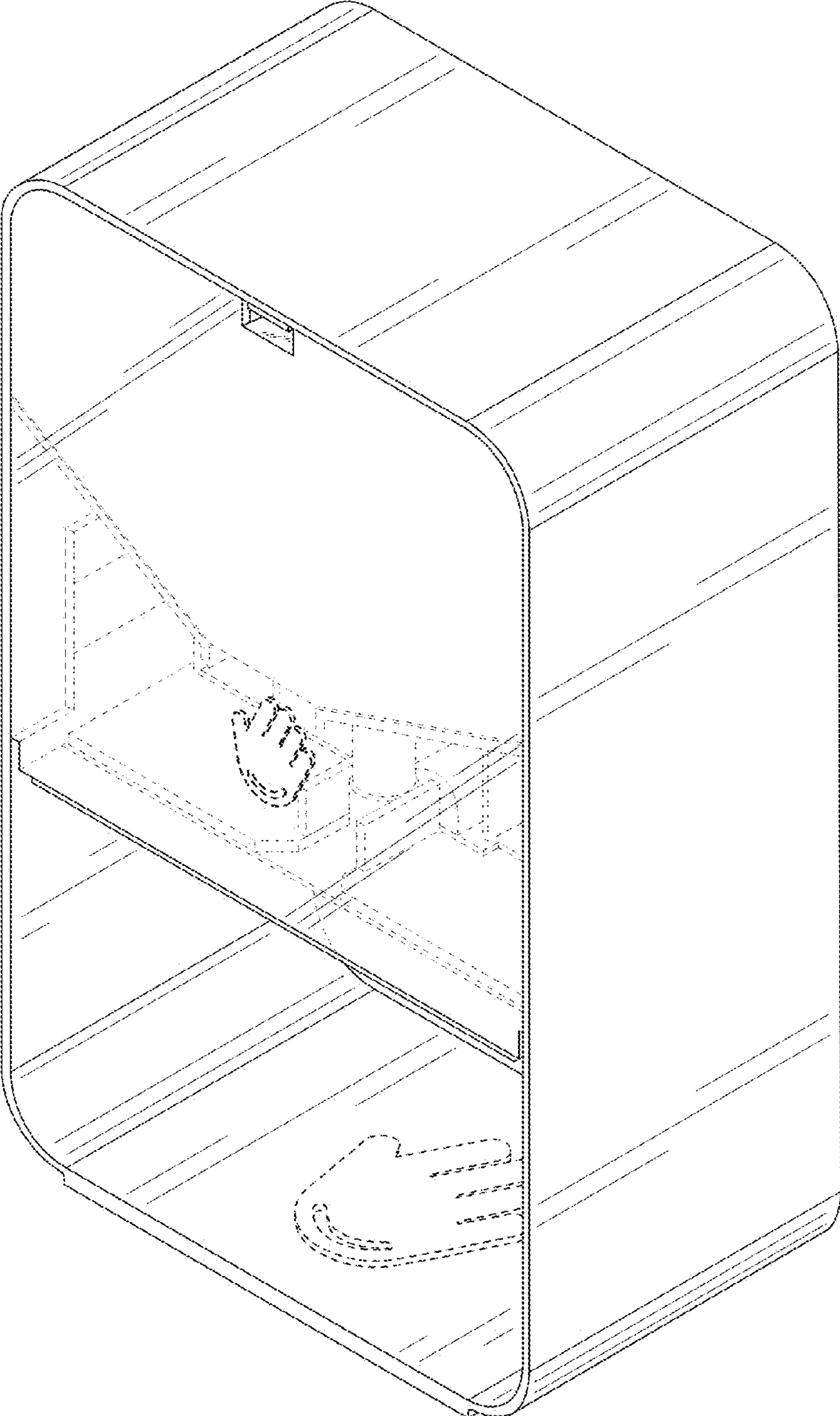


FIG. 1

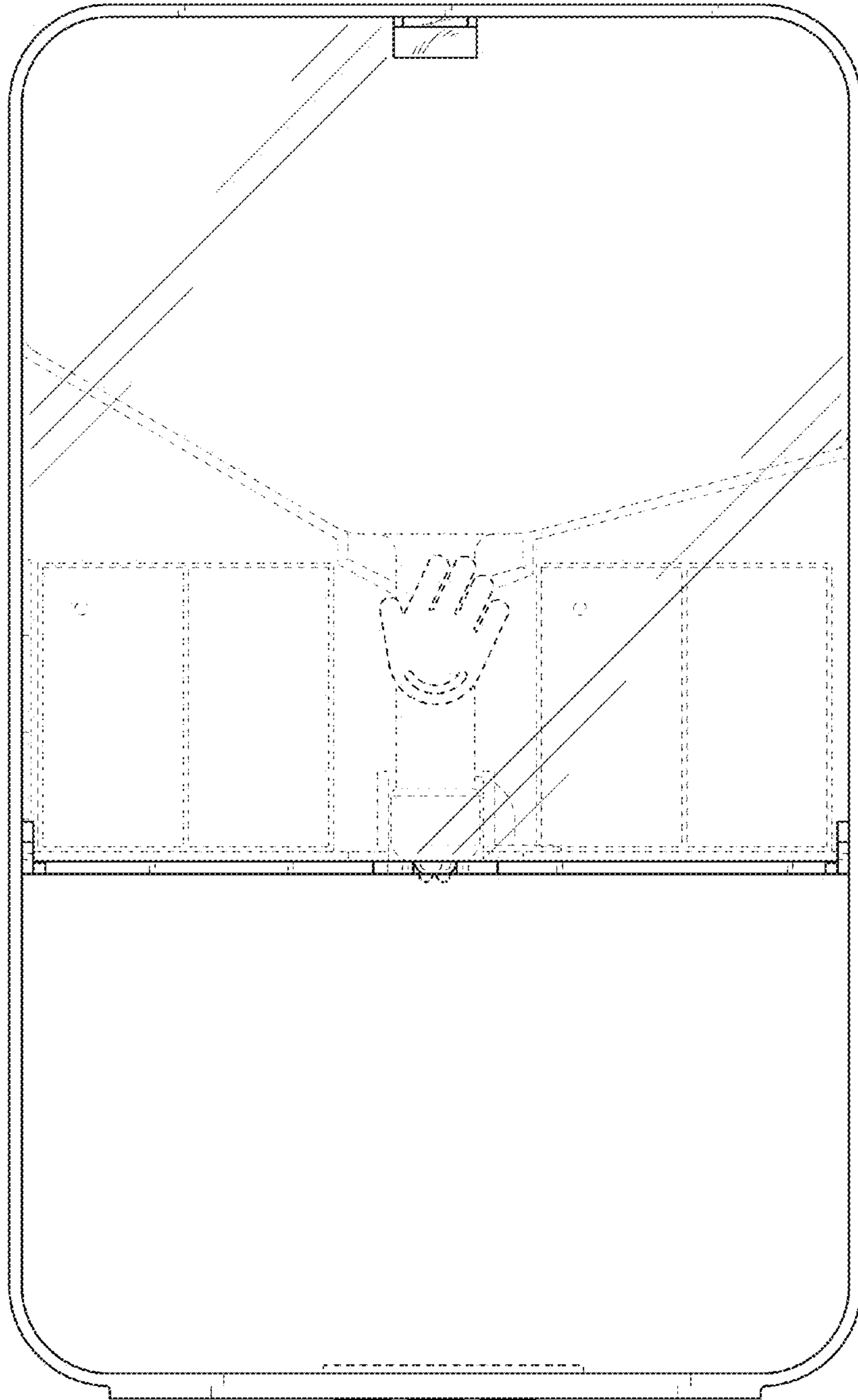


FIG. 2

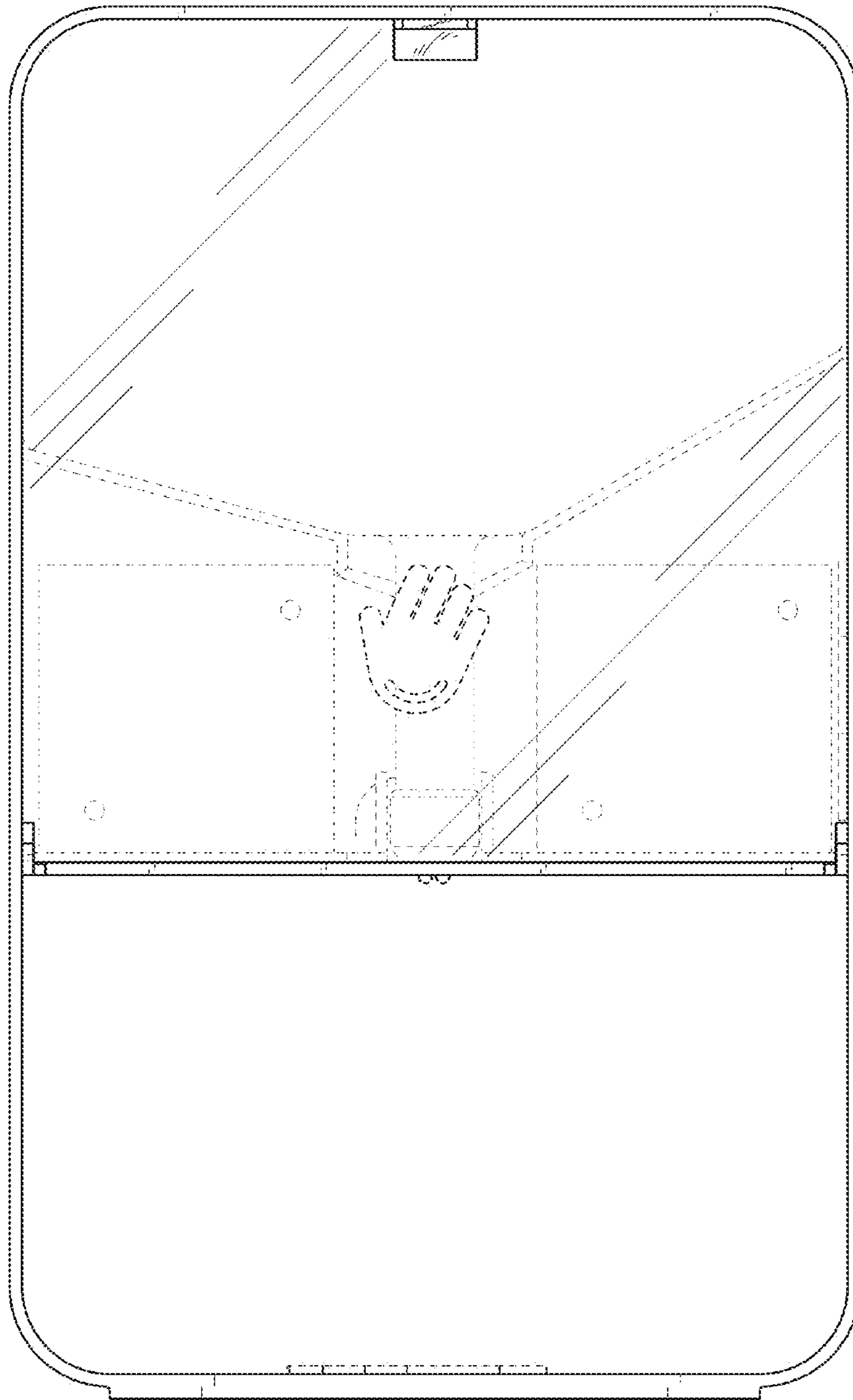


FIG. 3

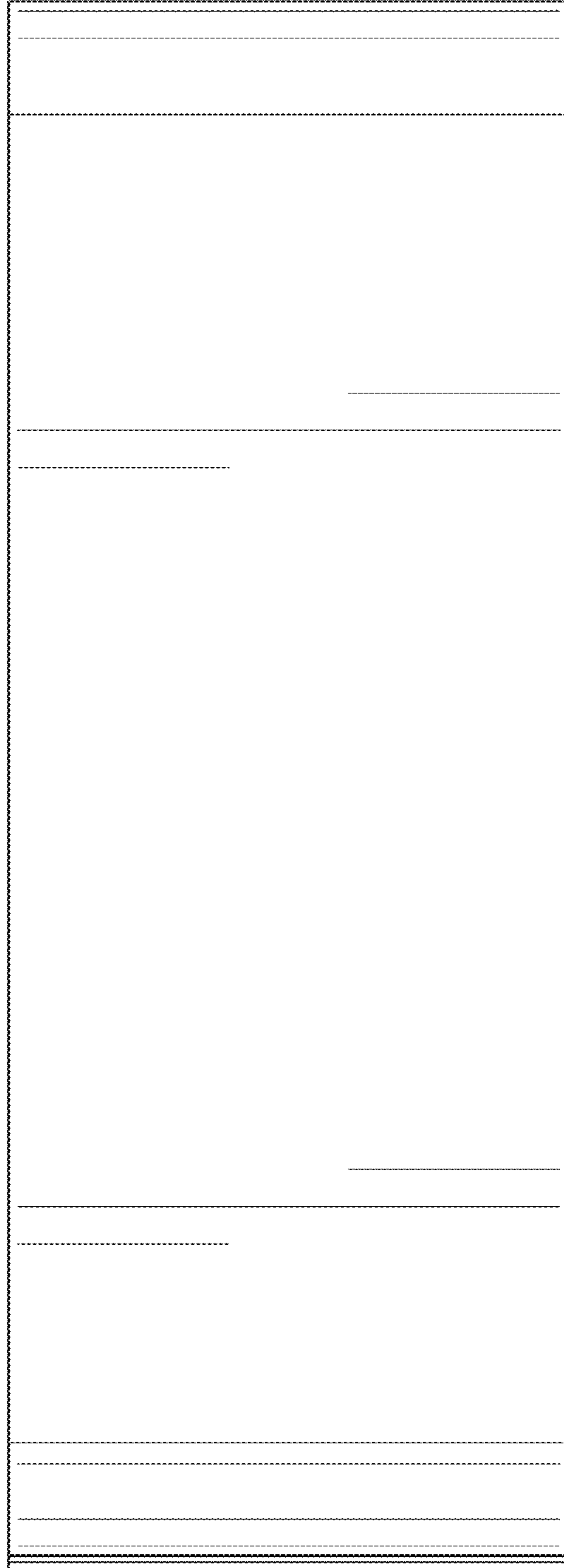


FIG. 4

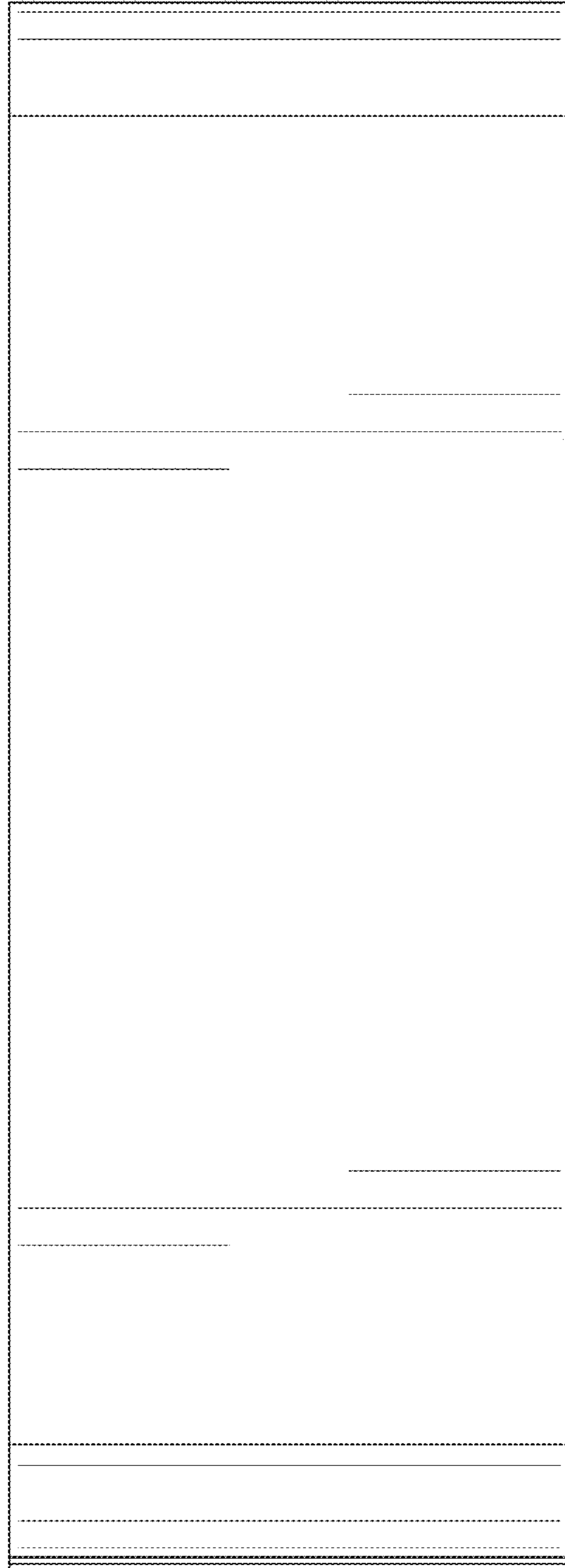


FIG. 5

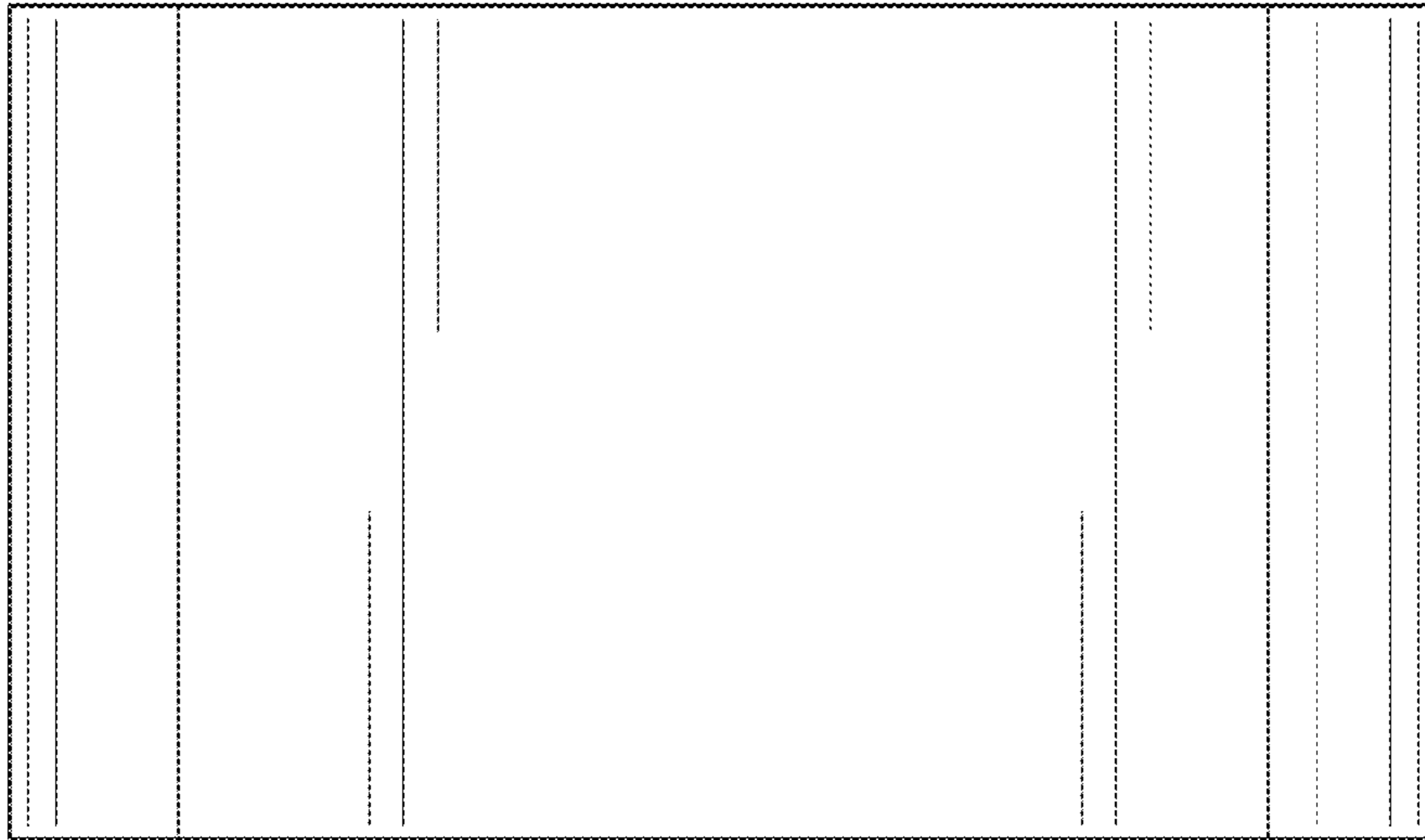


FIG. 6

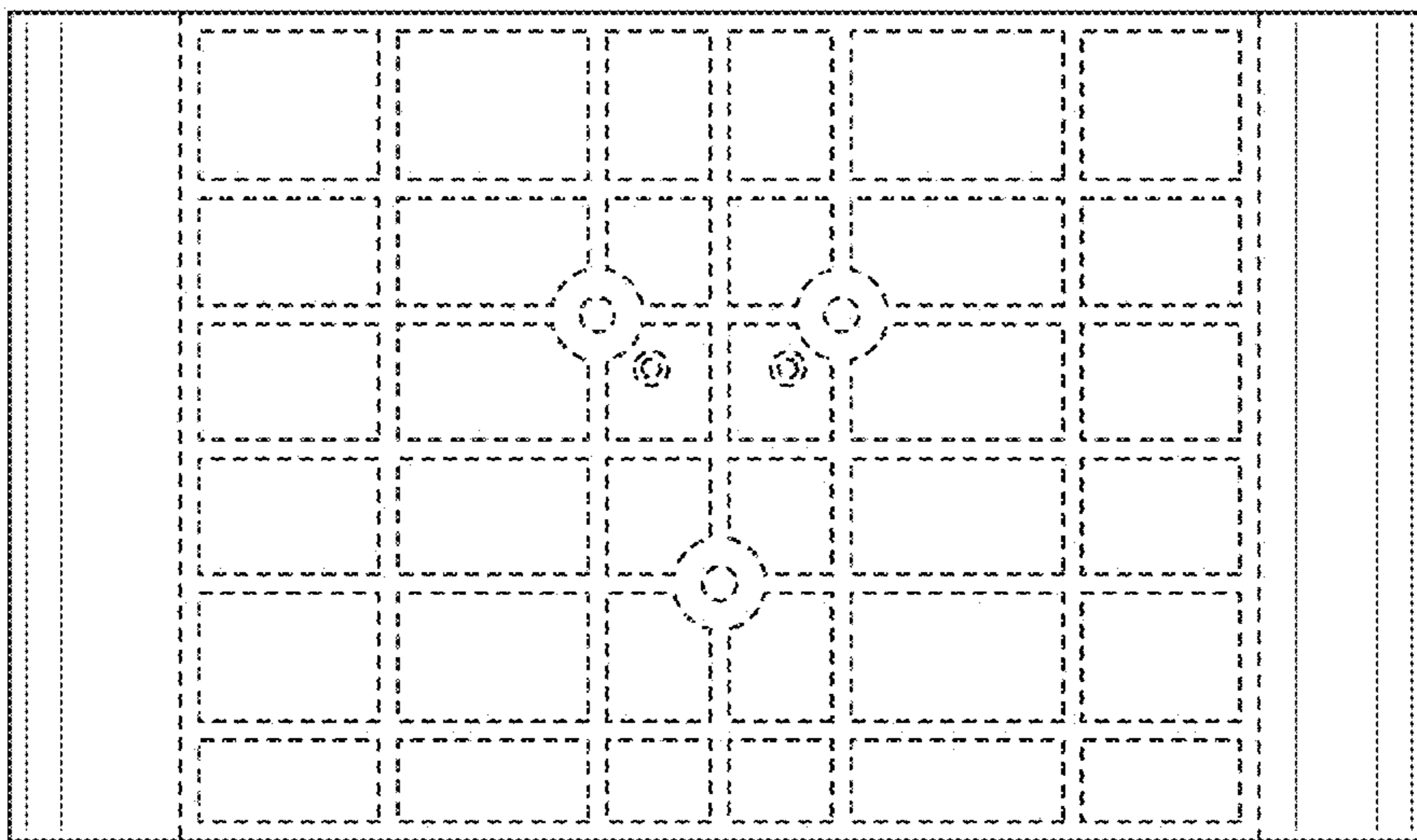


FIG. 7

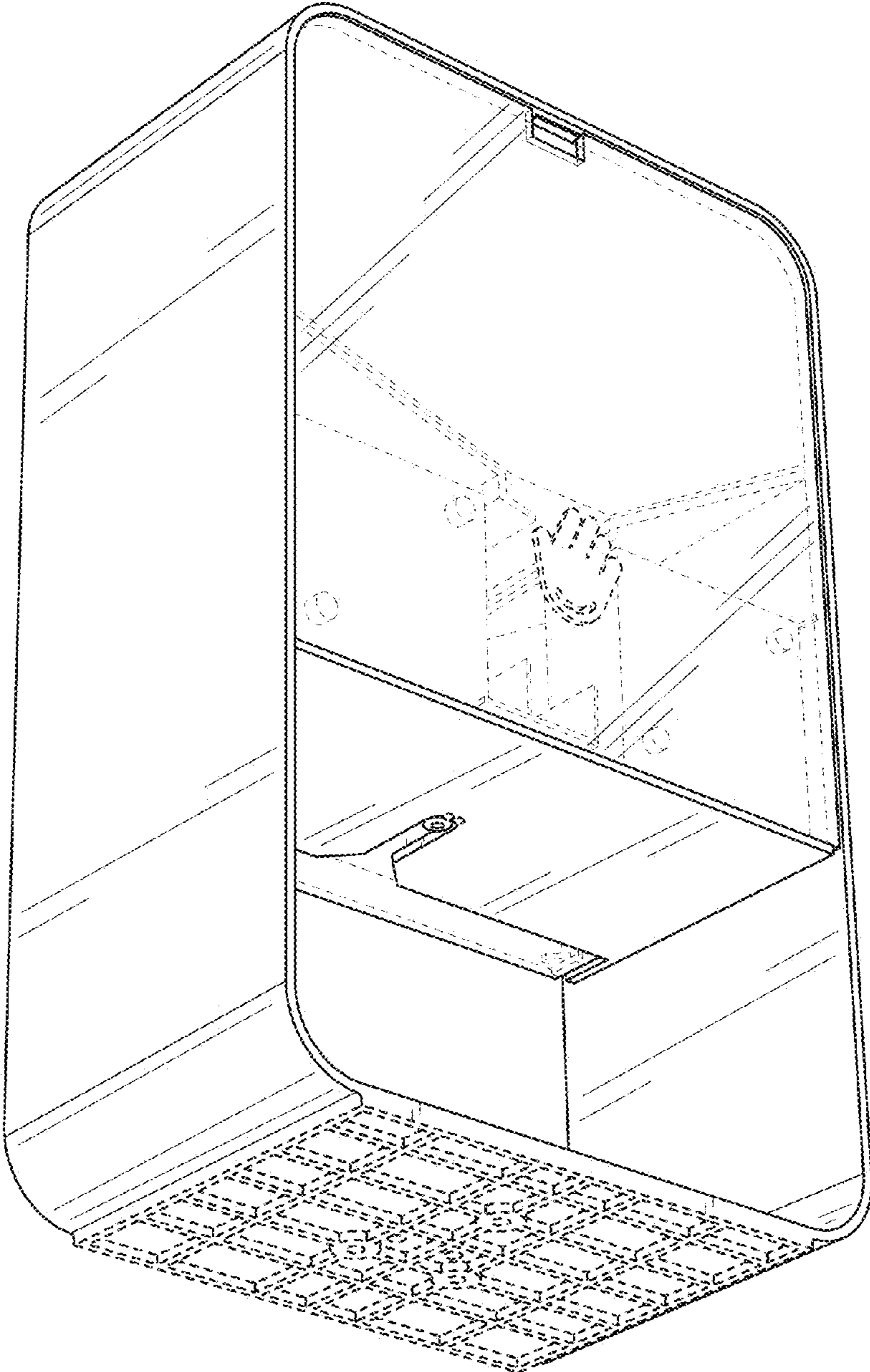


FIG. 8