



US00D732307S

(12) **United States Design Patent**
Enga et al.

(10) **Patent No.:** **US D732,307 S**

(45) **Date of Patent:** **** Jun. 23, 2015**

(54) **DISPENSER REFILL**

D658,915 S * 5/2012 Fernandes et al. D6/542
D661,933 S * 6/2012 DelGigante et al. D6/542
D690,530 S * 10/2013 Clough et al. D6/542

(71) Applicant: **Conopco, Inc.**, Englewood Cliffs, NJ
(US)

OTHER PUBLICATIONS

(72) Inventors: **Agnete Enga**, Oslo (NO); **Ivan Exposito Sanchez**, Valencia (ES); **Jamie Mark Nicholson**, Brooklyn, NY (US); **Kevin Richard Lozeau**, Portland, OR (US)

Simplehuman, 2013, <http://www.simplehuman.co.uk/compact-sensor-pump-with-soap-sample-brushed-nickel-237-ml>.

Van Minnen, "Dettol's touch-less soap dispenser", Dettol Lysol soap pump, Nov. 22, 2012, <http://tech-tech-news.blogspot.co.uk/2012/11/dettols-touch-less-soap-dispenser.html>.

Co-pending application: Applicant: Enga et al., Filed: Aug. 27, 2014.

(73) Assignee: **Conopco, Inc.**, Englewood Cliffs, NJ
(US)

* cited by examiner

(**) Term: **14 Years**

Primary Examiner — Brian N Vinson

(74) *Attorney, Agent, or Firm* — Alan A. Bornstein

(21) Appl. No.: **29/500,611**

(57) **CLAIM**

The ornamental design of a dispenser refill, as shown and described.

(22) Filed: **Aug. 27, 2014**

(51) **LOC (10) Cl.** **23-02**

(52) **U.S. Cl.**
USPC **D6/542**

DESCRIPTION

(58) **Field of Classification Search**
USPC D6/542-545; D9/682, 688, 690, 291,
D9/448, 449; 221/282; 222/14, 173, 146.3,
222/628, 251, 181.1, 181.3
See application file for complete search history.

FIG. 1 is a front perspective view from the top of a dispenser refill showing our new design;
FIG. 2 is a front perspective view from the bottom thereof;
FIG. 3 is a front side elevational view thereof;
FIG. 4 is a back side elevational view thereof;
FIG. 5 is a right side elevational view thereof;
FIG. 6 is a left side elevational view thereof;
FIG. 7 is a top plan view thereof; and,
FIG. 8 is a bottom plan view thereof.

The broken lines immediately adjacent to the shaded areas represent the bounds of the claimed design while all other broken lines are directed to environment and are for illustrative purposes only; the broken lines form no part of the claimed design.

(56) **References Cited**

U.S. PATENT DOCUMENTS

D331,516 S * 12/1992 Waring D6/545
D332,544 S * 1/1993 Steiner et al. D6/545
D471,047 S * 3/2003 Gordon et al. D6/545
D534,753 S 1/2007 Christianson
D612,741 S * 3/2010 Miksovsky D6/542
7,766,194 B2 8/2010 Boll

1 Claim, 4 Drawing Sheets

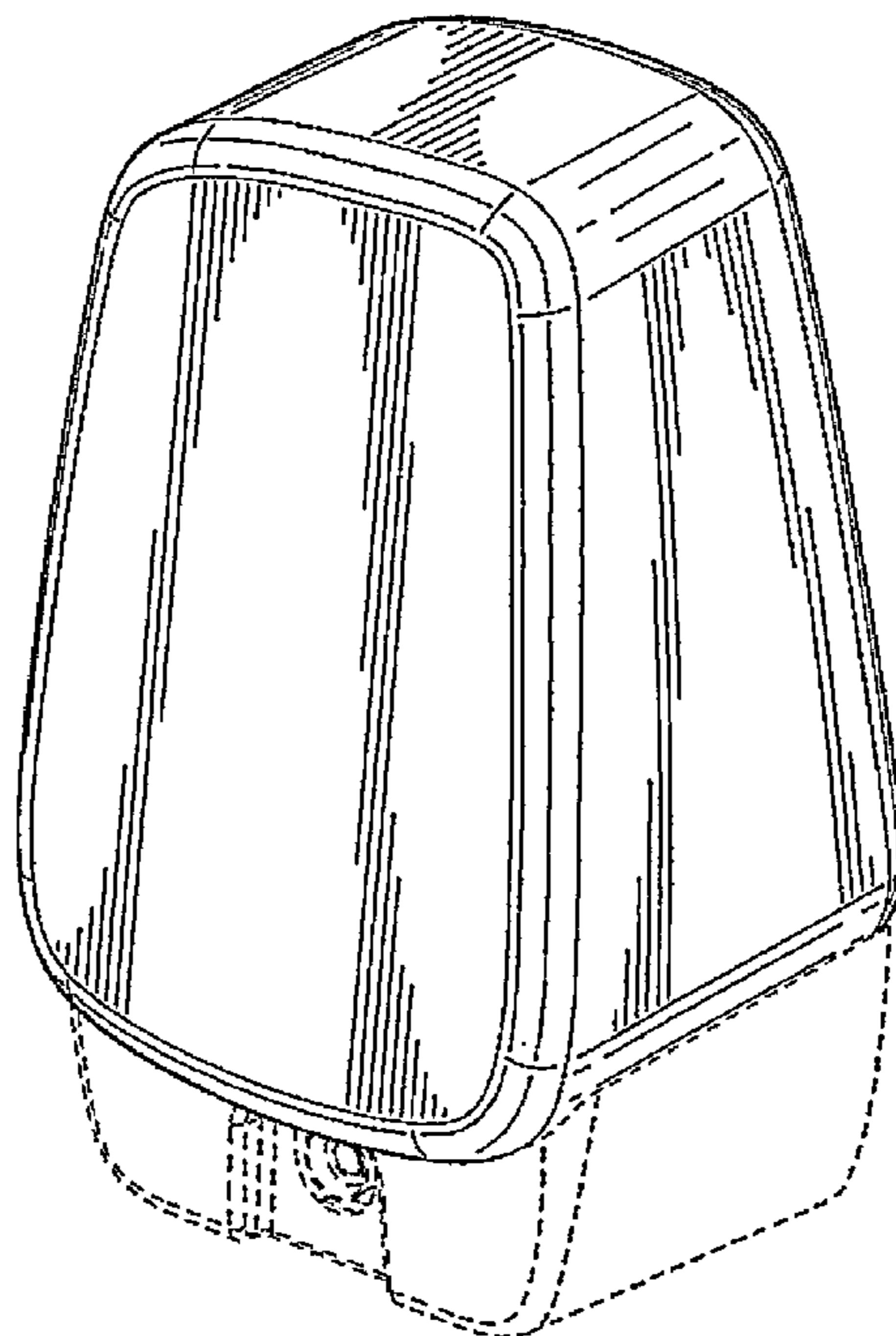


FIG. 2

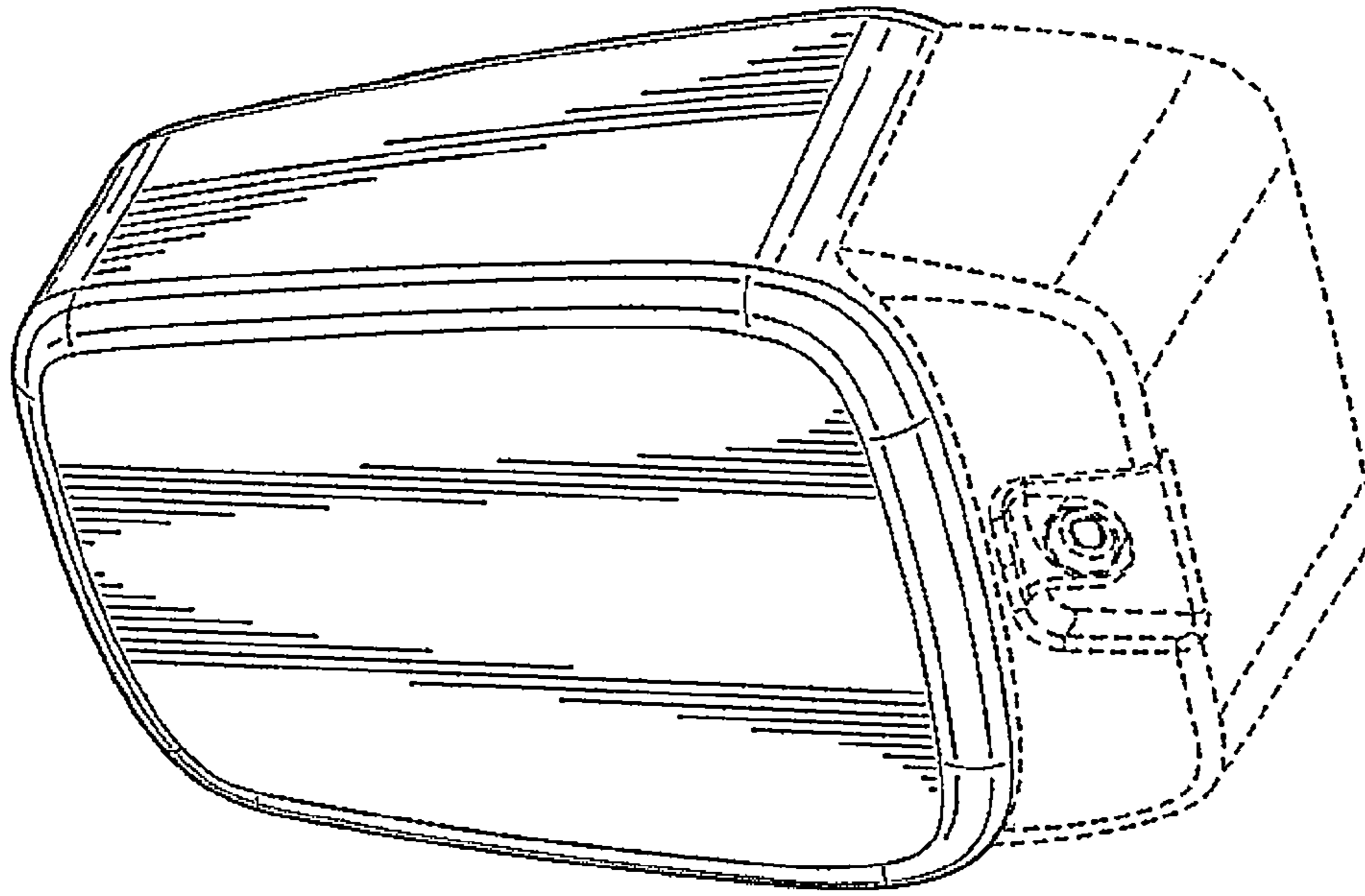


FIG. 1

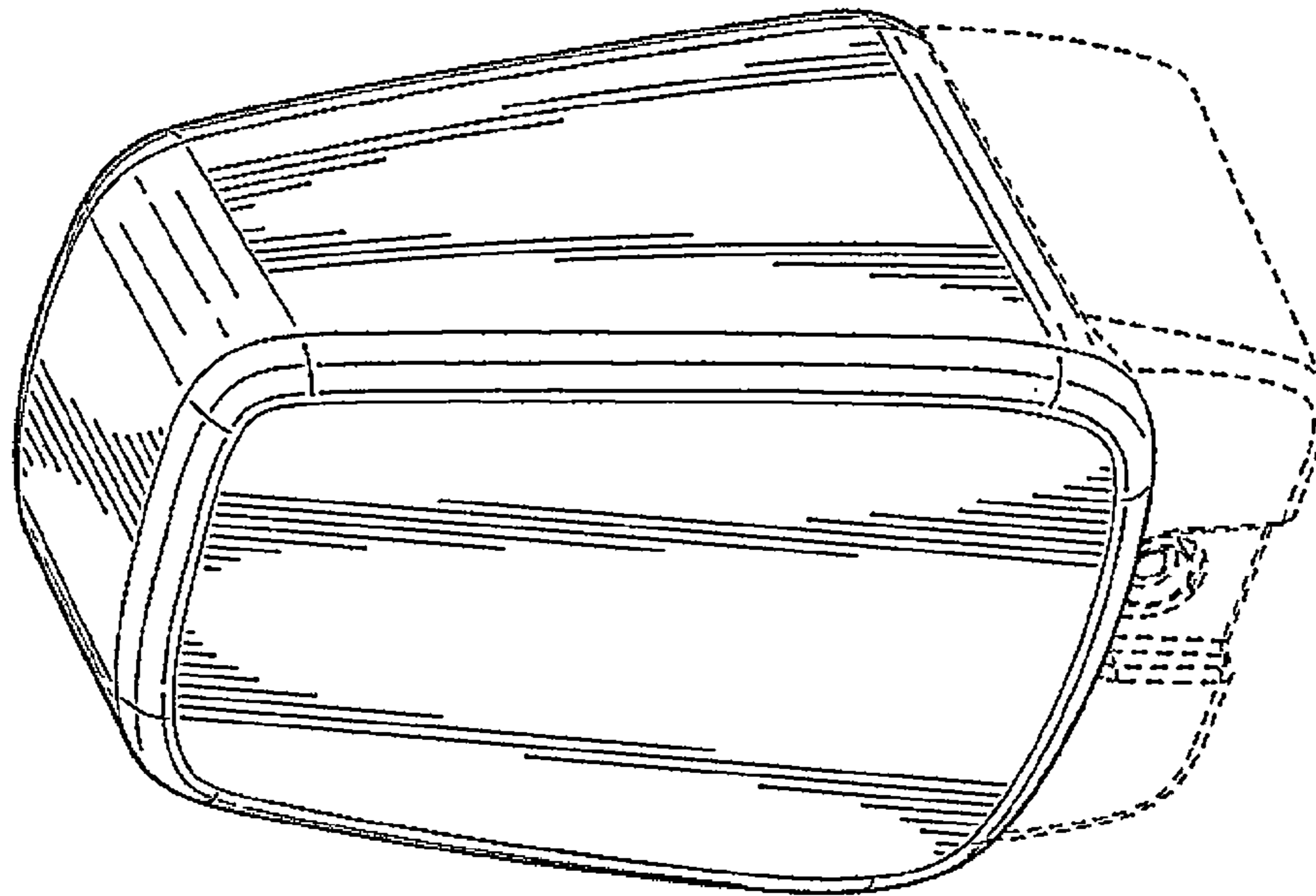


FIG. 4

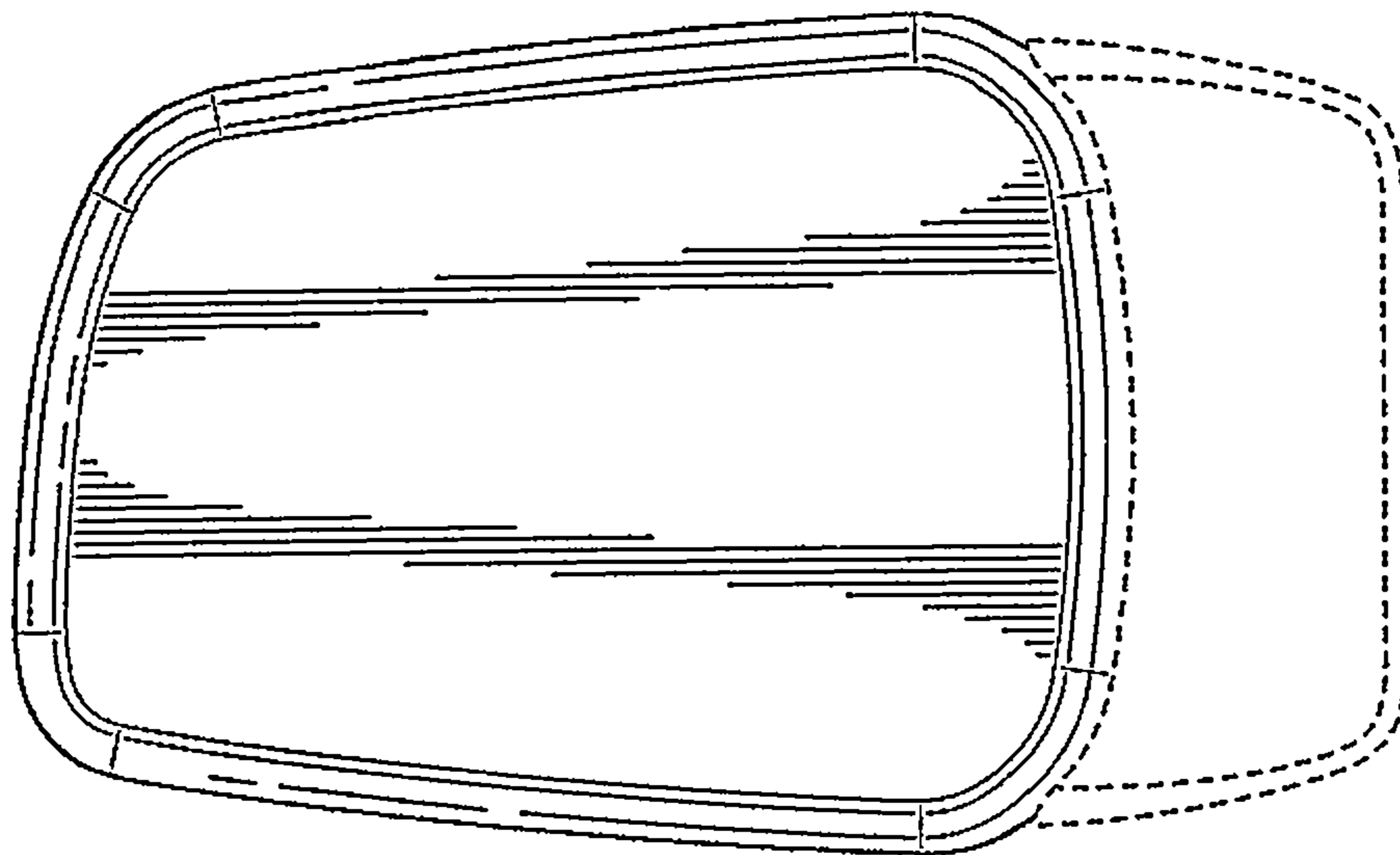


FIG. 3

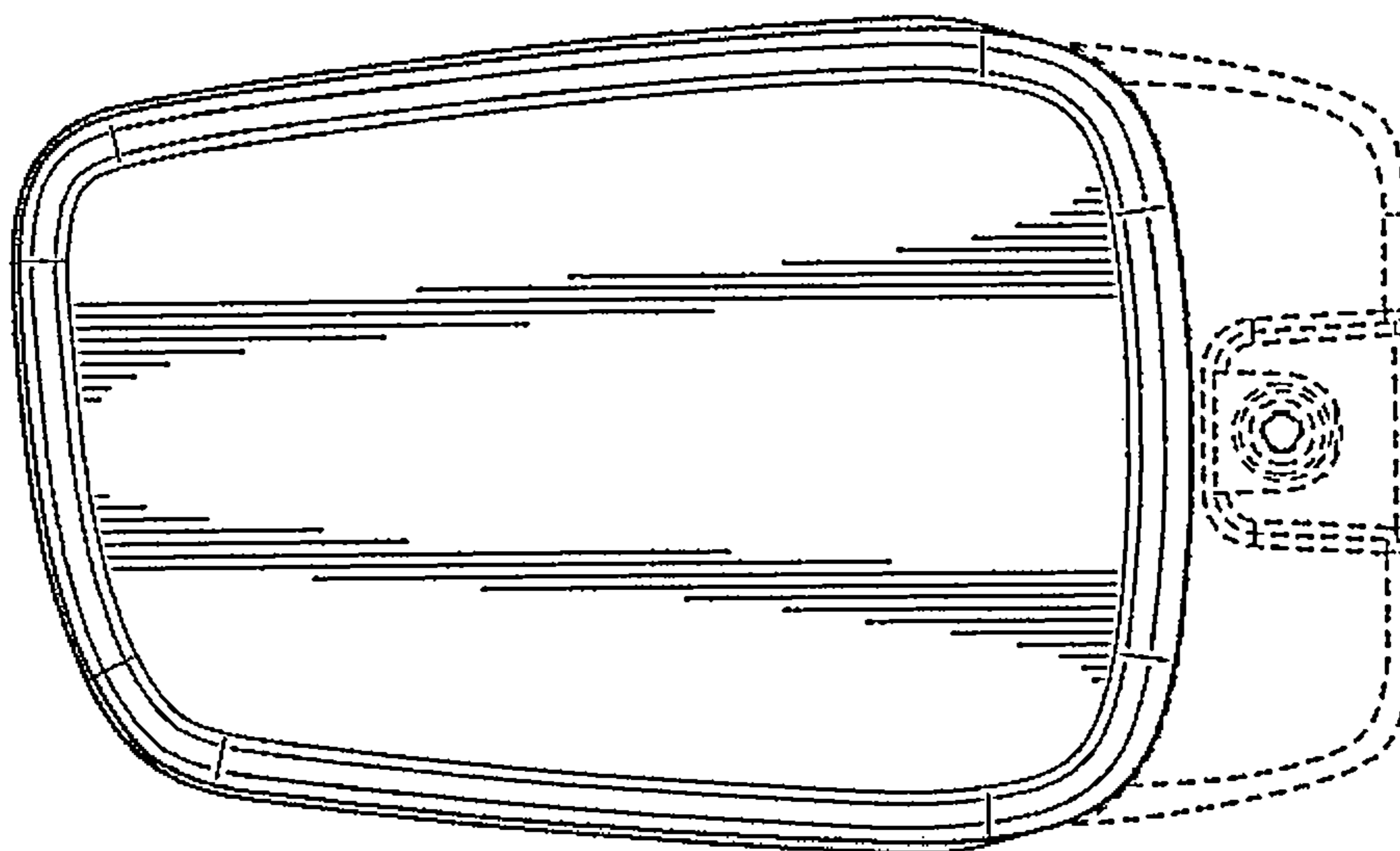


FIG. 6

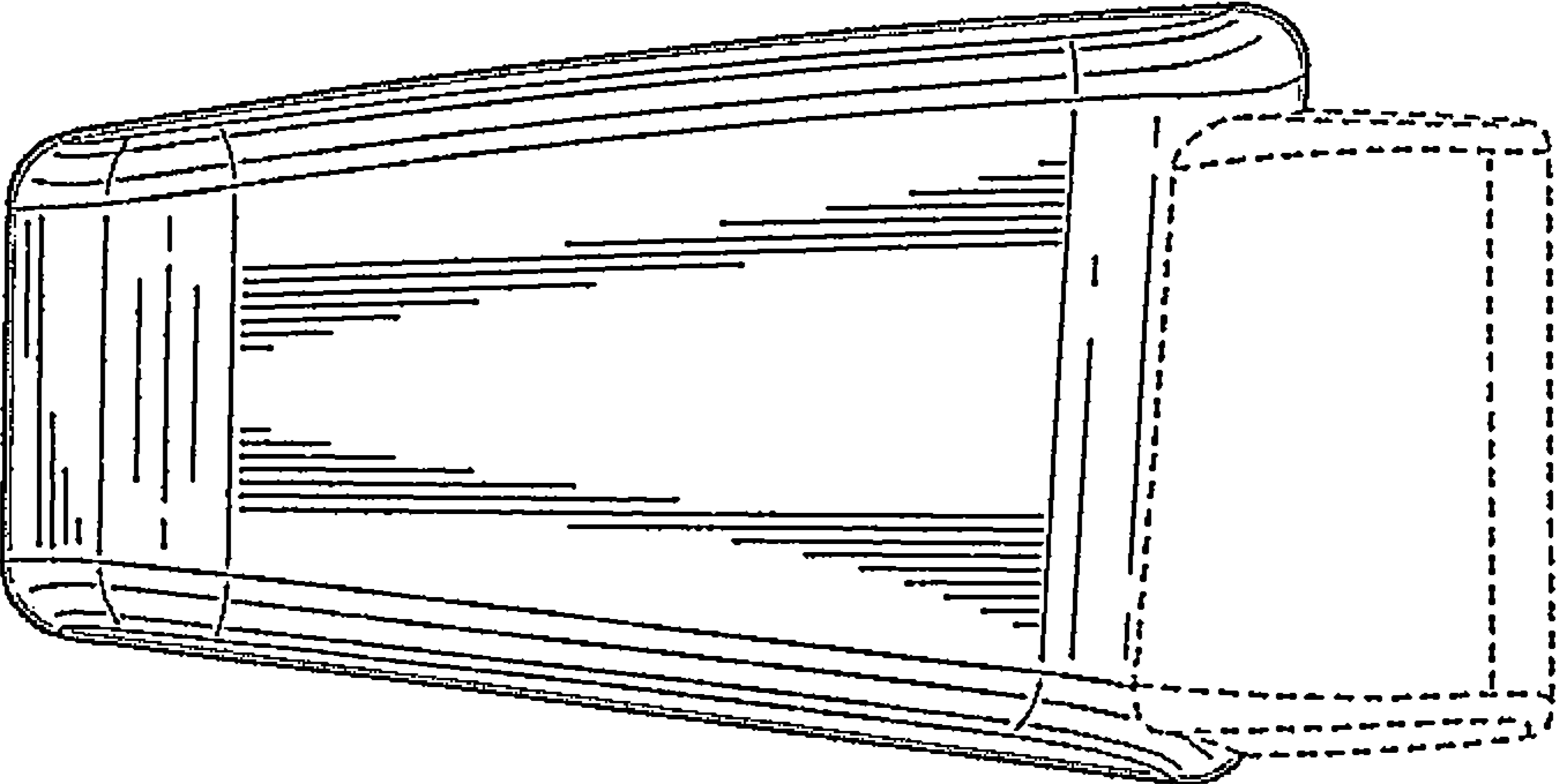


FIG. 5

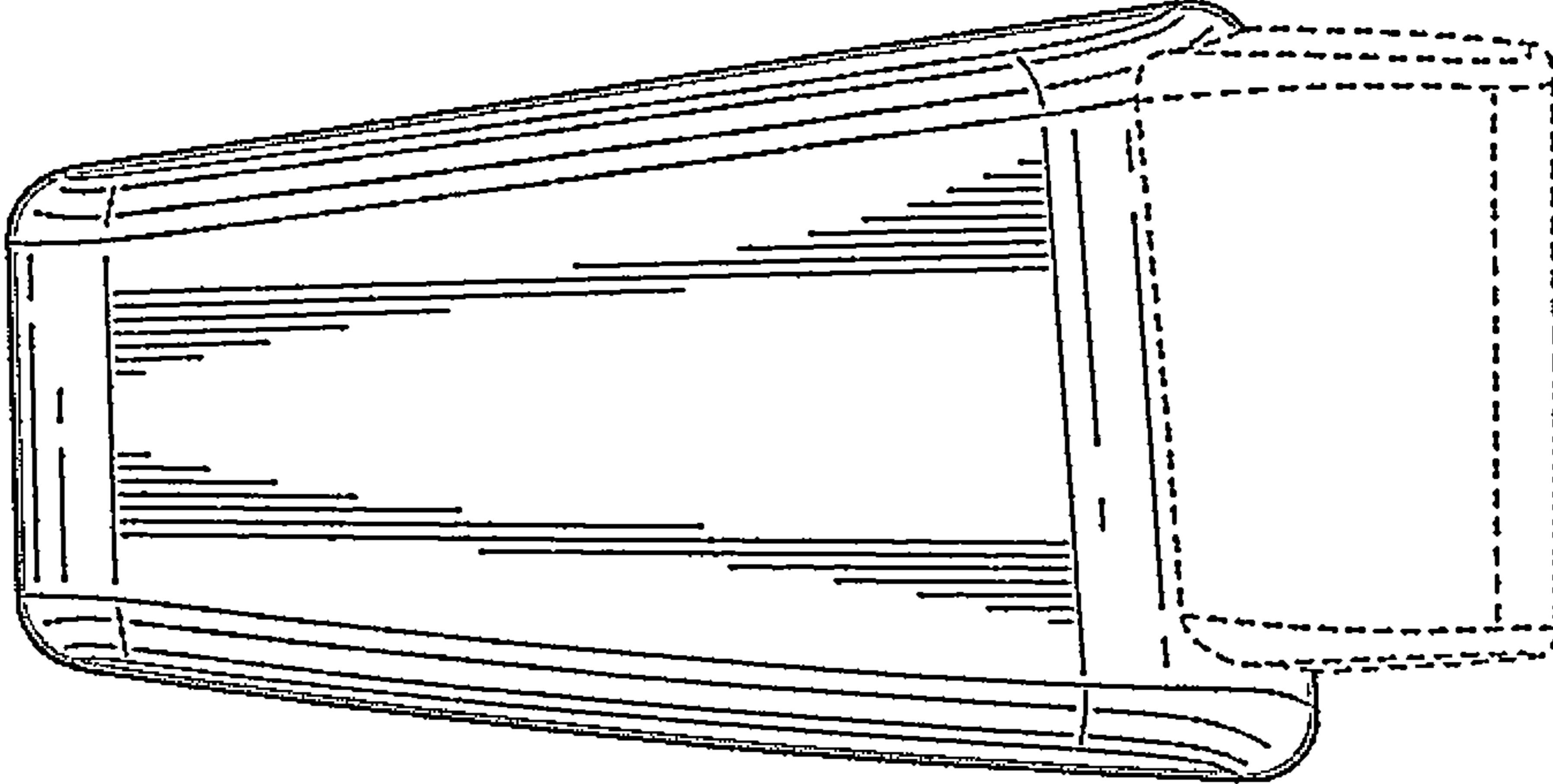


FIG. 7

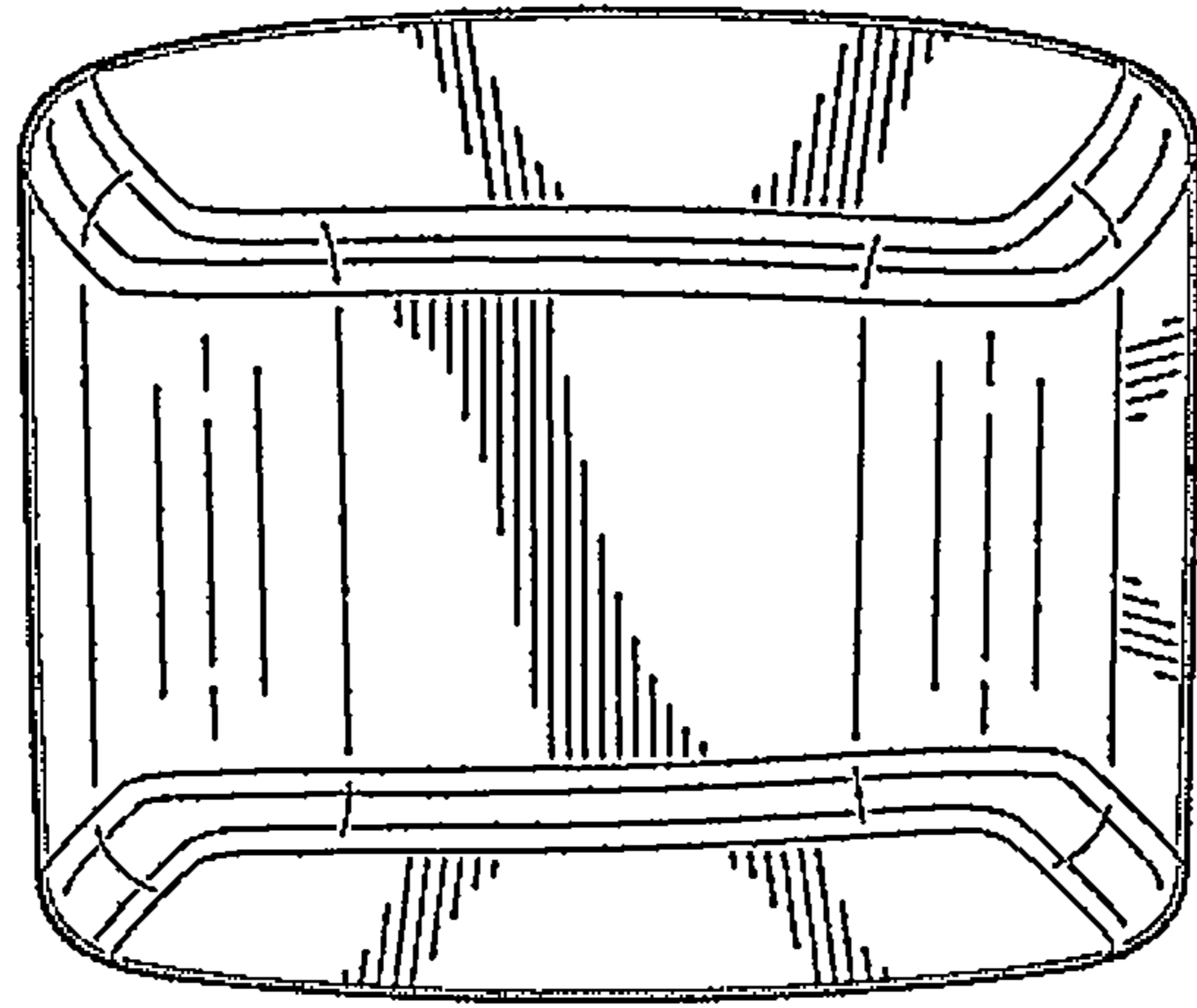


FIG. 8

