



US00D732302S

(12) **United States Design Patent**
Lange et al.

(10) **Patent No.:** **US D732,302 S**
(45) **Date of Patent:** **** Jun. 23, 2015**

(54) **CHAIR**

(71) Applicant: **Gus Design Group Inc.**, Toronto (CA)
(72) Inventors: **Joran Van Lange**, Toronto (CA); **David Podsiadlo**, Toronto (CA)
(73) Assignee: **Gus Design Group Inc.**, Toronto (CA)
(**) Term: **14 Years**
(21) Appl. No.: **29/484,660**
(22) Filed: **Mar. 12, 2014**

(30) **Foreign Application Priority Data**

Nov. 13, 2013 (CA) 153840
(51) **LOC (10) Cl.** **06-01**
(52) **U.S. Cl.**
USPC **D6/379**
(58) **Field of Classification Search**
USPC D6/334-336, 370, 371-373, 374, 375,
D6/376, 379, 380, 716, 716.1, 716.2,
D6/716.3, 716.4
CPC A47C 5/046; A47C 7/54; A47C 3/04;
A47C 4/06; A47C 4/025; A47C 7/021;
A47C 7/18

See application file for complete search history.

(56) **References Cited**

U.S. PATENT DOCUMENTS

D182,740 S *	5/1958	Peabody	D6/379
D183,618 S *	9/1958	Kofod-Larsen	D6/379
D184,824 S *	4/1959	McGuire	D6/379
D188,046 S *	5/1960	Galloway	D6/379
D193,138 S *	7/1962	Ohlsson	D6/379
D193,265 S *	7/1962	Ohlsson	D6/379
D242,886 S *	1/1977	Potter	D6/379
D438,398 S *	3/2001	Frinier	D6/375
D612,628 S *	3/2010	Mourgue	D6/379
D682,576 S *	5/2013	Digirolamo	D6/379
D690,952 S *	10/2013	Becker	D6/379

* cited by examiner

Primary Examiner — Mimoso De

(74) *Attorney, Agent, or Firm* — Carter, DeLuca, Farrell & Schmidt, LLP

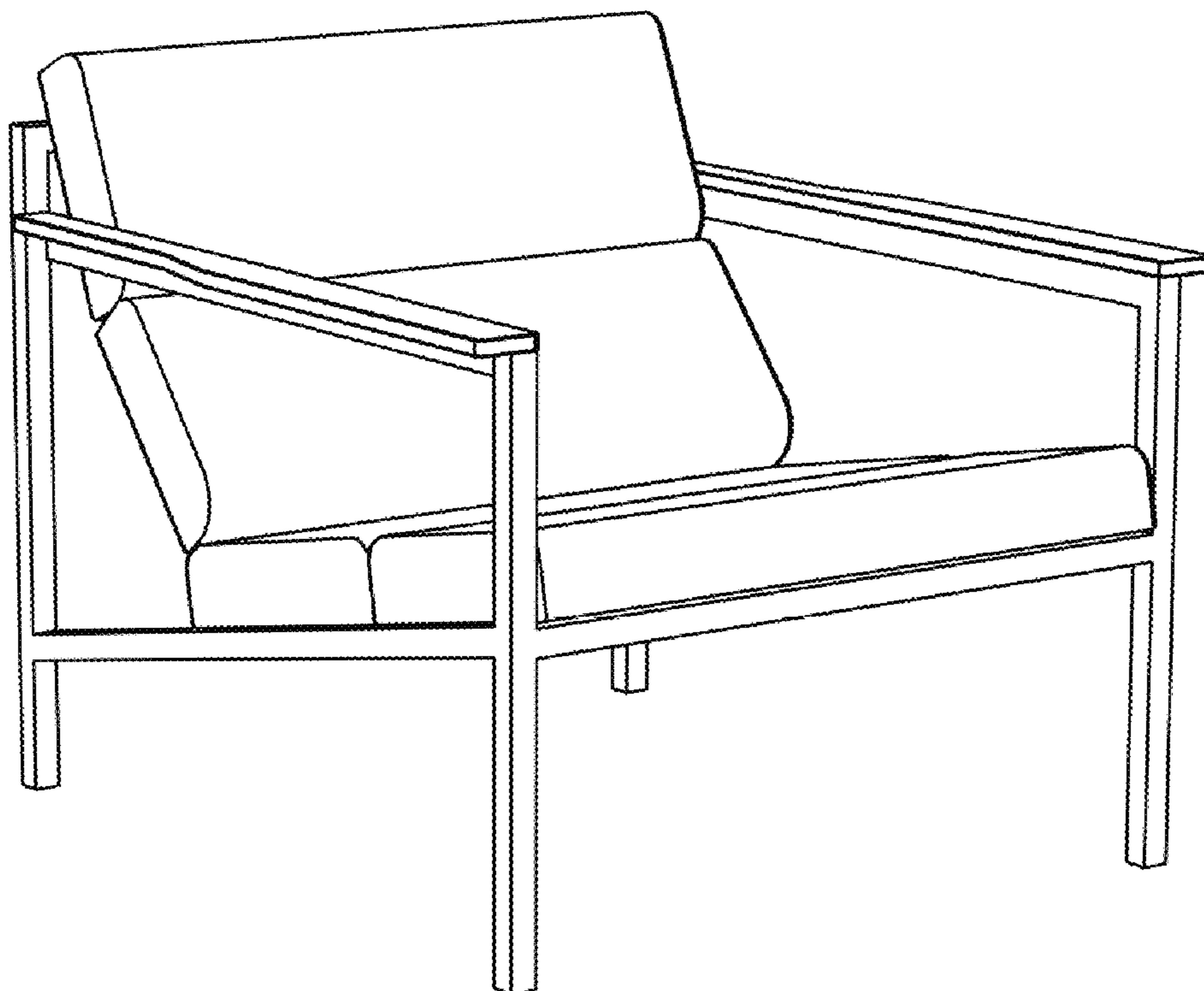
(57) **CLAIM**

The ornamental design for a chair, as shown and described.

DESCRIPTION

FIG. 1 is a perspective view of a chair in accordance with the present design;
FIG. 2 is a right side elevational view thereof, the left side elevational view being a mirror image thereof;
FIG. 3 is a front elevational view thereof;
FIG. 4 is a rear elevational view thereof;
FIG. 5 is a top plan view thereof; and,
FIG. 6 is a bottom plan view thereof.

1 Claim, 3 Drawing Sheets



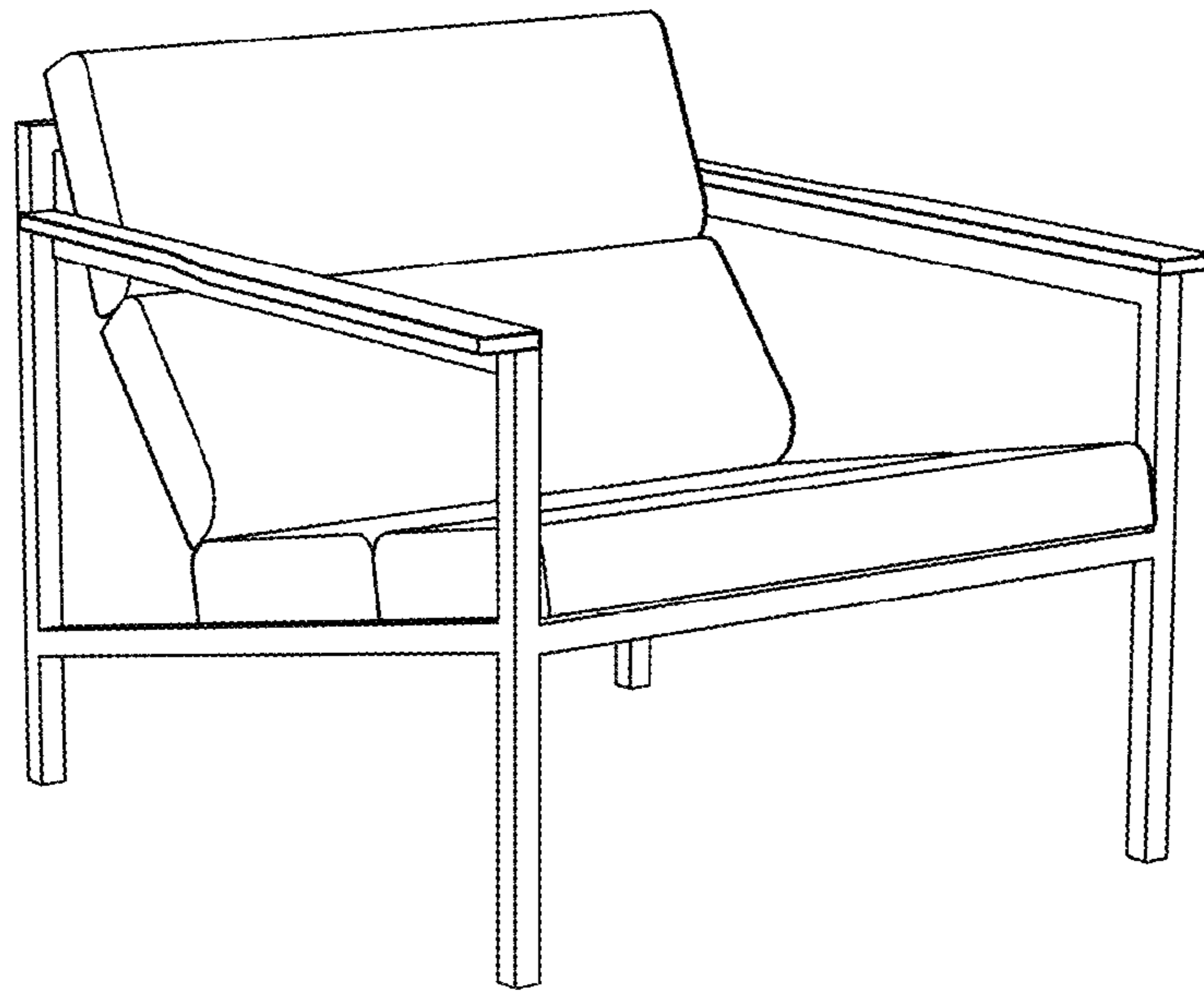


FIG. 1

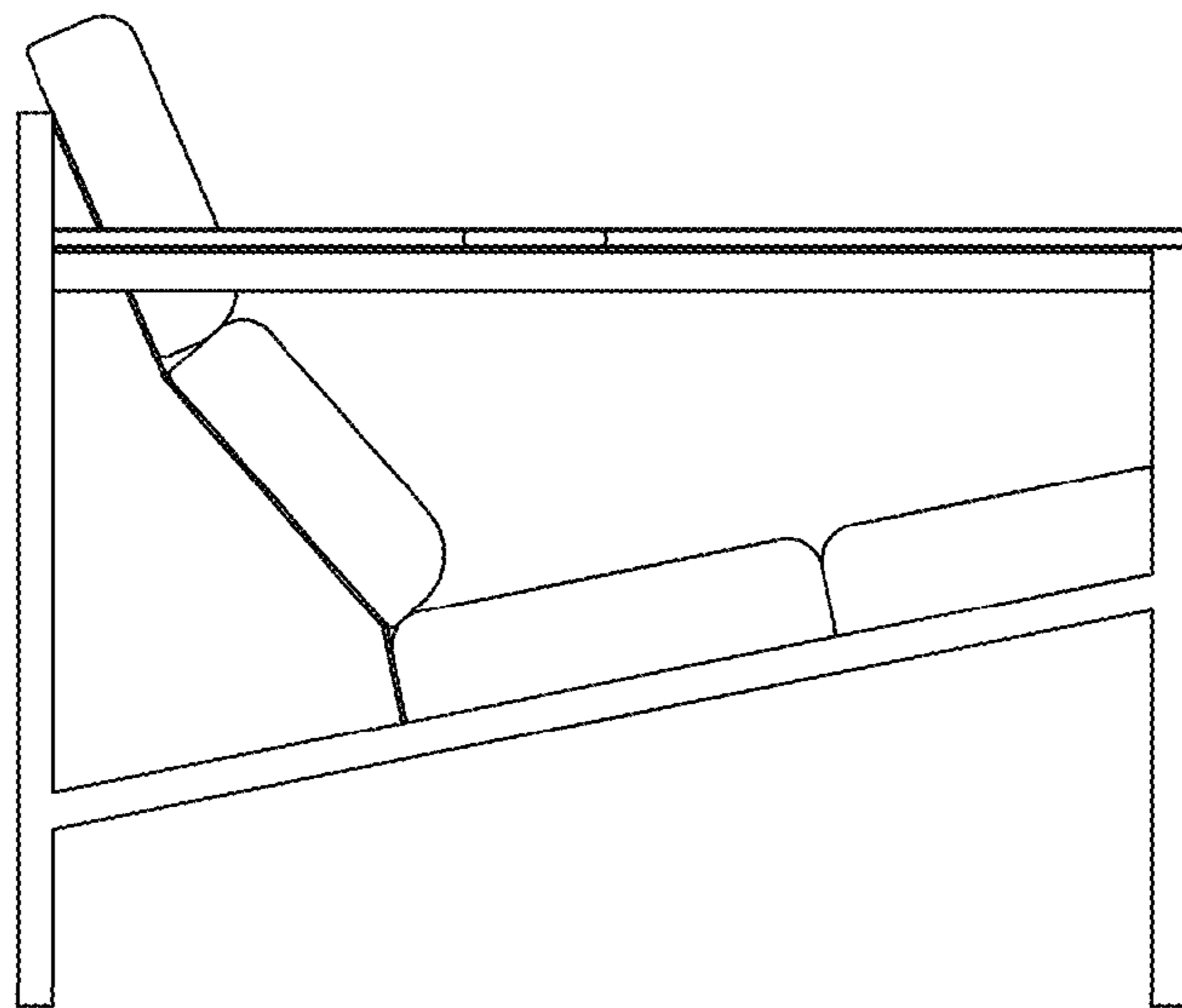


FIG. 2

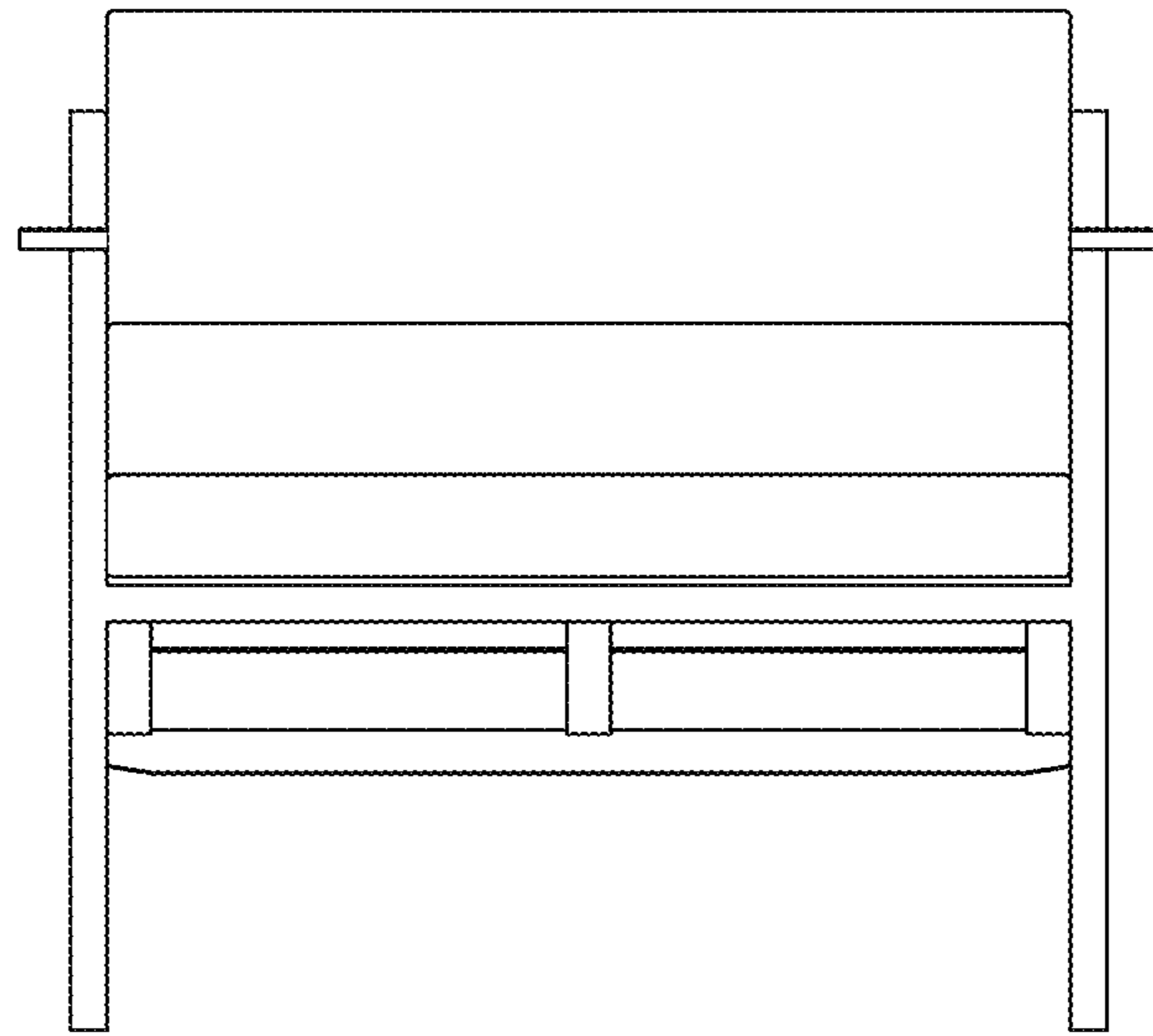


FIG. 3

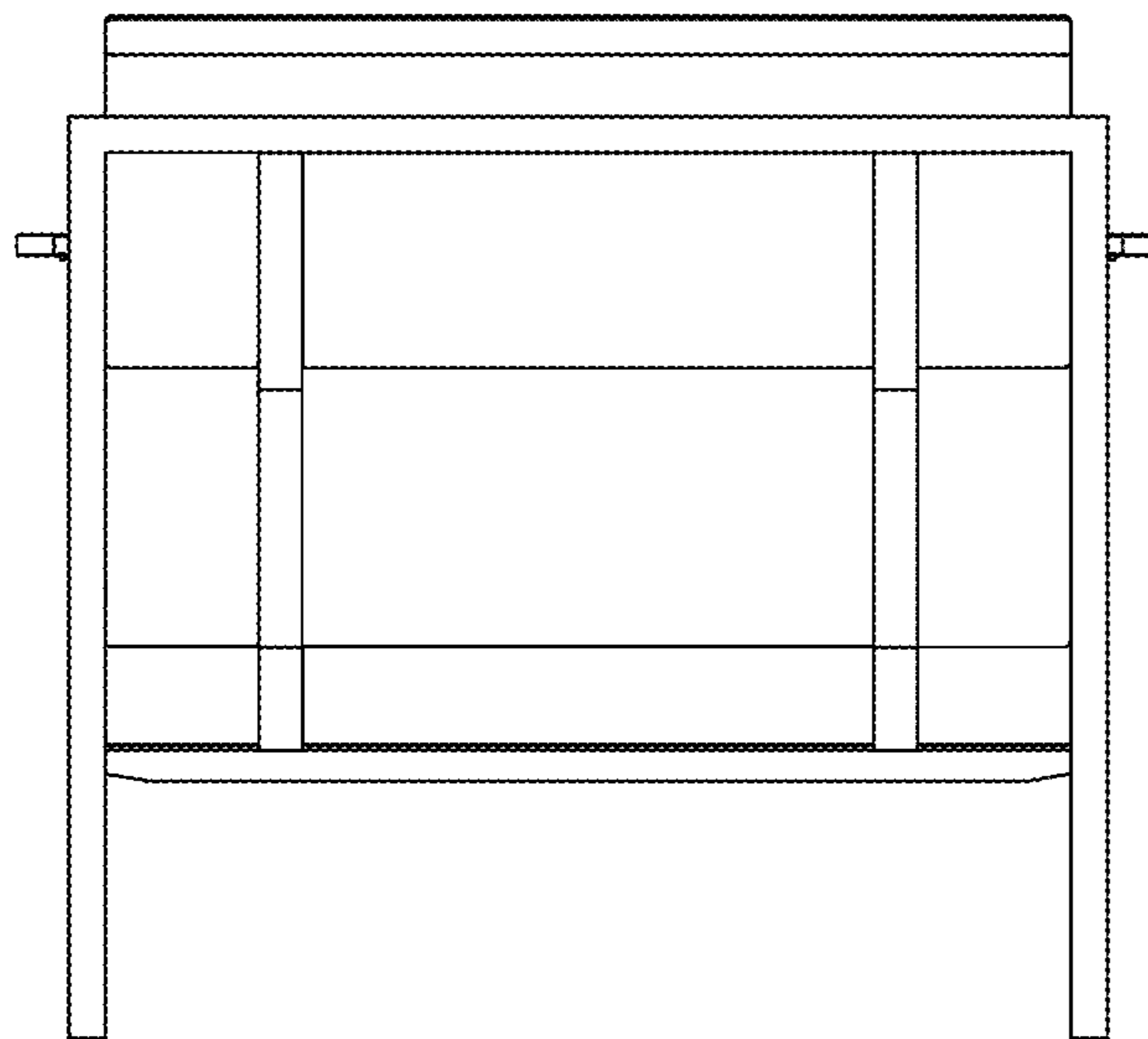


FIG. 4

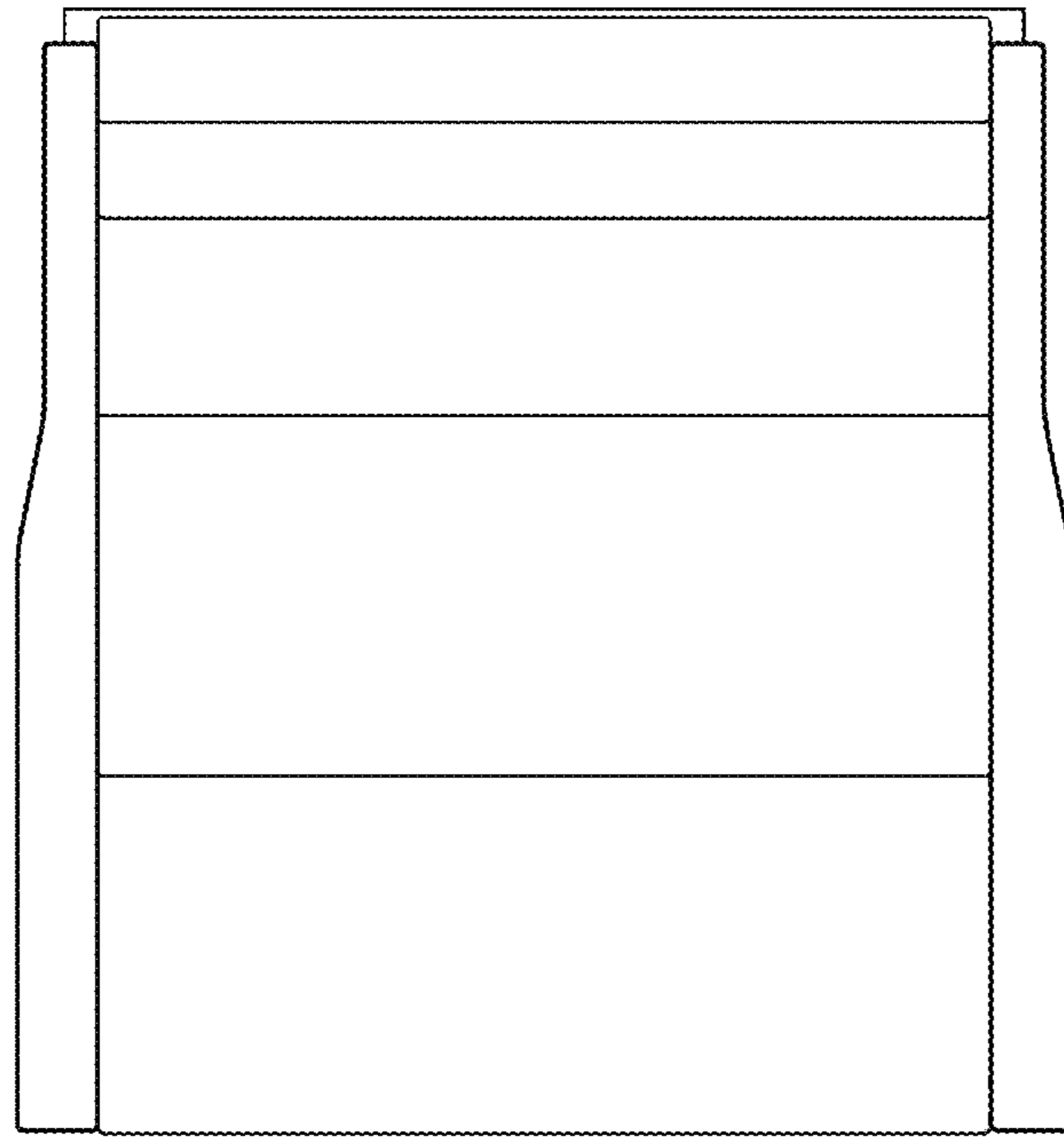


FIG. 5

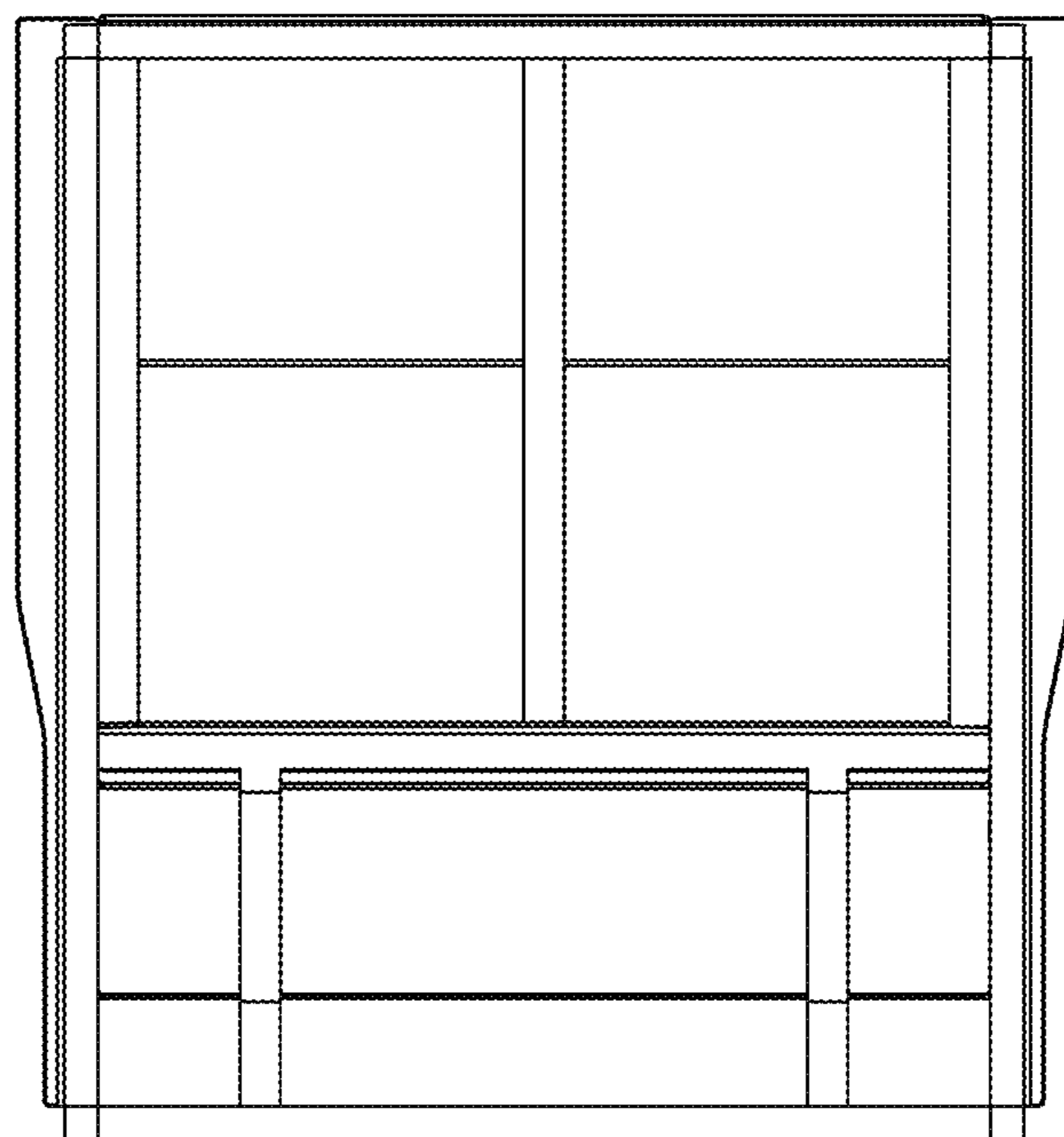


FIG. 6