



US00D732300S

(12) **United States Design Patent**  
**Urbanski et al.**

(10) **Patent No.:** **US D732,300 S**  
(45) **Date of Patent:** **\*\* Jun. 23, 2015**

(54) **JEAN JACK**

(71) Applicants: **Kathy A. Urbanski**, Scotia, NY (US);  
**Edward J. Urbanski**, Scotia, NY (US)

(72) Inventors: **Kathy A. Urbanski**, Scotia, NY (US);  
**Edward J. Urbanski**, Scotia, NY (US)

(\*\*) Term: **14 Years**

(21) Appl. No.: **29/479,770**

(22) Filed: **Jan. 20, 2014**

(51) **LOC (10) Cl.** ..... **06-08**

(52) **U.S. Cl.**  
USPC ..... **D6/323; D8/372**

(58) **Field of Classification Search**  
USPC ..... D6/315–328, 552; 223/85–98; 211/1,  
211/13.1, 85.3, 113; D8/367, 370, 371,  
D8/372, 373; 248/211, 215, 301, 304, 339  
CPC ..... A47G 25/32; A47G 25/28; A47G 25/743;  
A47G 25/746; A47G 29/083; A47G 25/06;  
A47G 25/0607; A47G 25/10; A47G 25/38;  
A47G 29/08; A47G 1/17; A47G 7/044;  
A47G 29/00

See application file for complete search history.

(56) **References Cited**

U.S. PATENT DOCUMENTS

710,803	A *	10/1902	Richmond	.....	452/166
1,492,841	A *	5/1924	Flagstad	.....	211/31
D97,999	S *	12/1935	Hamilton	.....	D6/320
D283,786	S *	5/1986	Chap	.....	D8/370
D295,344	S *	4/1988	Pryor et al.	.....	D6/323
D335,935	S *	5/1993	Rouail	.....	D28/73
D344,868	S *	3/1994	Martinell	.....	D6/552
D352,628	S *	11/1994	James	.....	D6/552
D378,326	S *	3/1997	Goodner	.....	D6/320
D542,126	S *	5/2007	Ernst et al.	.....	D8/373
D581,771	S *	12/2008	Ernst et al.	.....	D8/372

\* cited by examiner

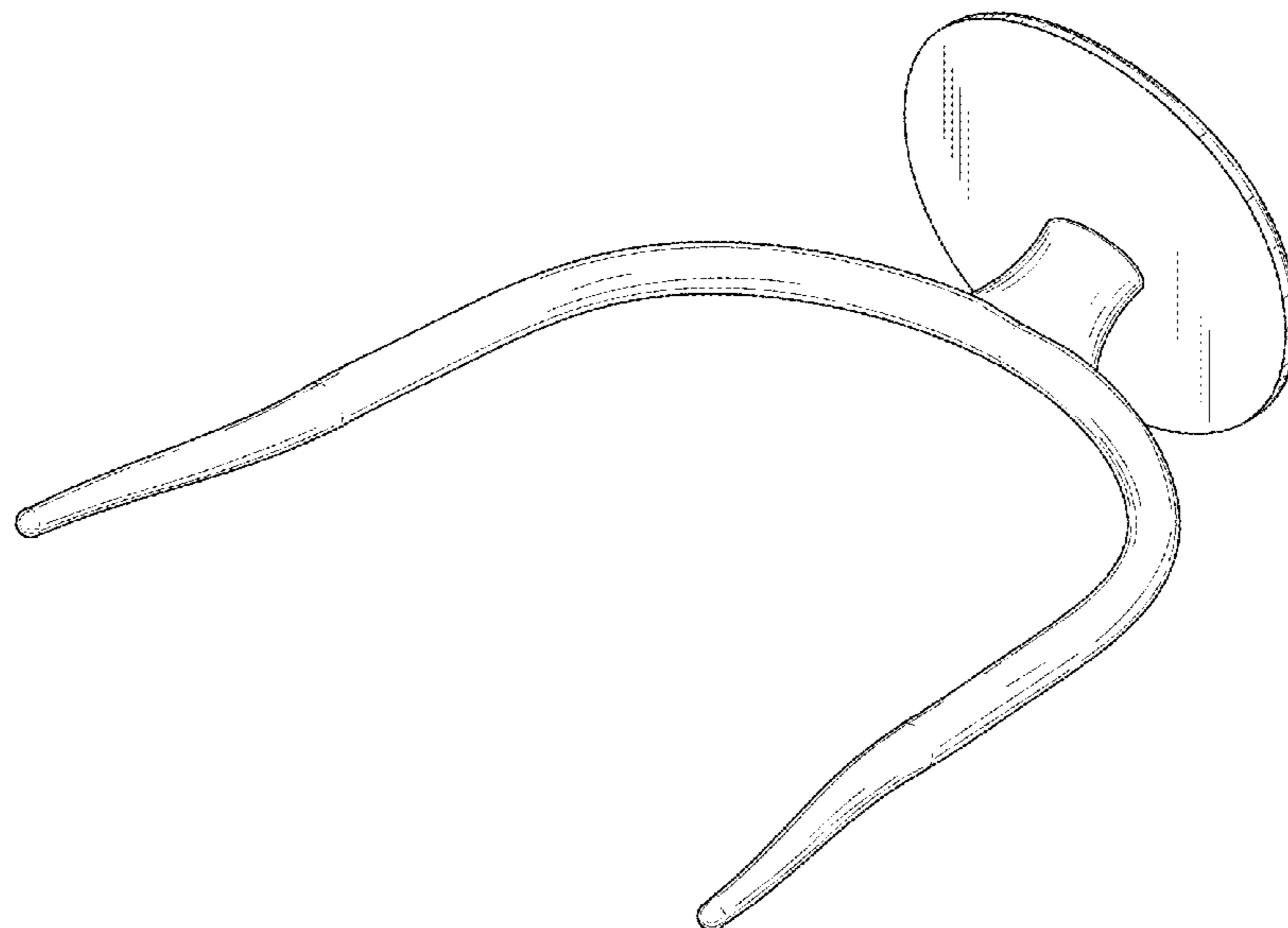
*Primary Examiner* — Derrick Holland  
*Assistant Examiner* — Lauren Calve

(57) **CLAIM**  
The ornamental design for a jean jack, as shown and described.

**DESCRIPTION**

FIG. 1 is a perspective view of a jean jack;  
FIG. 2 is a front elevational view thereof;  
FIG. 3 is a rear elevational view thereof;  
FIG. 4 is a right-side elevational view thereof;  
FIG. 5 is a left-side elevational view thereof;  
FIG. 6 is a bottom plan view thereof; and,  
FIG. 7 is a top plan view thereof.  
The broken lines shown represent unclaimed subject matter and form no part of the claimed design.

**1 Claim, 7 Drawing Sheets**



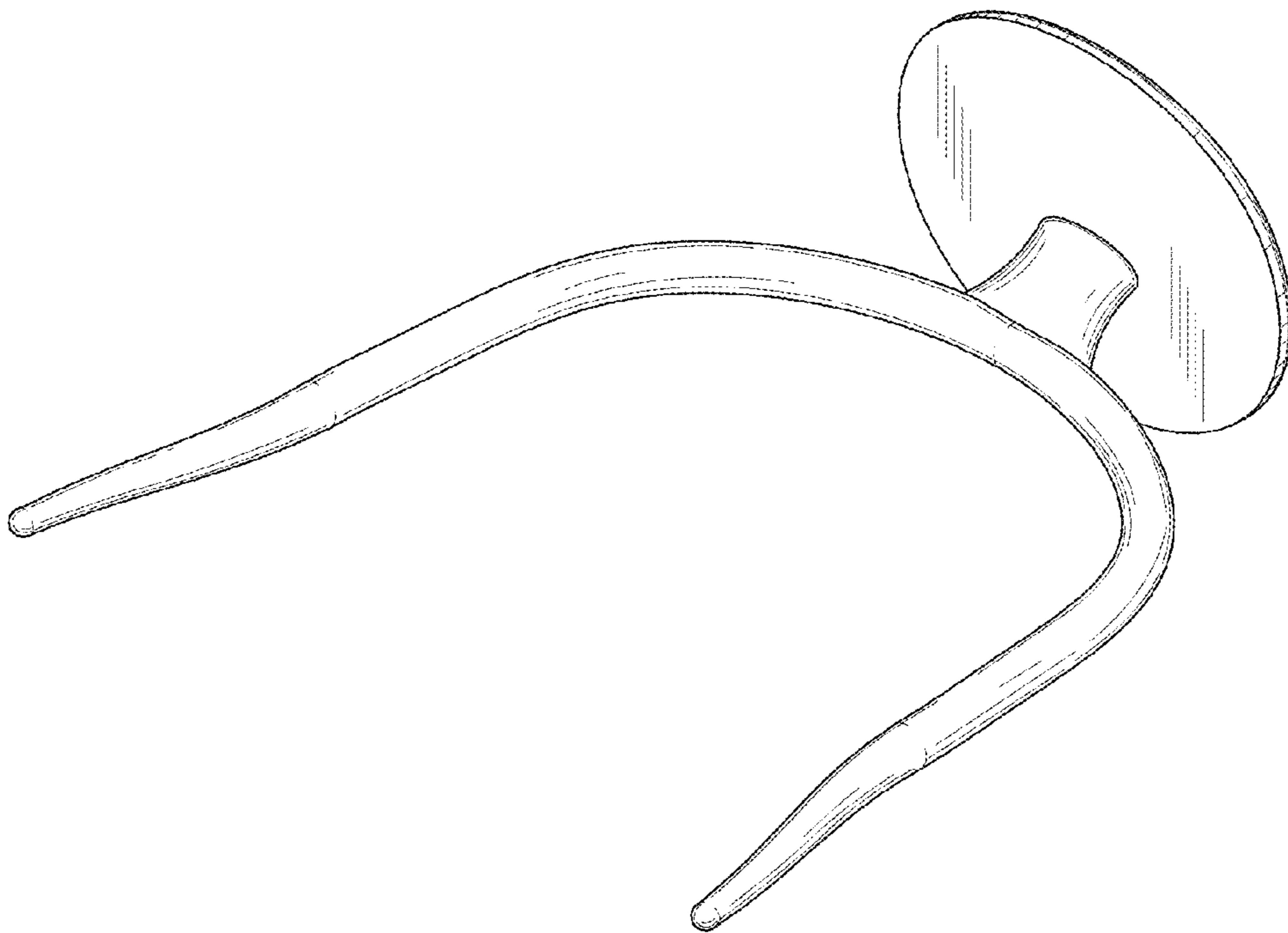


FIG. 1

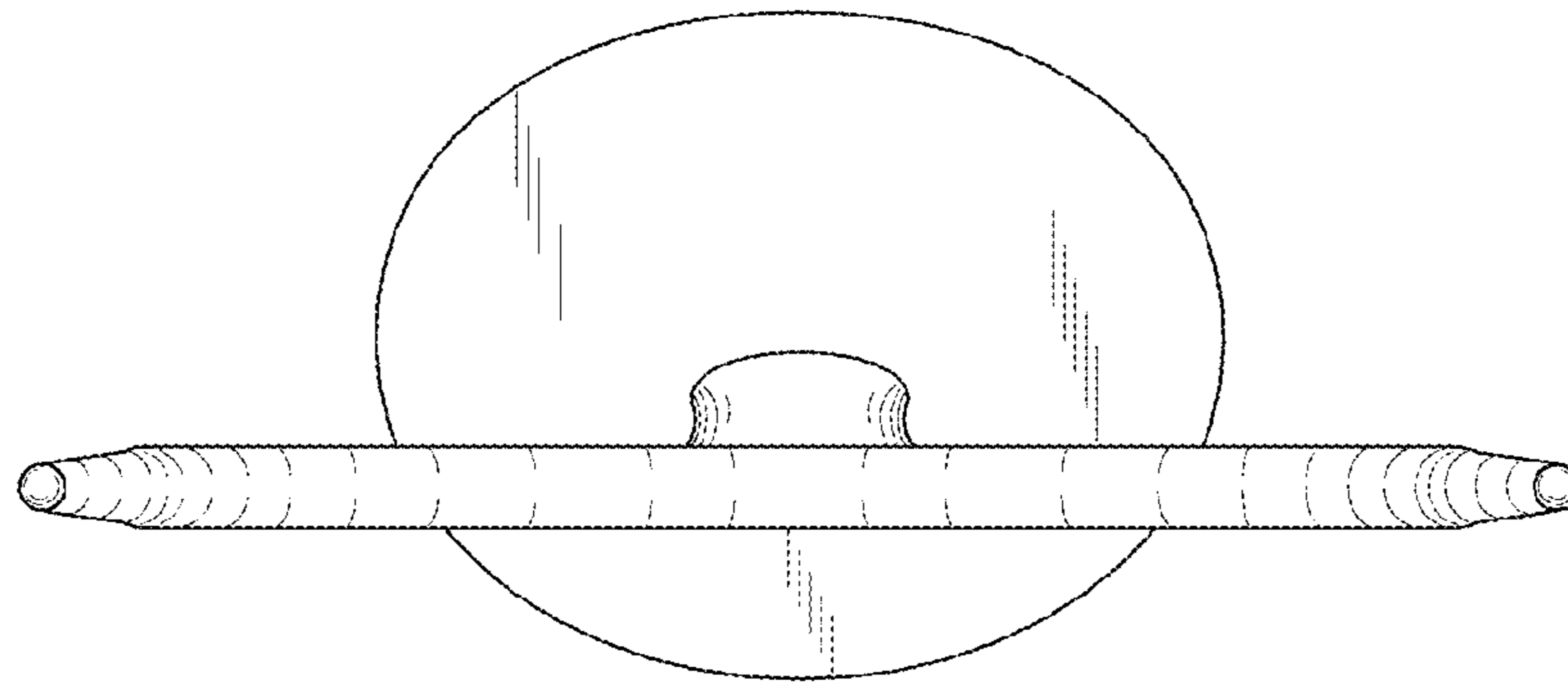


FIG. 2

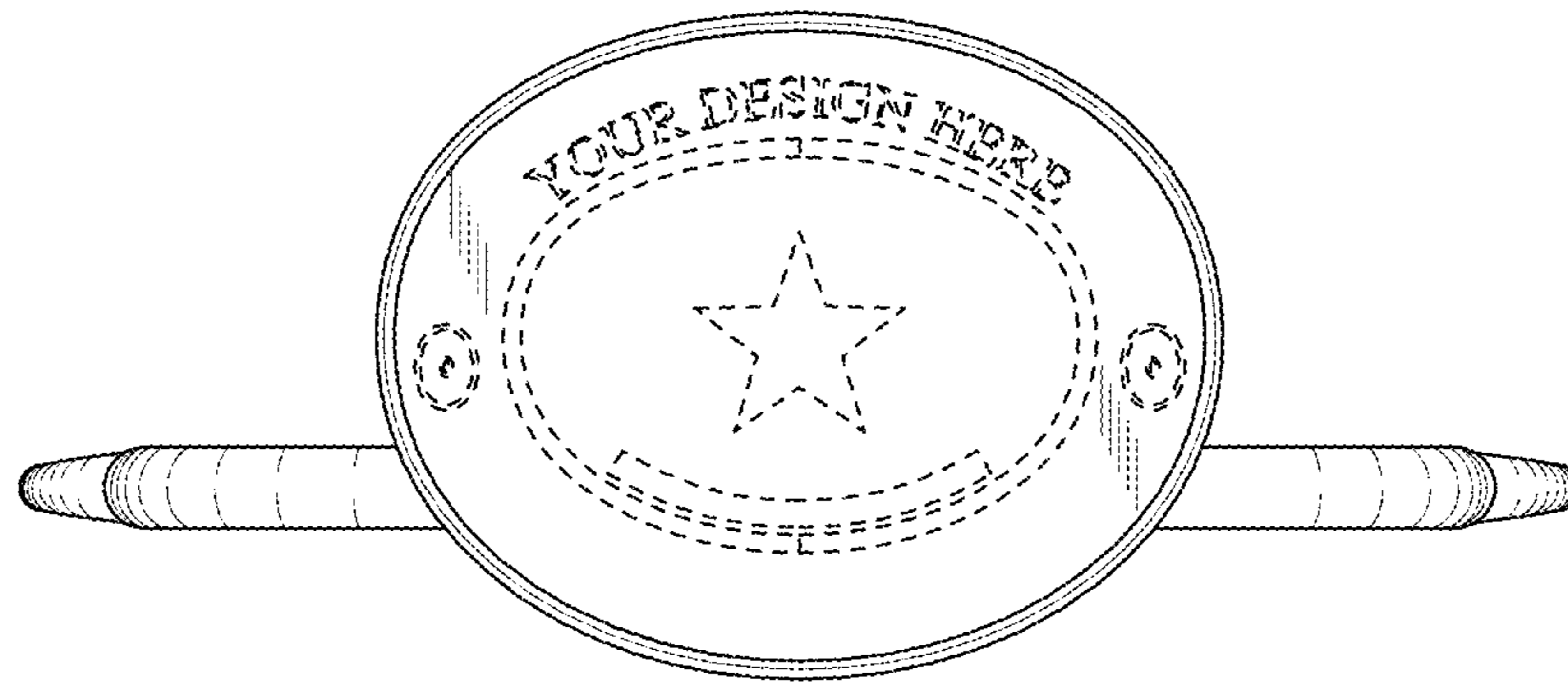


FIG. 3

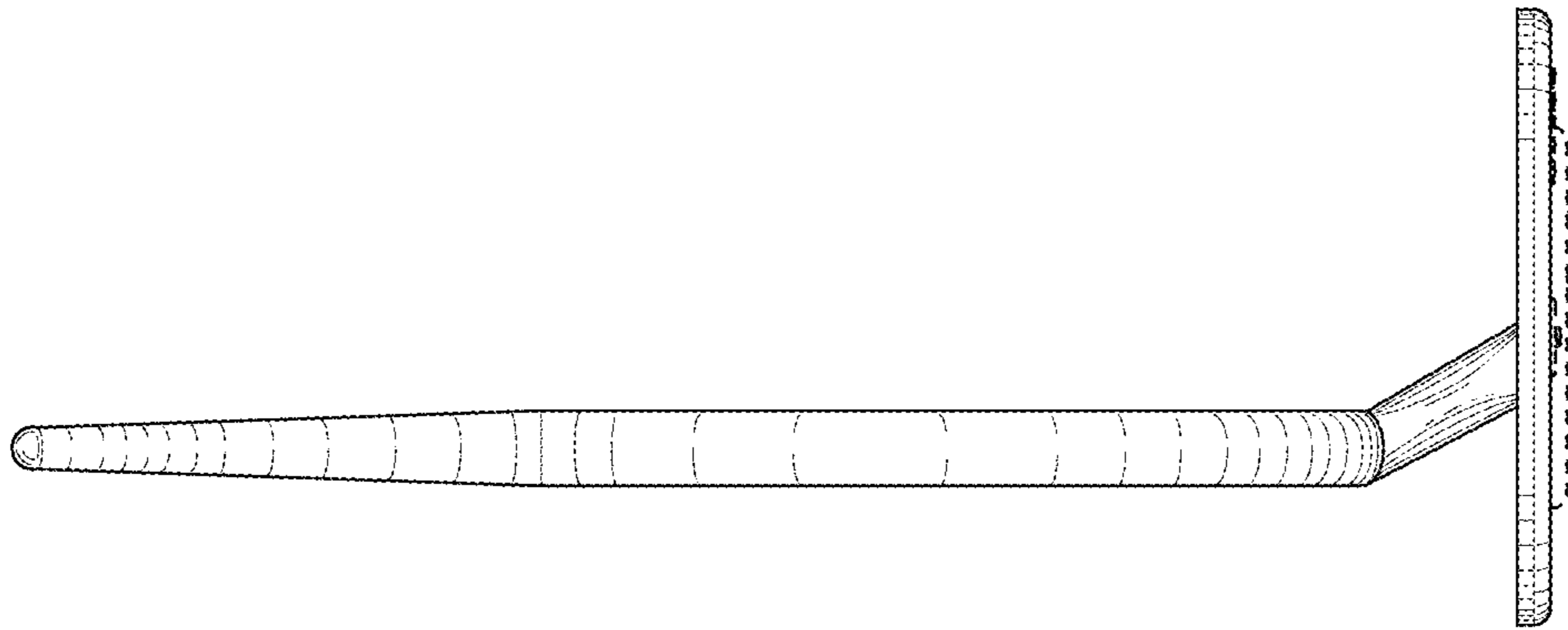


FIG. 4

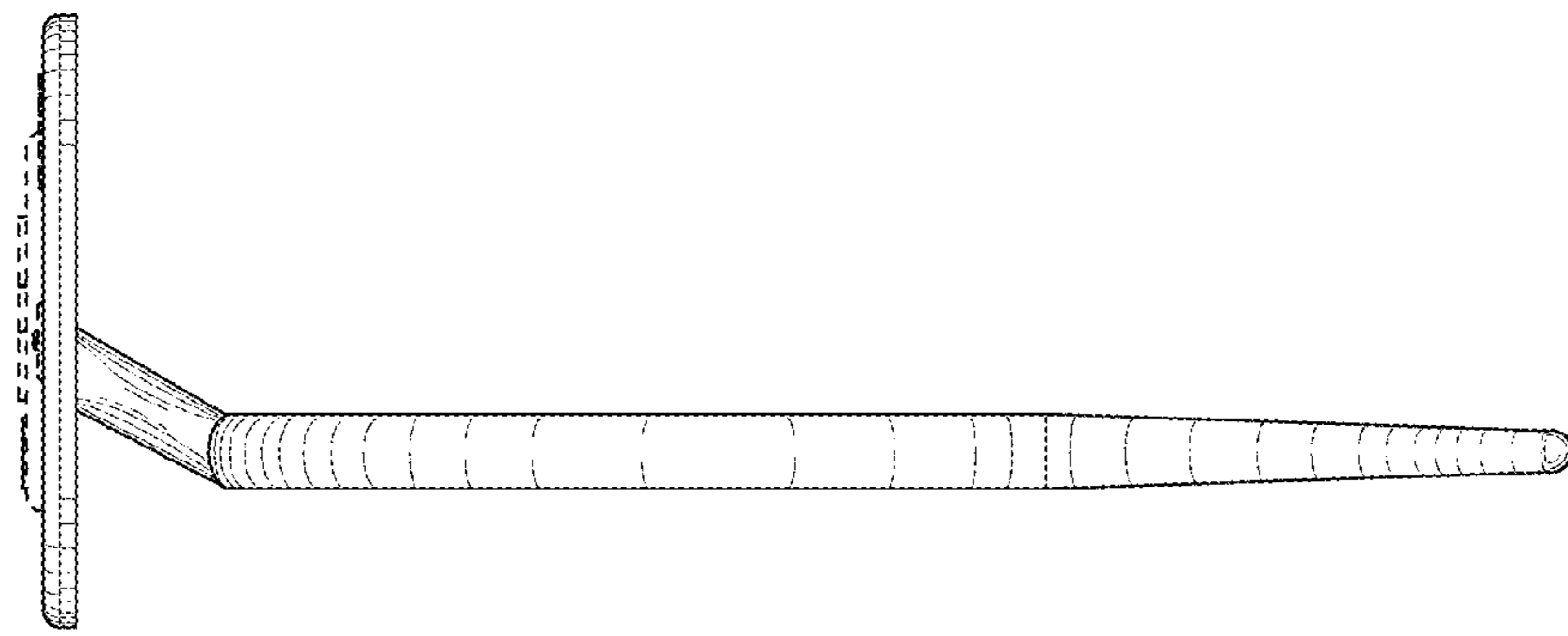


FIG. 5

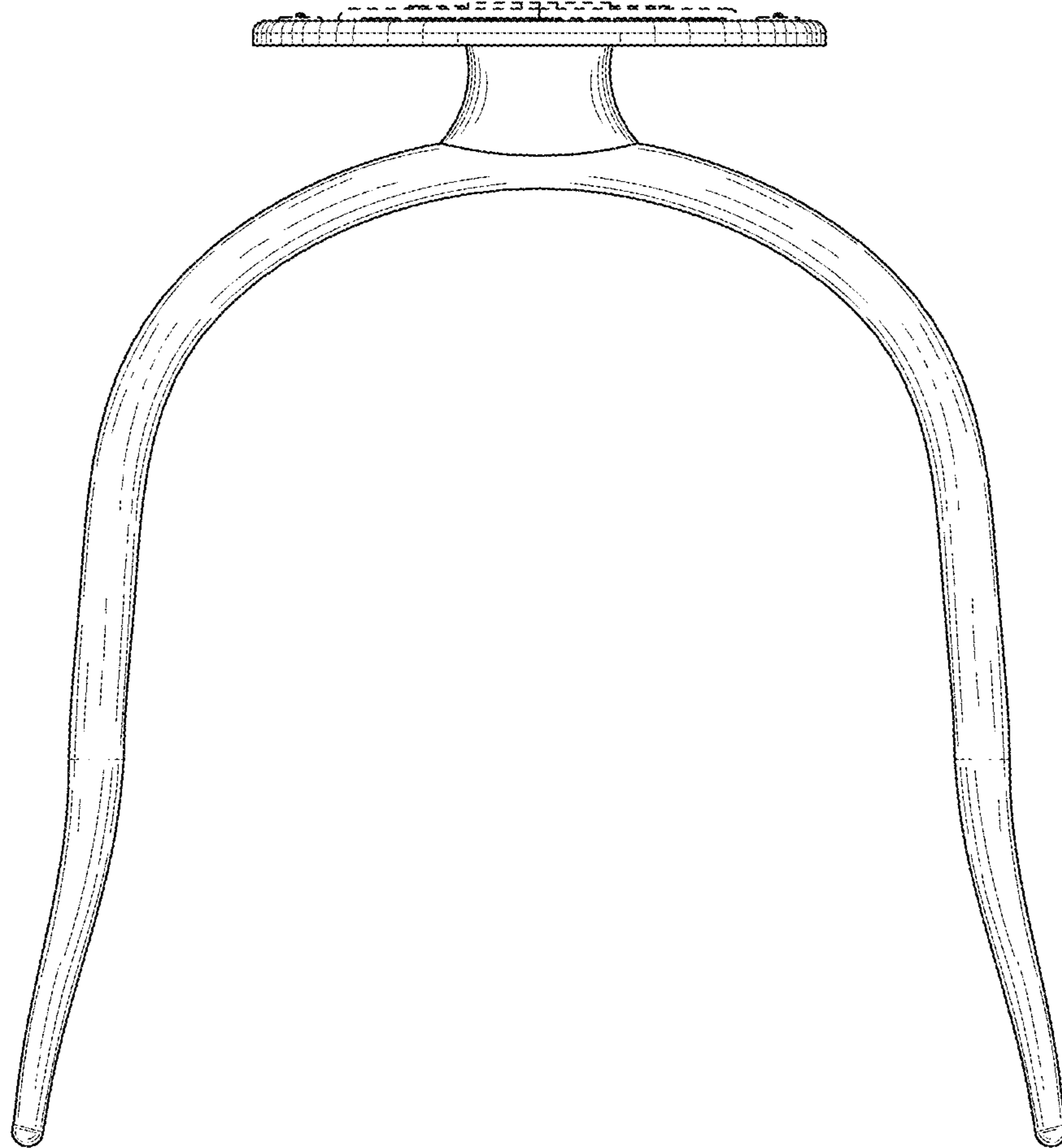


FIG. 6

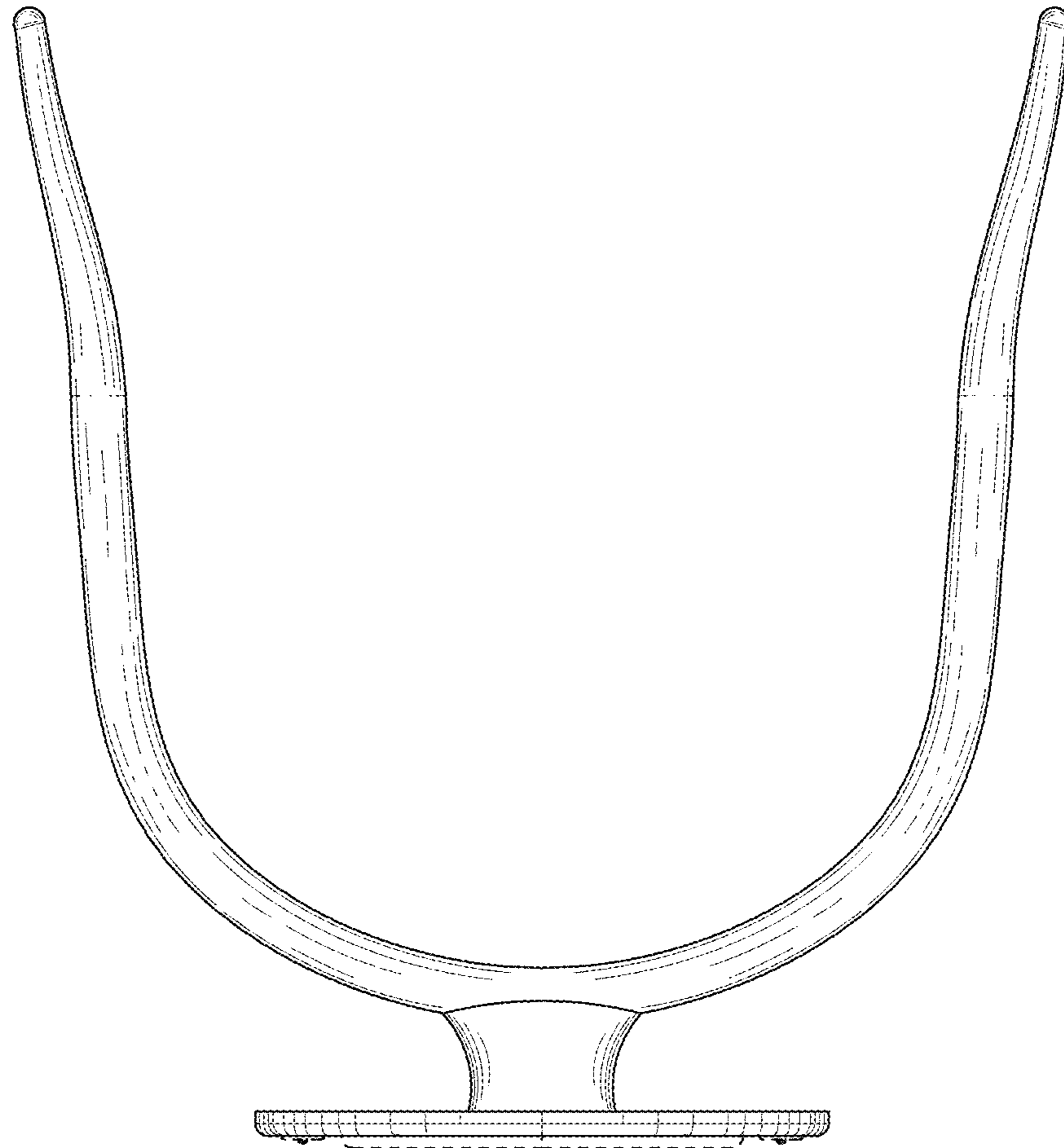


FIG. 7