



US00D732295S

(12) **United States Design Patent**
Aafjes

(10) **Patent No.:** **US D732,295 S**
(45) **Date of Patent:** **** Jun. 23, 2015**

(54) **LUGGAGE STRAP**

(71) Applicant: **Peter Aafjes**, Amsterdam (NL)

(72) Inventor: **Peter Aafjes**, Amsterdam (NL)

(**) Term: **14 Years**

(21) Appl. No.: **29/485,591**

(22) Filed: **Mar. 20, 2014**

(30) **Foreign Application Priority Data**

Jan. 22, 2014 (EM) 002389452

(51) **LOC (10) Cl.** **03-01**

(52) **U.S. Cl.**
USPC **D3/327; D3/318**

(58) **Field of Classification Search**
USPC D3/318, 327
CPC E05B 65/52; A45C 13/22
See application file for complete search history.

(56) **References Cited**

U.S. PATENT DOCUMENTS

6,684,667 B2 * 2/2004 Young 70/18
D646,486 S * 10/2011 Konigsberg et al. D3/327

* cited by examiner

Primary Examiner — Holly Baynham

(74) *Attorney, Agent, or Firm* — Donald J. Ranft; Kristen A. Mogavero; Collen IP

(57) **CLAIM**

The ornamental design for a luggage strap, as shown.

DESCRIPTION

FIG. 1 is a top perspective view of a luggage strap showing my new design;

FIG. 2 is a bottom perspective view thereof;

FIG. 3 is a top view thereof;

FIG. 4 is a bottom view thereof;

FIG. 5 is a left side view thereof;

FIG. 6 is a right side view thereof;

FIG. 7 is a front view thereof;

FIG. 8 is a rear view thereof;

FIG. 9 is a top perspective view with the parts combined thereof;

FIG. 10 is a bottom perspective view thereof;

FIG. 11 is an additional perspective view thereof;

FIG. 12 is a top view thereof;

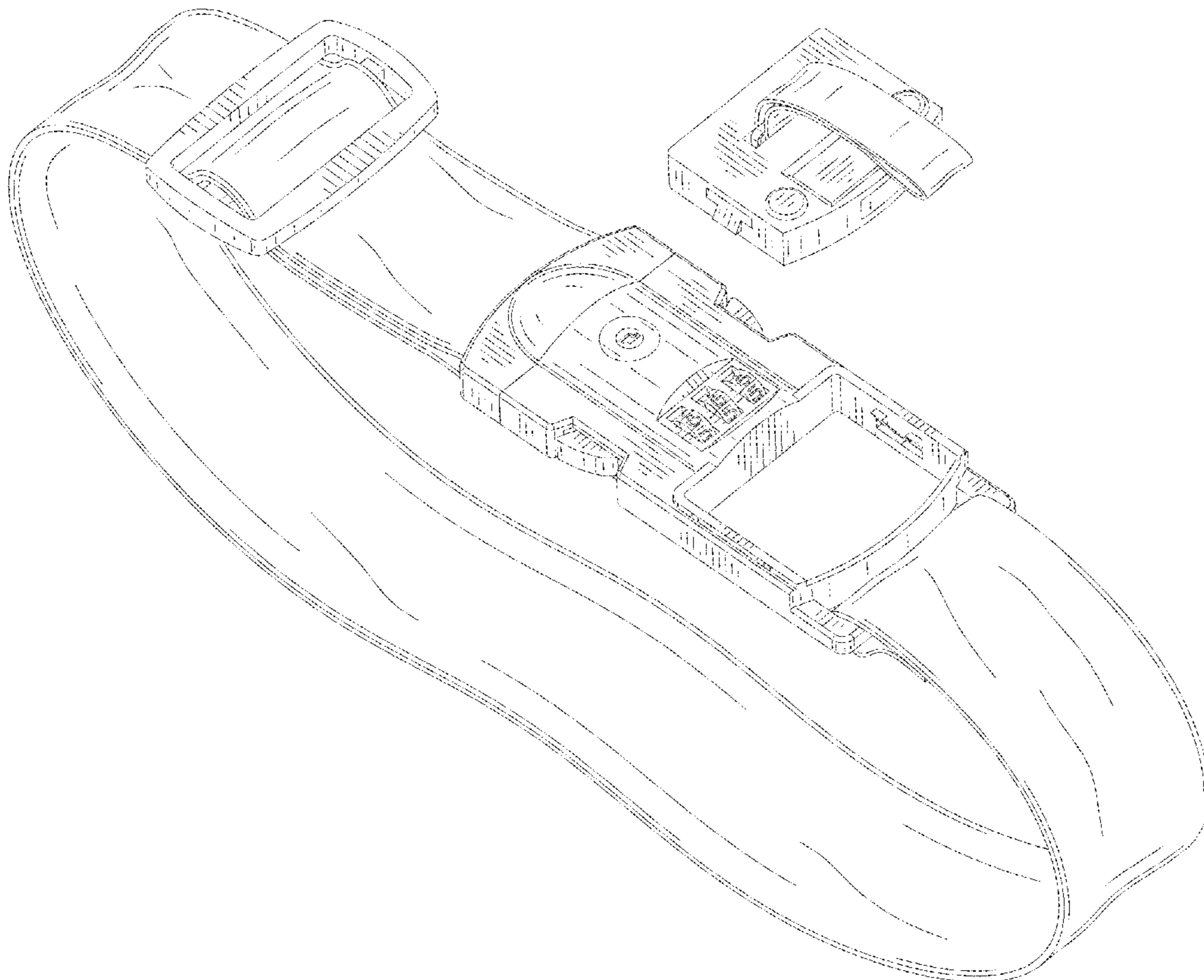
FIG. 13 is a bottom view thereof;

FIG. 14 is a left side view thereof;

FIG. 15 is a right side view thereof; and,

FIG. 16 is a front view of the luggage strap with the back view being a mirror image.

1 Claim, 13 Drawing Sheets



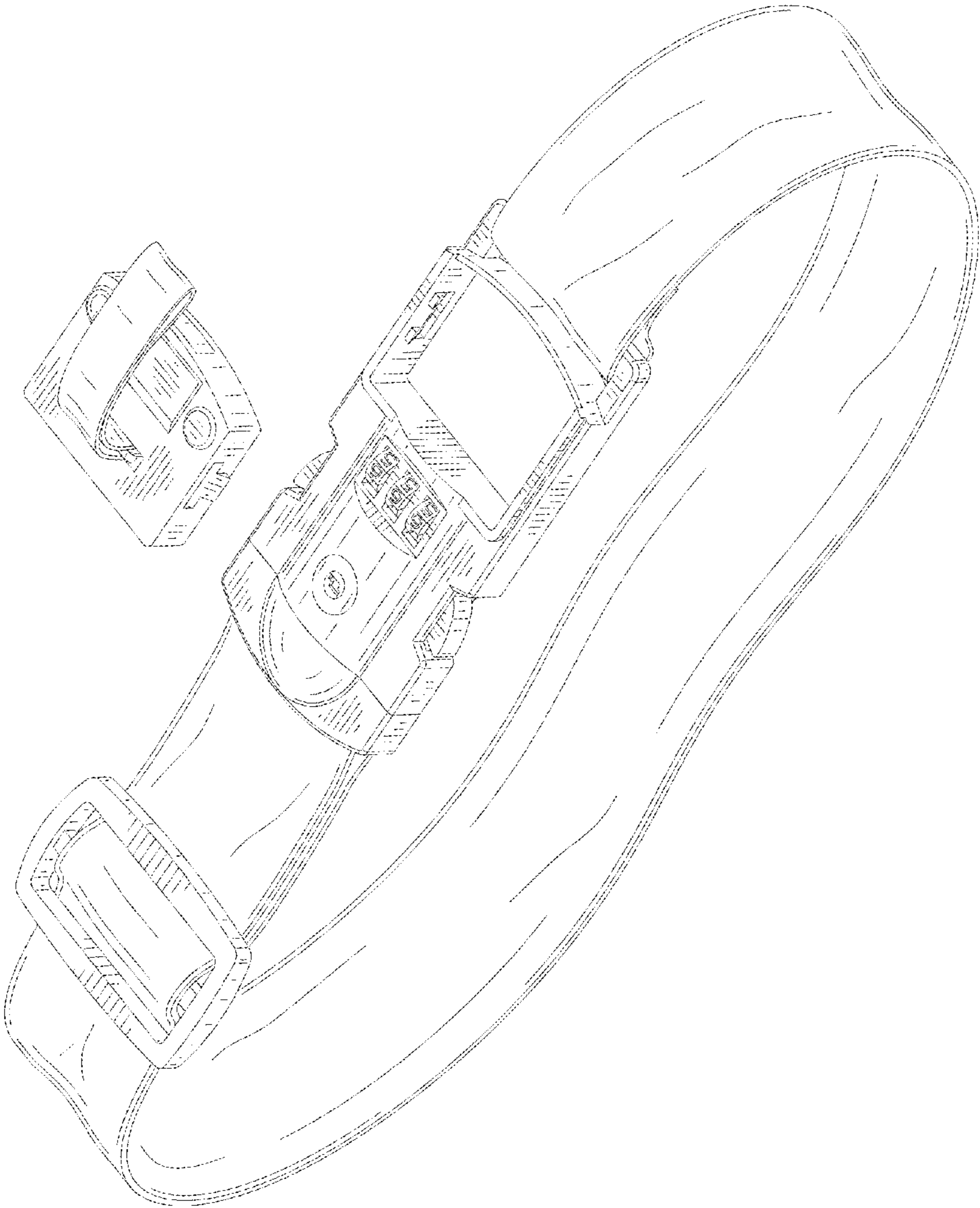


FIG. 1

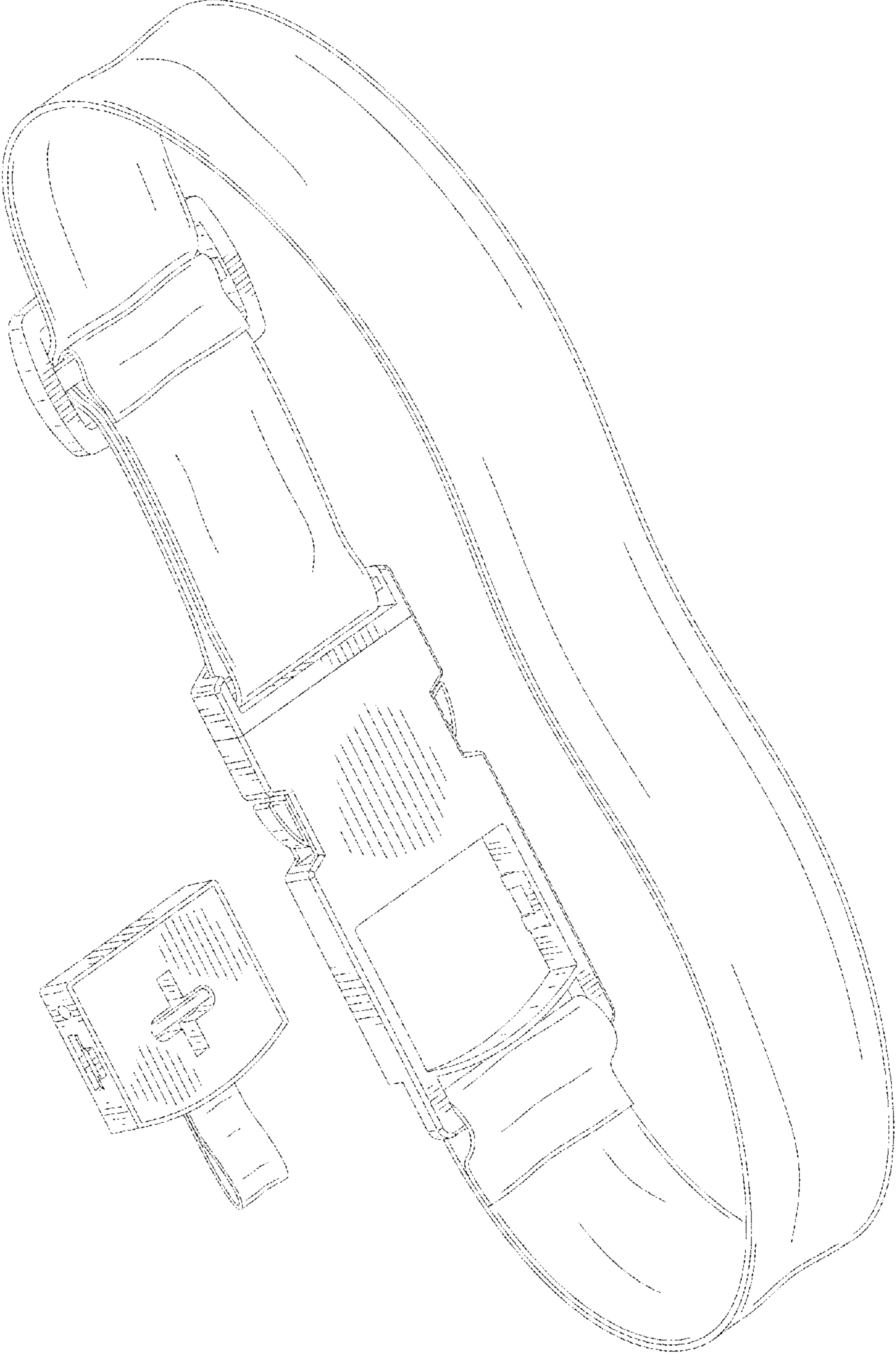


FIG. 2

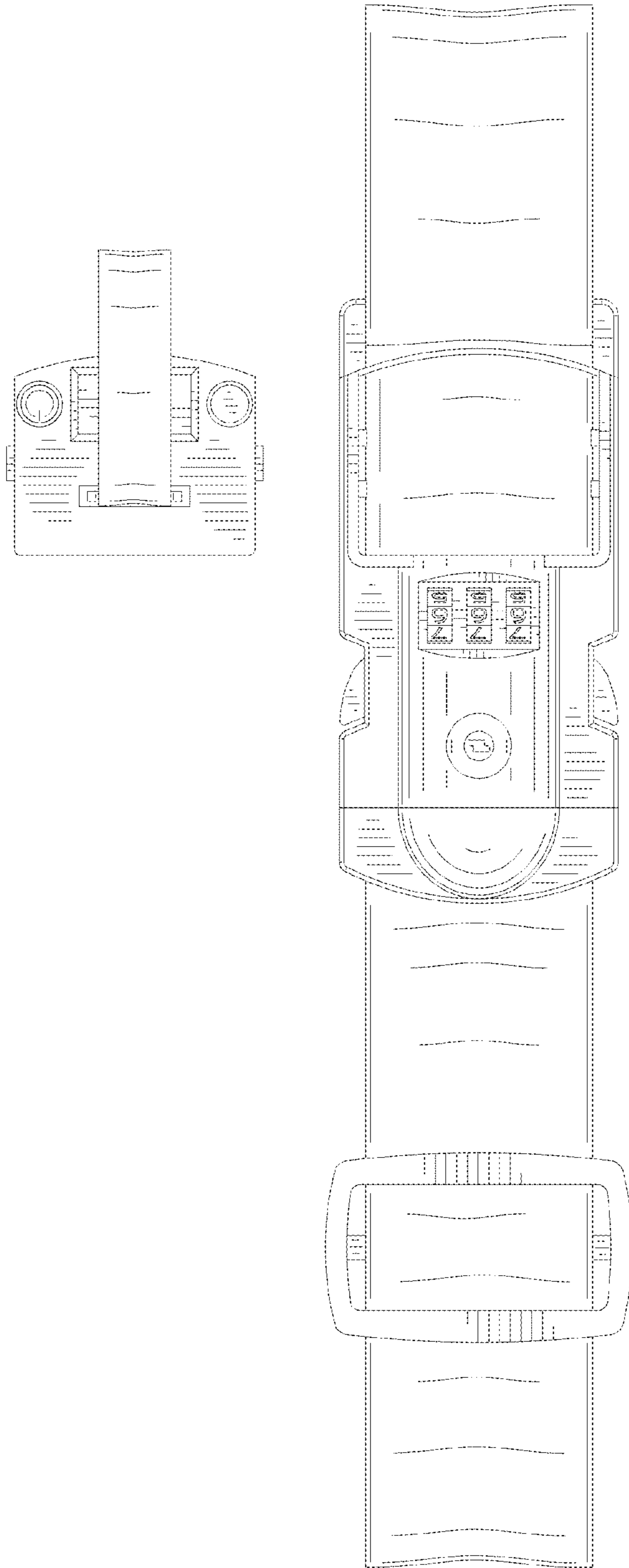


FIG. 3

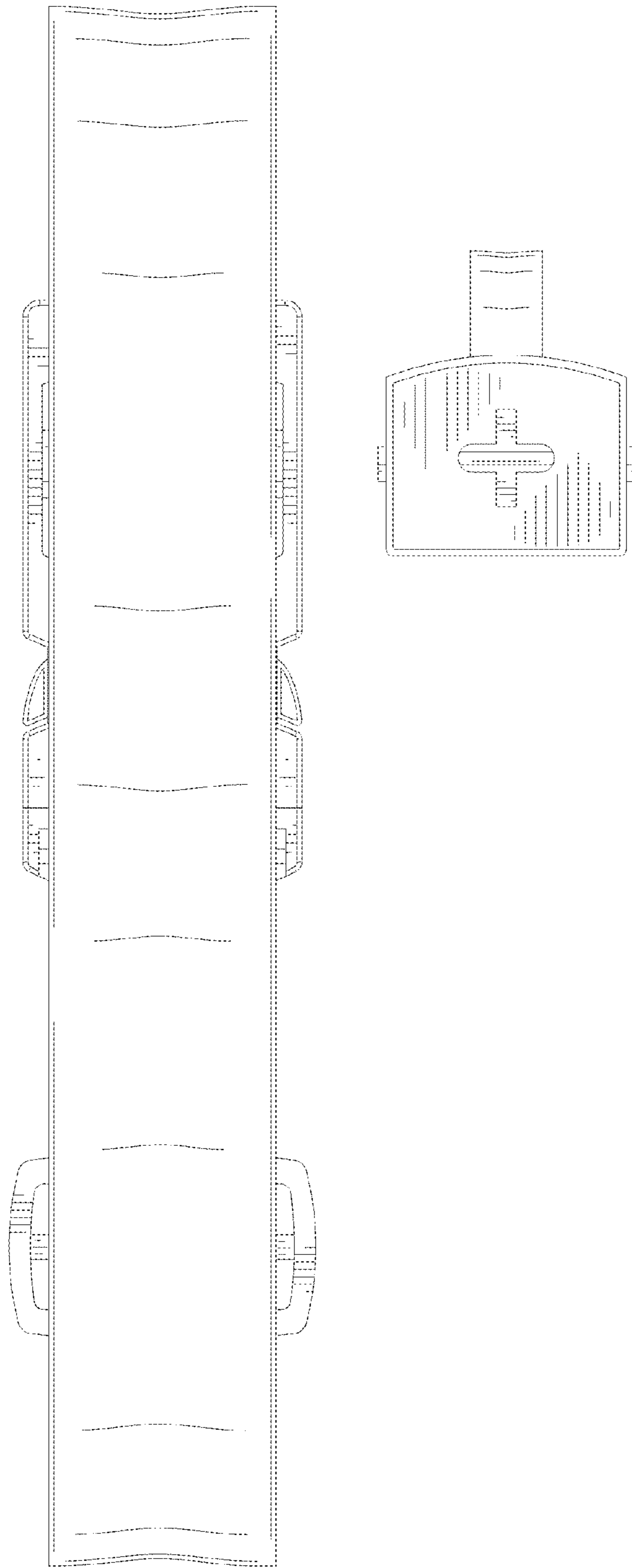


FIG. 4

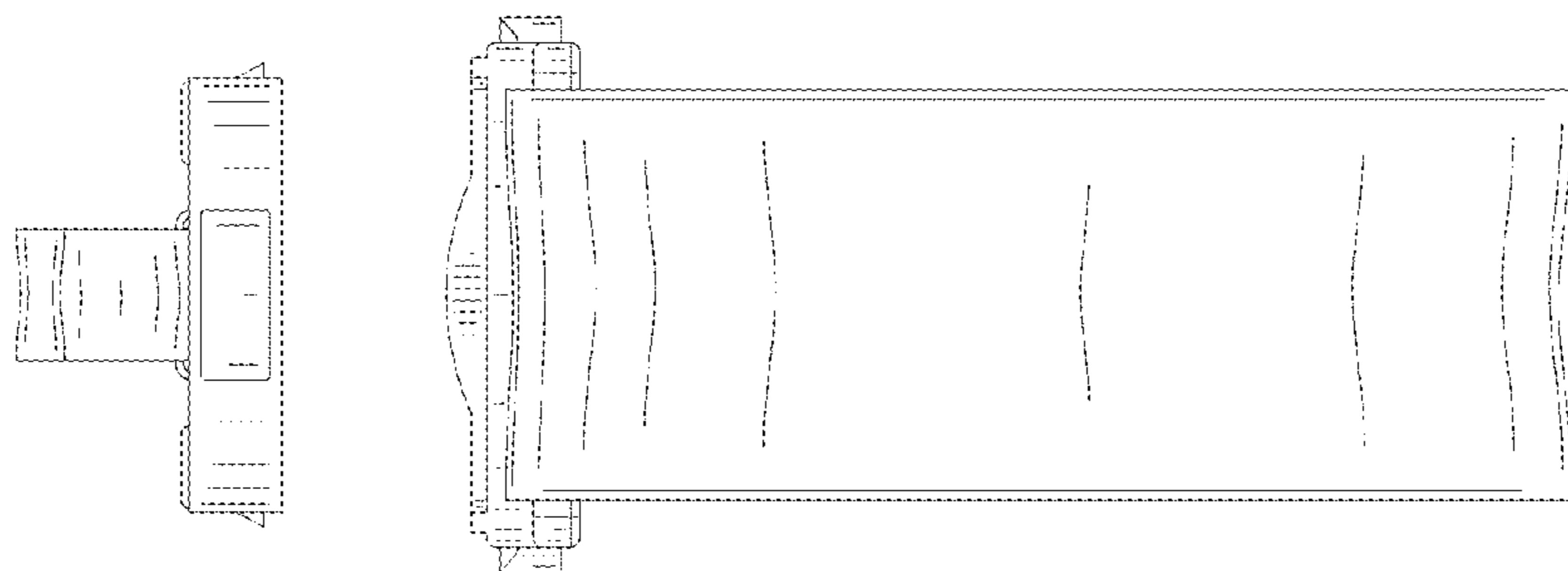


FIG. 5

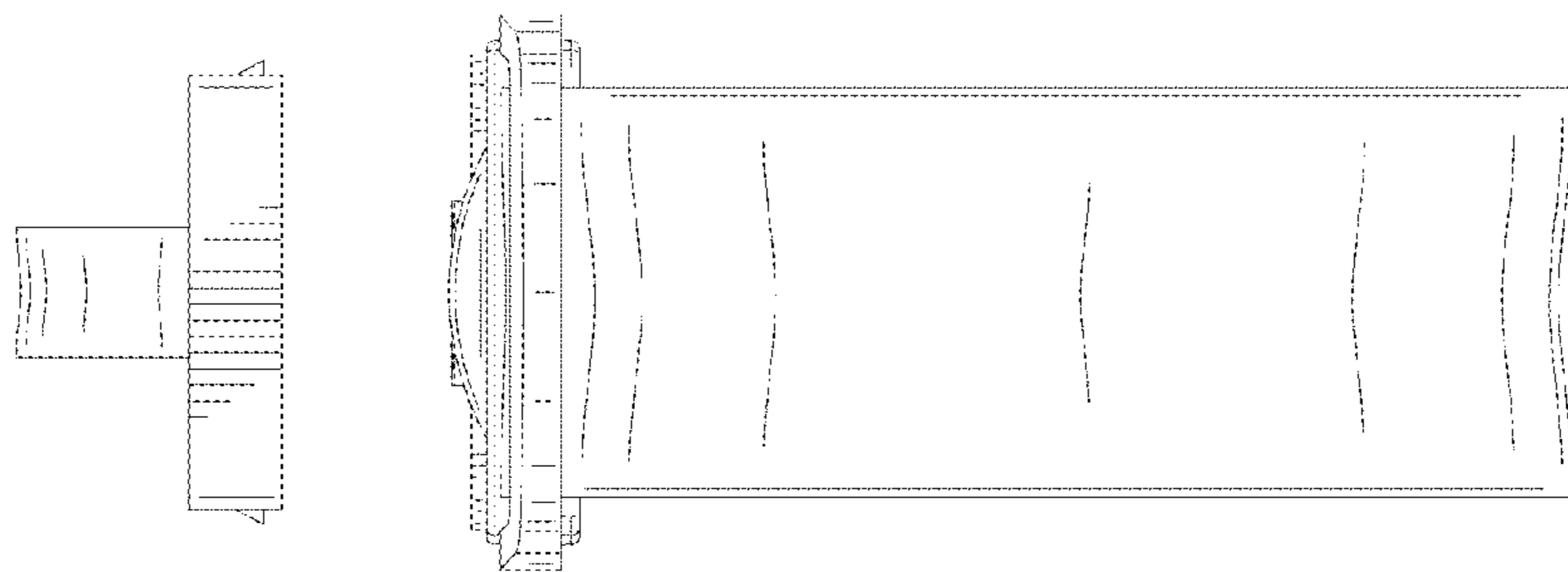


FIG. 6

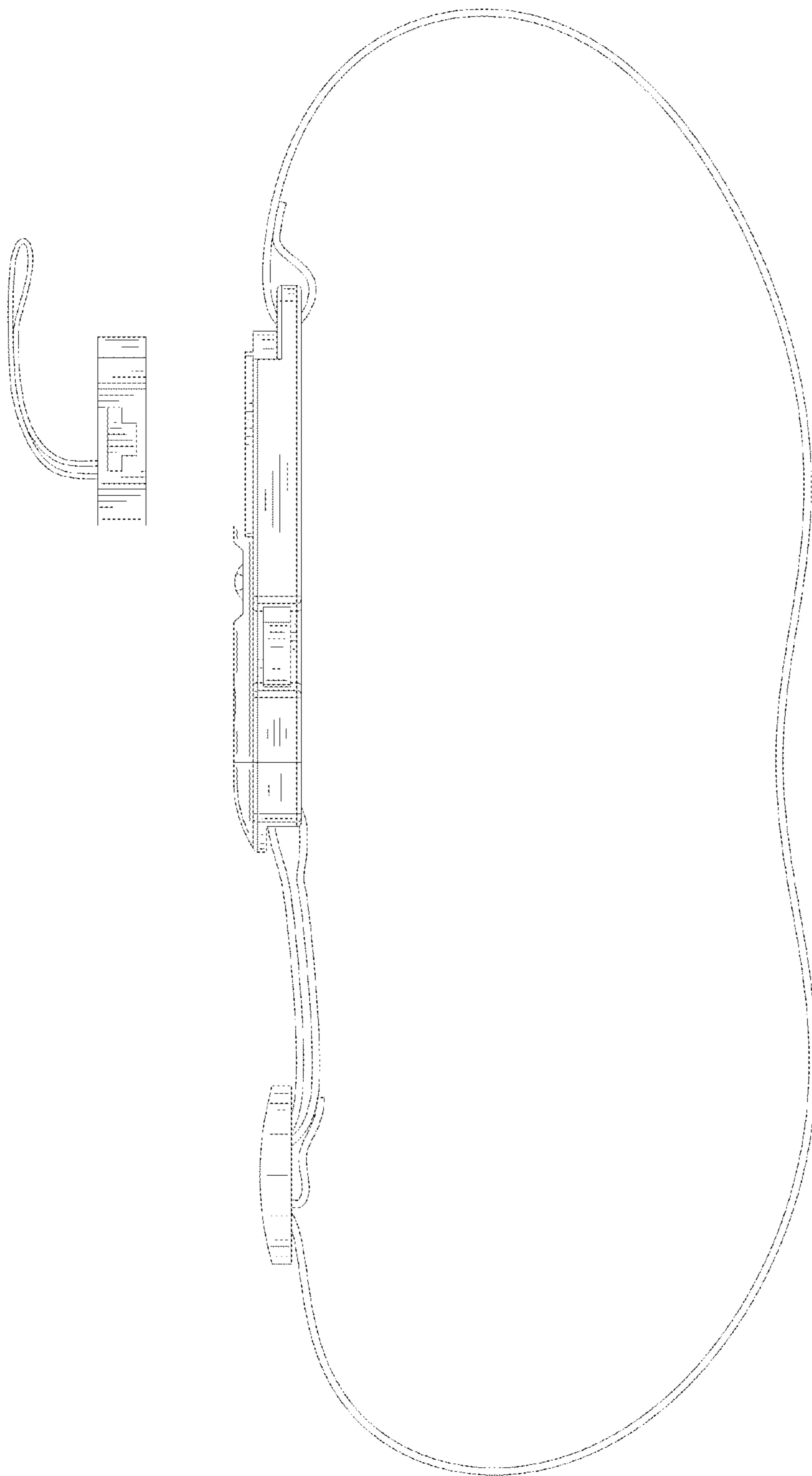


FIG. 7

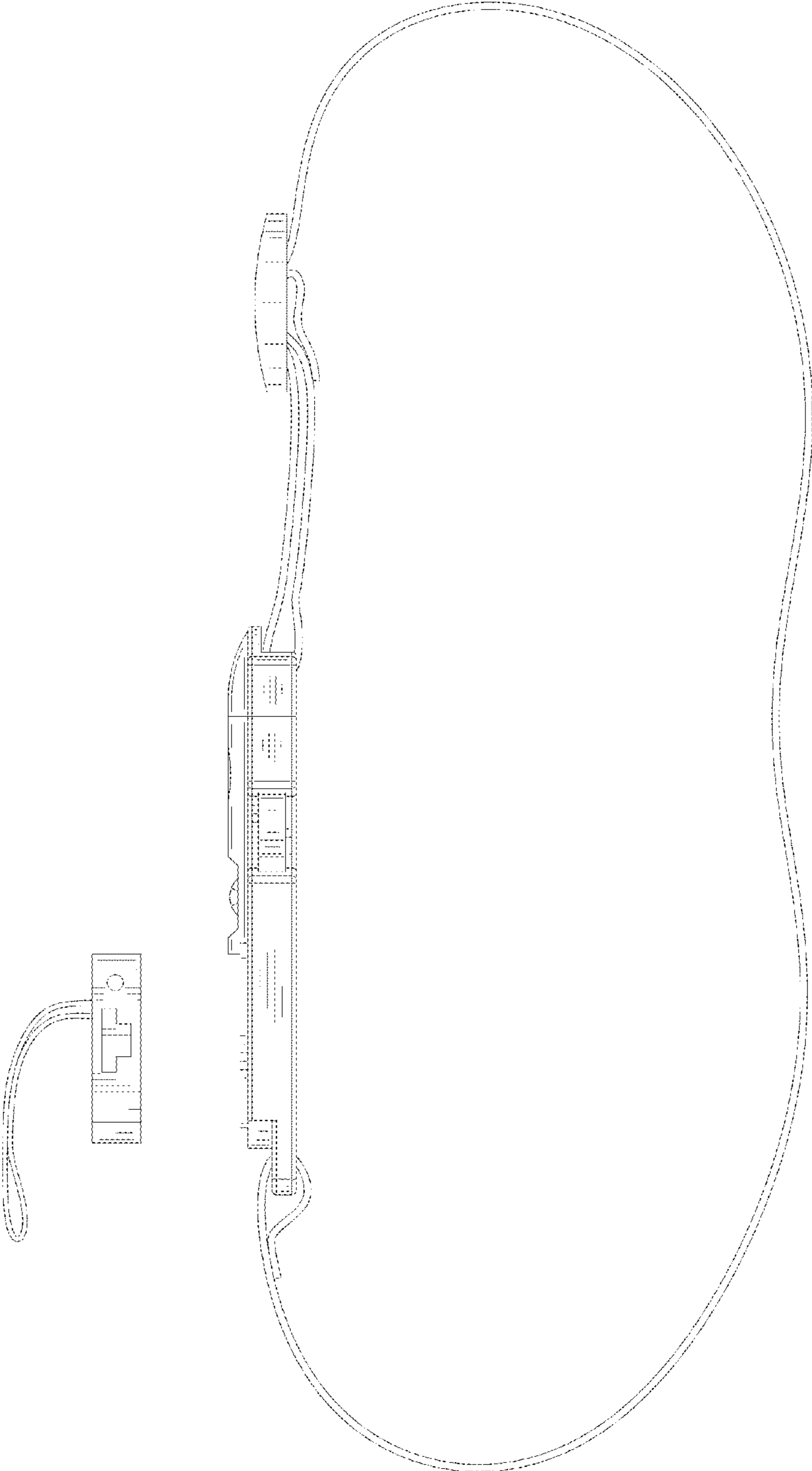


FIG. 8

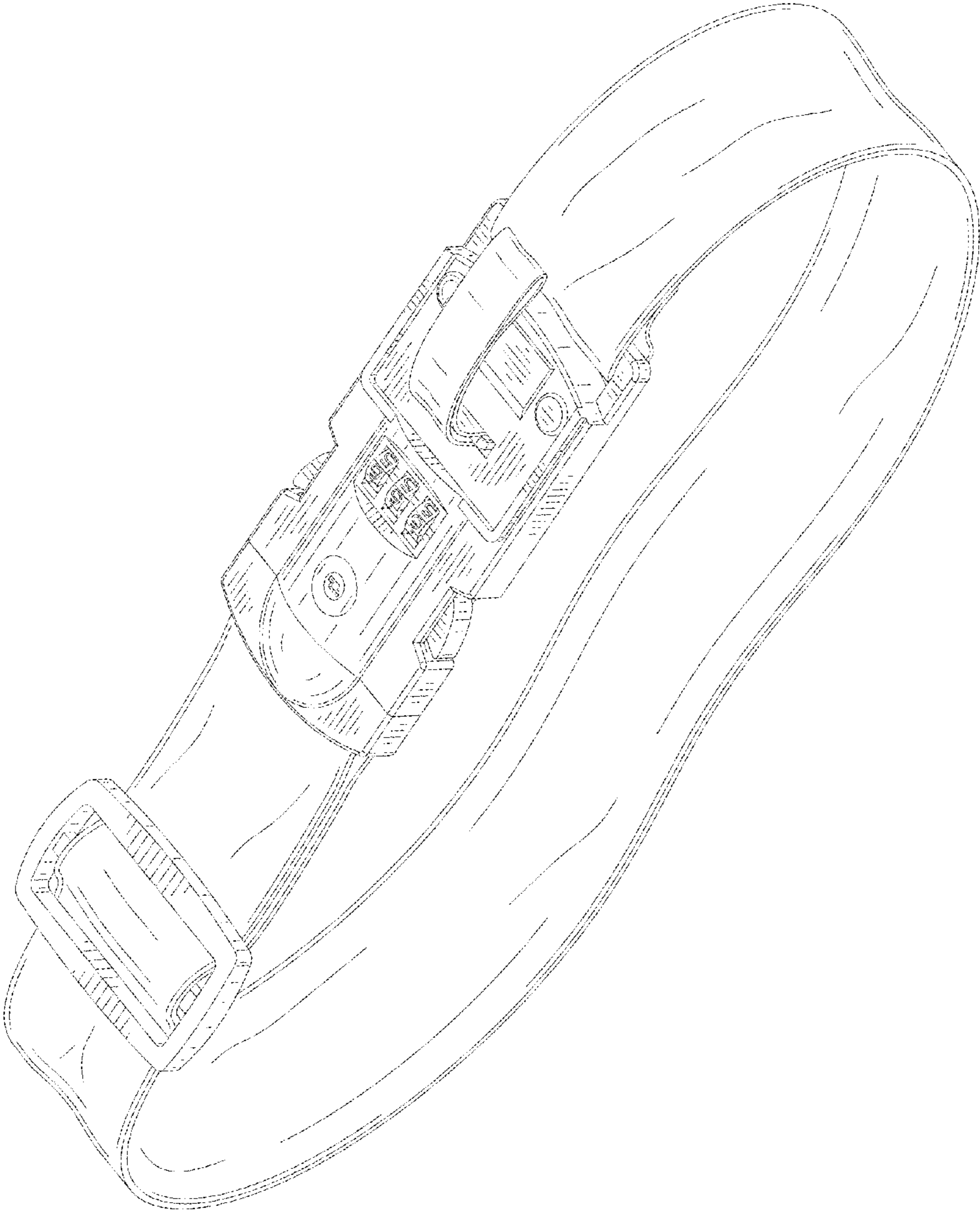


FIG. 9

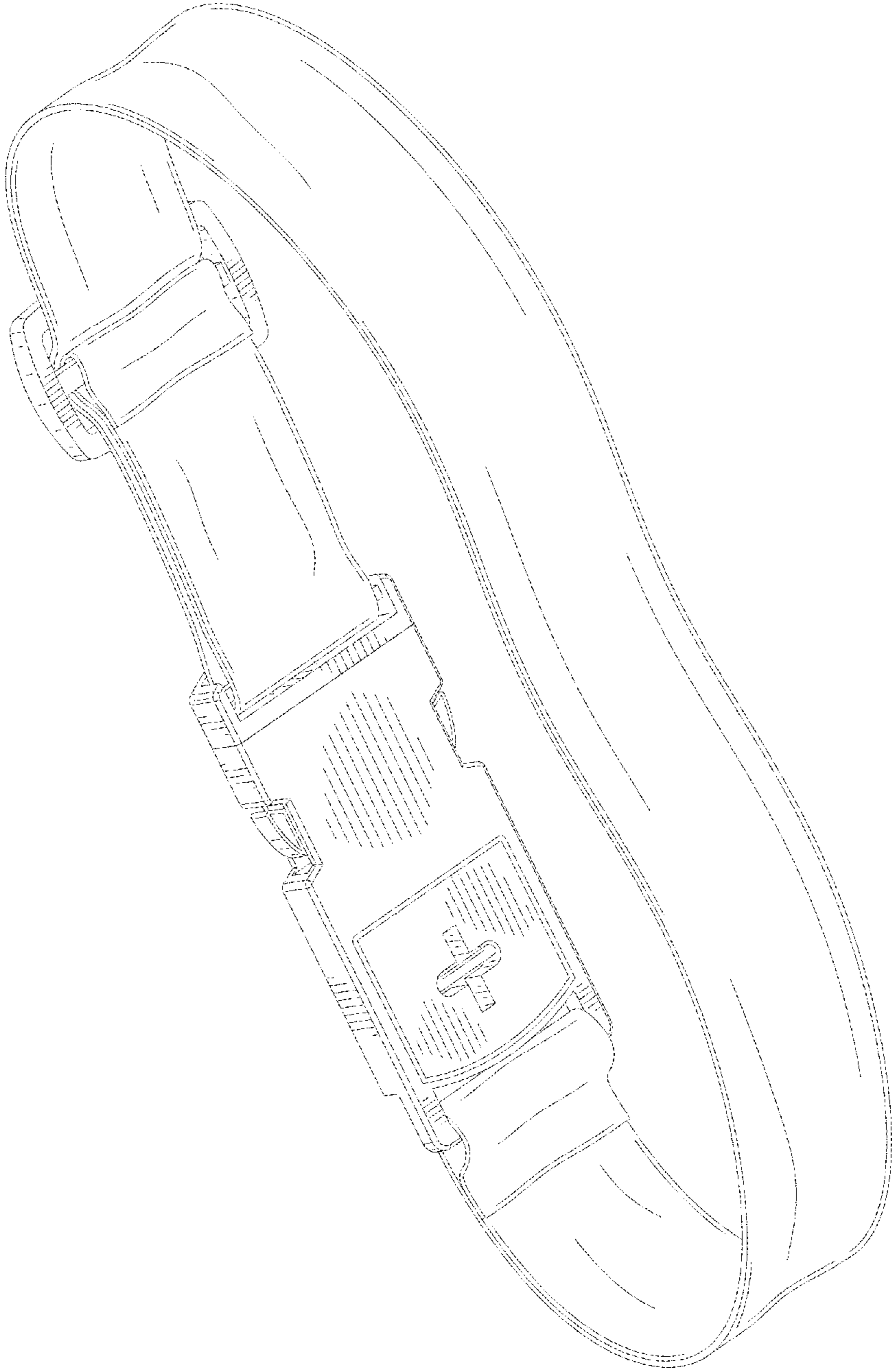


FIG. 10

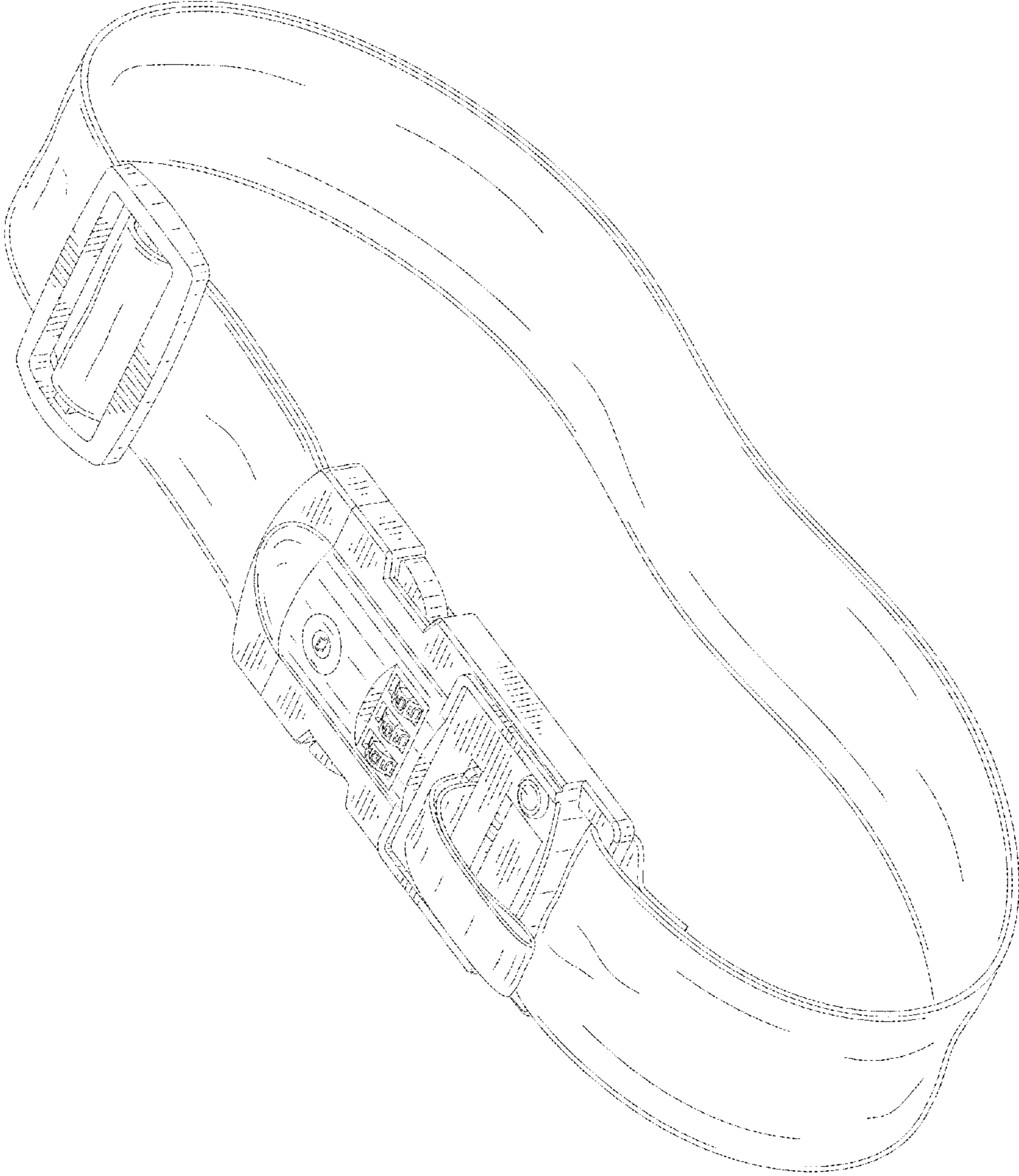


FIG. 11

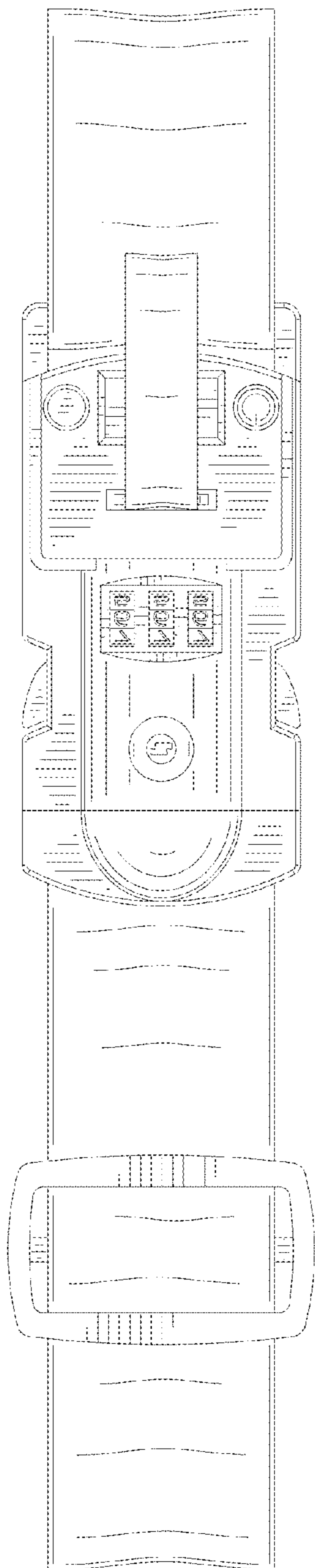


FIG. 12

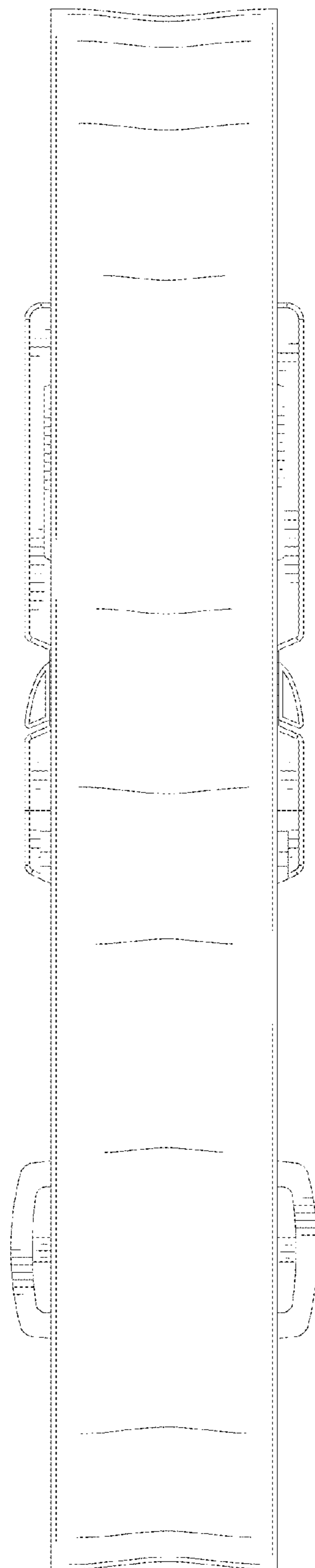


FIG. 13

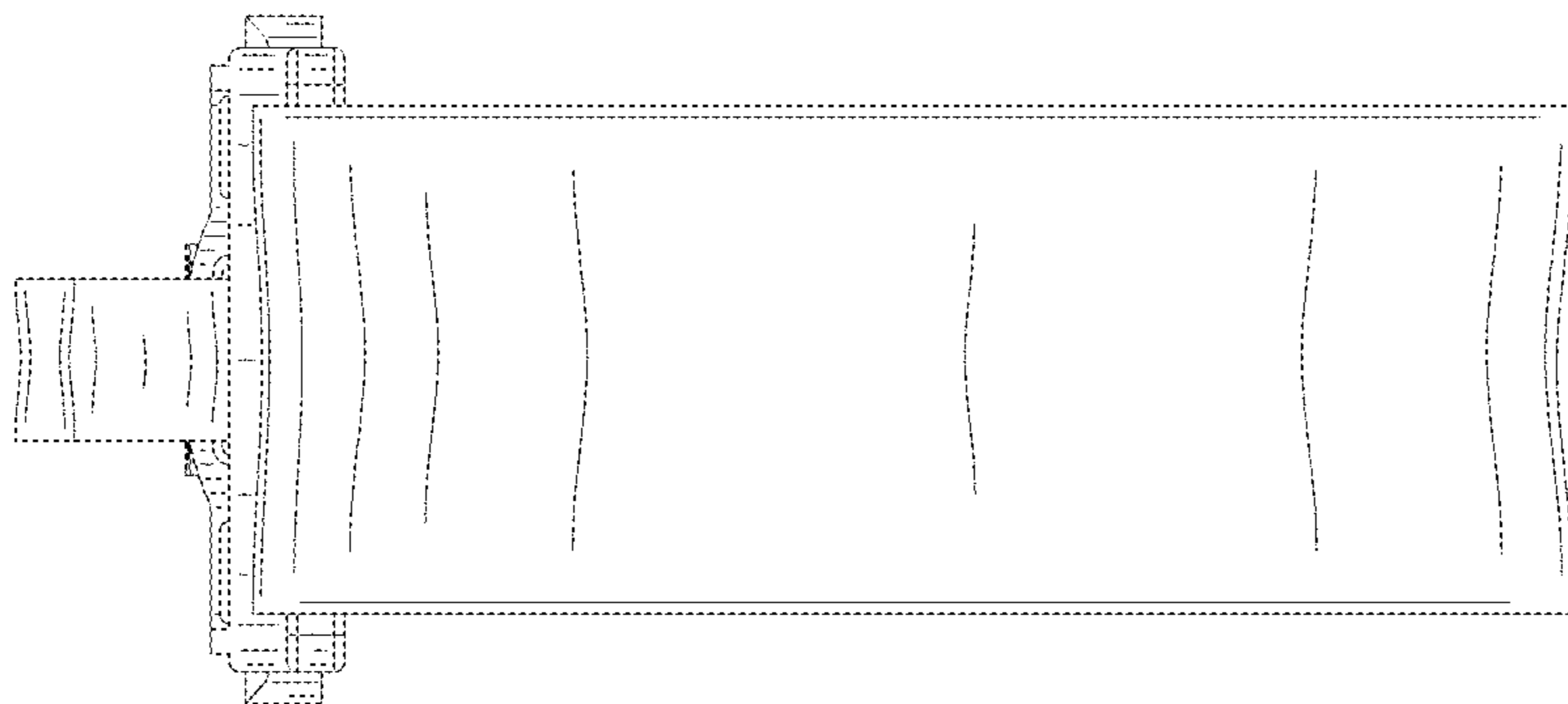


FIG. 14

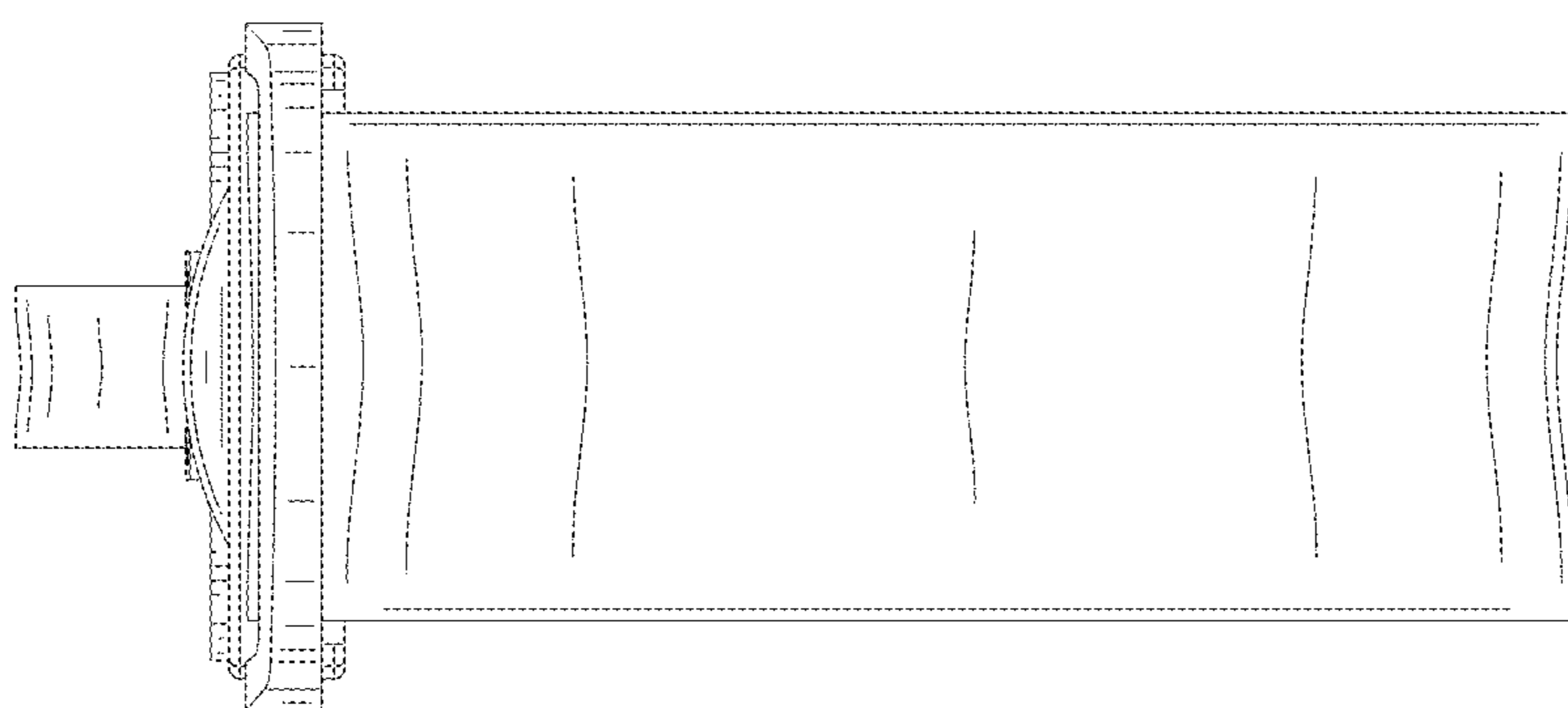


FIG. 15

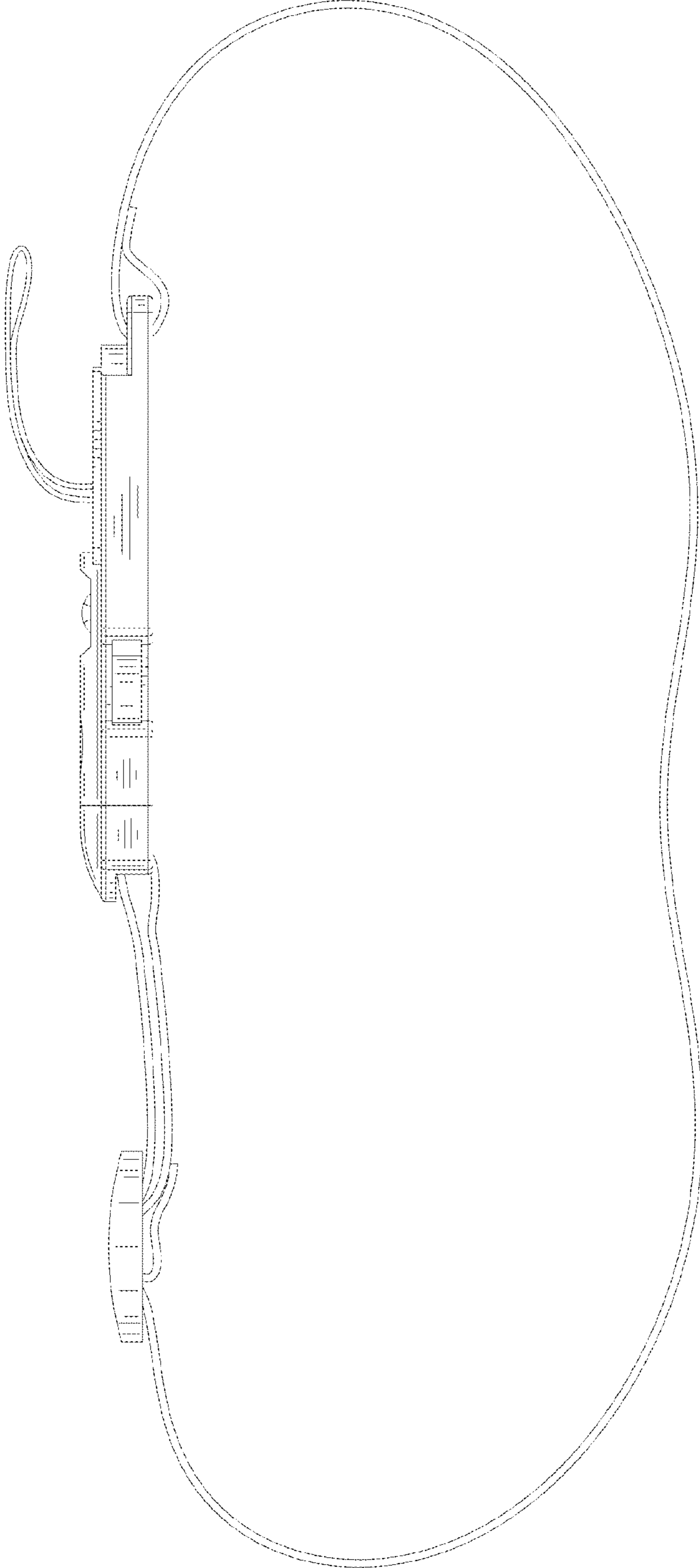


FIG. 16