

US00D732293S

(12) **United States Design Patent**
Parker et al.

(10) **Patent No.:** **US D732,293 S**
(45) **Date of Patent:** **** Jun. 23, 2015**

(54) **LUGGAGE WHEEL HOUSING WITH WHEEL**

(71) Applicant: **Samsonite IP Holdings S.a.r.l.**,
Luxembourg (LU)

(72) Inventors: **Garrett K. W. Parker**, Berkley, MA
(US); **Philip J. Karl**, Rehoboth, MA
(US)

(73) Assignee: **Samsonite IP Holdings S.a.r.l.**,
Luxembourg (LU)

(**) Term: **14 Years**

(21) Appl. No.: **29/481,519**

(22) Filed: **Feb. 6, 2014**

(51) **LOC (10) Cl.** **03-01**

(52) **U.S. Cl.**
USPC **D3/318**

(58) **Field of Classification Search**
USPC D3/318, 321, 323-328, 226, 229, 230,
D3/232-234, 240, 243, 245, 246, 270,
D3/306; D8/300, 303, 312, 342; D12/409;
190/100, 104, 109, 110, 115-117,
190/900-903; 70/2, 6; 224/175; 150/100,
150/104, 107, 108, 111, 112, 114, 117, 118,
150/119, 127, 130

See application file for complete search history.

(56) **References Cited**

U.S. PATENT DOCUMENTS

4,084,288	A *	4/1978	Black	16/21
D359,676	S	6/1995	Liang	
5,634,538	A	6/1997	Tsai	
D421,338	S	3/2000	Moon	
D433,088	S	10/2000	Galy	
D434,904	S	12/2000	Huang	
6,193,324	B1	2/2001	Chang	
D438,382	S	3/2001	Chang	
D439,410	S	3/2001	Chang	

6,256,835	B1 *	7/2001	Wang	16/35 R
D448,278	S	9/2001	Chi	
D448,826	S	10/2001	Galy	
6,322,156	B1	11/2001	Kuo	
6,354,412	B1	3/2002	Kuo	
D470,748	S *	2/2003	Tsai	D8/375
D473,379	S	4/2003	Moon	
D481,931	S *	11/2003	Chi	D8/375
D482,265	S	11/2003	Wicha	
D484,028	S	12/2003	Moon	
D487,348	S	3/2004	Fenton et al.	
D491,365	S	6/2004	Proot	
D492,894	S *	7/2004	Cheng	D8/375
D496,259	S *	9/2004	Cheng	D8/375

(Continued)

OTHER PUBLICATIONS

U.S. Appl. No. 29/427,647, filed Jul. 20, 2012, Garrett K. W. Parker.
(Continued)

Primary Examiner — Caron D Veynar
Assistant Examiner — Holly E Thurman
(74) *Attorney, Agent, or Firm* — Dorsey & Whitney LLP

(57) **CLAIM**

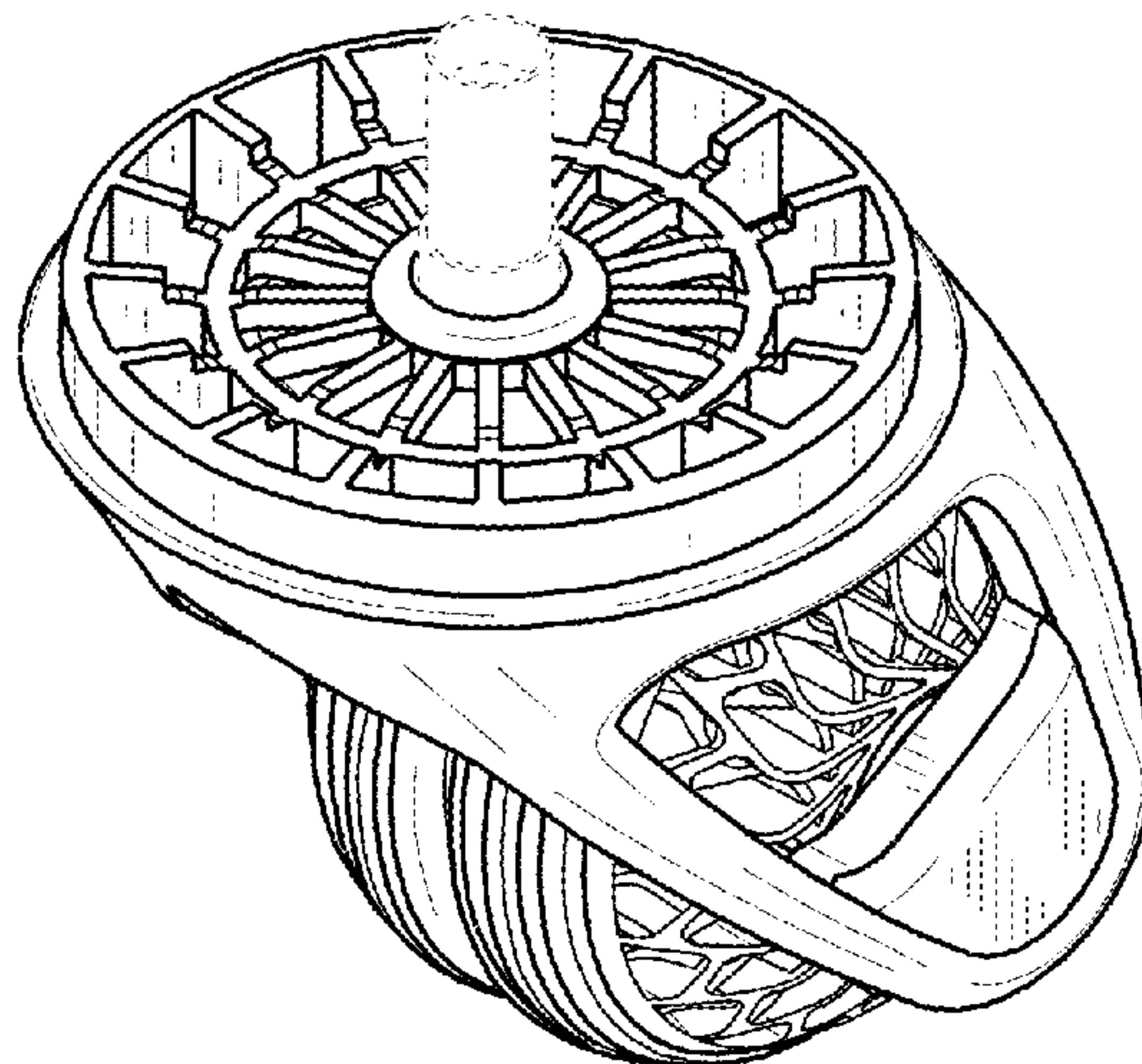
The ornamental design for a luggage wheel housing with wheel, as shown and described.

DESCRIPTION

FIG. 1 is a front perspective view of a luggage wheel housing with wheel showing our new design; FIG. 2 is a front elevation view thereof; FIG. 3 is a rear elevation view thereof; FIG. 4 is a left elevation view thereof; FIG. 5 is a right elevation view thereof; FIG. 6 is a top view thereof; and, FIG. 7 is a bottom view thereof.

The dashed lines in FIGS. 1-7 show the environment and boundaries of the luggage wheel housing with a wheel and form no part of the claimed invention.

1 Claim, 4 Drawing Sheets



(56)

References Cited

U.S. PATENT DOCUMENTS

D505,316 S 5/2005 Topel
 D513,560 S 1/2006 Neumann
 D525,033 S 7/2006 Neumann
 D539,543 S 4/2007 Wu
 D541,048 S 4/2007 Moon
 D550,950 S * 9/2007 Vanderminden D3/10
 D557,900 S 12/2007 Sijmons
 D575,512 S 8/2008 Moon
 D575,957 S 9/2008 Scicluna et al.
 D576,407 S 9/2008 Moon
 7,437,801 B2 * 10/2008 Dahl 16/38
 D581,161 S 11/2008 Tong
 D582,160 S 12/2008 Sijmons

D582,678 S 12/2008 Rekuc
 7,506,404 B2 * 3/2009 Block et al. 16/18 R
 D592,490 S * 5/2009 Frame D8/375
 D603,163 S 11/2009 Van Himbeeck
 7,832,533 B2 11/2010 Selvi
 D633,299 S 3/2011 Moon
 8,020,679 B2 9/2011 Wu
 D659,395 S 5/2012 Sijmons
 D703,442 S * 4/2014 Parker D3/318
 2010/0230223 A1 * 9/2010 Wu 190/18 A
 2014/0041978 A1 * 2/2014 Chang 190/18 A
 2014/0110204 A1 * 4/2014 Wu 190/18 A

OTHER PUBLICATIONS

U.S. Appl. No. 29/440,204, filed Dec. 19, 2012, Garrett K. W. Parker.

* cited by examiner

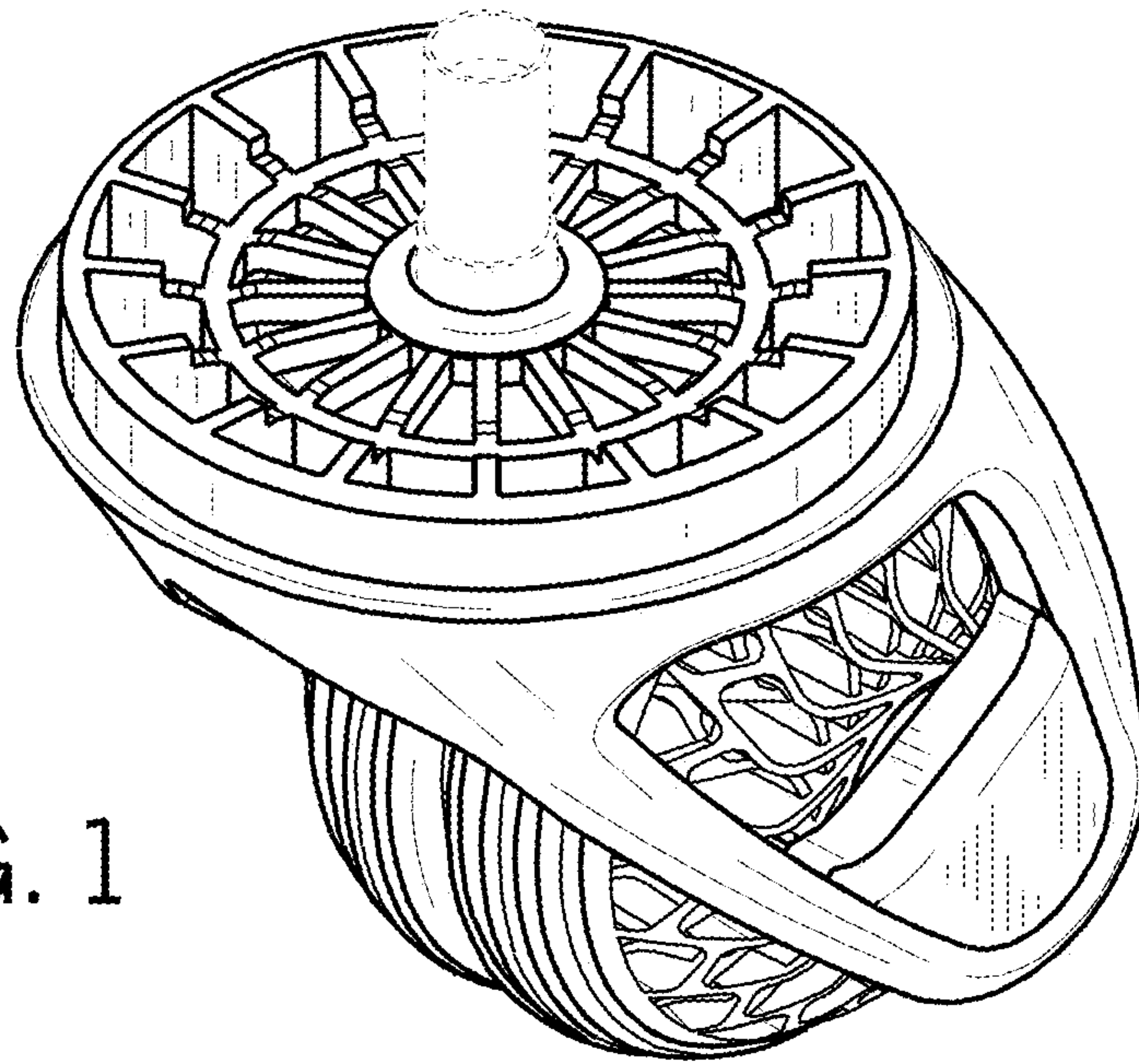


FIG. 1

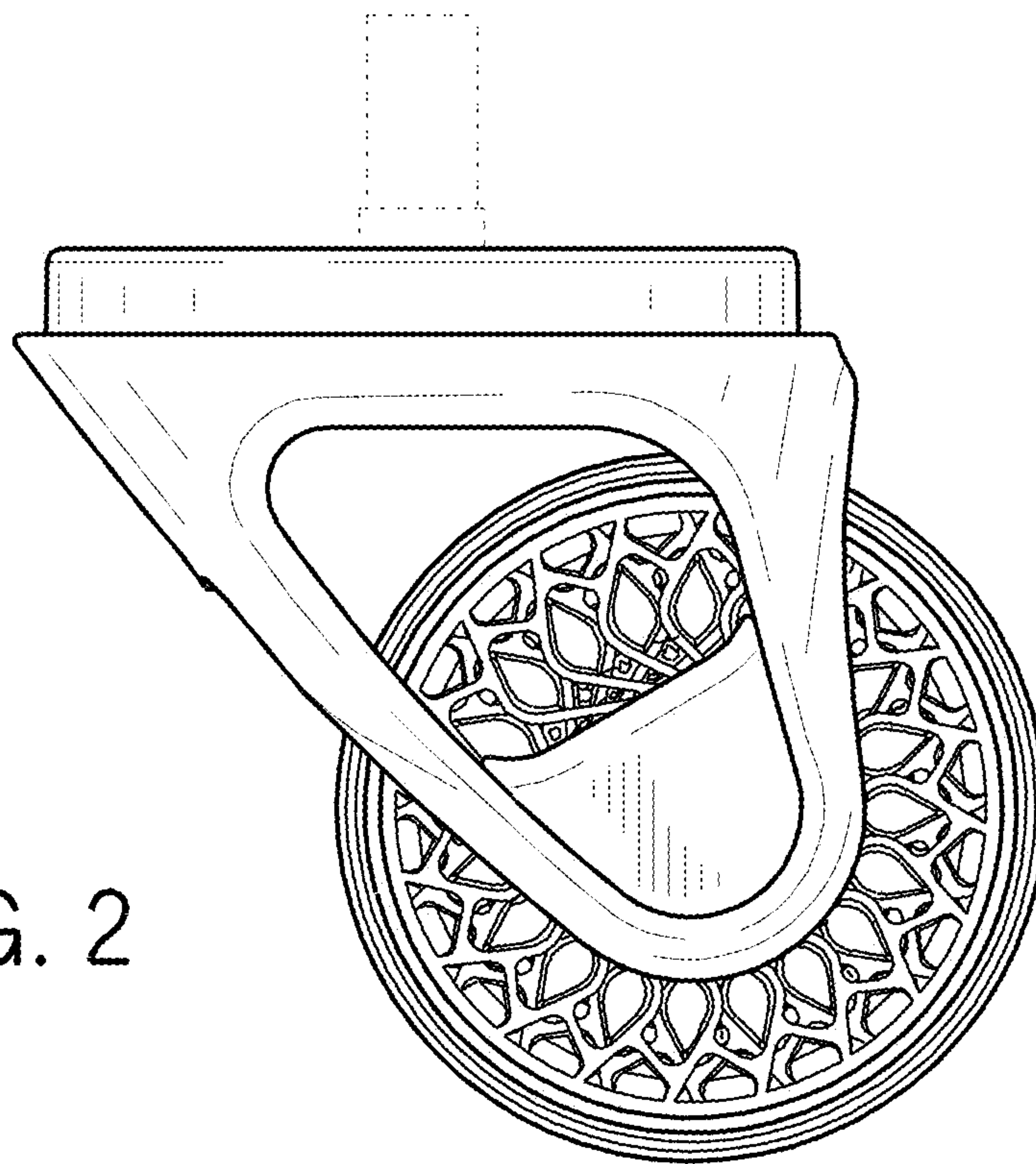


FIG. 2

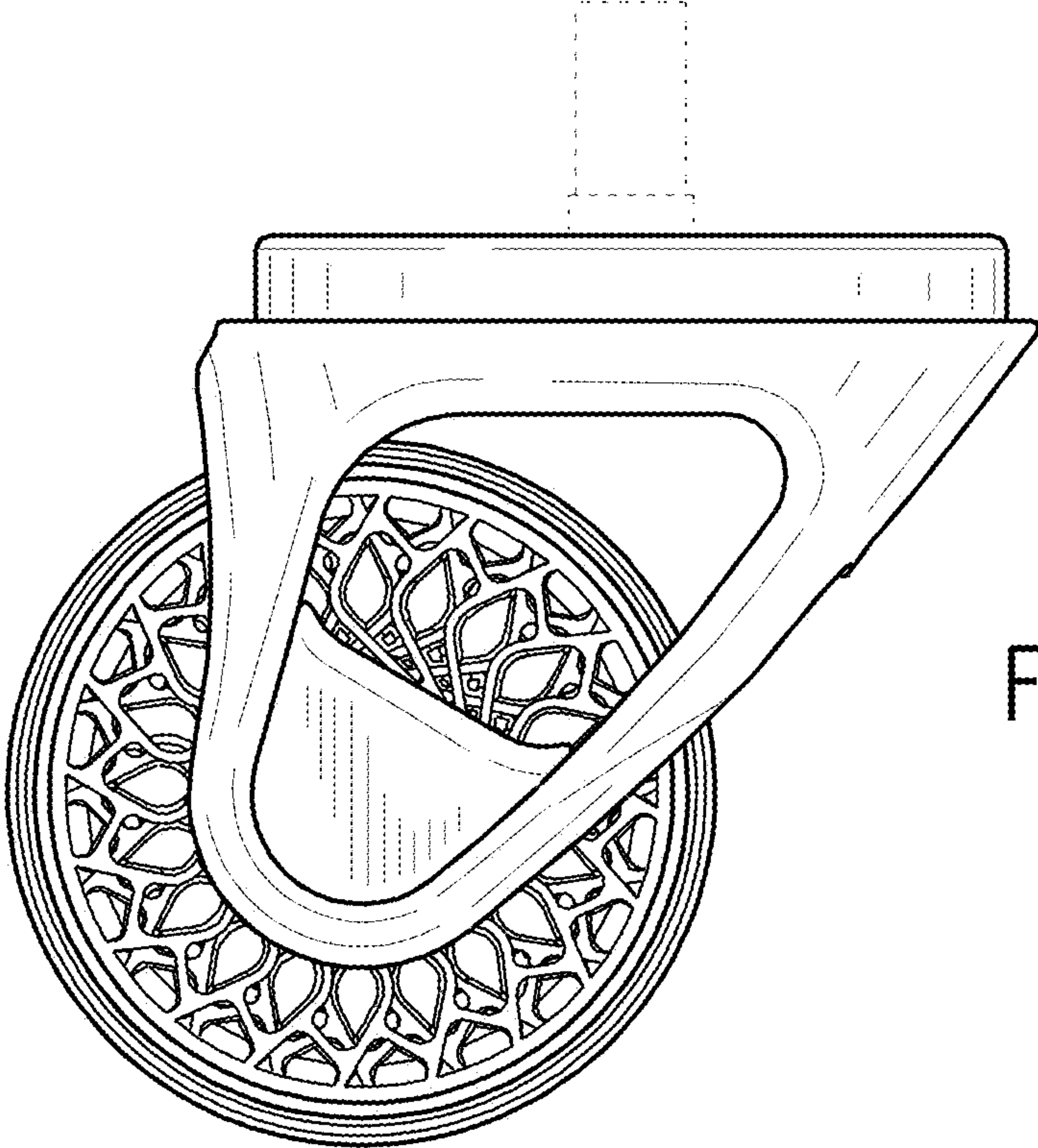


FIG. 3

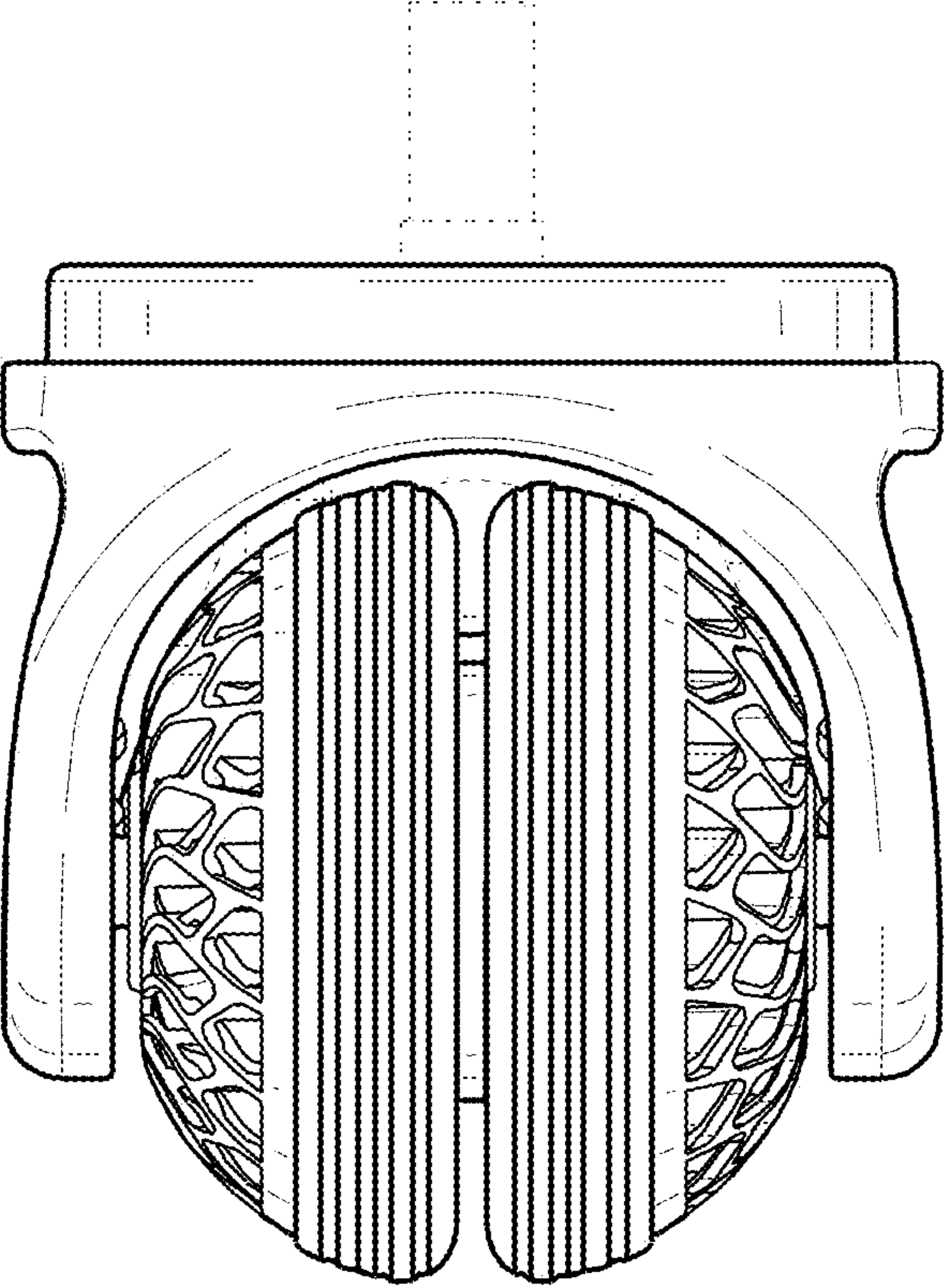


FIG. 4

FIG. 5

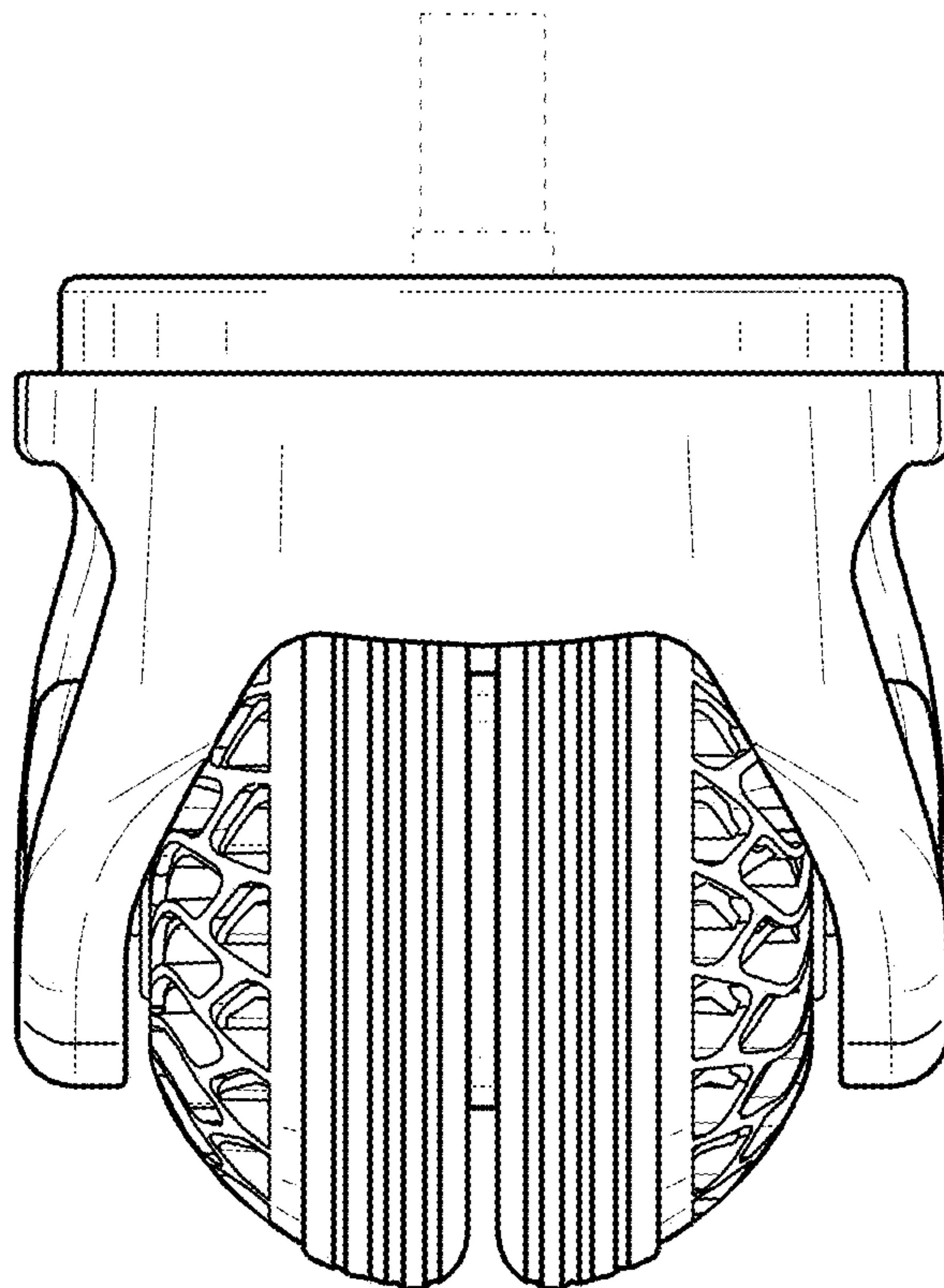


FIG. 6

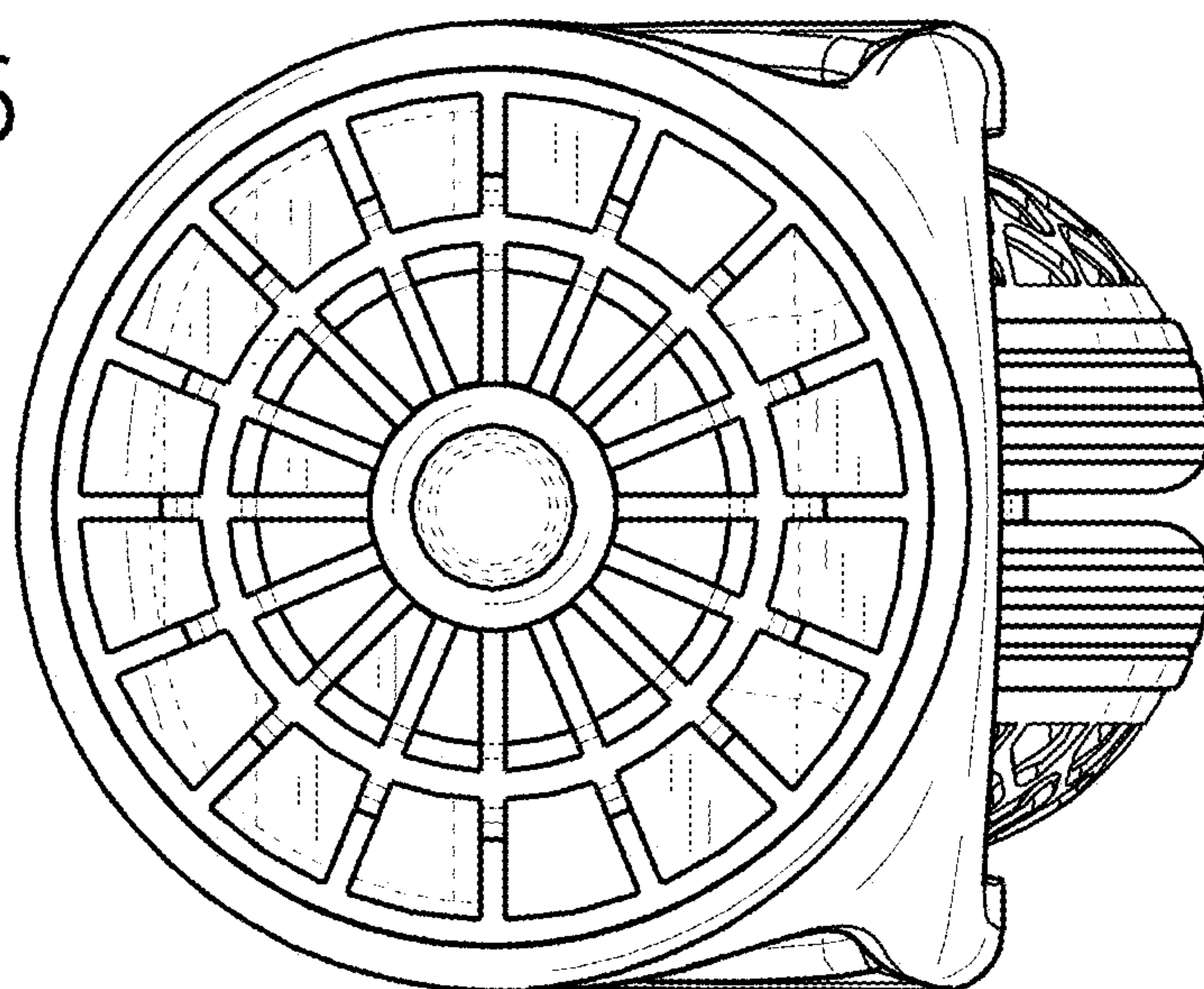


FIG. 7

