



US00D732292S

(12) **United States Design Patent**  
**Rideout**

(10) **Patent No.:** **US D732,292 S**  
(45) **Date of Patent:** **\*\* Jun. 23, 2015**

(54) **STACKABLE CONTAINER**

(71) Applicant: **Caleb D. Rideout**, Sahuarita, AZ (US)

(72) Inventor: **Caleb D. Rideout**, Sahuarita, AZ (US)

(\*\*) Term: **14 Years**

(21) Appl. No.: **29/467,435**

(22) Filed: **Sep. 19, 2013**

(51) **LOC (10) Cl.** ..... **03-01**

(52) **U.S. Cl.**  
USPC ..... **D3/302**

(58) **Field of Classification Search**  
USPC ..... D3/273, 276, 280, 282, 283, 284, 286,  
D3/288, 292, 294, 295, 901, 903, 905, 302,  
D3/306, 304, 272, 232, 247; 206/503, 207,  
206/419, 505, 507, 511, 518, 559, 509, 506,  
206/373, 501, 823; 220/23.86, 373, 553,  
220/759, 506, 802, 822, 4.25; 312/283, 237  
See application file for complete search history.

(56) **References Cited**

**U.S. PATENT DOCUMENTS**

3,811,559	A	5/1974	Carter	
D254,062	S *	1/1980	Anton	D12/410
4,700,842	A	10/1987	Grusin	
D332,745	S *	1/1993	Koloski	D3/302
5,328,052	A	7/1994	Kizilos	
5,769,229	A	6/1998	Address et al.	
D430,728	S *	9/2000	Horvath et al.	D3/294
D441,530	S *	5/2001	Elmore	D3/273
D468,102	S *	1/2003	Taylor et al.	D3/304
6,659,305	B2	12/2003	Thompson	
6,874,650	B2	4/2005	Welsh et al.	
6,886,694	B2	5/2005	McNeeley et al.	
D517,319	S *	3/2006	Wisnoski et al.	D3/304
D583,562	S *	12/2008	Ghiorghie	D3/304
D621,619	S *	8/2010	Ripoll	D3/304
7,789,238	B2 *	9/2010	Claypool et al.	206/508
7,900,797	B1	3/2011	Witcraft	
D646,057	S *	10/2011	Loaiza	D3/273
8,136,697	B2	3/2012	Hackney	
8,381,909	B2	2/2013	Hernandez et al.	

D677,054	S *	3/2013	Chen	D3/302
D683,962	S *	6/2013	Brunner	D3/304
2005/0151453	A1	7/2005	North	
2009/0000977	A1	1/2009	Coonce	
2009/0008284	A1	1/2009	Lown et al.	
2009/0178989	A1 *	7/2009	Accuardi	211/126.7
2013/0047558	A1	2/2013	Hogan	

**FOREIGN PATENT DOCUMENTS**

EP	0483018	4/1992
WO	2004049880	6/2004

\* cited by examiner

*Primary Examiner* — Jennifer Rivard

*Assistant Examiner* — April Rivas

(74) *Attorney, Agent, or Firm* — Shaddock Law Group, PC

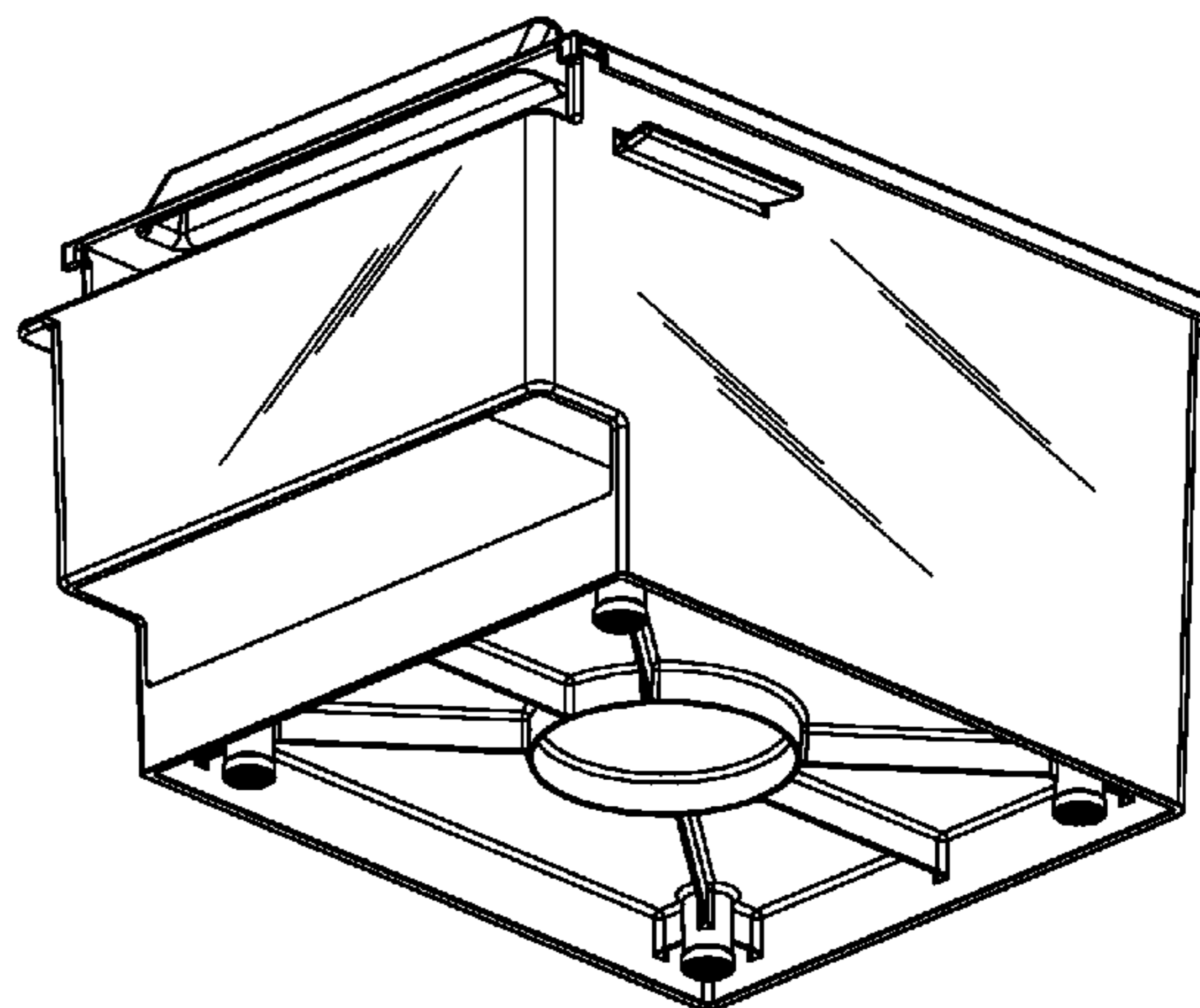
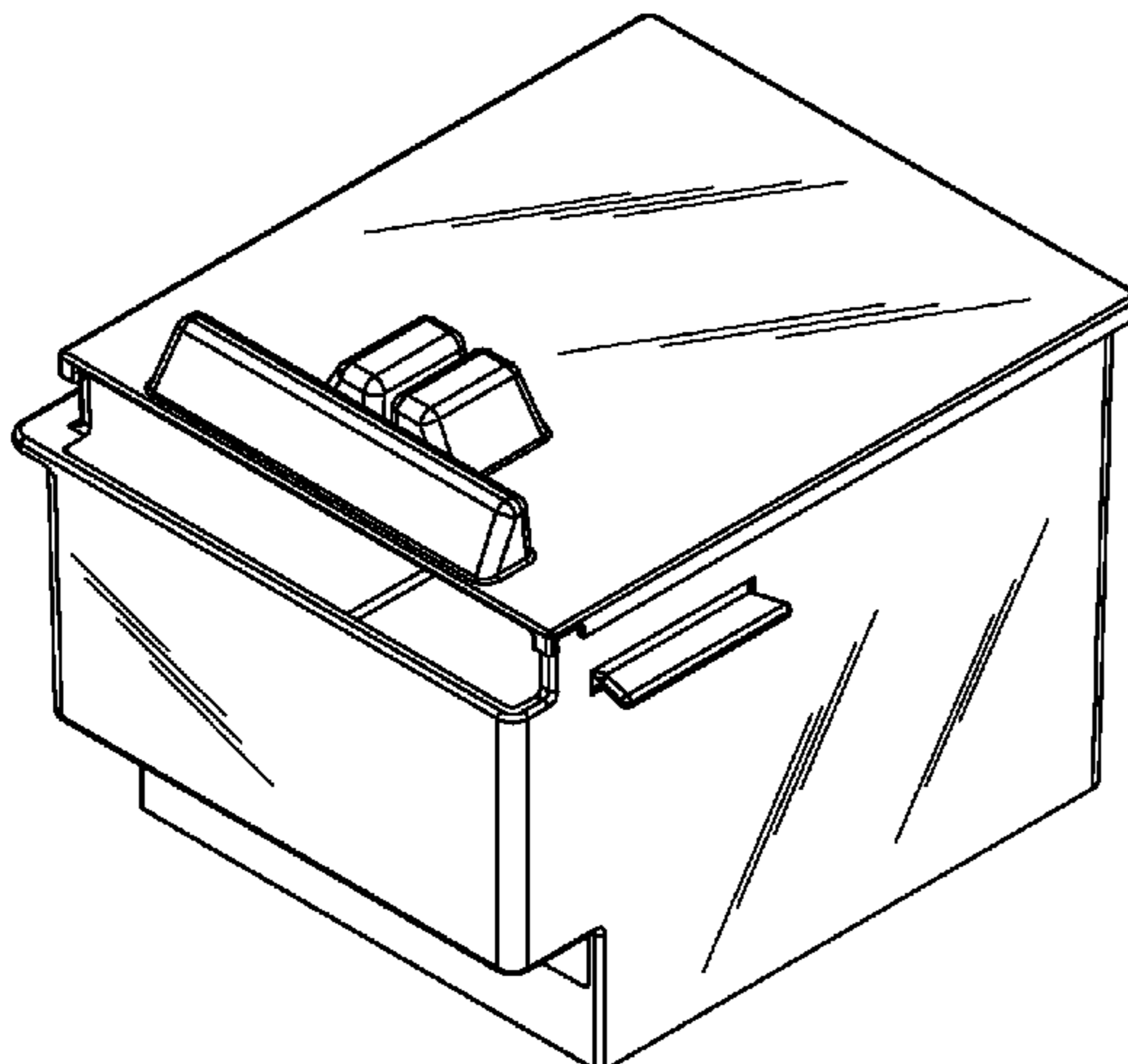
(57) **CLAIM**

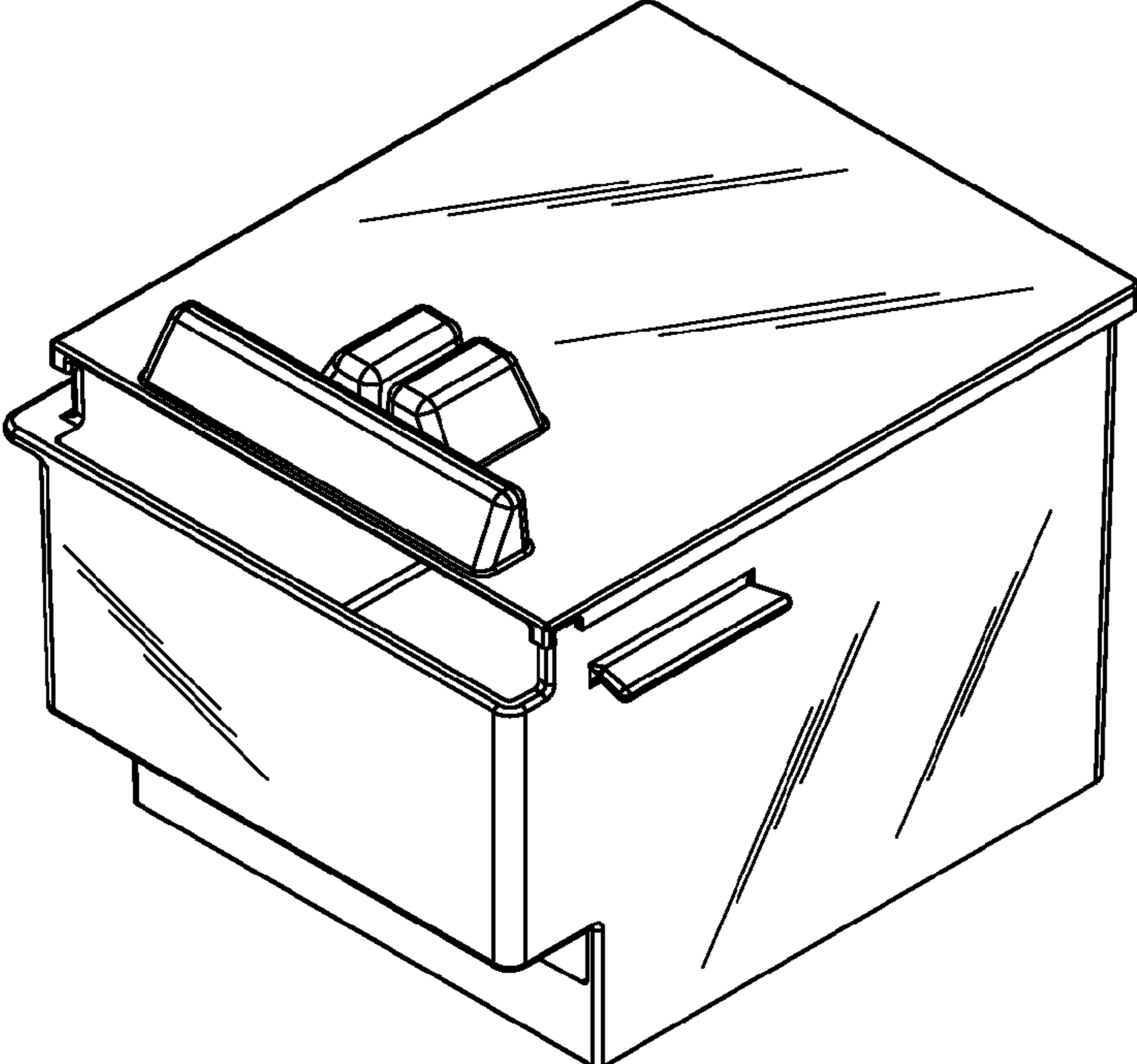
The ornamental design for a stackable container, substantially as shown and described.

**DESCRIPTION**

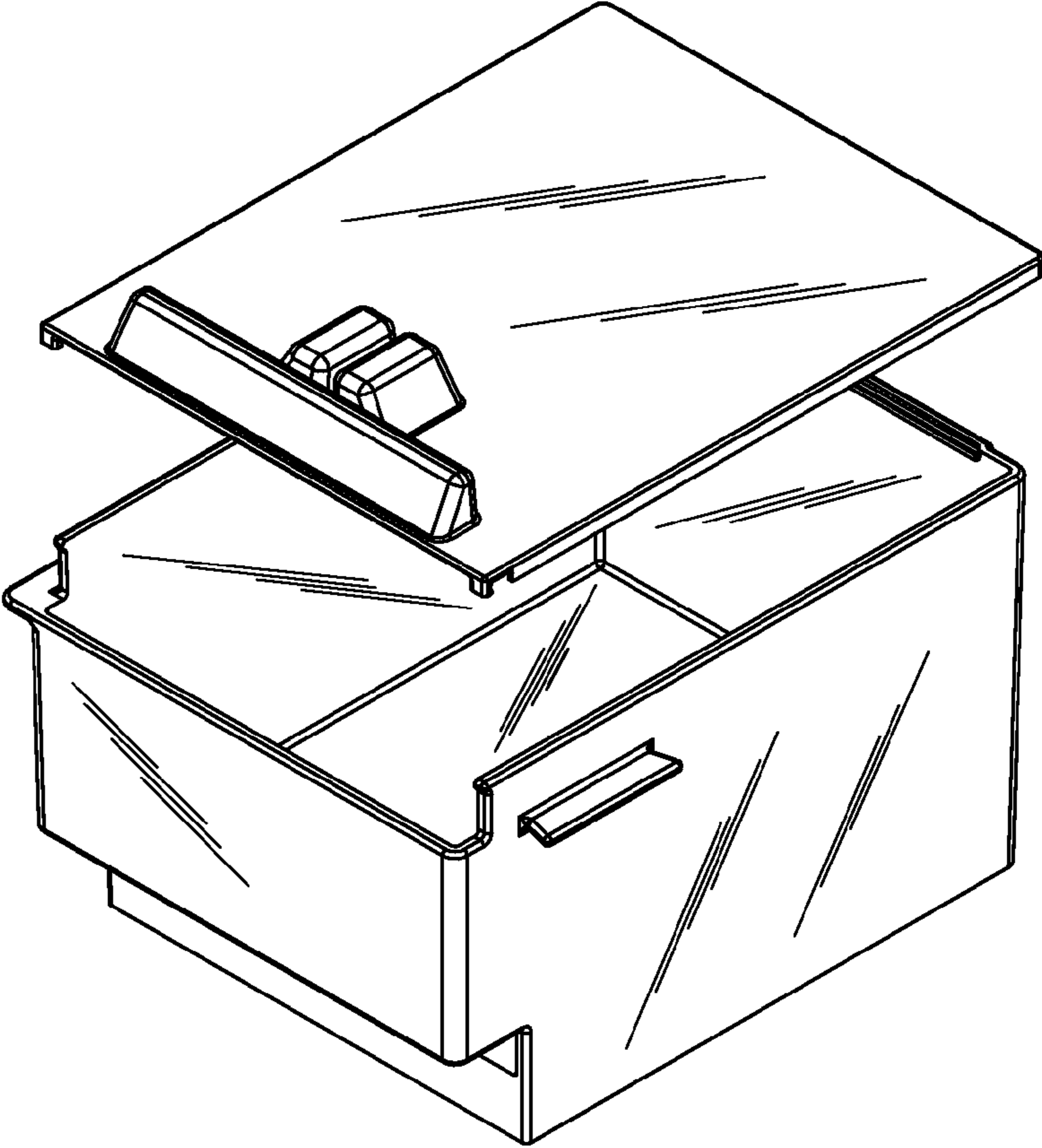
FIG. 1 is an upper front perspective view of the stackable container, showing my new design;  
 FIG. 2 is an upper front perspective view thereof, wherein the lid of the stackable container is partially removed;  
 FIG. 3 is an upper front perspective view thereof, wherein the lid of the stackable container is completely removed;  
 FIG. 4 is an upper rear perspective view thereof, wherein the lid of the stackable container is completely removed;  
 FIG. 5 is a top plan view of FIG. 1;  
 FIG. 6 is a top plan view thereof, wherein the lid of the stackable container is completely removed;  
 FIG. 7 is a right side view of FIG. 1;  
 FIG. 8 is a left side view thereof;  
 FIG. 9 is a front view thereof;  
 FIG. 10 is a rear view thereof;  
 FIG. 11 is a lower front perspective view thereof; and,  
 FIG. 12 is a bottom perspective view thereof.  
 The lid of the stackable container has been removed for convenience of illustration in FIGS. 3, 4, and 6.

**1 Claim, 6 Drawing Sheets**

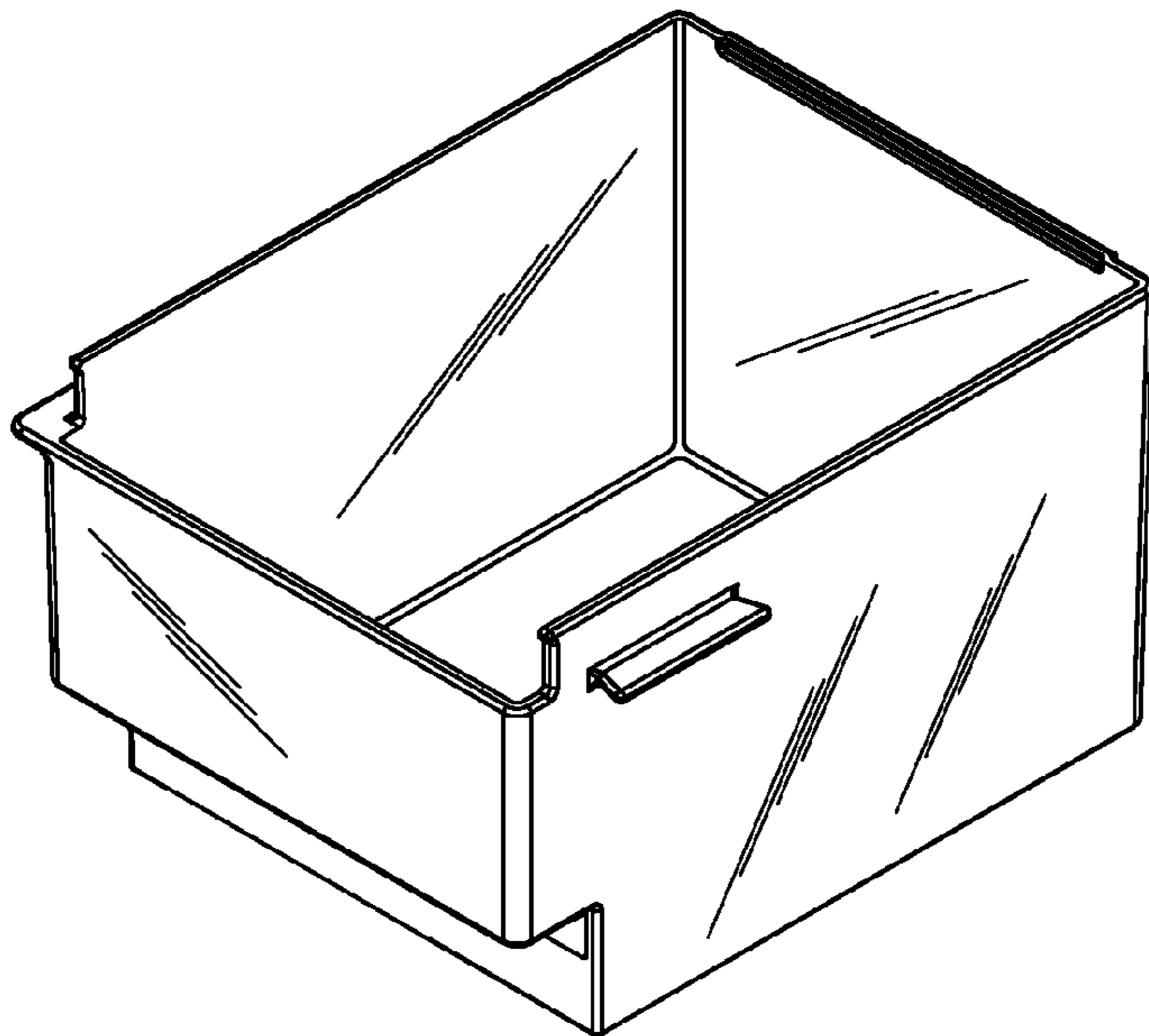




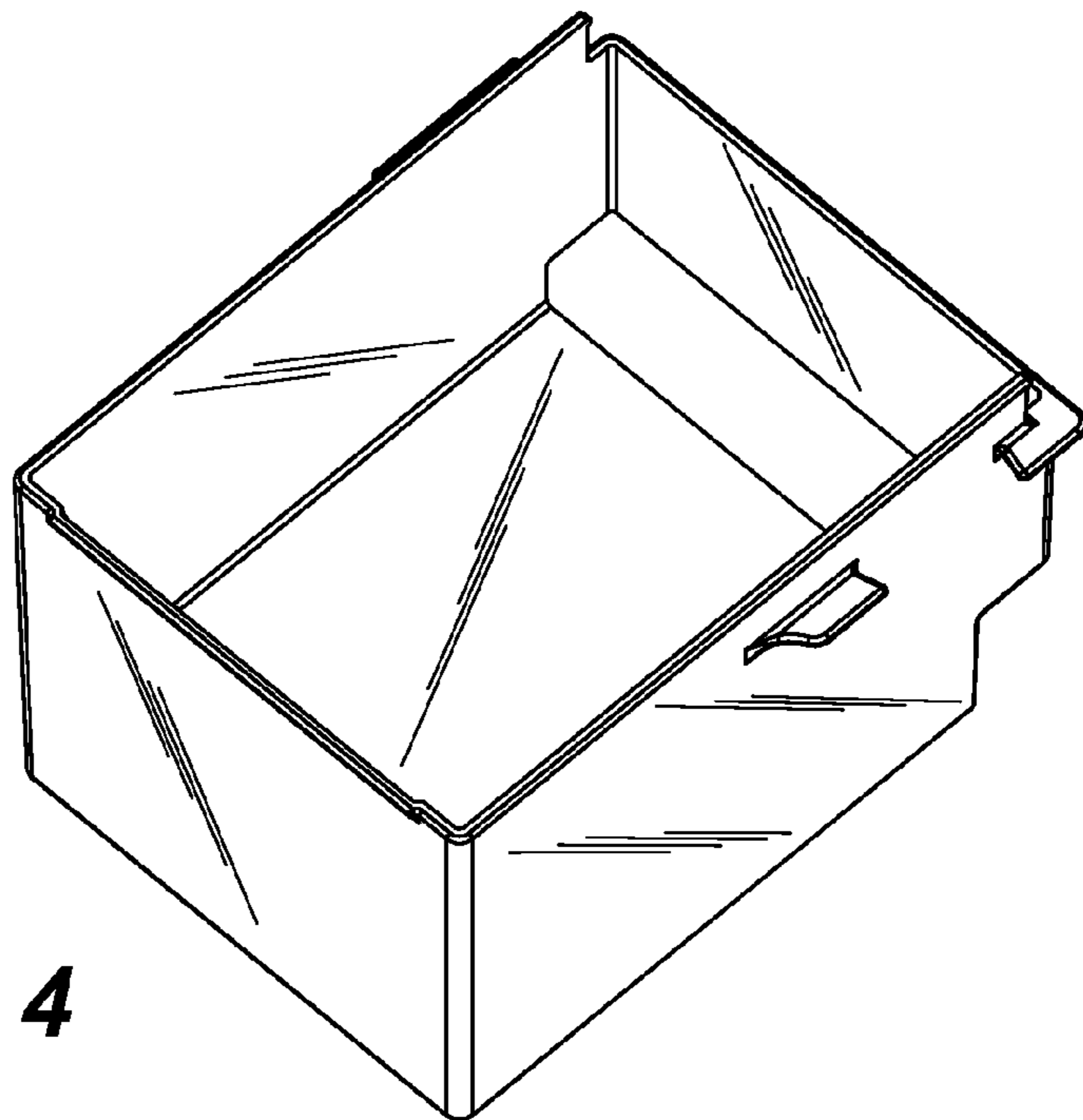
**FIG. 1**



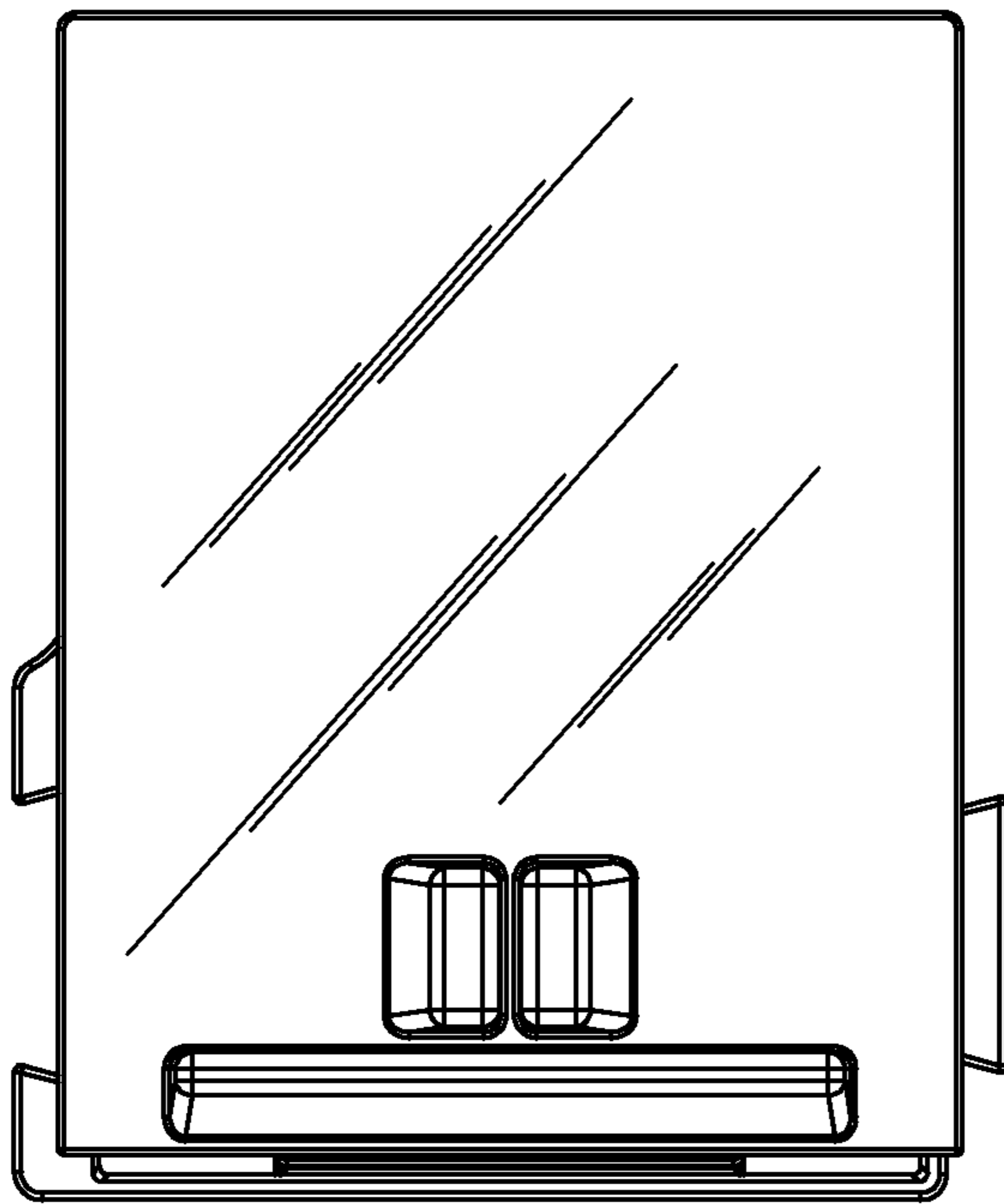
**FIG. 2**



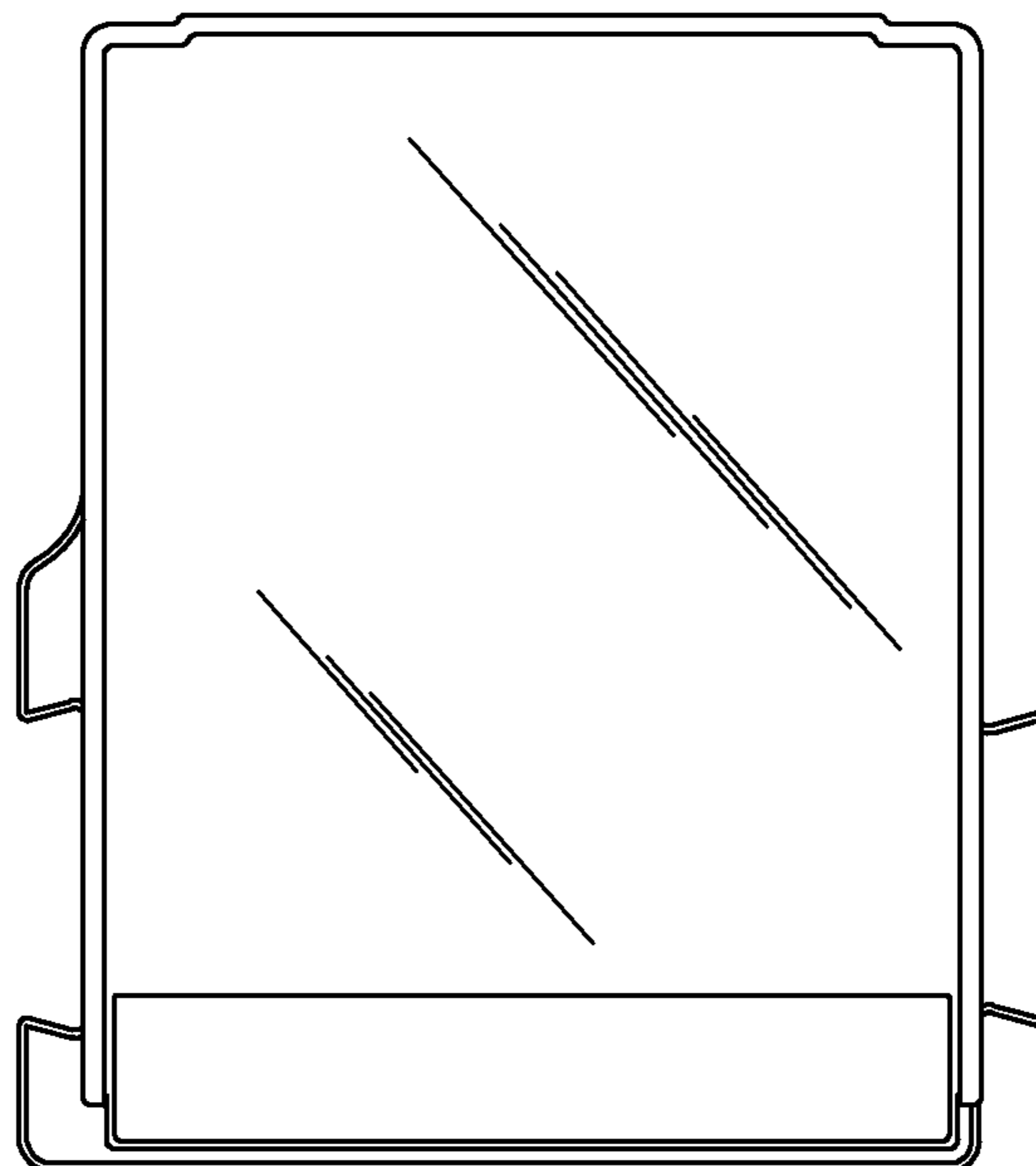
**FIG. 3**



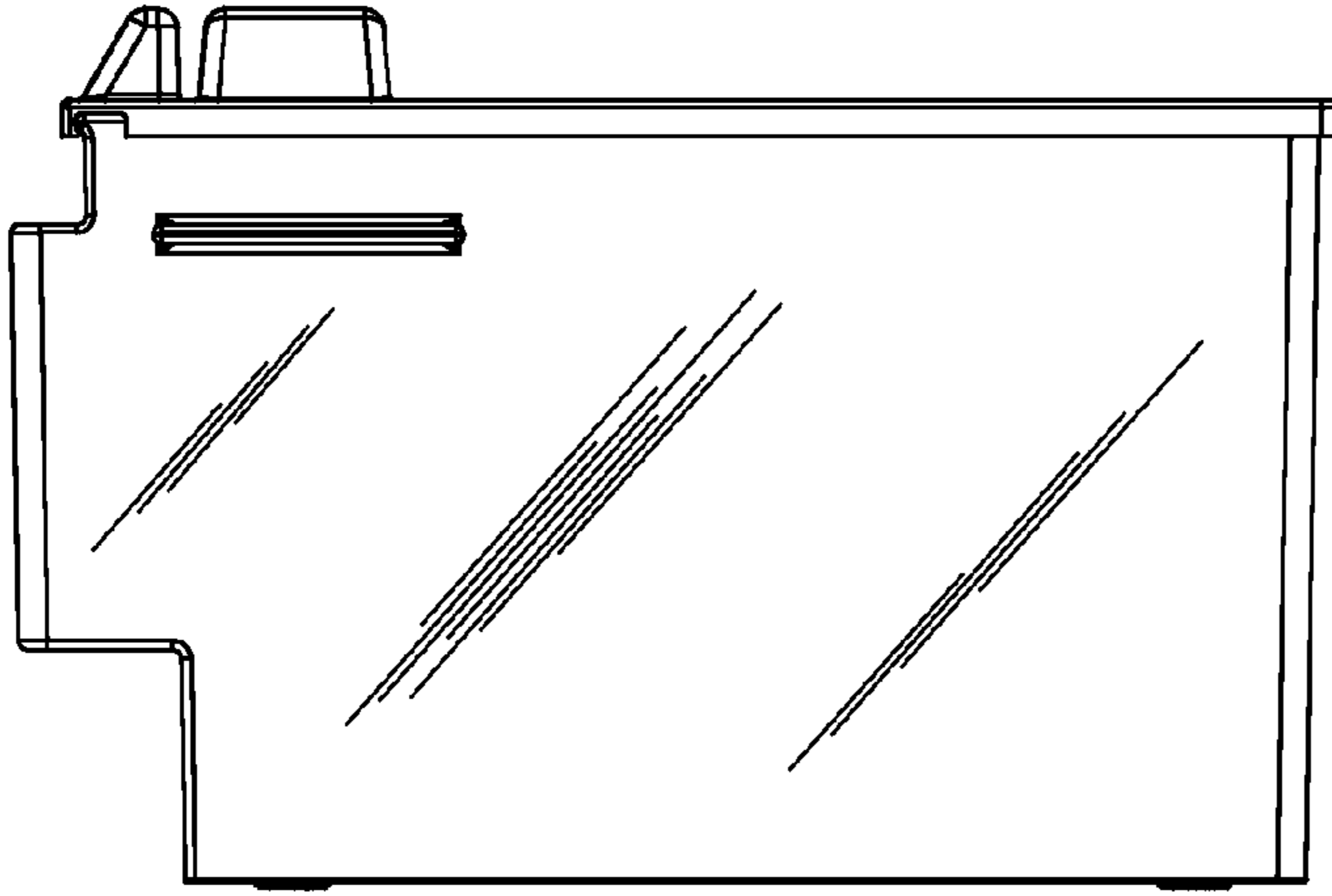
**FIG. 4**



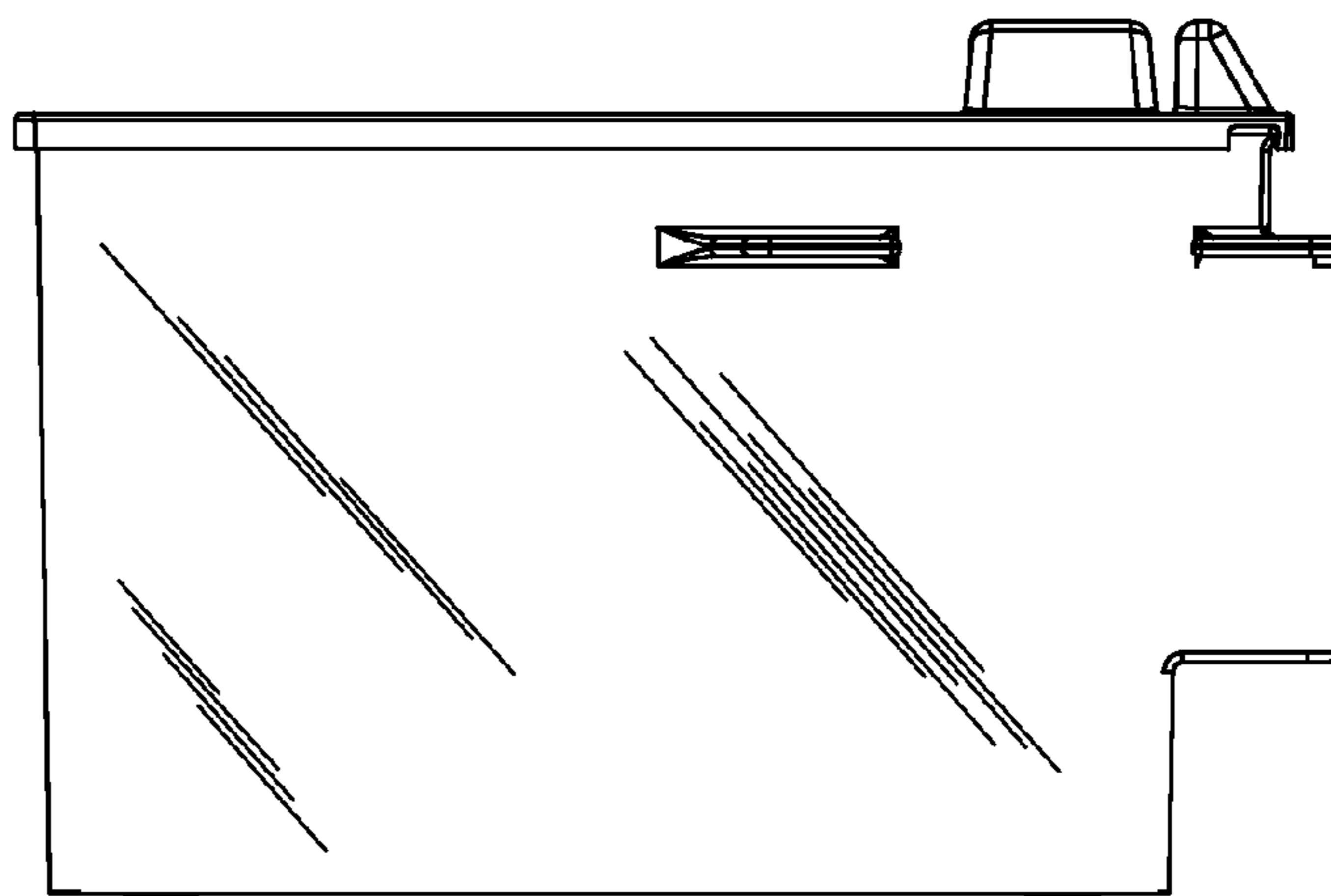
**FIG. 5**



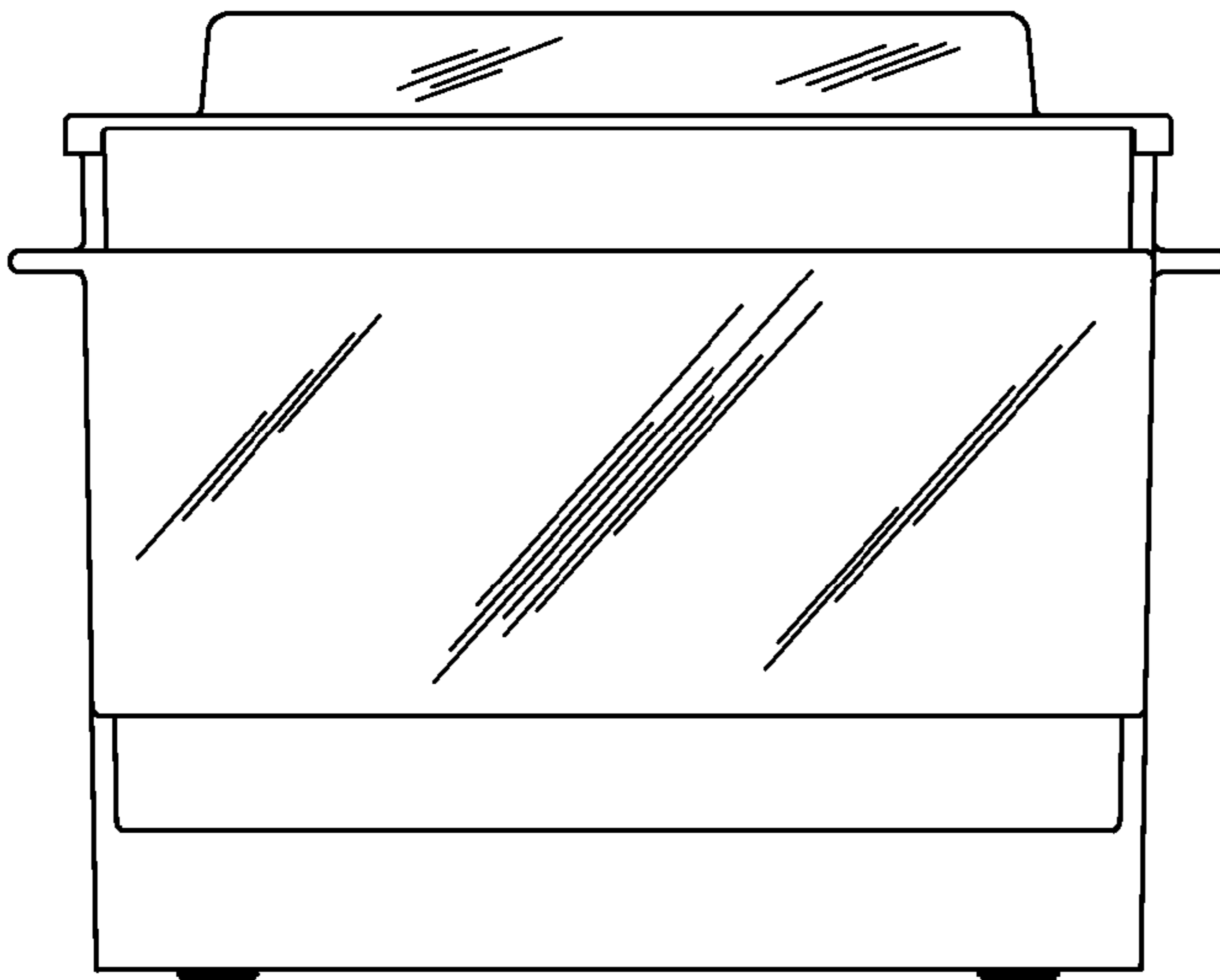
**FIG. 6**



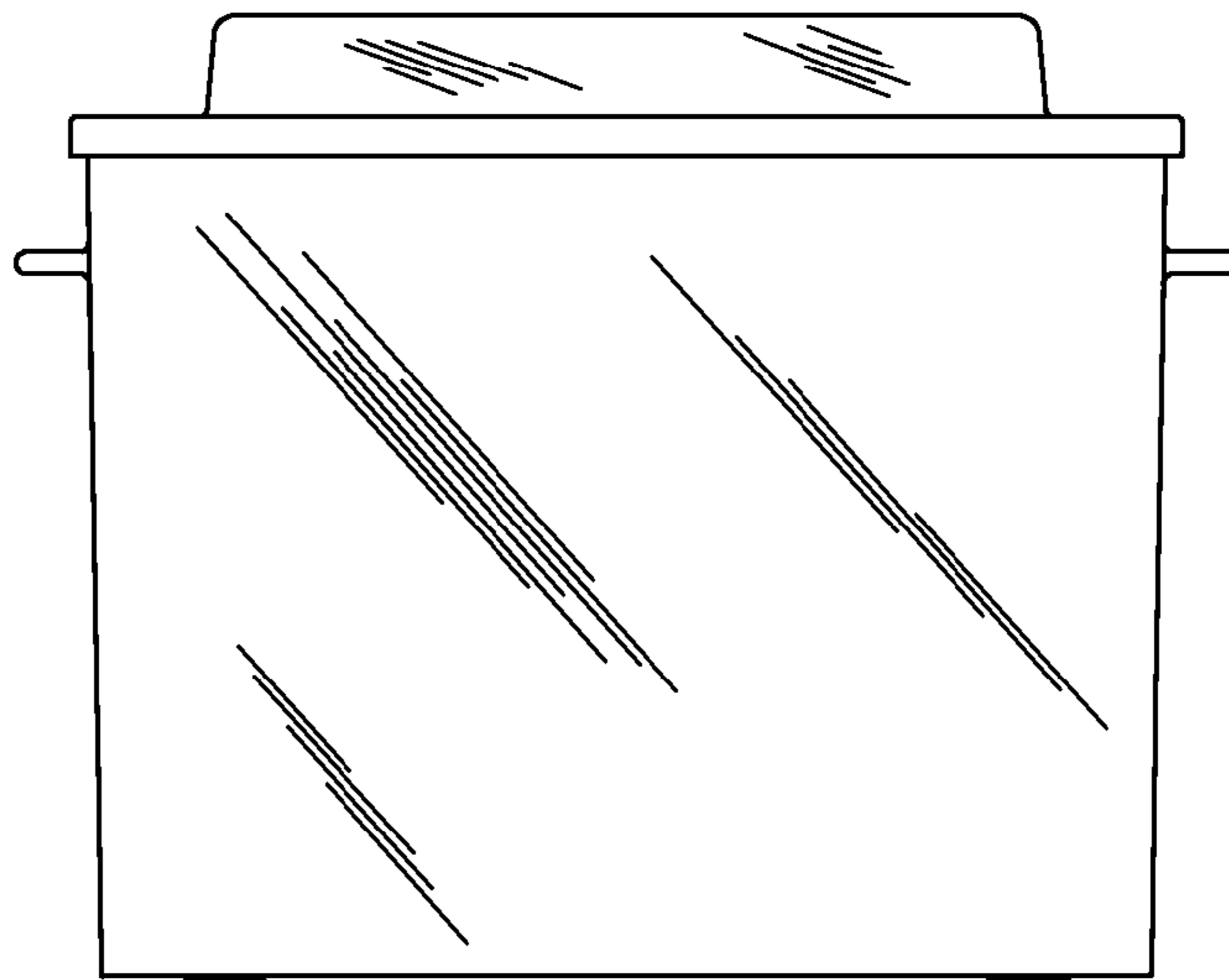
**FIG. 7**



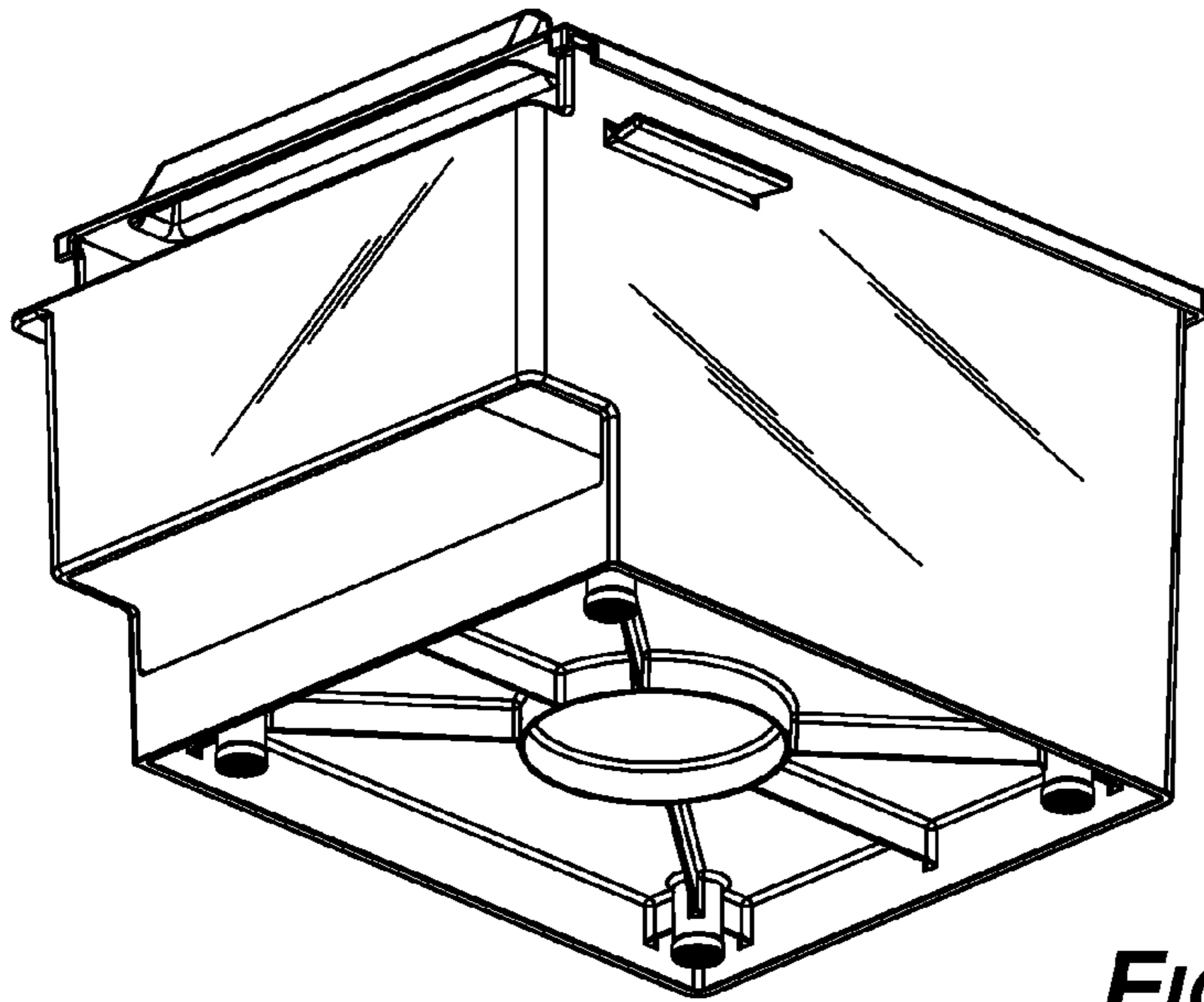
**FIG. 8**



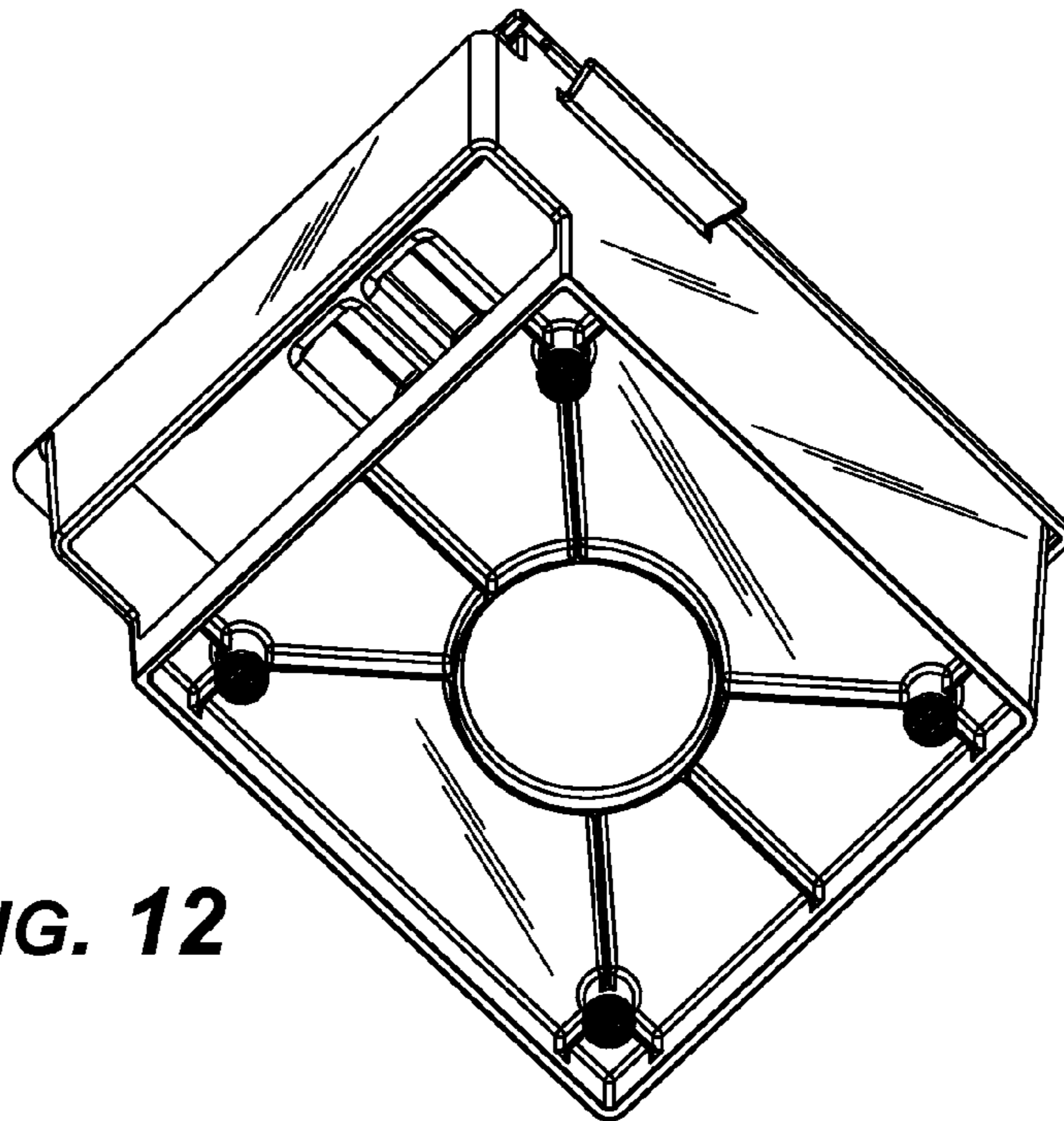
**FIG. 9**



**FIG. 10**



**FIG. 11**



**FIG. 12**