



US00D732291S

(12) **United States Design Patent**
Hsieh

(10) **Patent No.:** **US D732,291 S**

(45) **Date of Patent:** **** Jun. 23, 2015**

(54) **TOOL HOLDER**

(71) Applicant: **Chih-Chien Hsieh**, Taichung (TW)

(72) Inventor: **Chih-Chien Hsieh**, Taichung (TW)

(**) Term: **14 Years**

(21) Appl. No.: **29/507,362**

(22) Filed: **Oct. 27, 2014**

(51) **LOC (10) Cl.** **03-01**

(52) **U.S. Cl.**
USPC **D3/284**; D3/294; D3/905; D3/292

(58) **Field of Classification Search**
USPC D3/905, 276, 279–284, 291, 294, 295,
D3/298, 901, 302, 272, 273, 274, 903;
206/372–379; 220/523–528
CPC B25H 3/02–3/028; B25H 3/00
See application file for complete search history.

(56) **References Cited**

U.S. PATENT DOCUMENTS

6,360,892	B1 *	3/2002	Chen	206/376
D461,311	S *	8/2002	Gharib	D3/315
6,679,391	B1 *	1/2004	Huang	211/70.6
D495,248	S *	8/2004	Krebs et al.	D3/302
D531,798	S *	11/2006	Ringo	D3/273
7,987,975	B1 *	8/2011	Lee	206/45.23
8,408,388	B1 *	4/2013	Chen	206/45.24
D690,934	S *	10/2013	Robinson et al.	D3/294
2005/0051446	A1 *	3/2005	Chen	206/376

2006/0096878	A1 *	5/2006	Chen	206/376
2007/0017837	A1 *	1/2007	McCambridge et al.	206/373
2009/0032484	A1 *	2/2009	Hu	211/70.6

* cited by examiner

Primary Examiner — Jennifer Rivard

Assistant Examiner — April Rivas

(74) *Attorney, Agent, or Firm* — Egbert Law Offices, PLLC

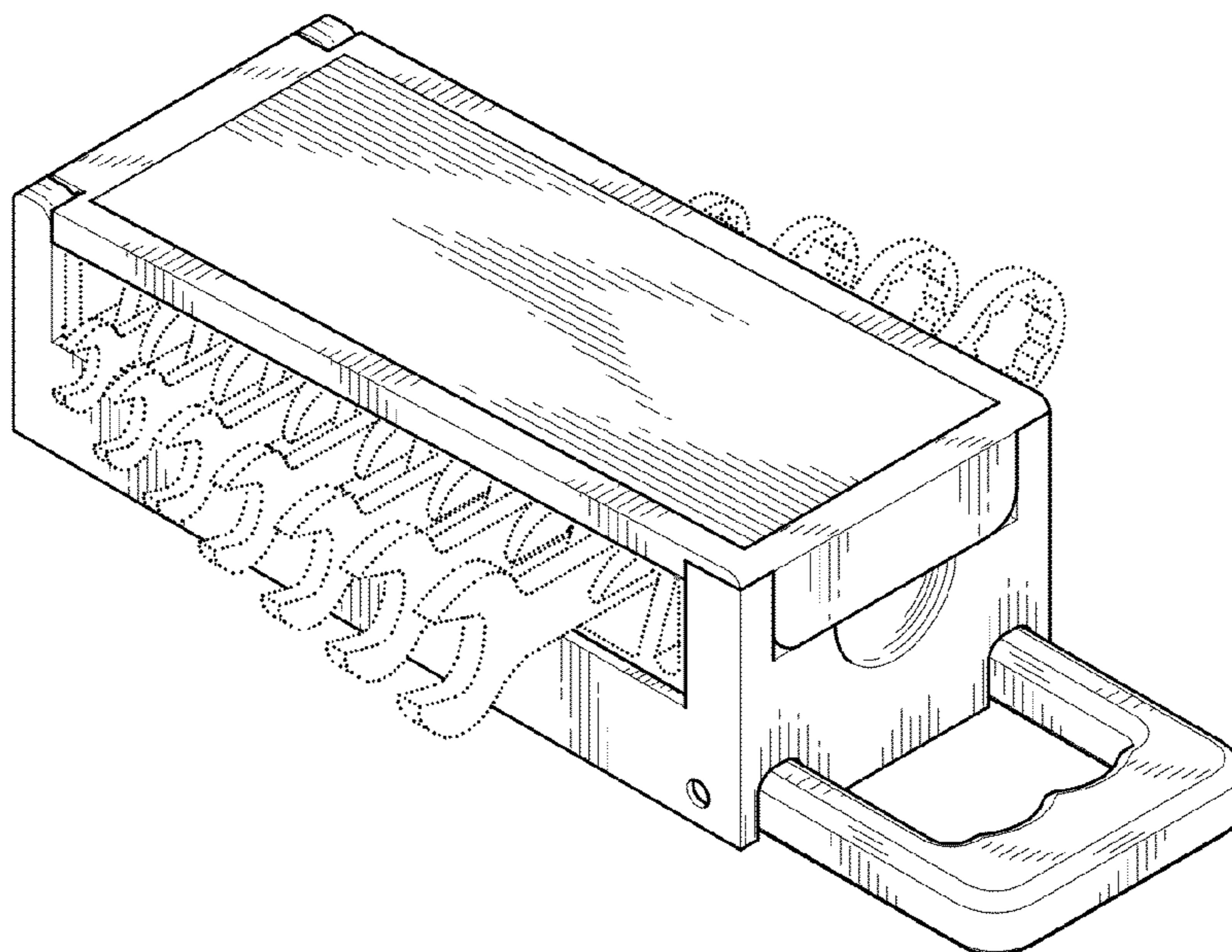
(57) **CLAIM**

The ornamental design for a tool holder, as shown and described.

DESCRIPTION

FIG. 1 is an upper perspective view of a tool holder showing my new design.
 FIG. 2 is a side elevation view thereof;
 FIG. 3 is an opposite side elevation view thereof;
 FIG. 4 is a rear elevation view thereof;
 FIG. 5 is a front elevation view thereof;
 FIG. 6 is a top plan view thereof;
 FIG. 7 is an upper perspective view thereof, wherein the tool holder is in an opened state.
 FIG. 8 is an upper perspective view thereof, wherein the tool holder is in a condition of use and in an open configuration; and,
 FIG. 9 is an upper perspective view thereof, wherein the tool holder is in a condition of use and in a closed configuration.
 The broken lines in the drawings represent environmental matter and form no part of the claimed design.

1 Claim, 9 Drawing Sheets



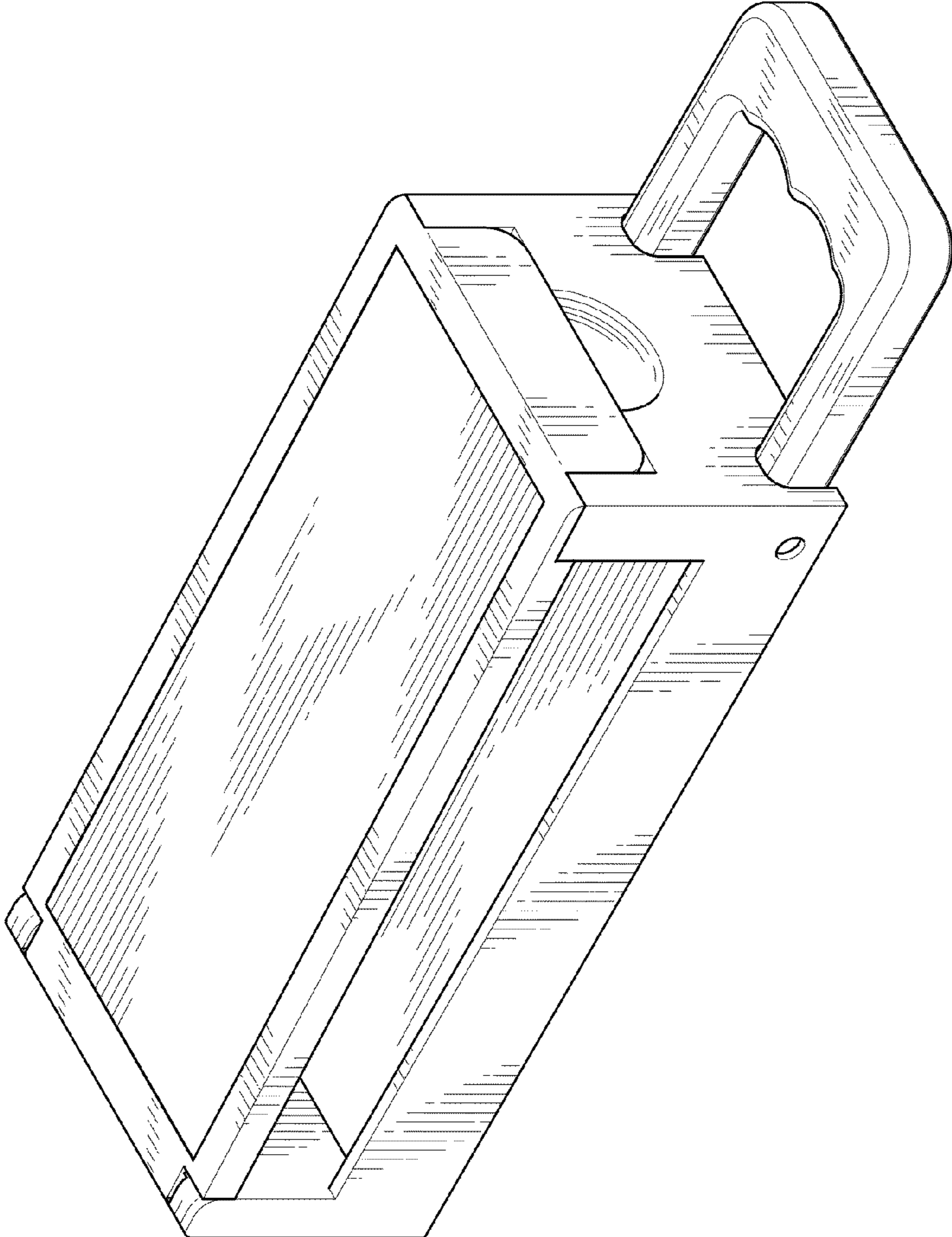


FIG.1

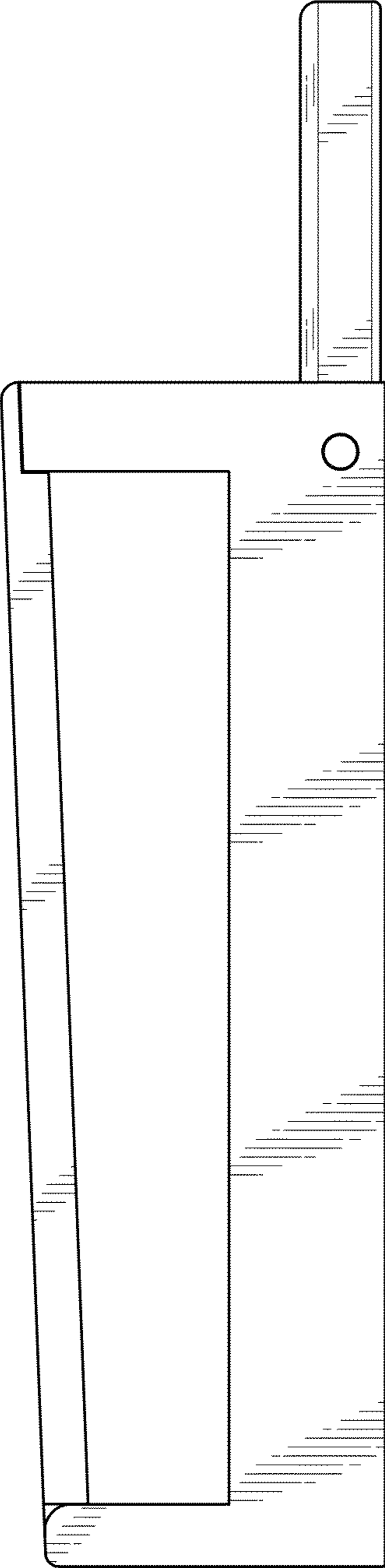


FIG.2

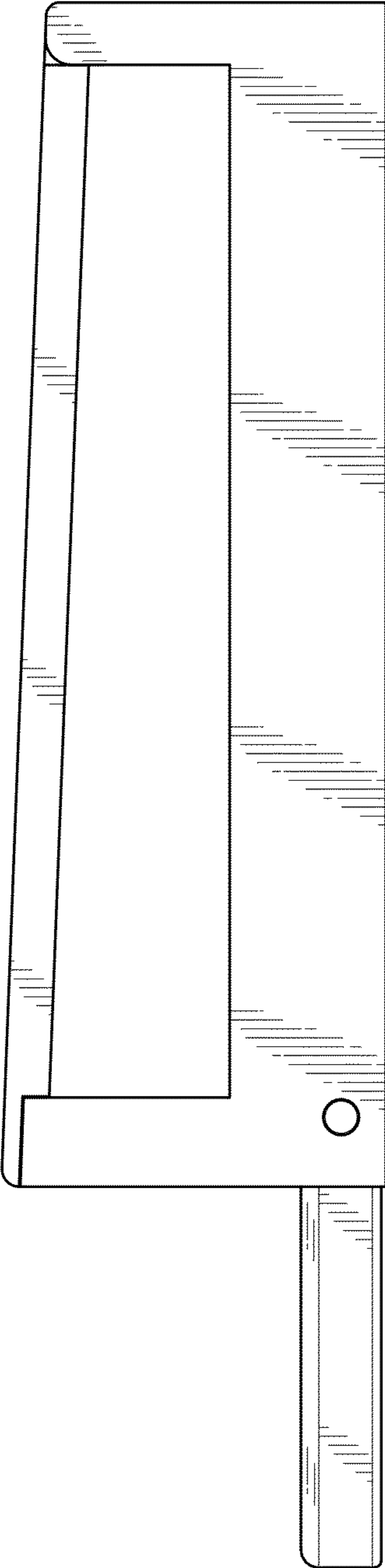


FIG. 3

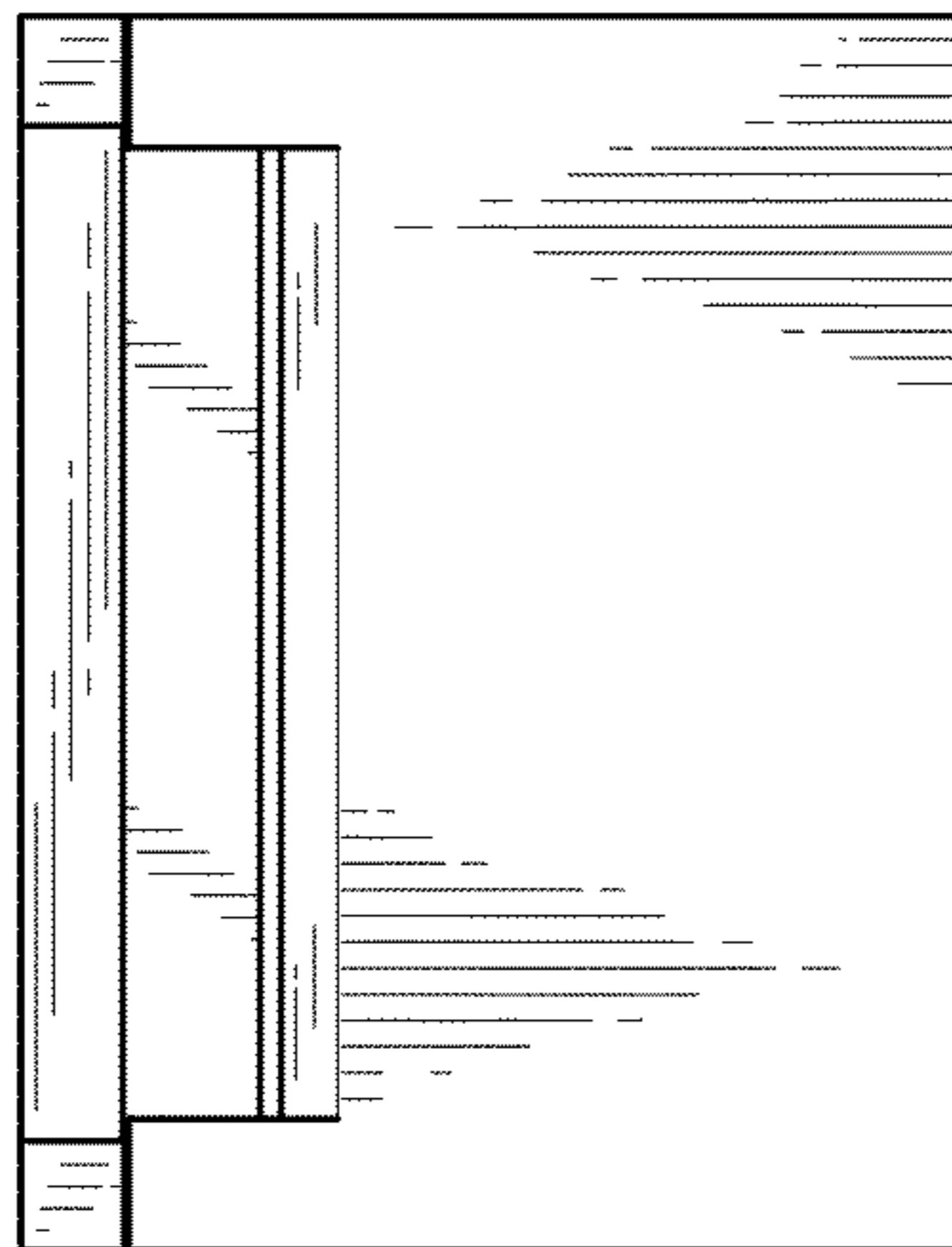


FIG.4

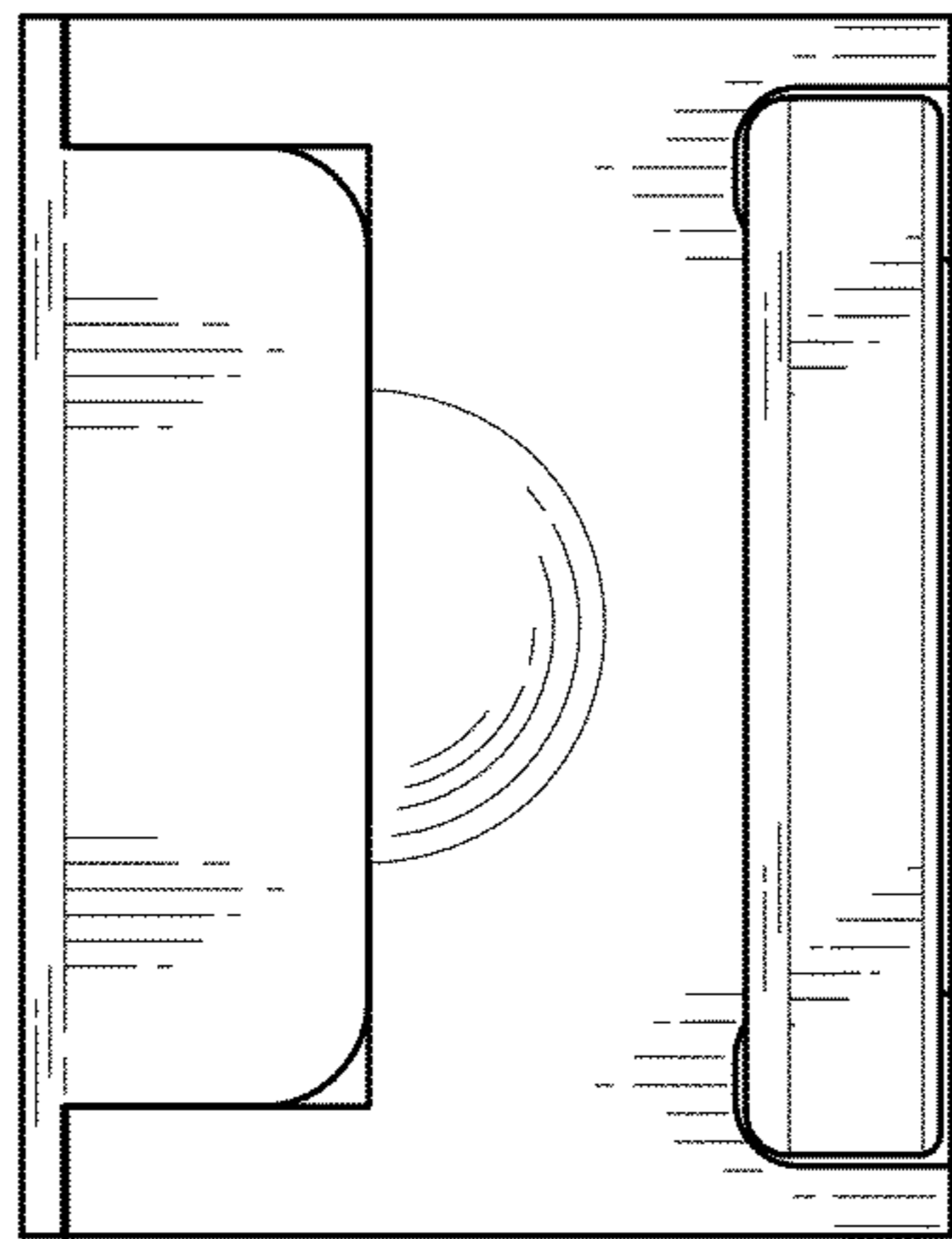


FIG.5

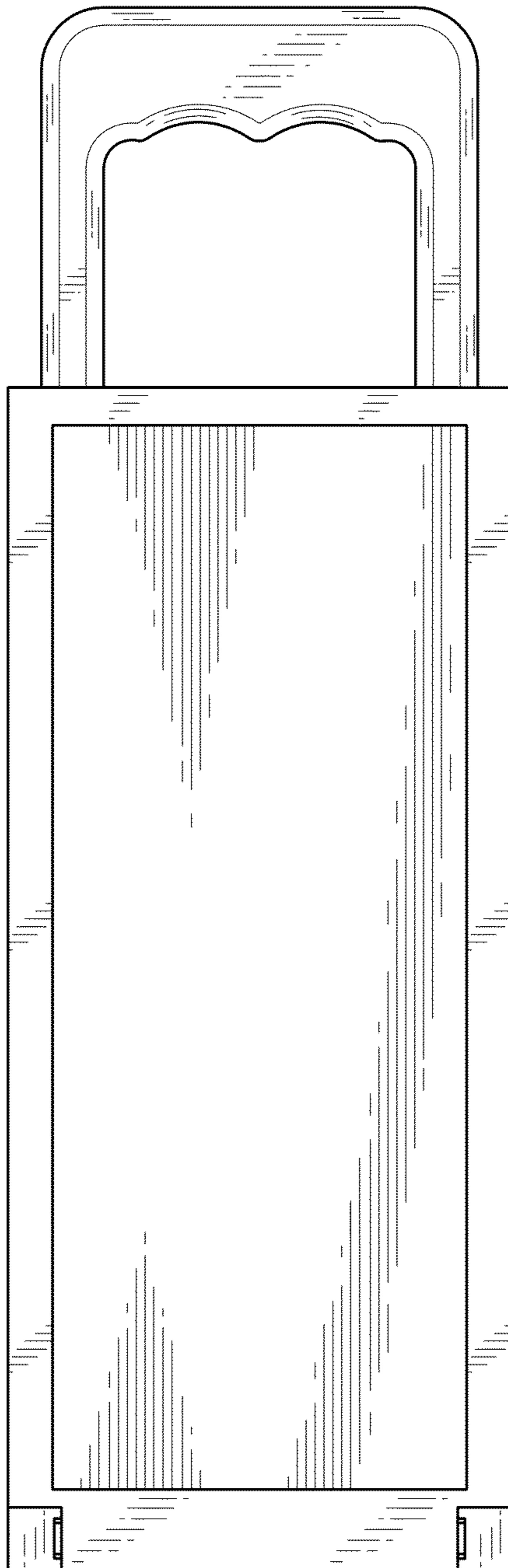


FIG.6

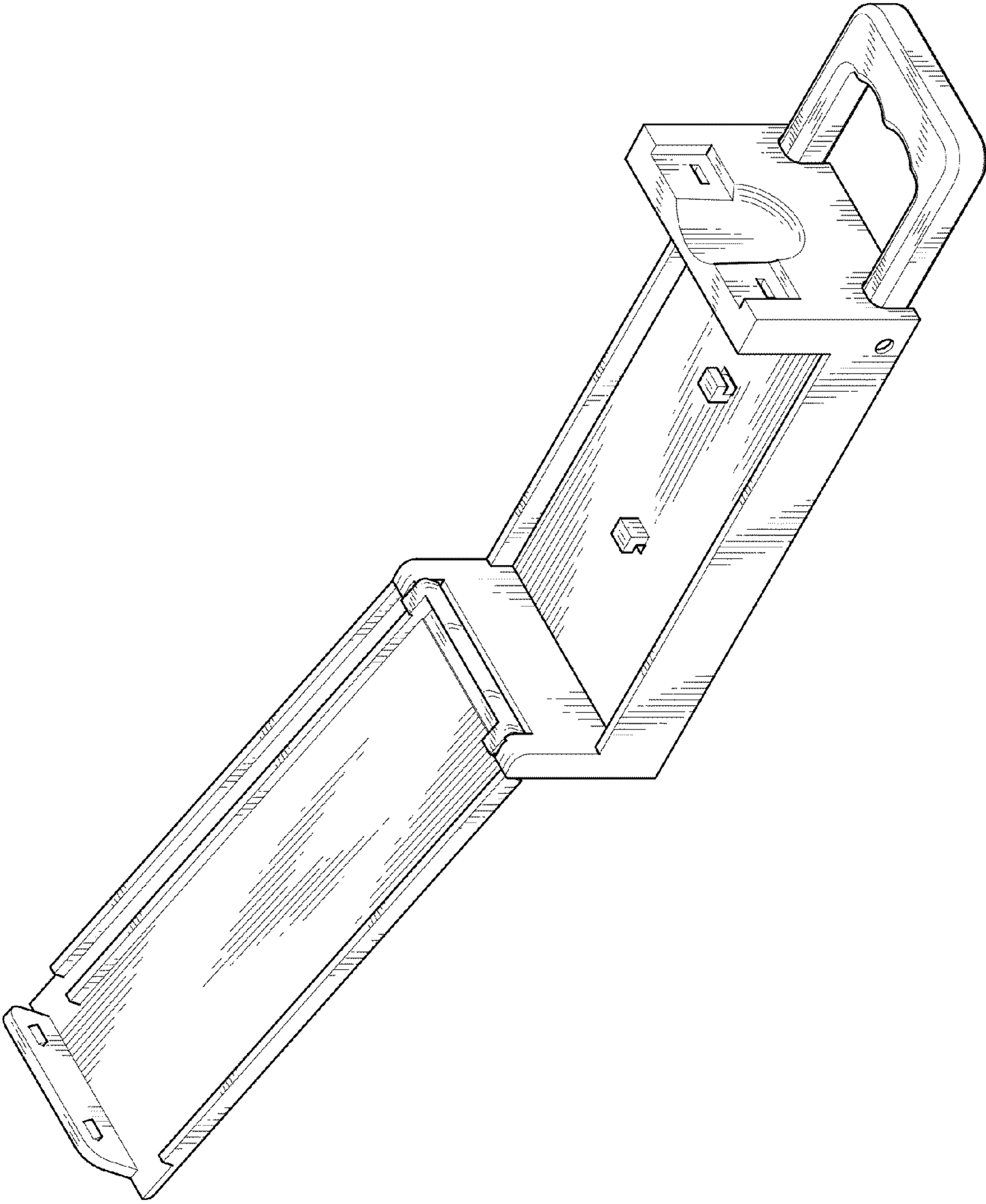


FIG. 7

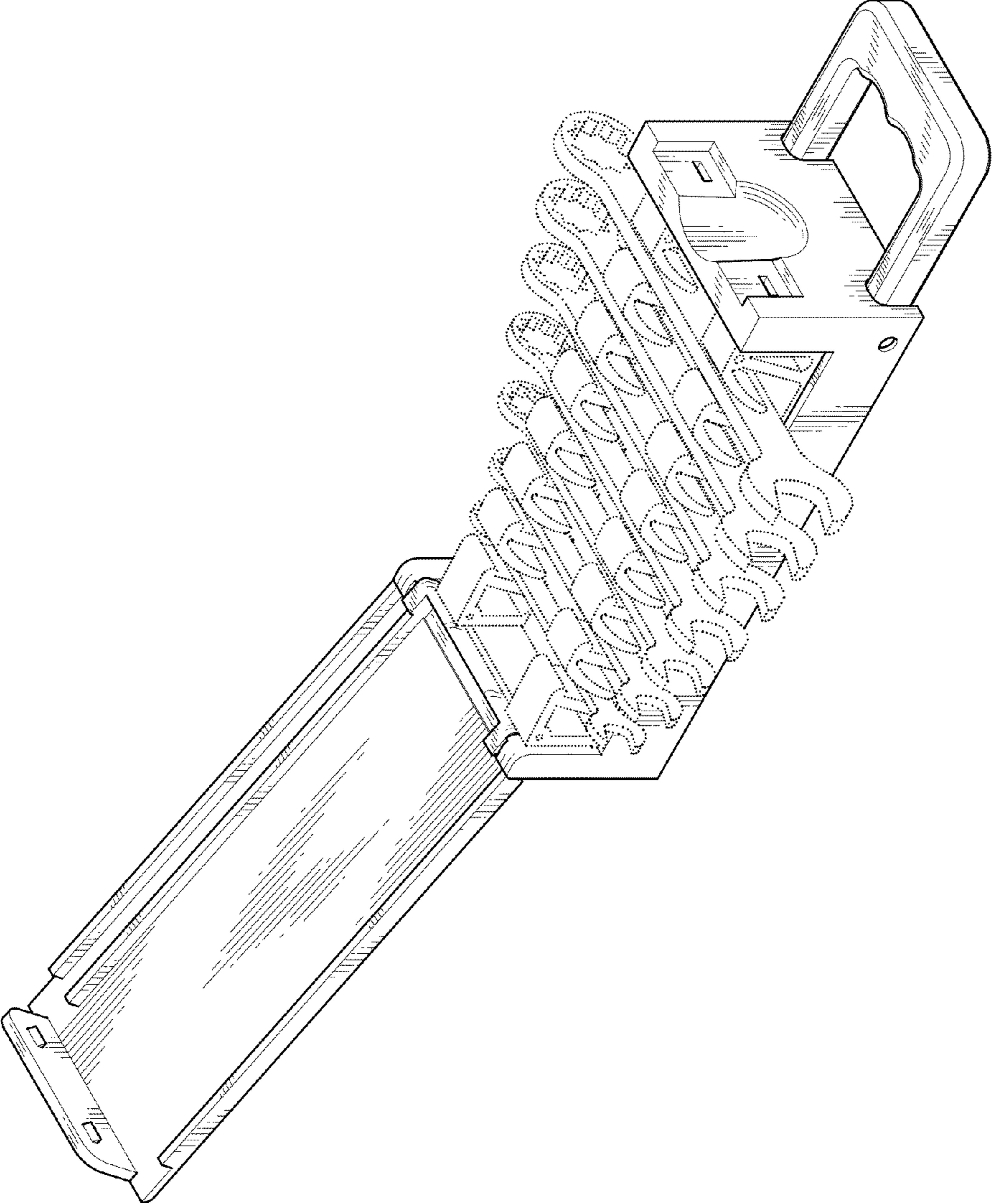


FIG. 8

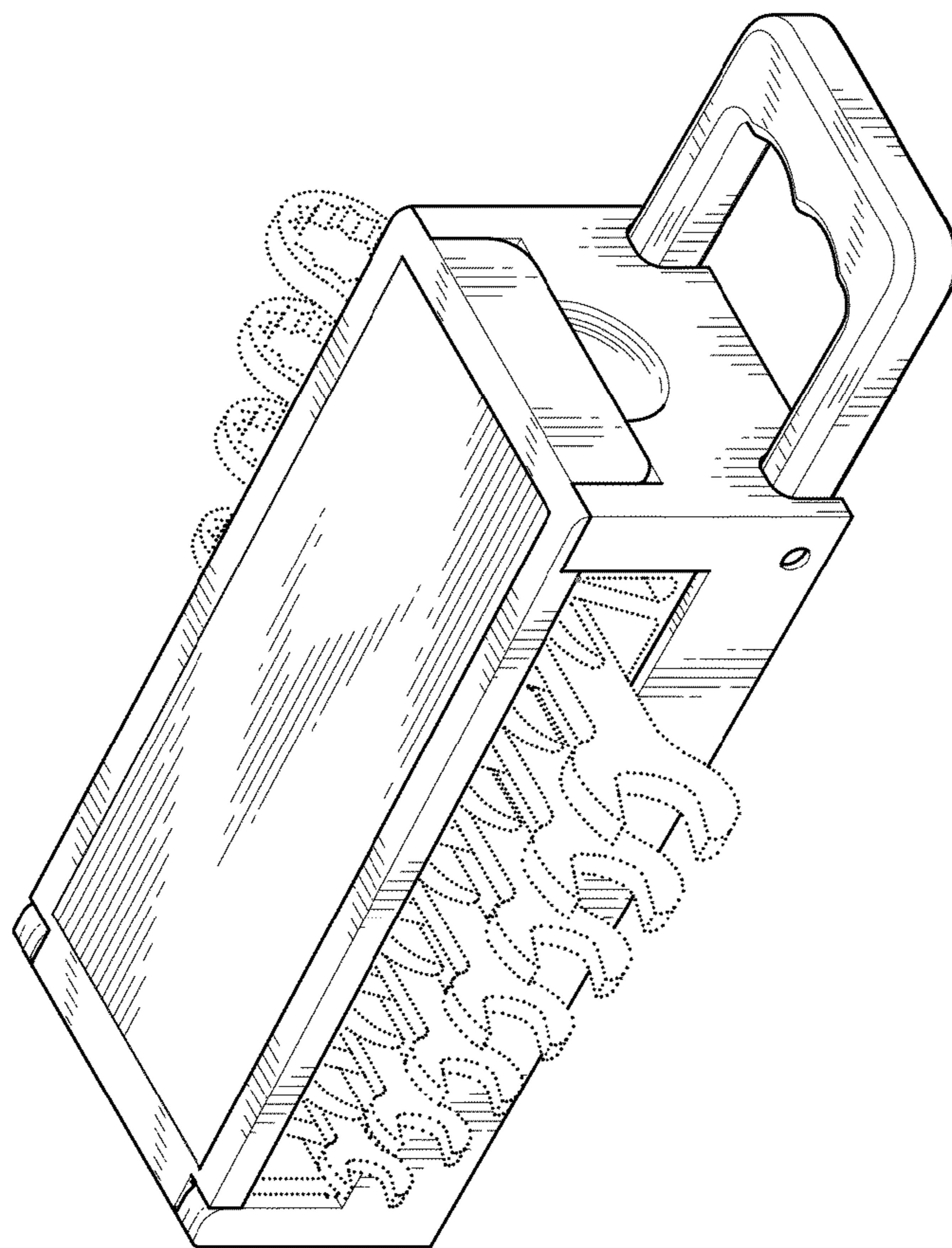


FIG. 9