



US00D732290S

(12) **United States Design Patent**
Morrison et al.

(10) **Patent No.:** **US D732,290 S**
(45) **Date of Patent:** **** Jun. 23, 2015**

(54) **COMBINED CARRYING CASE WITH
PACKAGED INSTRUMENT COMPONENTS**

(71) Applicant: **Church of Spiritual Technology**, Los Angeles, CA (US)

(72) Inventors: **Reiko Morrison**, Westlake Village, CA (US); **Russell Bellin**, Los Angeles, CA (US); **Tylor Garland**, Los Angeles, CA (US)

(73) Assignee: **Church of Spiritual Technology**, Hollywood, CA (US)

(**) Term: **14 Years**

(21) Appl. No.: **29/452,219**

(22) Filed: **Apr. 12, 2013**

(51) **LOC (10) Cl.** **03-01**

(52) **U.S. Cl.**
USPC **D3/274; D3/284; D3/295; D3/900**

(58) **Field of Classification Search**
USPC D3/900, 276, 232, 273, 282, 281, 291,
D3/294, 274, 301, 905, 901, 289;
190/100-127, 900; 206/19, 305, 307.1
See application file for complete search history.

(56) **References Cited**

U.S. PATENT DOCUMENTS

D351,282 S *	10/1994	Masaru	D3/279
D369,240 S *	4/1996	Newby, Sr.	D3/268
D370,557 S *	6/1996	Ferris et al.	D3/205
D370,563 S *	6/1996	Sijmons	D3/276
D393,153 S *	4/1998	Farrage	D3/279
D413,727 S *	9/1999	Sijmons	D3/273
D429,975 S *	8/2000	Marshall-Rees et al.	D7/709
D449,738 S *	10/2001	Snider et al.	D3/282
D449,931 S *	11/2001	Snider	D3/294
D466,295 S *	12/2002	Snider	D3/276
D476,152 S *	6/2003	Lee	D3/274
D506,611 S *	6/2005	Hiller et al.	D3/294
D506,868 S *	7/2005	Kavovit	D3/282

D507,877 S *	8/2005	Lin	D3/282
D509,960 S *	9/2005	Yeung	D3/294
D516,811 S *	3/2006	Kahle et al.	D3/282
D527,182 S *	8/2006	Ham	D3/294

(Continued)

OTHER PUBLICATIONS

Clearbird Publishing. "All Meters" Freezone Earth, Apr. 21, 2013.
<<http://freezoneearth.org/allmeters/>>.*

Primary Examiner — Jennifer Rivard

Assistant Examiner — April Rivas

(74) *Attorney, Agent, or Firm* — Robert A. Seldon

(57) **CLAIM**

The ornamental design for a combined carrying case with packaged instrument components, as shown and described.

DESCRIPTION

FIG. 1 is an oblique top perspective view of a combined carrying case with packaged instrument components constructed in accordance with the invention;

FIG. 2 is a front elevational view of the combined carrying case with packaged instrument components illustrated in FIG. 1;

FIG. 3 is a right side elevation view of the combined carrying case with packaged instrument components illustrated in FIG. 1, a left side exterior view being a minor image thereof;

FIG. 4 is a top plan view of the combined carrying case with packaged instrument components illustrated in FIG. 1;

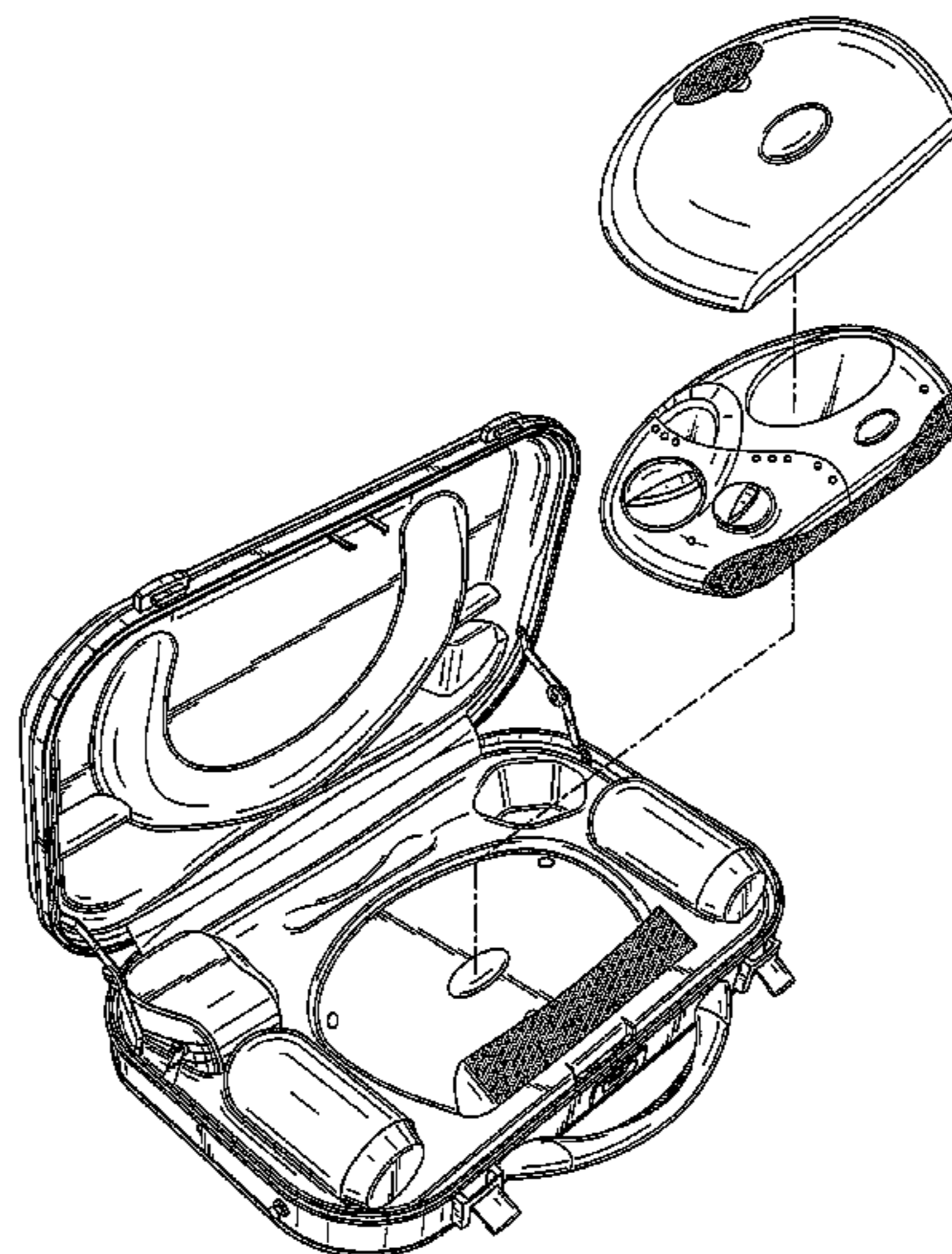
FIG. 5 is a rear elevation view of the combined carrying case with packaged instrument components illustrated in FIG. 1;

FIG. 6 is a top perspective view of a combined carrying case with packaged instrument components wherein the centrally located component's cover has been removed; and,

FIG. 7 is an exploded top perspective view of a combined carrying case with packaged instrument components.

The broken lines illustrate portions of the combined carrying case with packaged instrument components and form no part of the claimed design.

1 Claim, 7 Drawing Sheets



US D732,290 S

Page 2

(56)

References Cited

U.S. PATENT DOCUMENTS

D548,968 S * 8/2007 Brown D3/294
D566,484 S * 4/2008 George D7/629
D588,806 S * 3/2009 Thompson et al. D3/260

D619,089 S * 7/2010 Chen D13/102
D678,676 S * 3/2013 Bettua et al. D3/276
D692,236 S * 10/2013 Ashkenazy D3/289

* cited by examiner

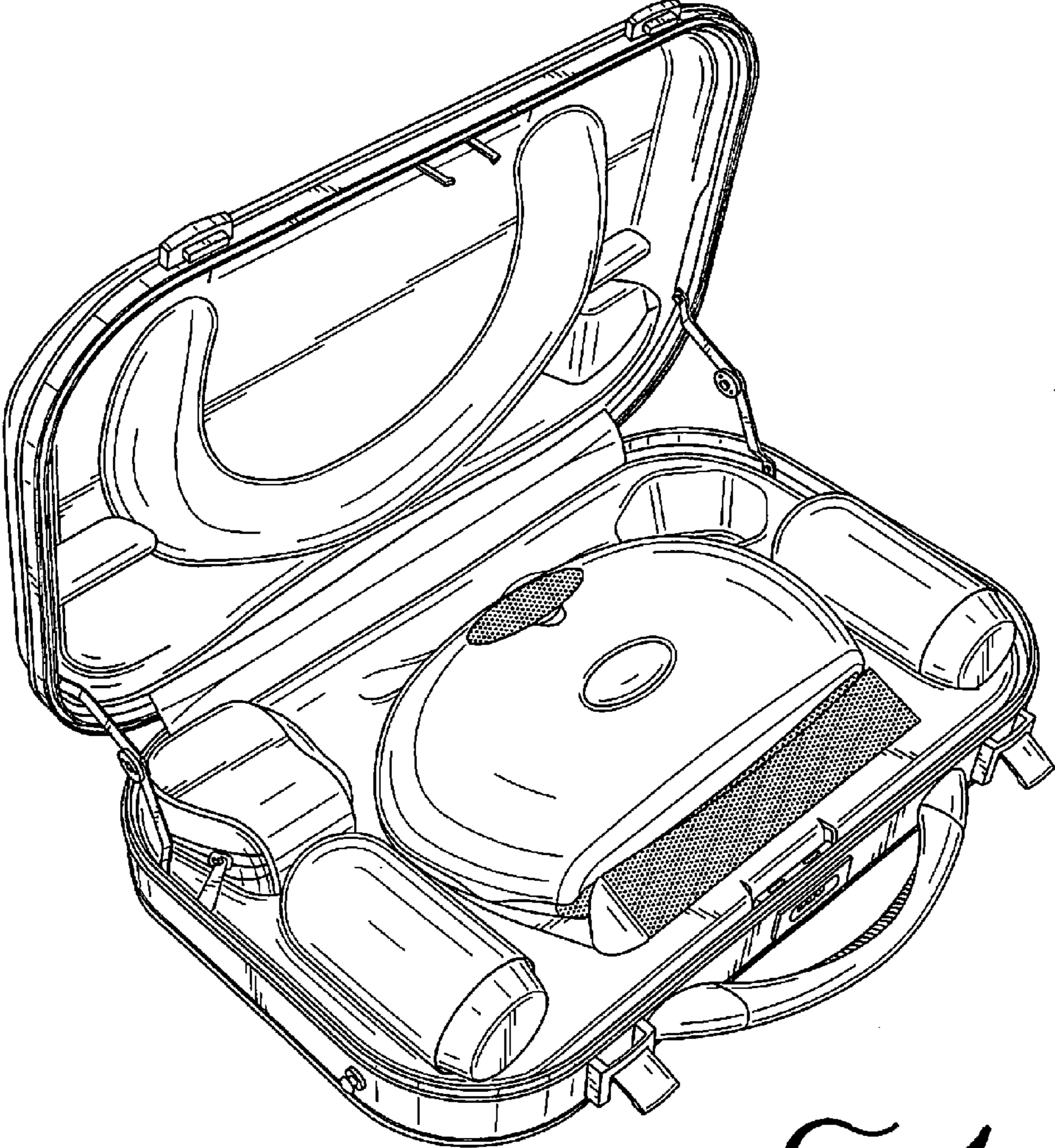


FIG. 1

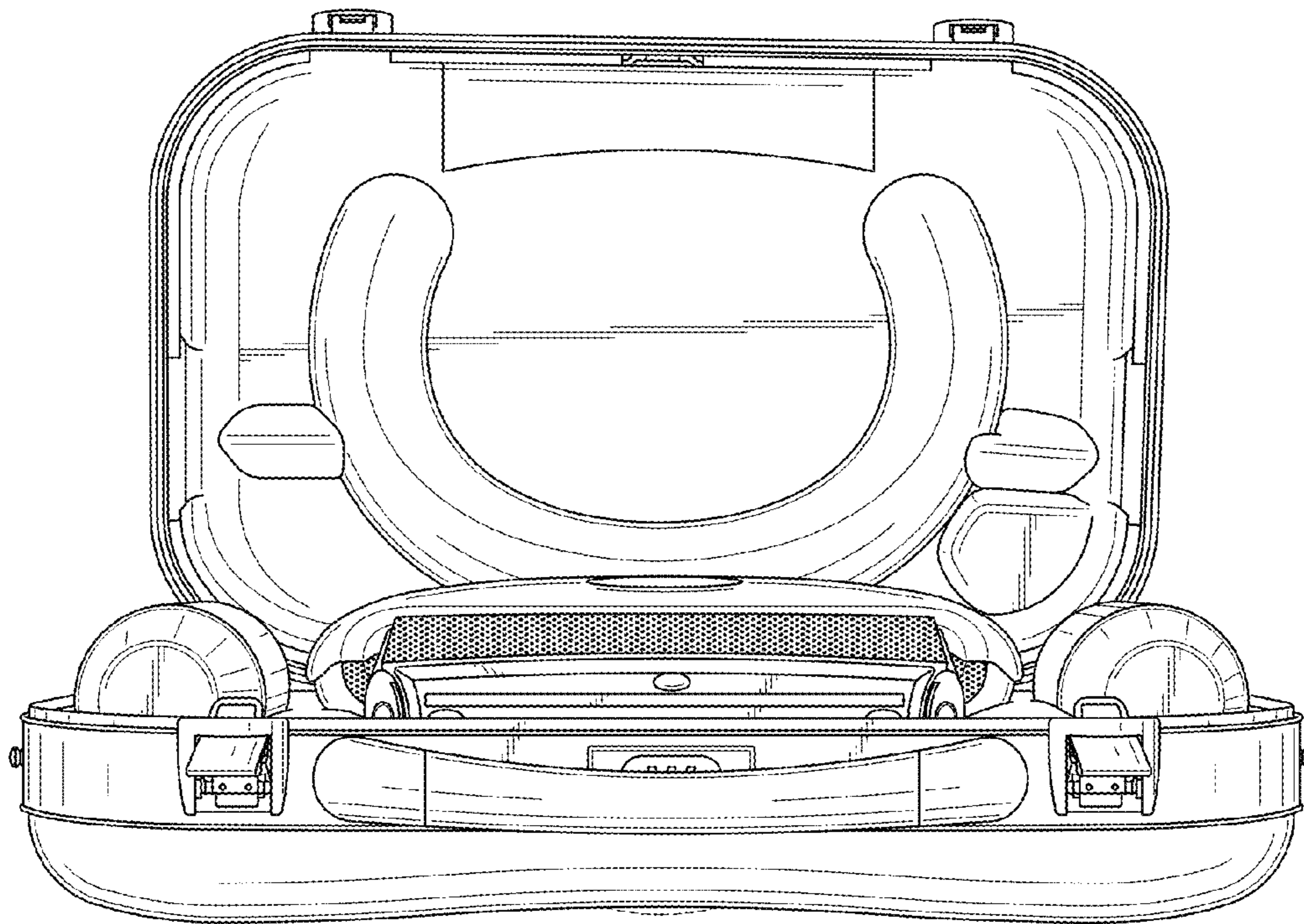


FIG. 2

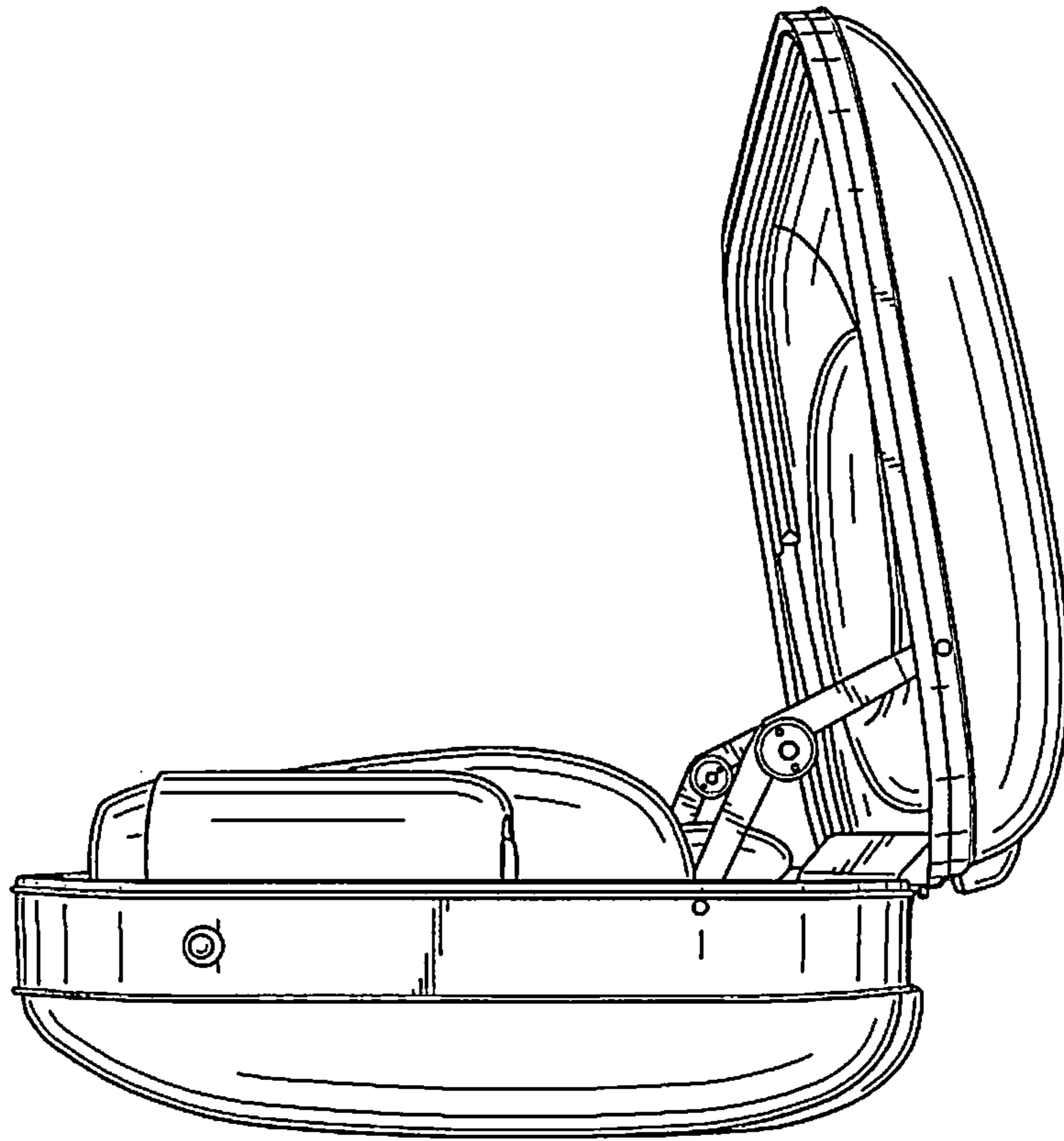


FIG. 3

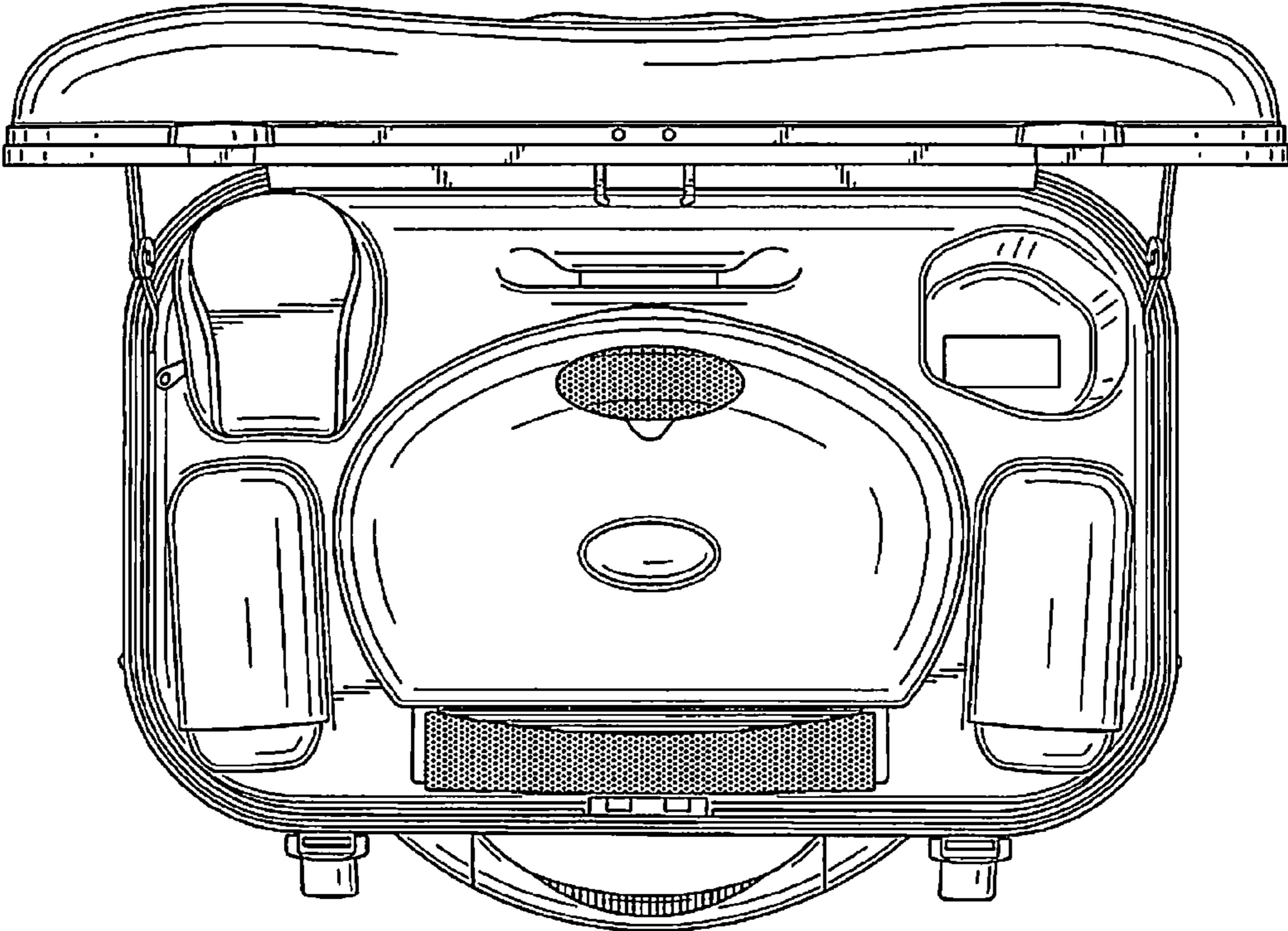


FIG. 4

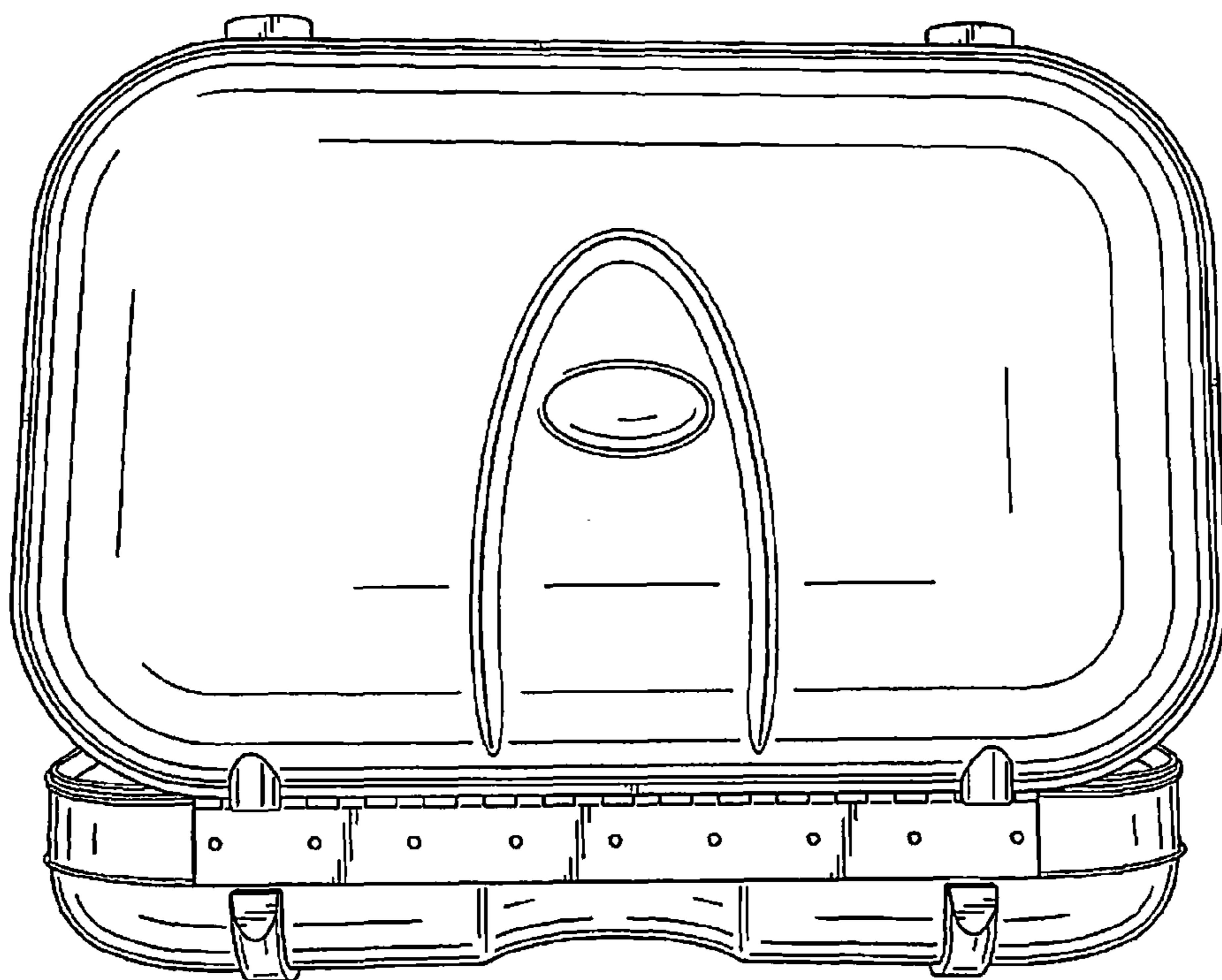


FIG. 5

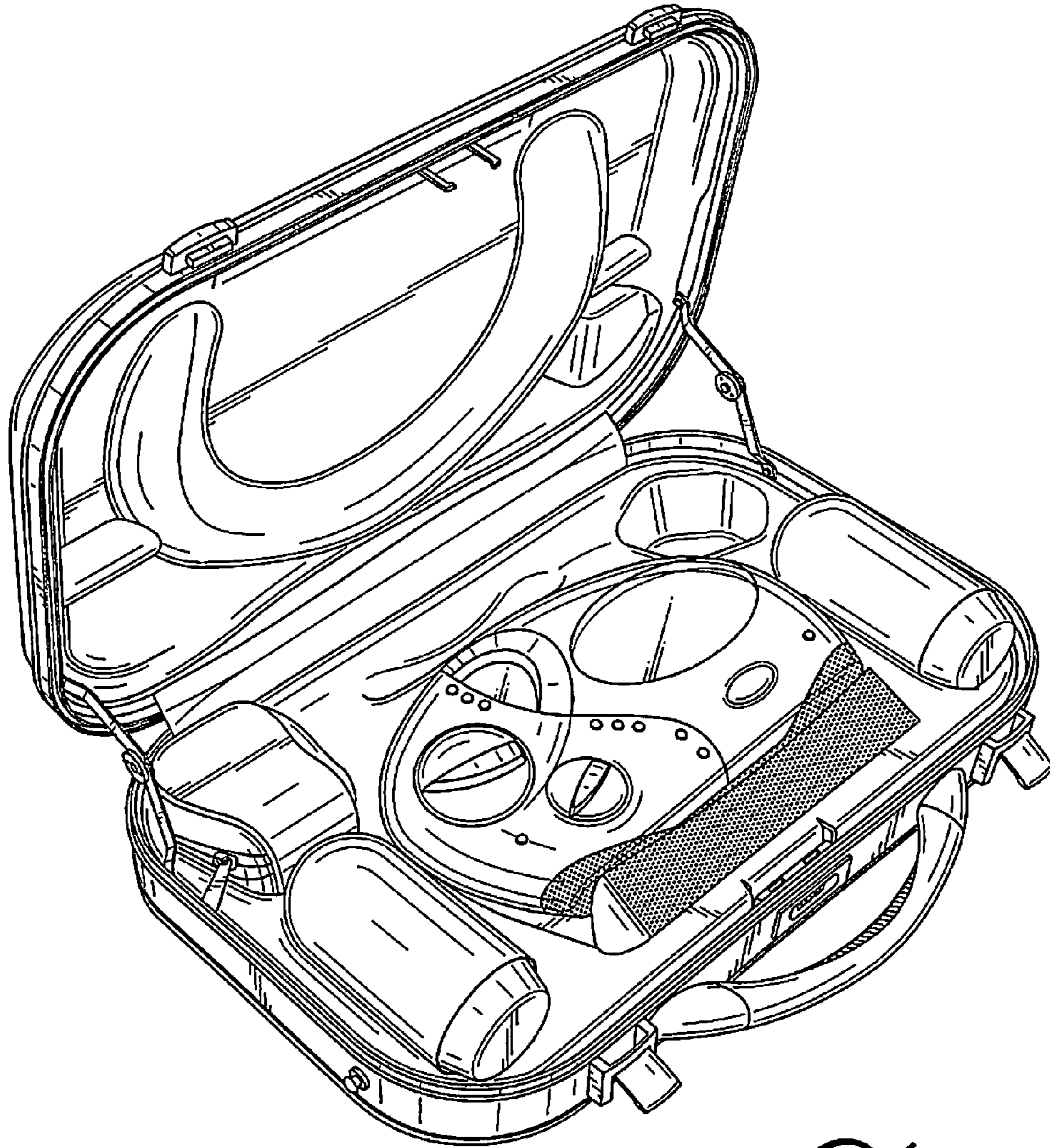


FIG. 6

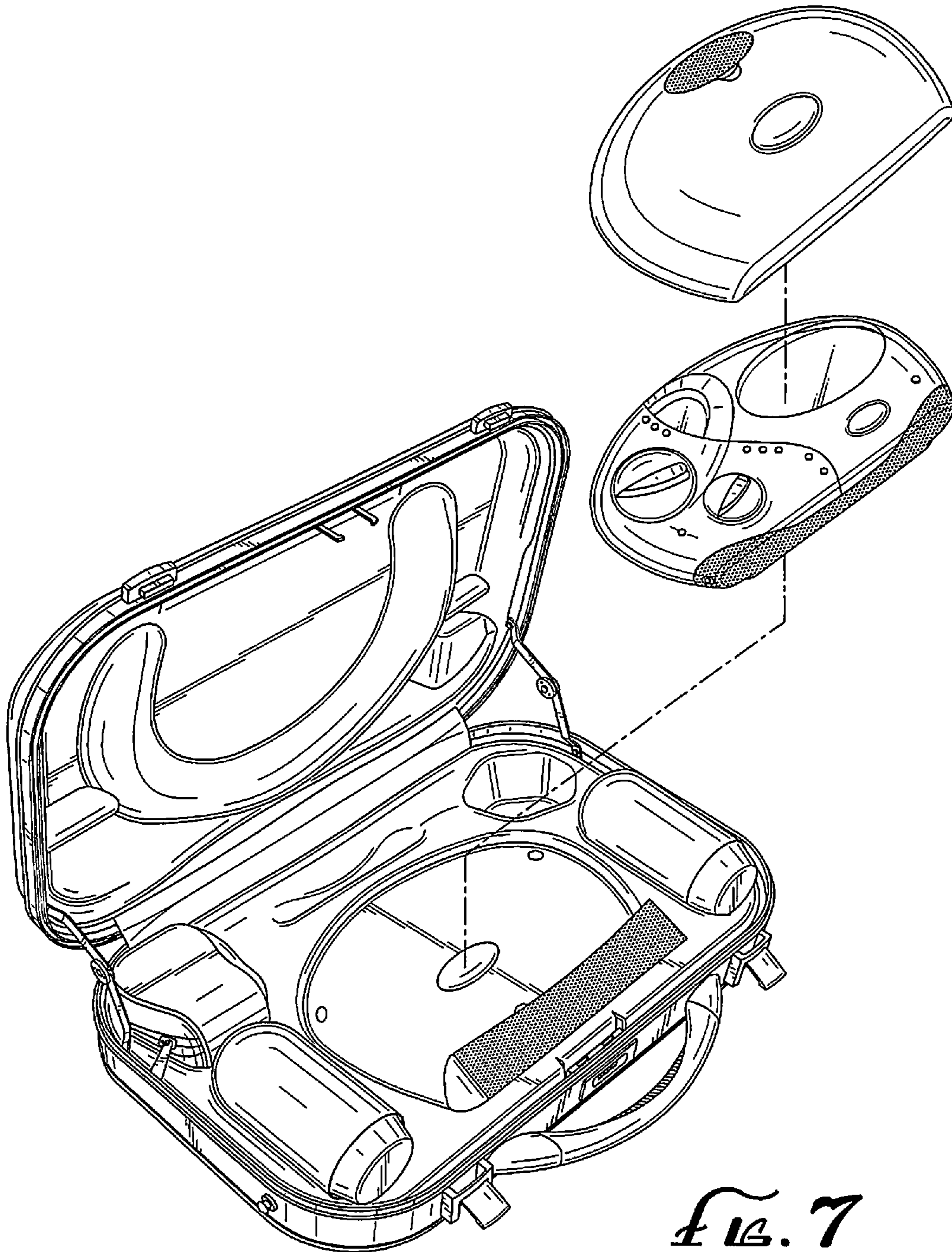


FIG. 7