



US00D732287S

(12) **United States Design Patent**
Clark

(10) **Patent No.:** **US D732,287 S**
(45) **Date of Patent:** **** Jun. 23, 2015**

(54) **BACKPACK WITH INTEGRATED DVD
PLAYER AND/OR RADIO**

(71) Applicant: **Frederick Clark**, Fayetteville, NC (US)

(72) Inventor: **Frederick Clark**, Fayetteville, NC (US)

(**) Term: **14 Years**

(21) Appl. No.: **29/468,755**

(22) Filed: **Oct. 2, 2013**

(51) **LOC (10) Cl.** **03-01**

(52) **U.S. Cl.**

USPC **D3/217**; D14/129; D14/498; D14/168

(58) **Field of Classification Search**

USPC D14/125, 129, 496, 498–511, 168–171;
455/90.1–90.3, 344–355;

720/600–601, 612, 619, 655; 224/576,

224/580–584; D3/216–218

See application file for complete search history.

(56) **References Cited**

U.S. PATENT DOCUMENTS

D351,943	S	*	11/1994	Young	D3/216
5,409,152	A	*	4/1995	Trevino	224/576
D374,979	S	*	10/1996	Roberson et al.	D3/217
5,706,992	A		1/1998	Moor		
D390,352	S	*	2/1998	Lane	D3/216
6,393,745	B1		5/2002	Miki		
D469,952	S	*	2/2003	Daglow et al.	D3/216
6,712,249	B2	*	3/2004	Magnusson et al.	224/576
6,772,883	B2		8/2004	Lindamood		
D610,797	S	*	3/2010	Shor et al.	D3/217
D614,400	S		4/2010	Simonian et al.		
D673,362	S	*	1/2013	Presman et al.	D3/217
D674,183	S	*	1/2013	Iacchetti	D3/216
D699,032	S		2/2014	BenDavid		
2006/0163303	A1		7/2006	Trutanich		
2010/0116860	A1		5/2010	Tello		

OTHER PUBLICATIONS

Commonly-assigned, co-pending Design U.S. Appl. No. 29/514,651 for "Backpack," (Unpublished, filed Jan. 14, 2015).

* cited by examiner

Primary Examiner — Sandra Morris

(74) *Attorney, Agent, or Firm* — Jenkins, Wilson, Taylor & Hunt, P.A.

(57) **CLAIM**

The ornamental design for a backpack with integrated DVD player and/or radio, as shown and described.

DESCRIPTION

FIG. 1 is a perspective view of an ornamental design for backpack with integrated DVD player and/or radio according to an embodiment of the subject matter described herein;

FIG. 2 is a front view of an ornamental design for backpack with integrated DVD player and/or radio according to an embodiment of the subject matter described herein;

FIG. 3 is a rear view of an ornamental design for backpack with integrated DVD player and/or radio according to an embodiment of the subject matter described herein;

FIG. 4 is a right side view of an ornamental design for backpack with integrated DVD player and/or radio according to an embodiment of the subject matter described herein;

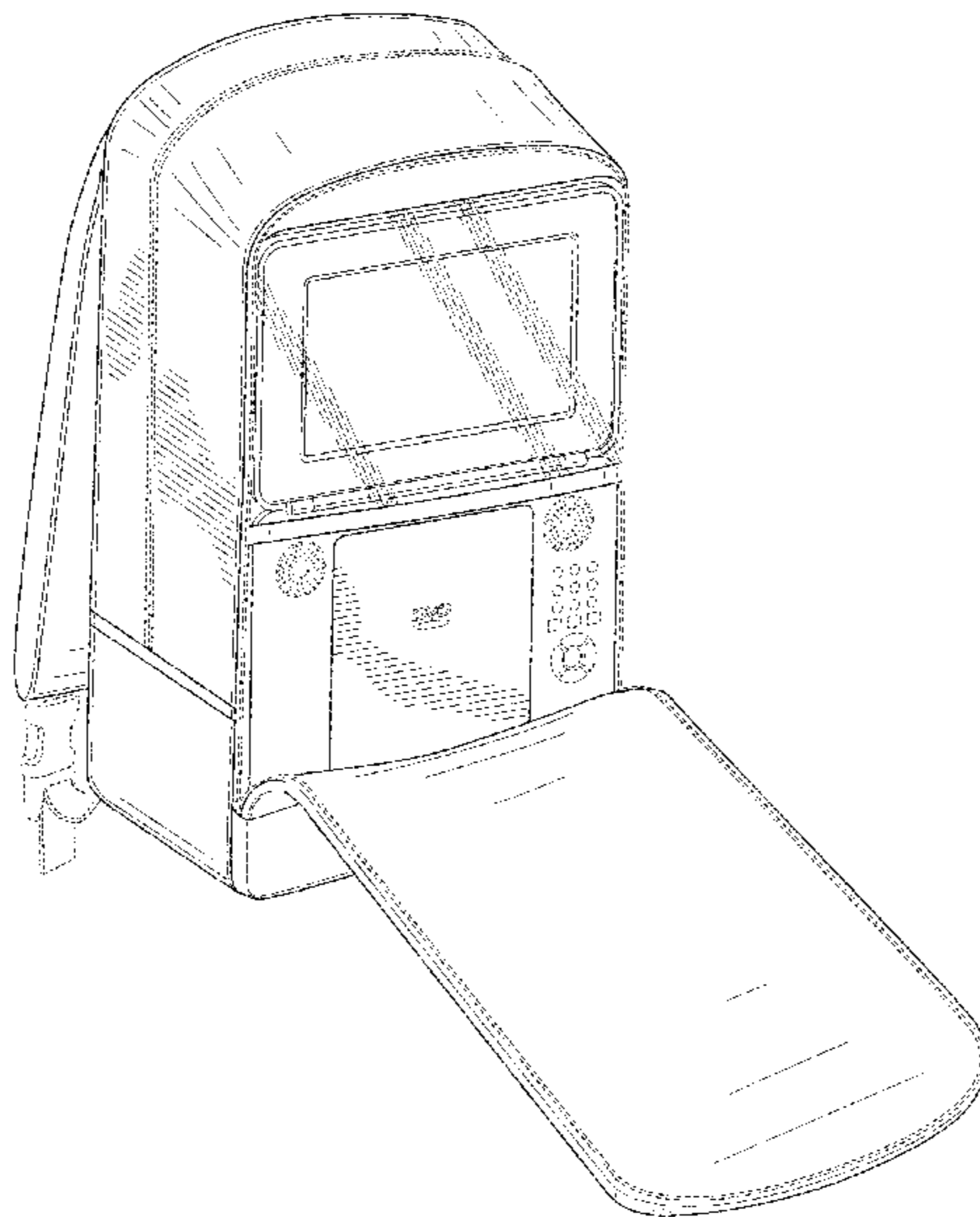
FIG. 5 is a left side view of an ornamental design for backpack with integrated DVD player and/or radio according to an embodiment of the subject matter described herein;

FIG. 6 is a top view of an ornamental design for backpack with integrated DVD player and/or radio according to an embodiment of the subject matter described herein; and,

FIG. 7 is a bottom view of an ornamental design for backpack with integrated DVD player and/or radio according to an embodiment of the subject matter described herein.

The broken line showing is for illustrative purposes only, and forms no part of the claimed design.

1 Claim, 7 Drawing Sheets



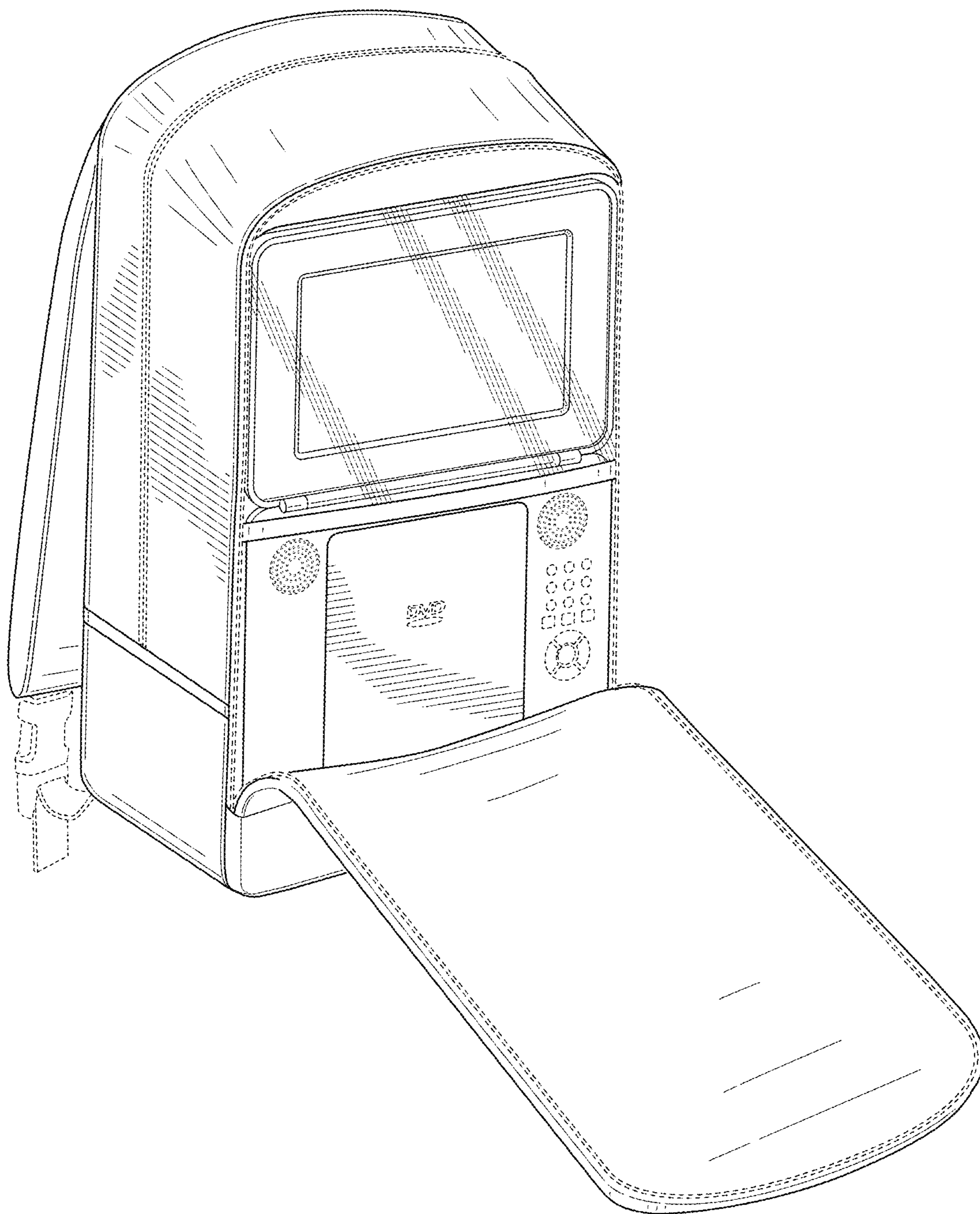


FIG. 1

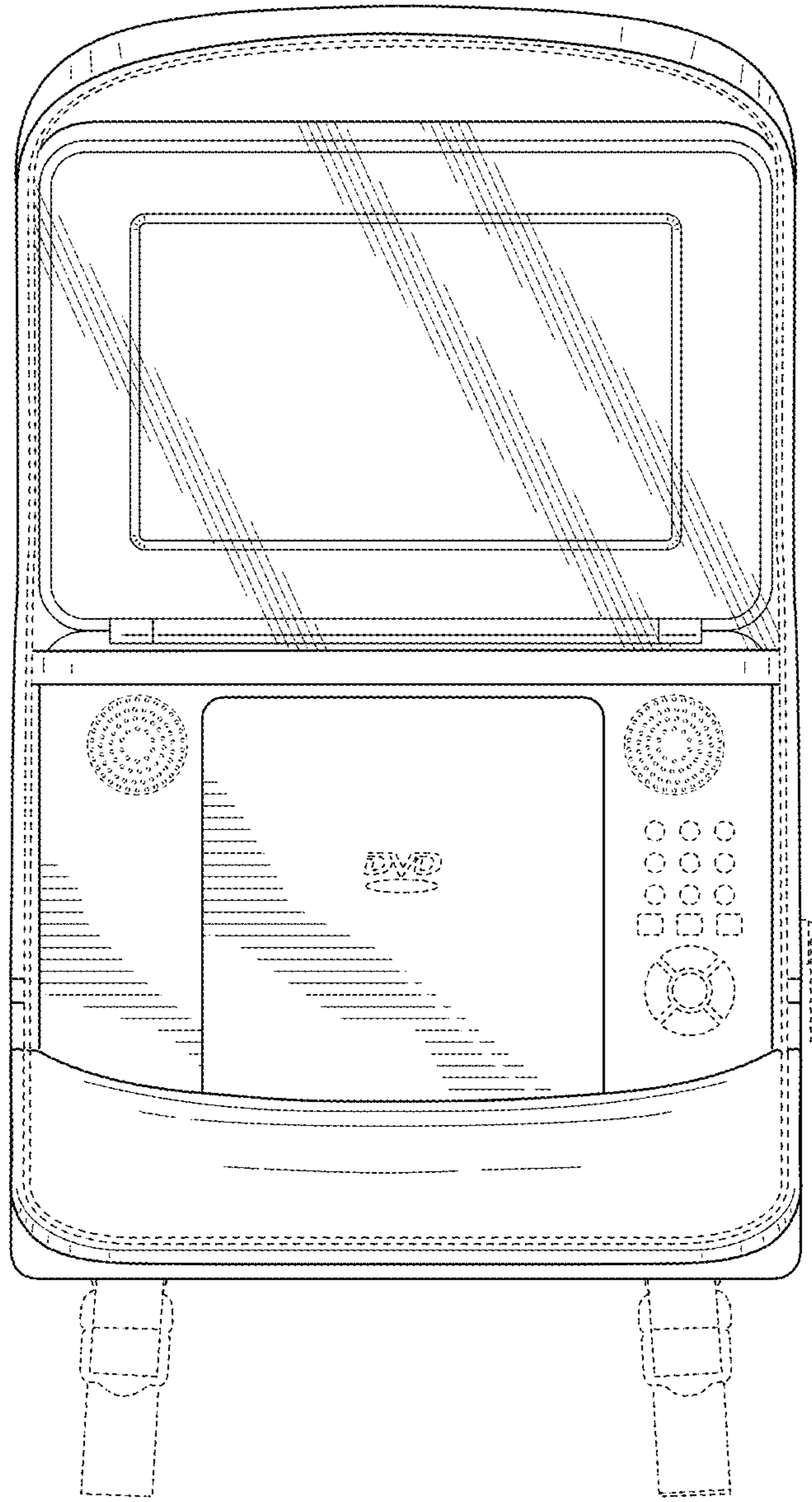


FIG. 2

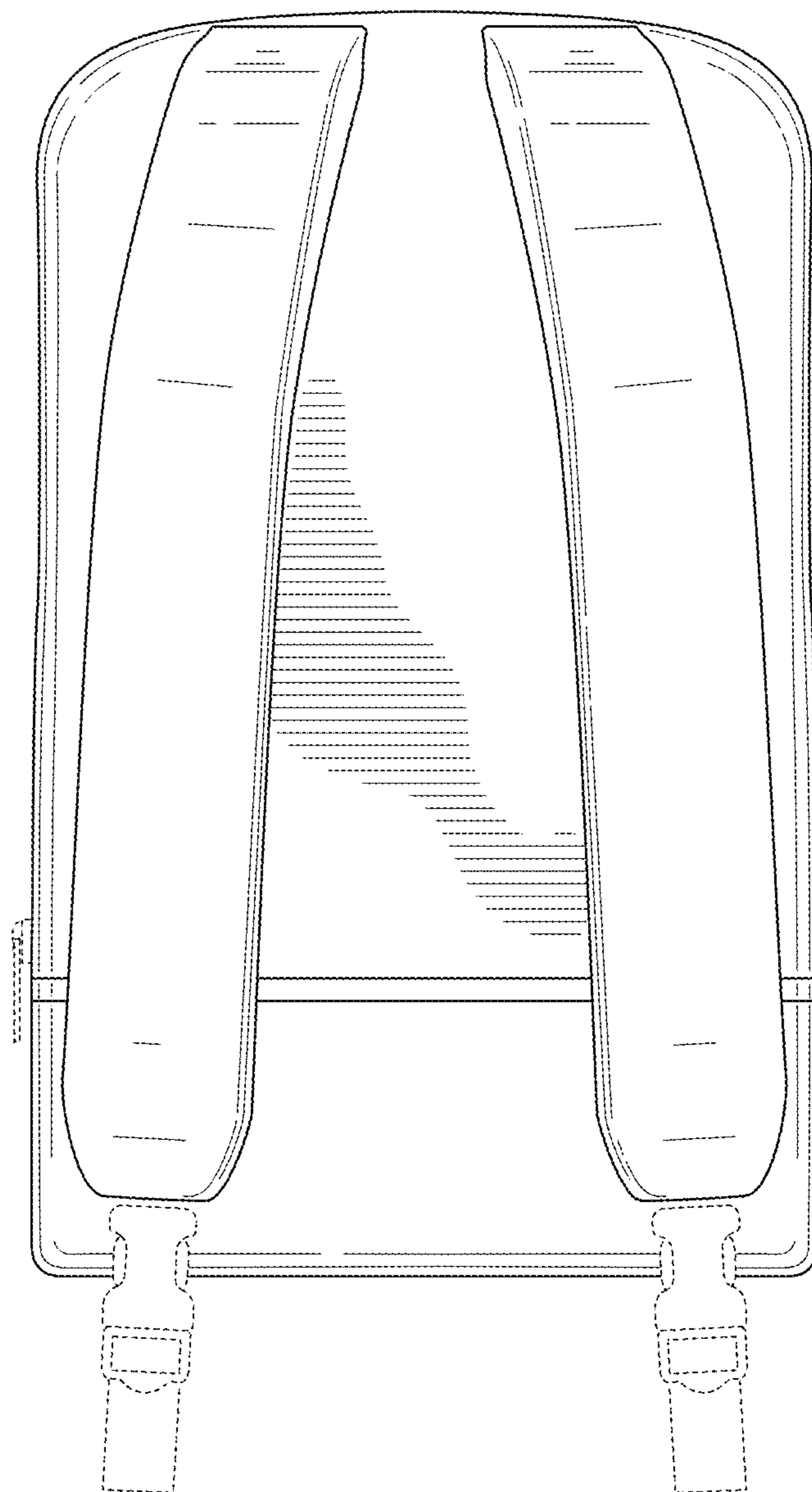


FIG. 3

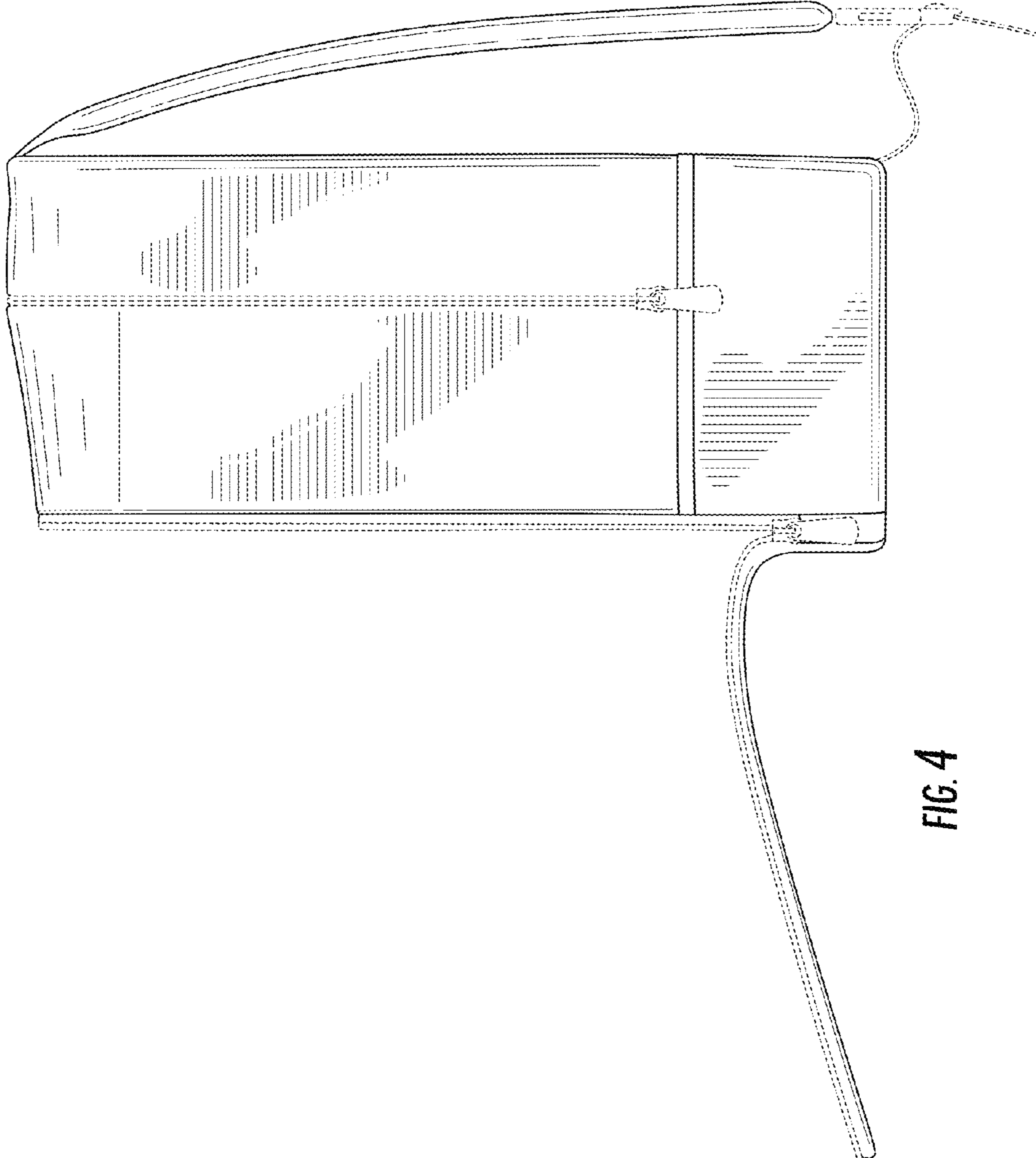


FIG. 4

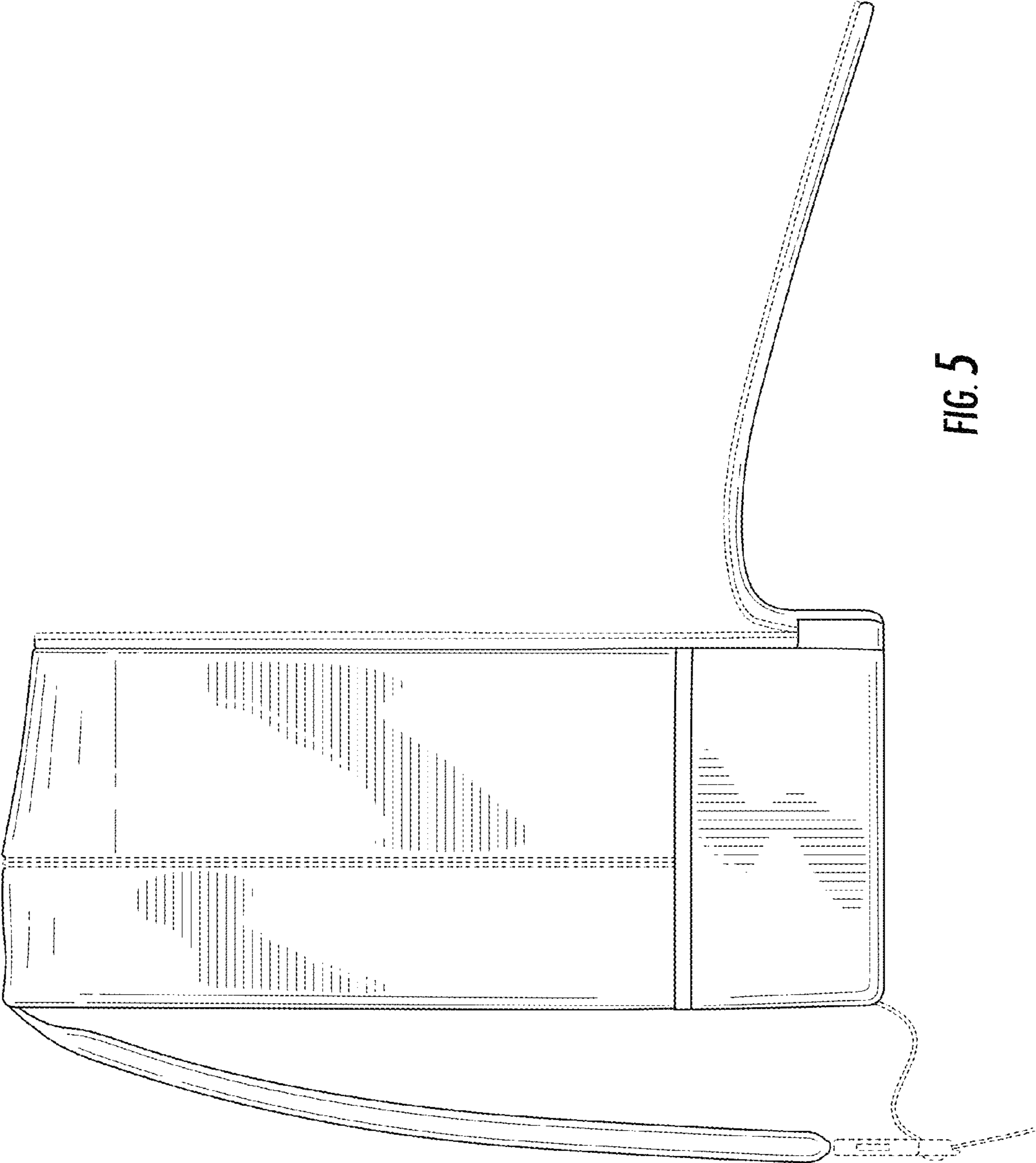


FIG. 5

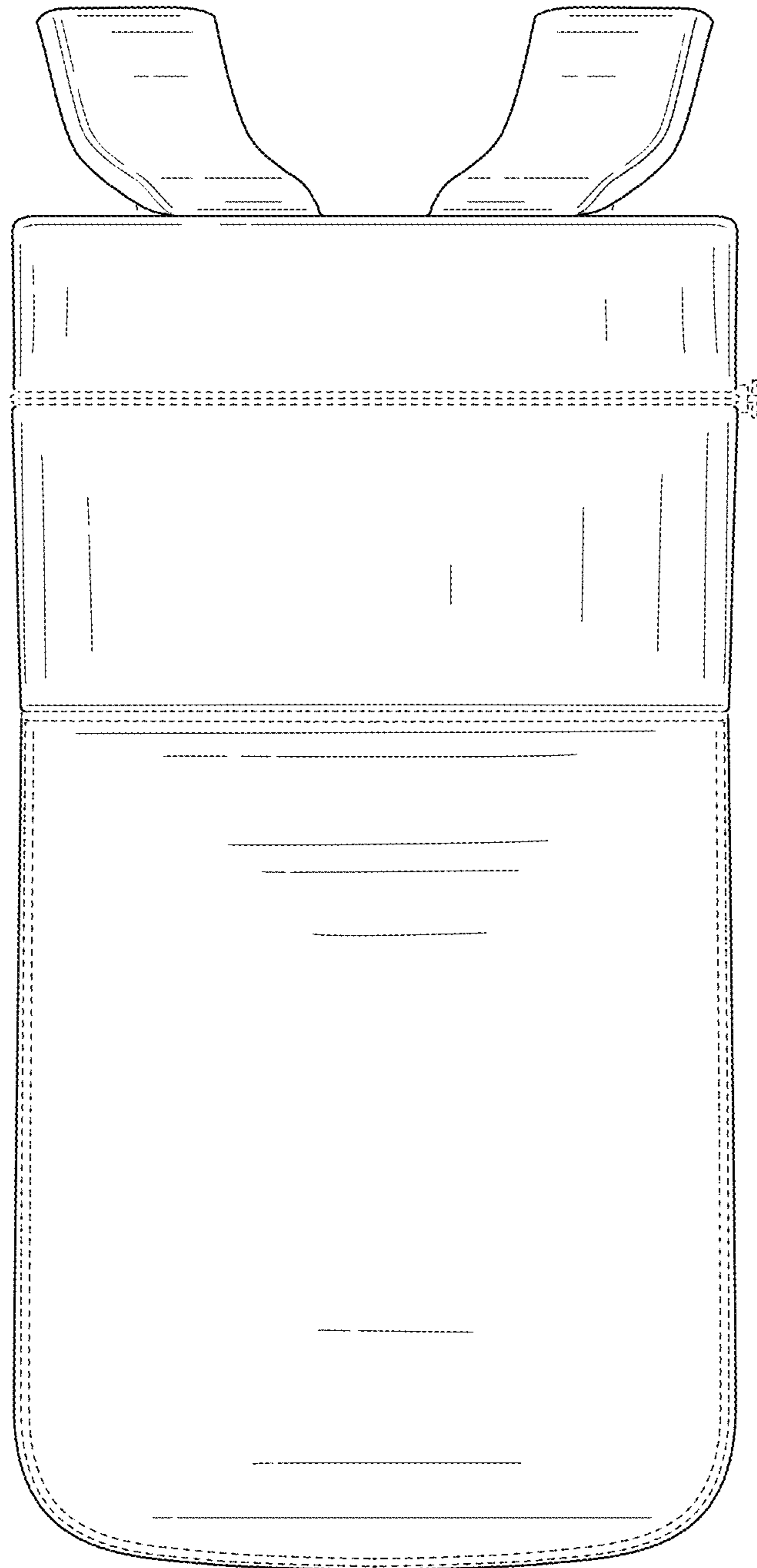


FIG. 6

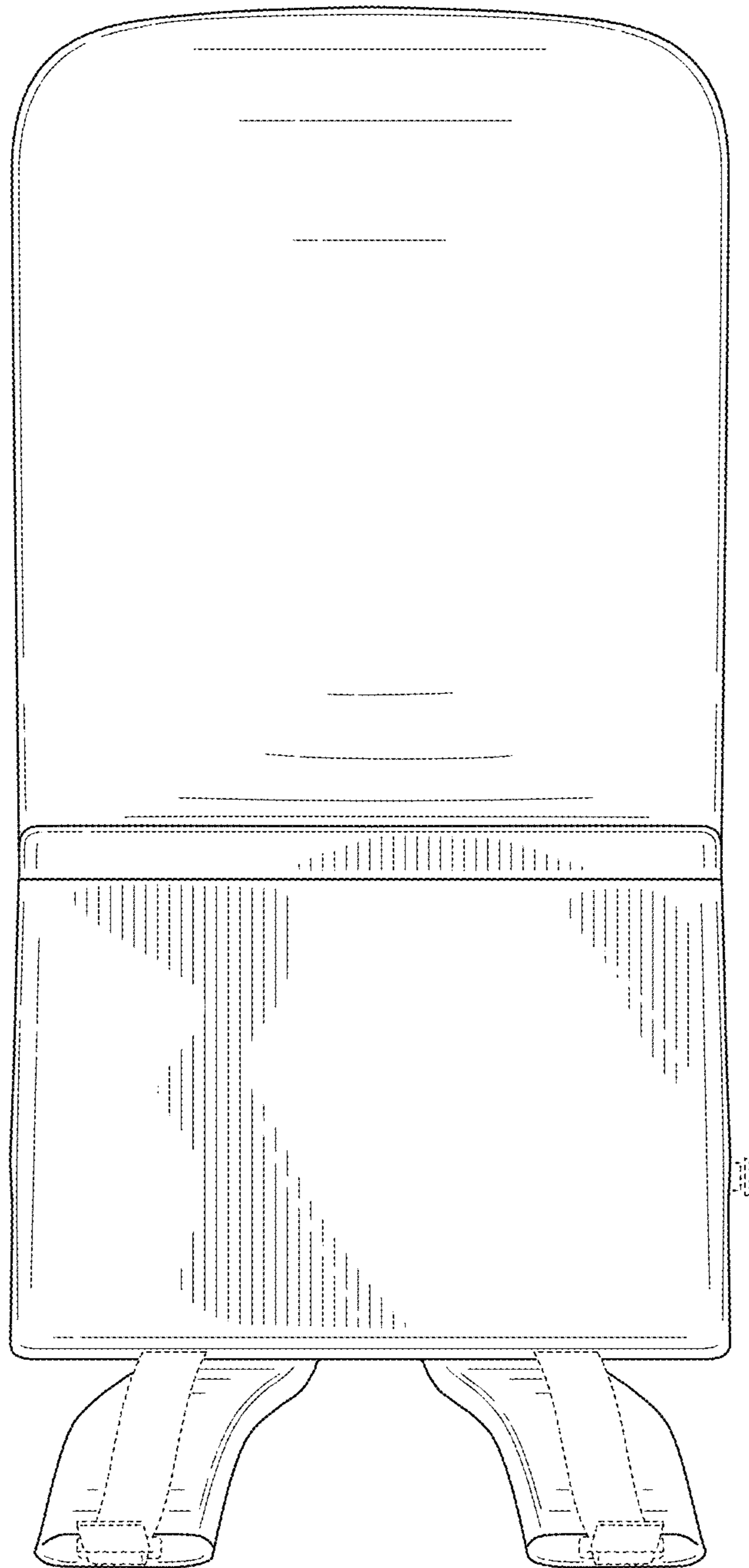


FIG. 7