



US00D732286S

(12) **United States Design Patent**
Romo

(10) **Patent No.:** **US D732,286 S**
(45) **Date of Patent:** **** Jun. 23, 2015**

(54) **STRAP EXTENSION ACCESSORY FOR SHOES**

D473,034 S * 4/2003 Styne D2/624
8,015,623 B2 9/2011 Lee et al.
8,701,311 B2 * 4/2014 Barnhart 36/136

(71) Applicant: **Sara Romo**, Rialto, CA (US)

* cited by examiner

(72) Inventor: **Sara Romo**, Rialto, CA (US)

Primary Examiner — Dominic Simone

(**) Term: **14 Years**

(74) *Attorney, Agent, or Firm* — Kirk A. Buhler; Buhler & Associates

(21) Appl. No.: **29/465,887**

(57) **CLAIM**

(22) Filed: **Sep. 3, 2013**

The ornamental design for a strap extension accessory for shoes, as shown and described.

(51) **LOC (10) Cl.** **02-99**

DESCRIPTION

(52) **U.S. Cl.**

USPC **D2/978**; D2/946; D2/976

(58) **Field of Classification Search**

USPC D2/624, 627, 631, 639, 946, 976, 978
CPC A43B 23/24; A44B 11/00
See application file for complete search history.

(56) **References Cited**

U.S. PATENT DOCUMENTS

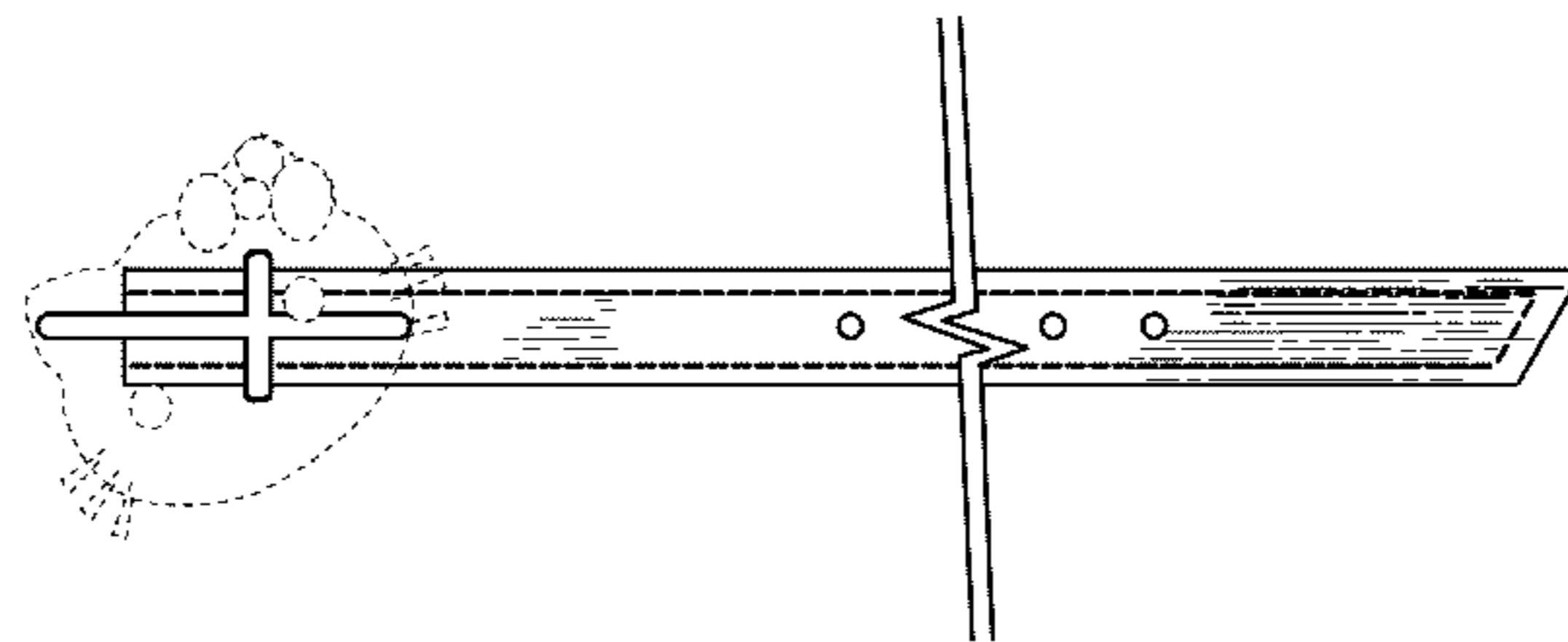
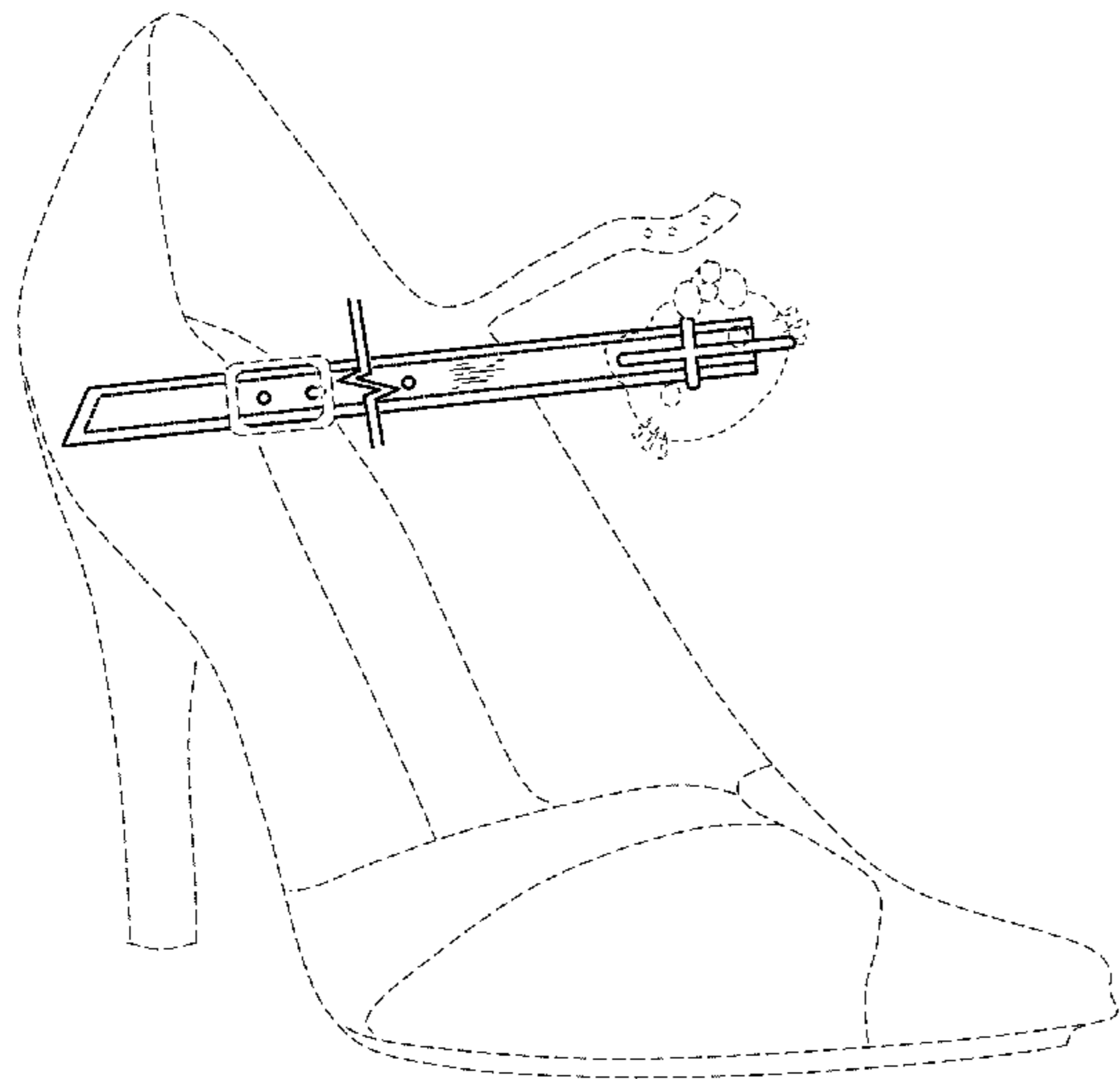
849,516	A *	4/1907	Van Cleve	36/50.1
5,248,187	A	9/1993	Harrison		
D352,591	S	11/1994	Laney		
D353,932	S	1/1995	New		
D393,337	S *	4/1998	Seki	D2/624
5,979,085	A *	11/1999	Ross et al.	36/136
6,343,841	B1	2/2002	Gregg et al.		
6,412,197	B1 *	7/2002	Krull	36/136

FIG. 1 is a front perspective view for a strap extension accessory for shoes showing my new design;
FIG. 2 is a back side view thereof;
FIG. 3 is a bottom side view thereof;
FIG. 4 is a top side view thereof;
FIG. 5 is a left side view thereof;
FIG. 6 is a right side view thereof; and,
FIG. 7 is a top side view thereof.

The broken lines in FIGS. 1-7 depict environmental subject matter of decoration and / or hooks and / or a shoe for the invention and form no part of the claimed design.

The claimed design is shown broken away to indicate that no particular length of the strap forms a part of the claimed design.

1 Claim, 3 Drawing Sheets



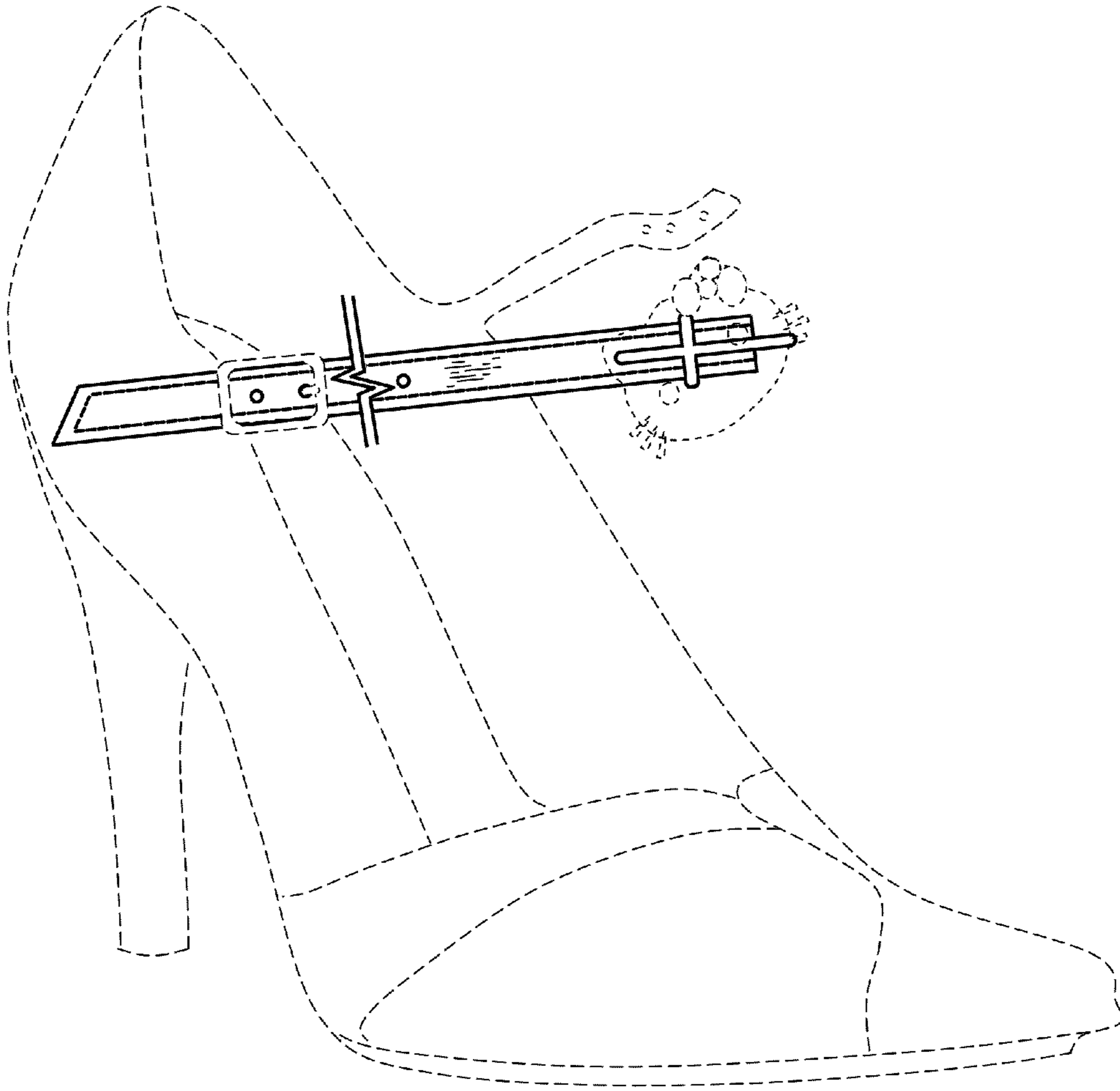
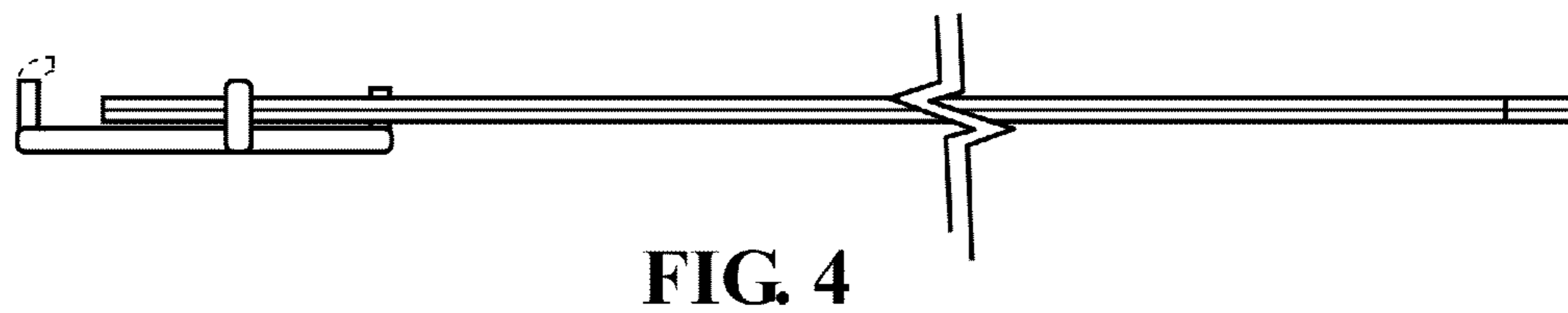
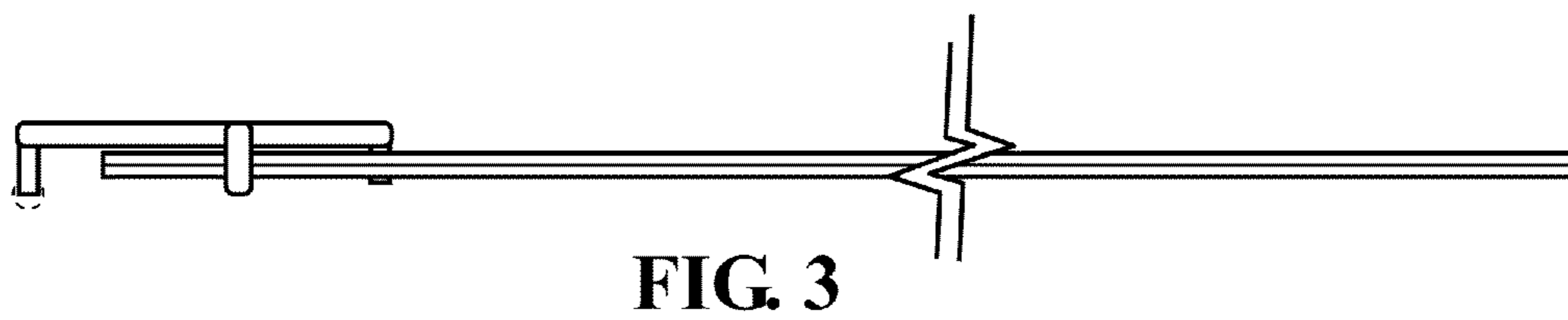
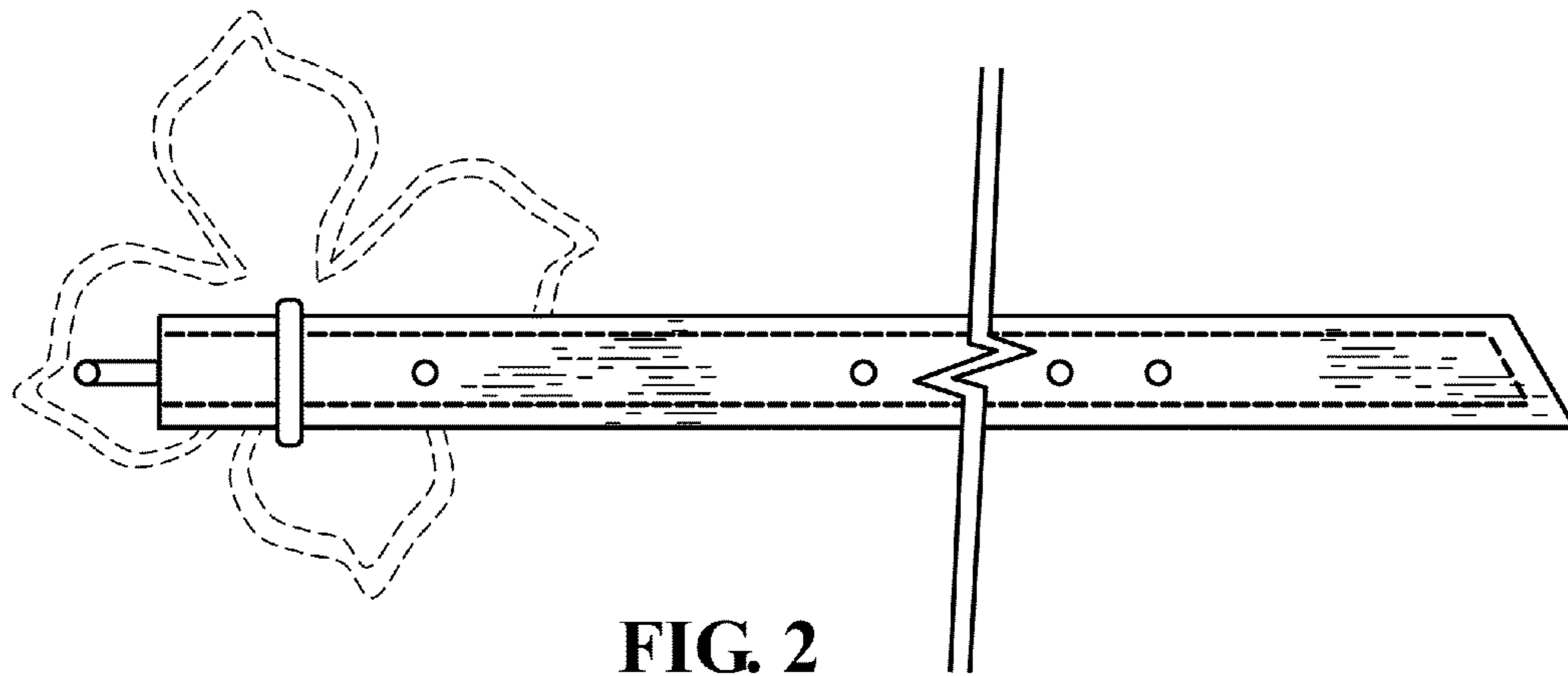


FIG. 1



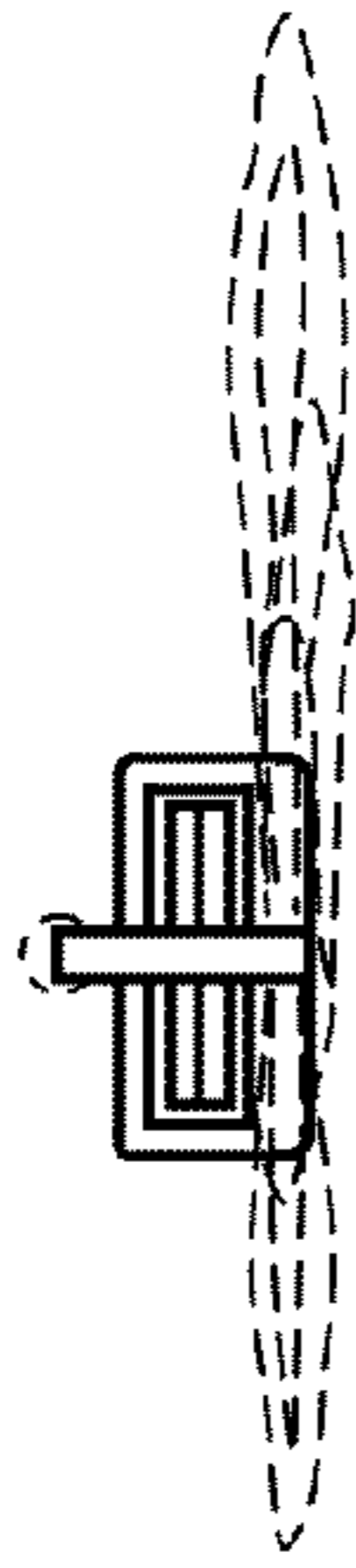


FIG. 5

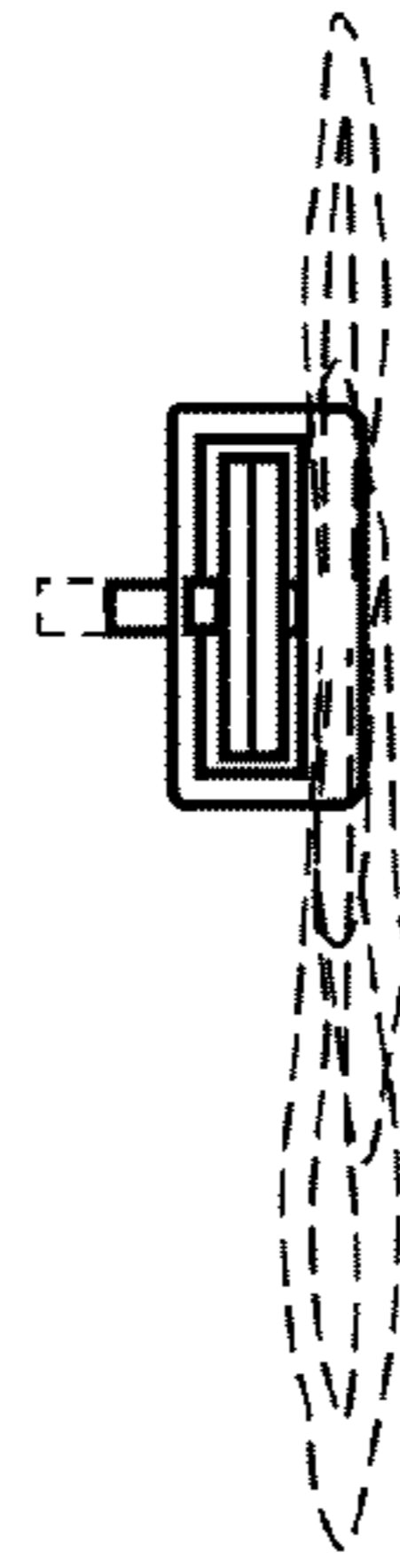


FIG. 6

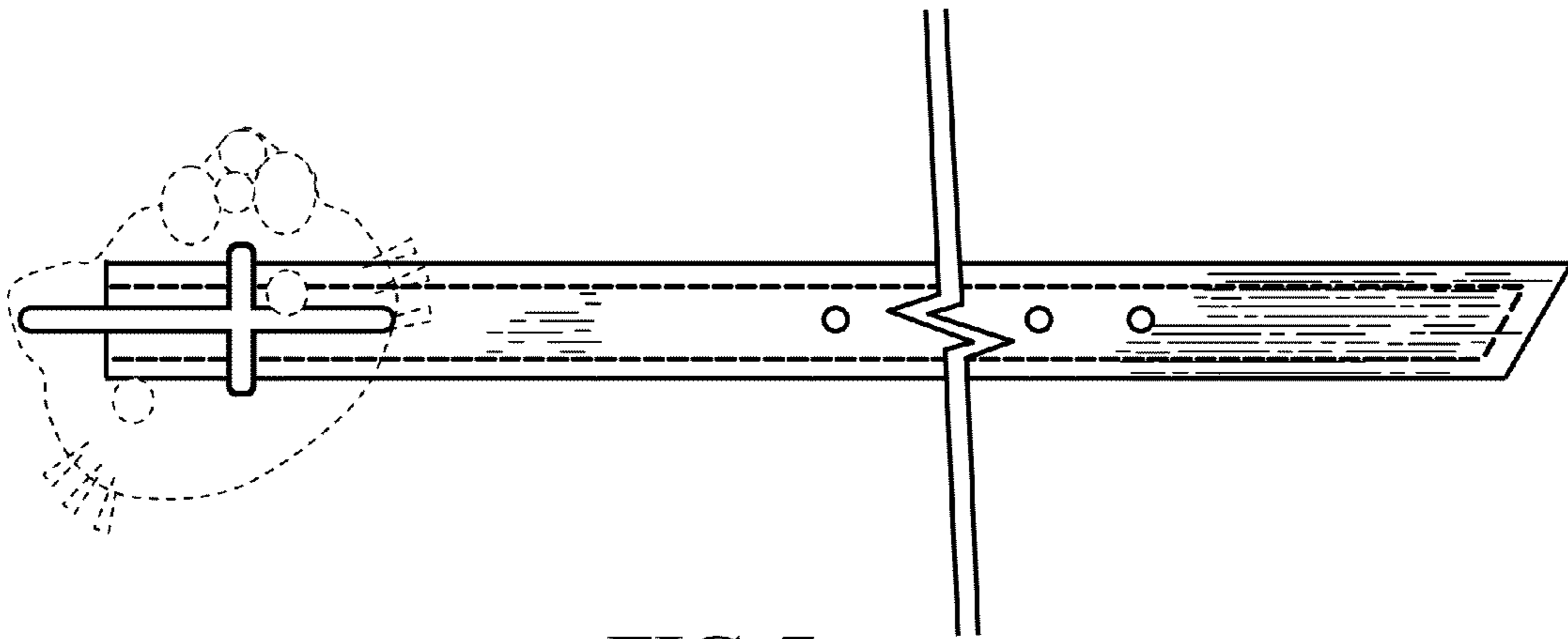


FIG. 7