



US00D732281S

(12) **United States Design Patent**
Morris Thill

(10) **Patent No.:** **US D732,281 S**
(45) **Date of Patent:** **** Jun. 23, 2015**

(54) **SHOE WITH INTERCHANGEABLE HEEL**

(71) Applicant: **Kimberly Morris Thill**, Kent, WA (US)

(72) Inventor: **Kimberly Morris Thill**, Kent, WA (US)

(**) Term: **14 Years**

(21) Appl. No.: **29/449,993**

(22) Filed: **Mar. 15, 2013**

(51) **LOC (10) Cl.** **02-04**

(52) **U.S. Cl.**
USPC **D2/946**

(58) **Field of Classification Search**
USPC D2/918, 925–942, 946, 964–966;
36/34 R–35 A, 105
See application file for complete search history.

(56) **References Cited**

U.S. PATENT DOCUMENTS

368,676	A	8/1887	Marquette	
1,148,363	A	7/1915	Doody	
1,156,769	A *	10/1915	Fortin	36/36 R
1,557,564	A *	10/1925	Daquino	36/36 R
1,631,710	A *	6/1927	Tranides	36/36 R
1,790,332	A *	1/1931	Tager	36/36 R
1,829,252	A	10/1931	Zubia	
1,994,508	A	3/1935	Filippelli	
2,137,816	A	11/1938	Sullivan	
2,431,868	A	12/1947	Gilmour	
2,439,310	A *	4/1948	Mancuso	36/42
2,497,175	A	2/1950	Mantos	
2,556,842	A	6/1951	Gilmour	
2,582,551	A	1/1952	Malherbe	
2,795,867	A	6/1957	Zuckerman	
3,041,747	A	7/1962	Pfeil	

(Continued)

OTHER PUBLICATIONS

<http://getsomehairapy.wordpress.com/2008/05/05/convertible-heel-shoes-geardiary/> Convertible heel shoes—Gear Diary, May 5, 2008, Camileon Heels: Exercising a Woman’s Perogative to Change Her Mind (1 page).

(Continued)

Primary Examiner — Derrick Holland

Assistant Examiner — Janice Lim

(74) *Attorney, Agent, or Firm* — R. Reams Goodloe, Jr.

(57) **CLAIM**

An ornamental design for a shoe with interchangeable heel, substantially as shown and described.

DESCRIPTION

FIG. 1 is a rear perspective view of a shoe with interchangeable heel, showing my new design.

FIG. 2 is a rear elevation view thereof.

FIG. 3 is a right side elevation view thereof.

FIG. 4 is a left side elevation view thereof.

FIG. 5 is a top plan view thereof.

FIG. 6 is a bottom plan view thereof.

FIG. 7 is a rear perspective view thereof, showing the heel portion in detached condition.

FIG. 8 is a top perspective view thereof.

FIG. 9 is a top front perspective view thereof.

FIG. 10 is a rear elevation view thereof.

FIG. 11 is a right side elevation view thereof.

FIG. 12 is a left side elevation view thereof.

FIG. 13 is a top plan view thereof.

FIG. 14 is a bottom plan view thereof.

FIG. 15 is rear perspective view thereof, showing the shoe in detached condition.

FIG. 16 is a rear elevation view thereof.

FIG. 17 is a right side elevation view thereof.

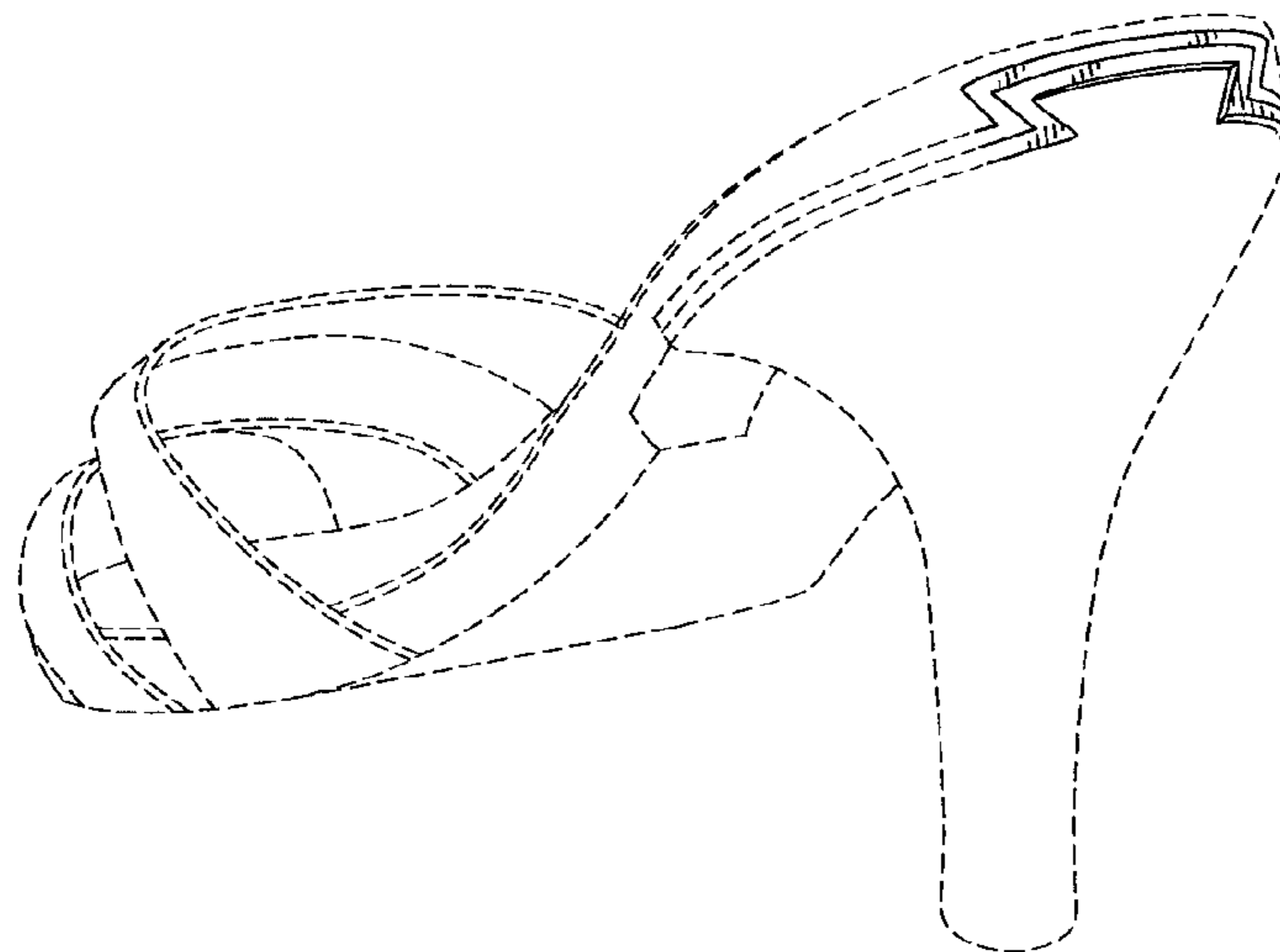
FIG. 18 is a left side elevation view thereof.

FIG. 19 is a top plan view thereof; and,

FIG. 20 is a bottom plan view thereof.

The broken line portions of FIGS. 1-20 are included to show unclaimed subject matter only and form no part of the claimed design.

1 Claim, 11 Drawing Sheets



(56)

References Cited

U.S. PATENT DOCUMENTS

3,159,928 A 12/1964 Clark
4,363,177 A 12/1982 Boros
4,610,100 A 9/1986 Rhodes
5,025,574 A 6/1991 Lasher, III
5,058,290 A * 10/1991 Koehl et al. 36/42
5,456,026 A 10/1995 Lewis
5,675,916 A 10/1997 Lewis
5,692,322 A 12/1997 Lombardino
5,782,015 A 7/1998 Dananberg
5,953,836 A 9/1999 Watt et al.
6,718,658 B2 4/2004 Karasawa
6,785,987 B2 9/2004 Bucalo et al.
7,059,068 B2 6/2006 Magallanes et al.
7,185,448 B2 3/2007 Schupbach
7,210,251 B1 5/2007 Rolle

7,272,899 B1 9/2007 Marak
7,578,075 B1 8/2009 Kemp
7,827,707 B2 11/2010 Davis
D633,288 S * 3/2011 Shin D2/965
8,046,936 B1 11/2011 Simon
8,112,908 B2 2/2012 Visser
8,201,347 B2 6/2012 Garza
2003/0154629 A1 8/2003 Goodloe
2007/0011909 A1 1/2007 Palmeri, III
2007/0234595 A1 10/2007 Davis

OTHER PUBLICATIONS

<http://www.geardiary.com/2008/04/30/camileon-heels-exercising-a-womans-perogative-to-change-her-mind/> Posted on Apr. 30, 2008 by Judie Lipsett Stanford (6 pages).

* cited by examiner

FIG. 1

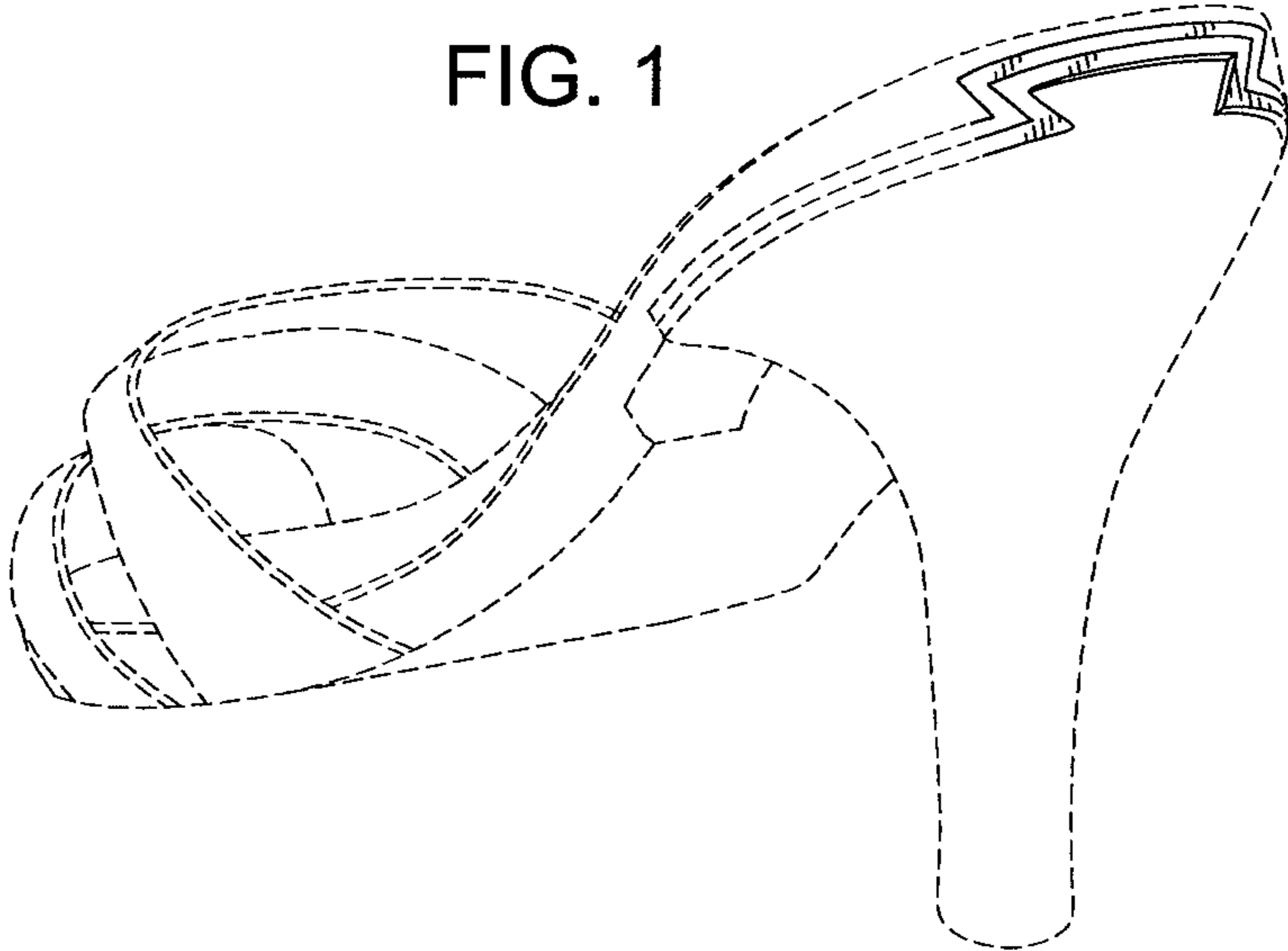


FIG. 2

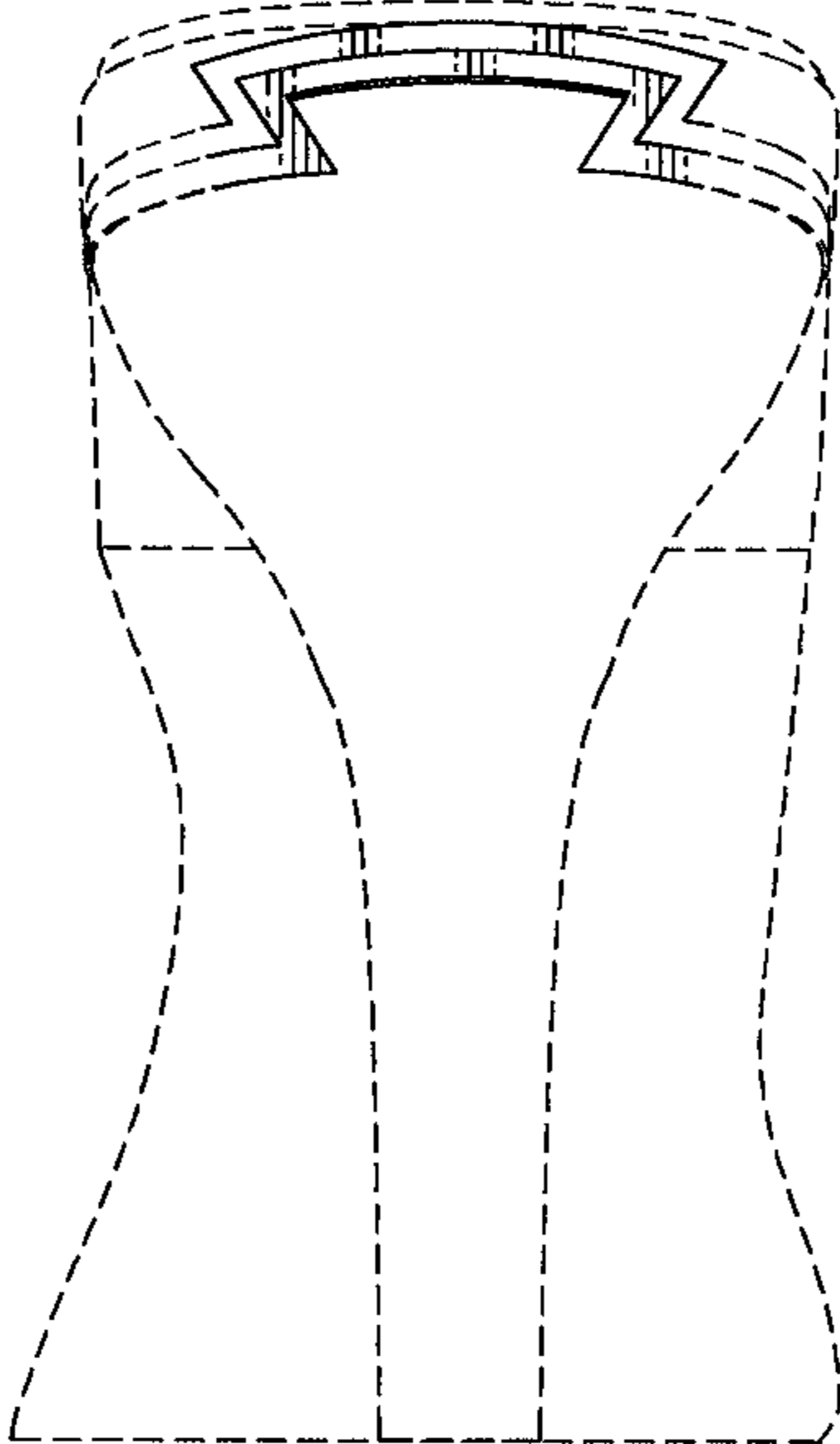


FIG. 3

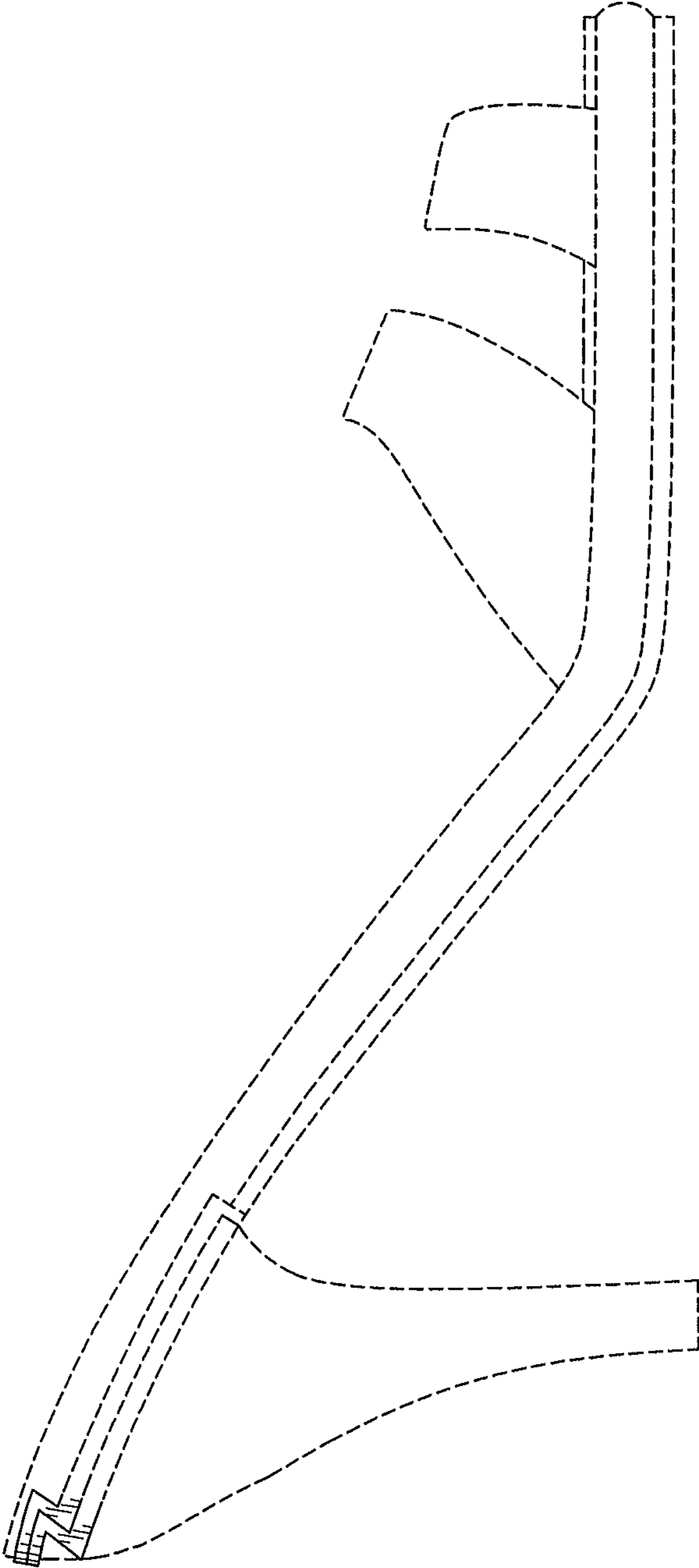


FIG. 4

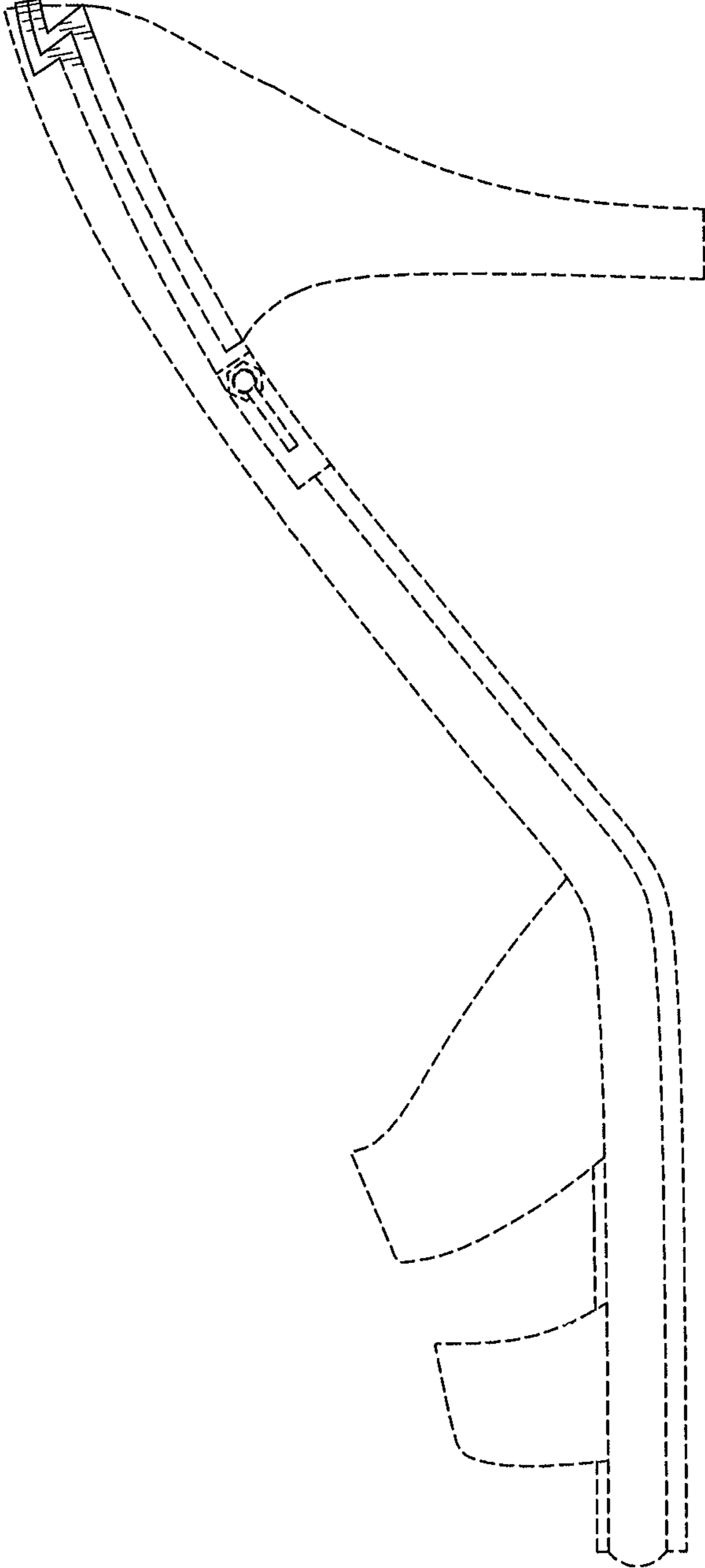


FIG. 5

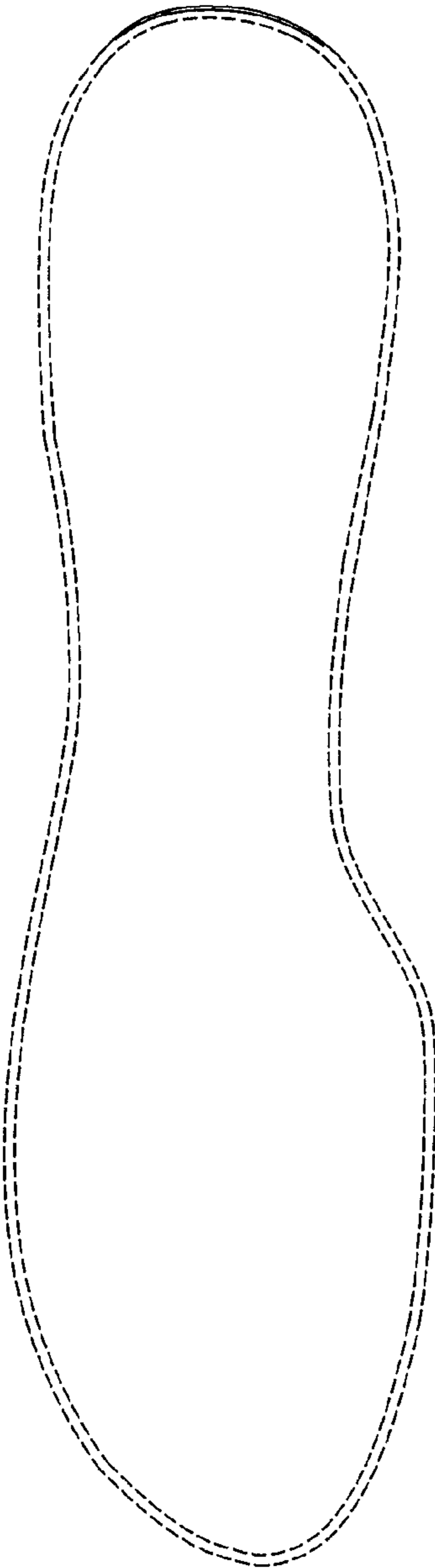


FIG. 6

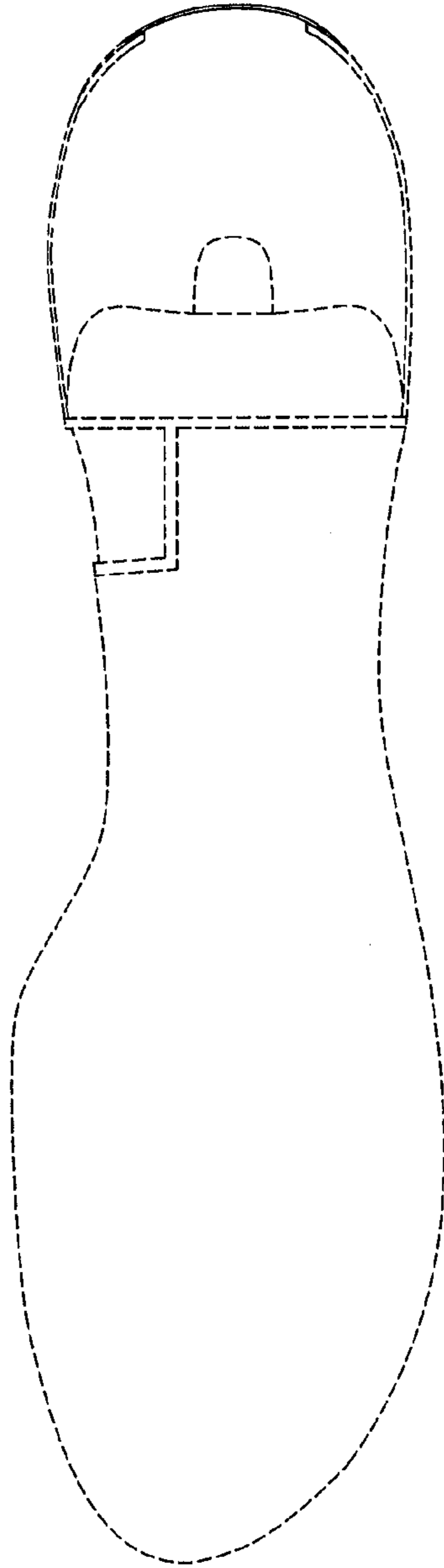


FIG. 7

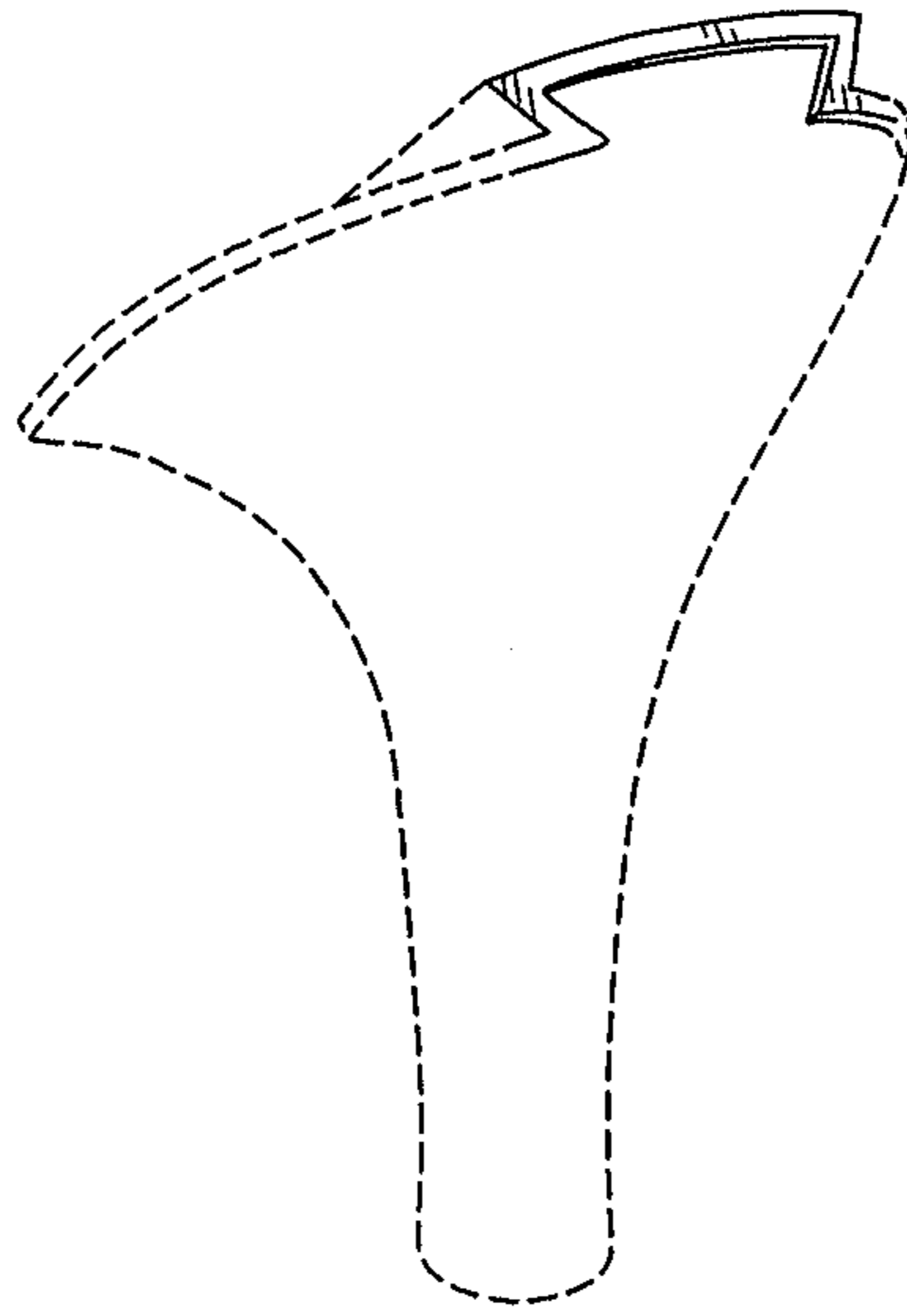


FIG. 8

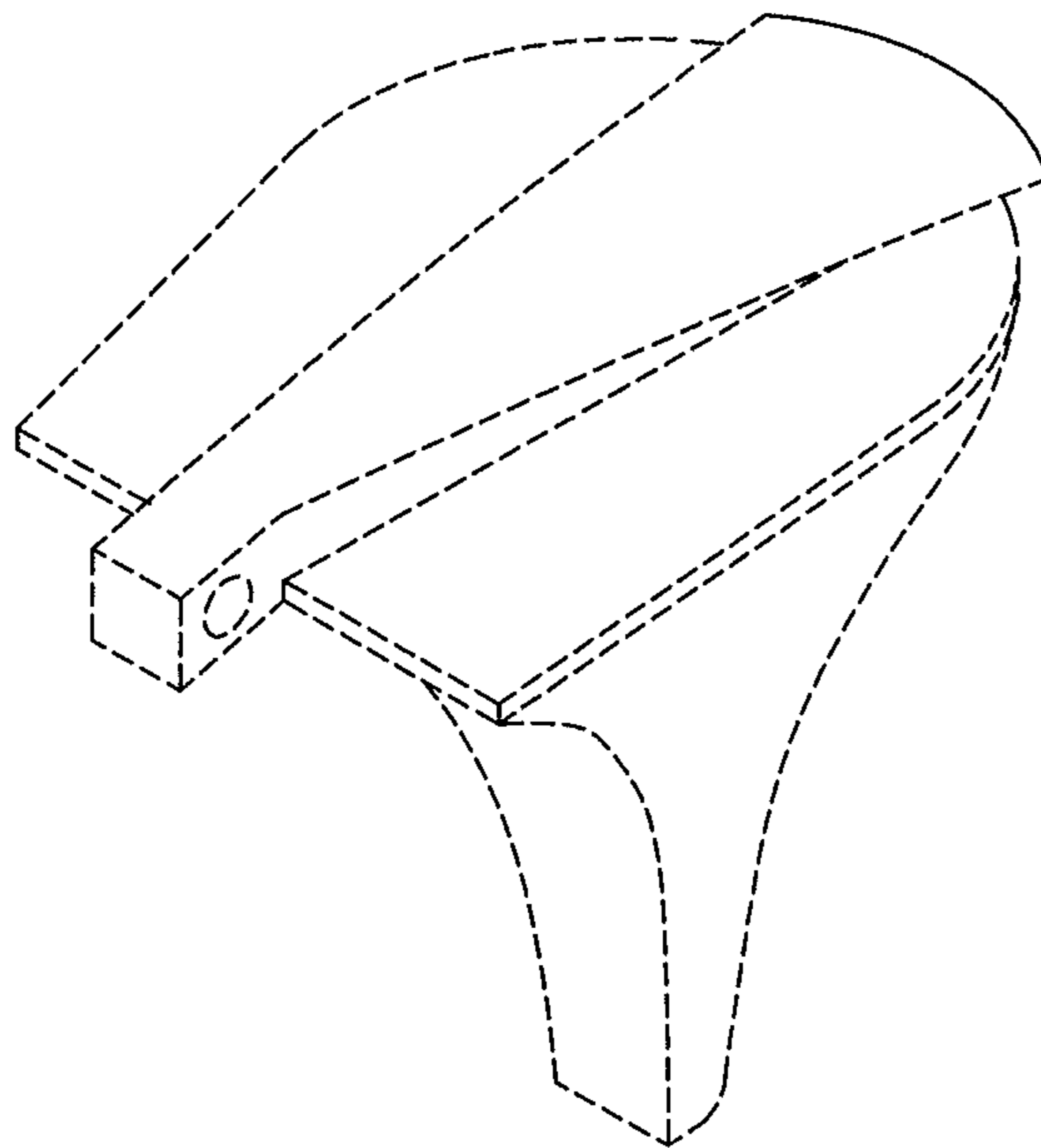


FIG. 9

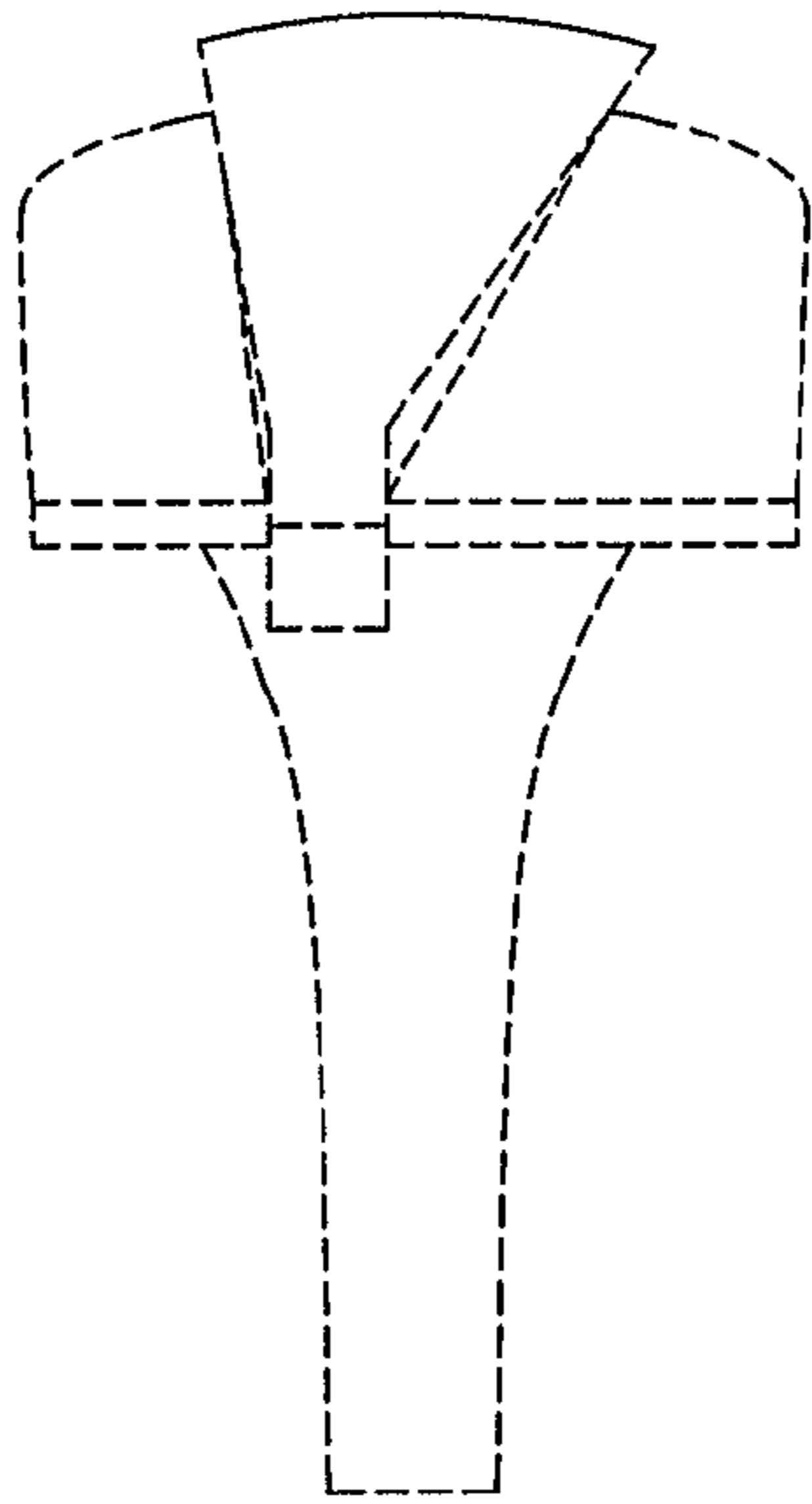


FIG. 10

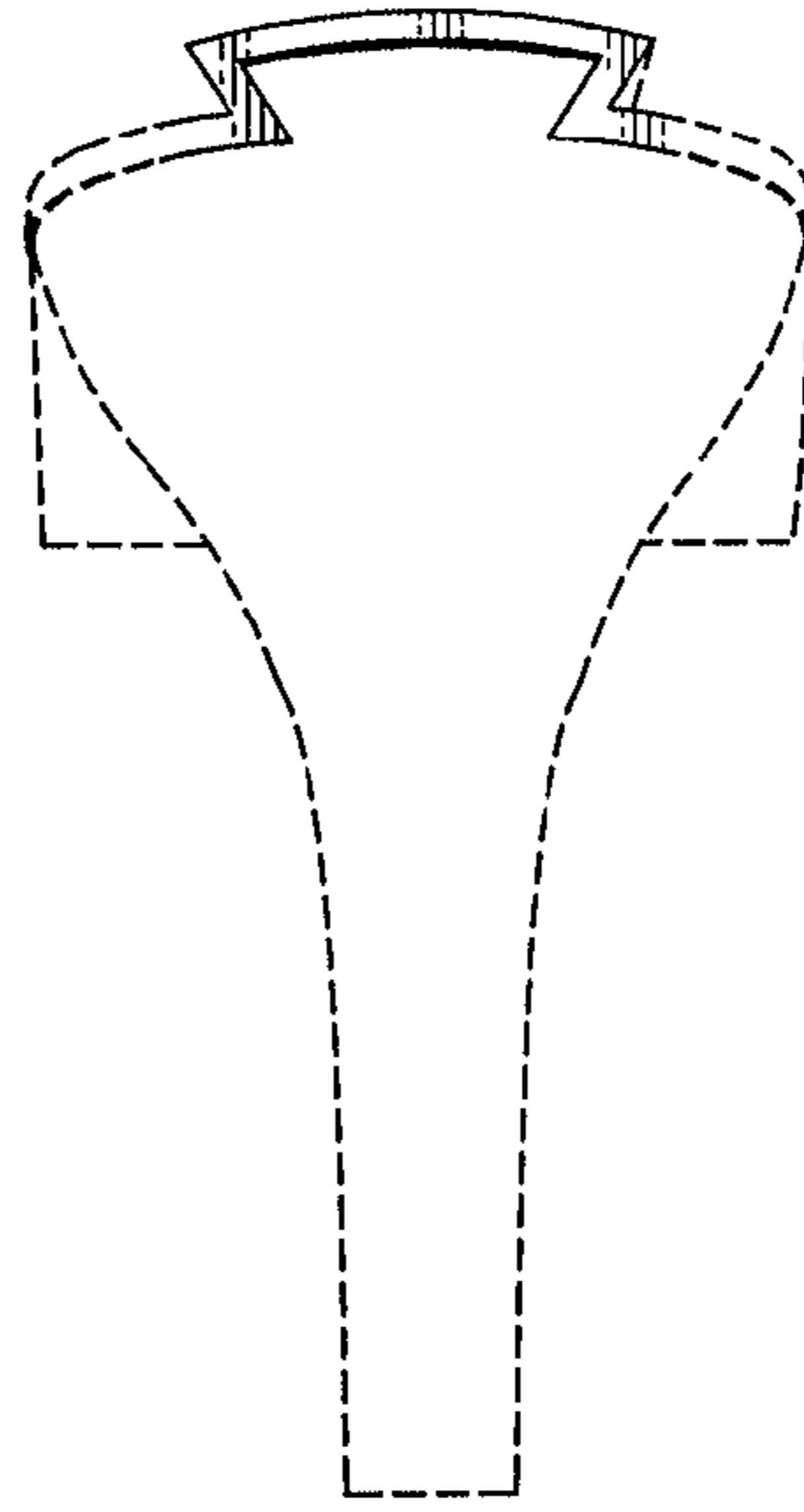


FIG. 11

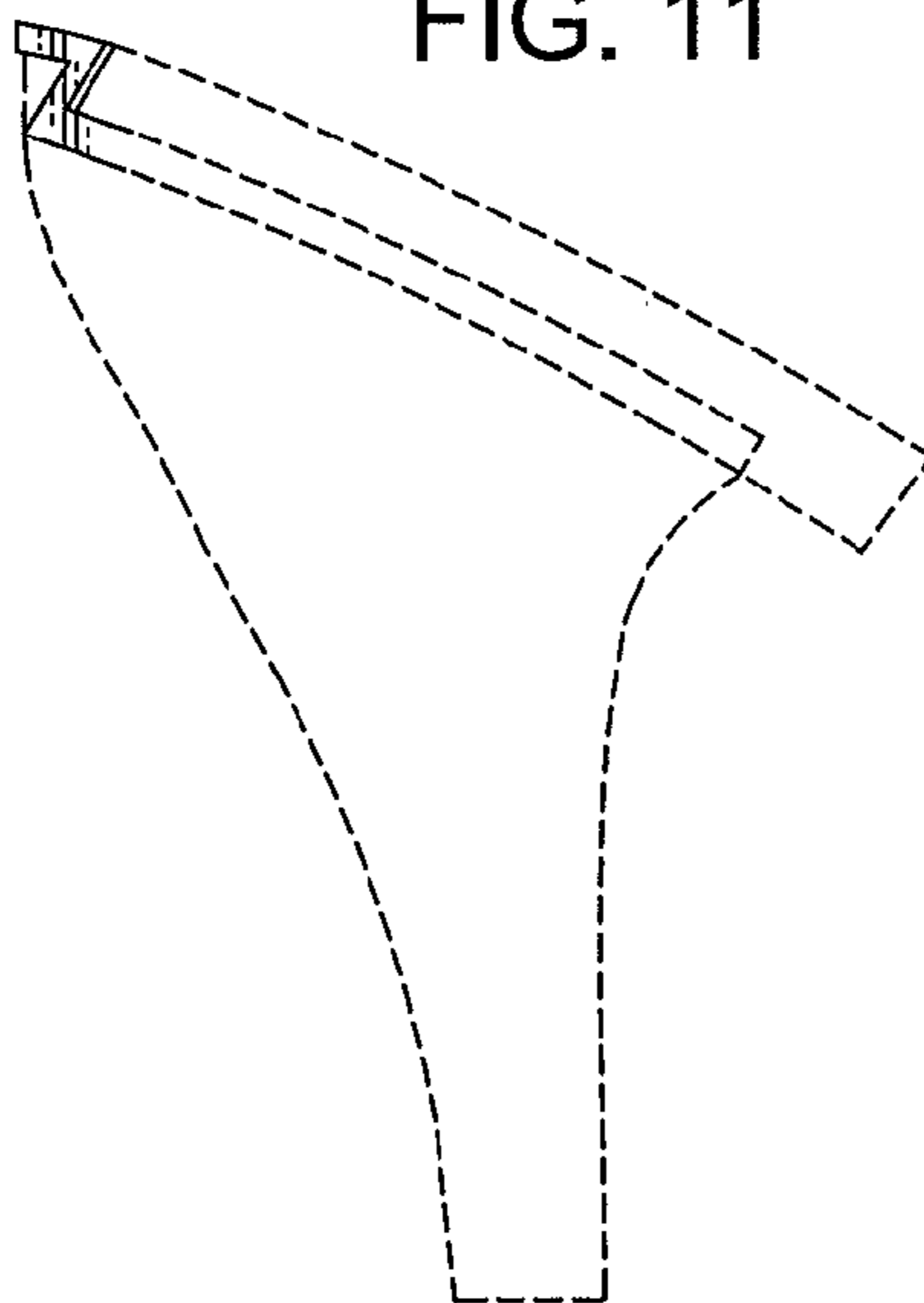


FIG. 12

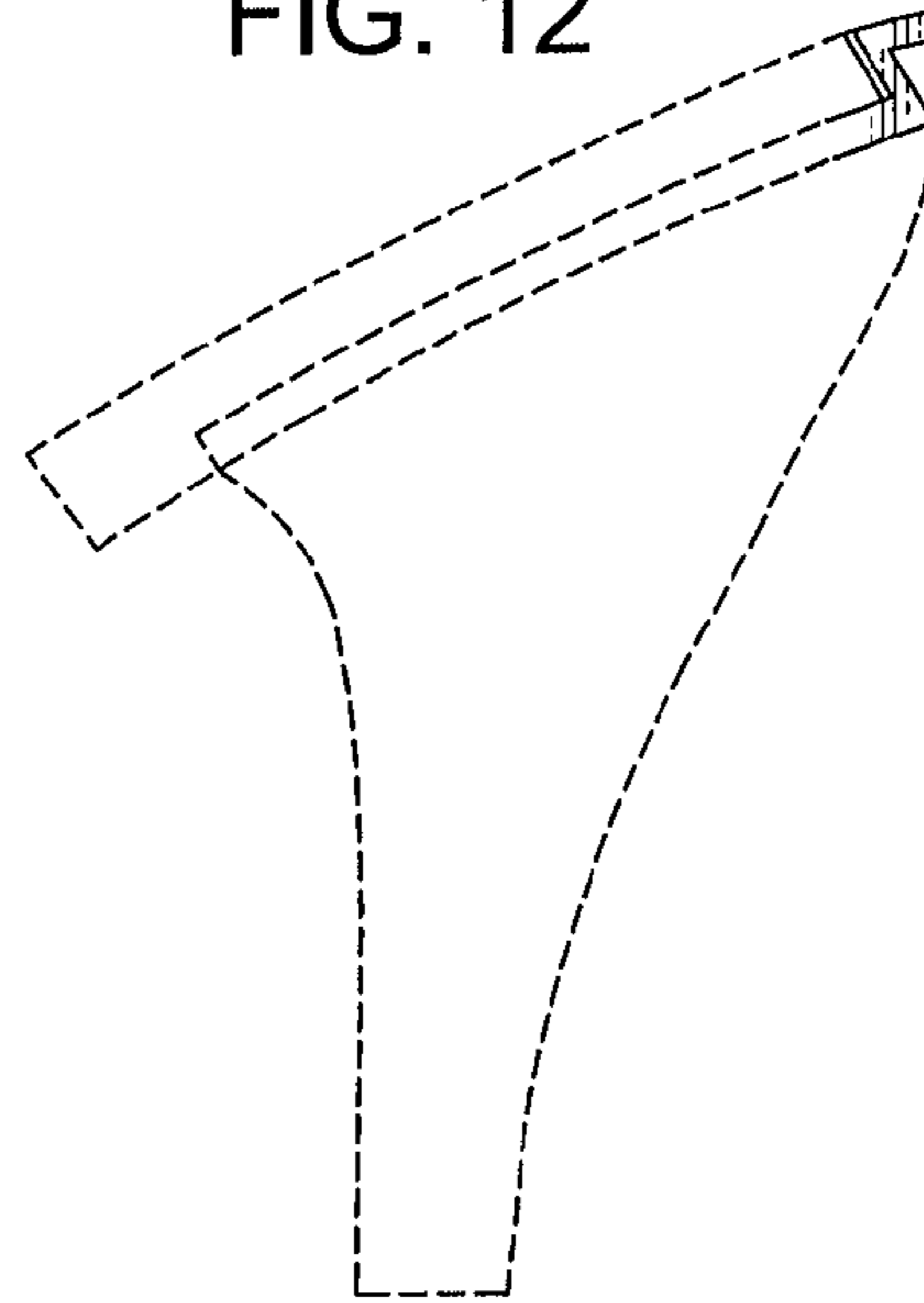


FIG. 13

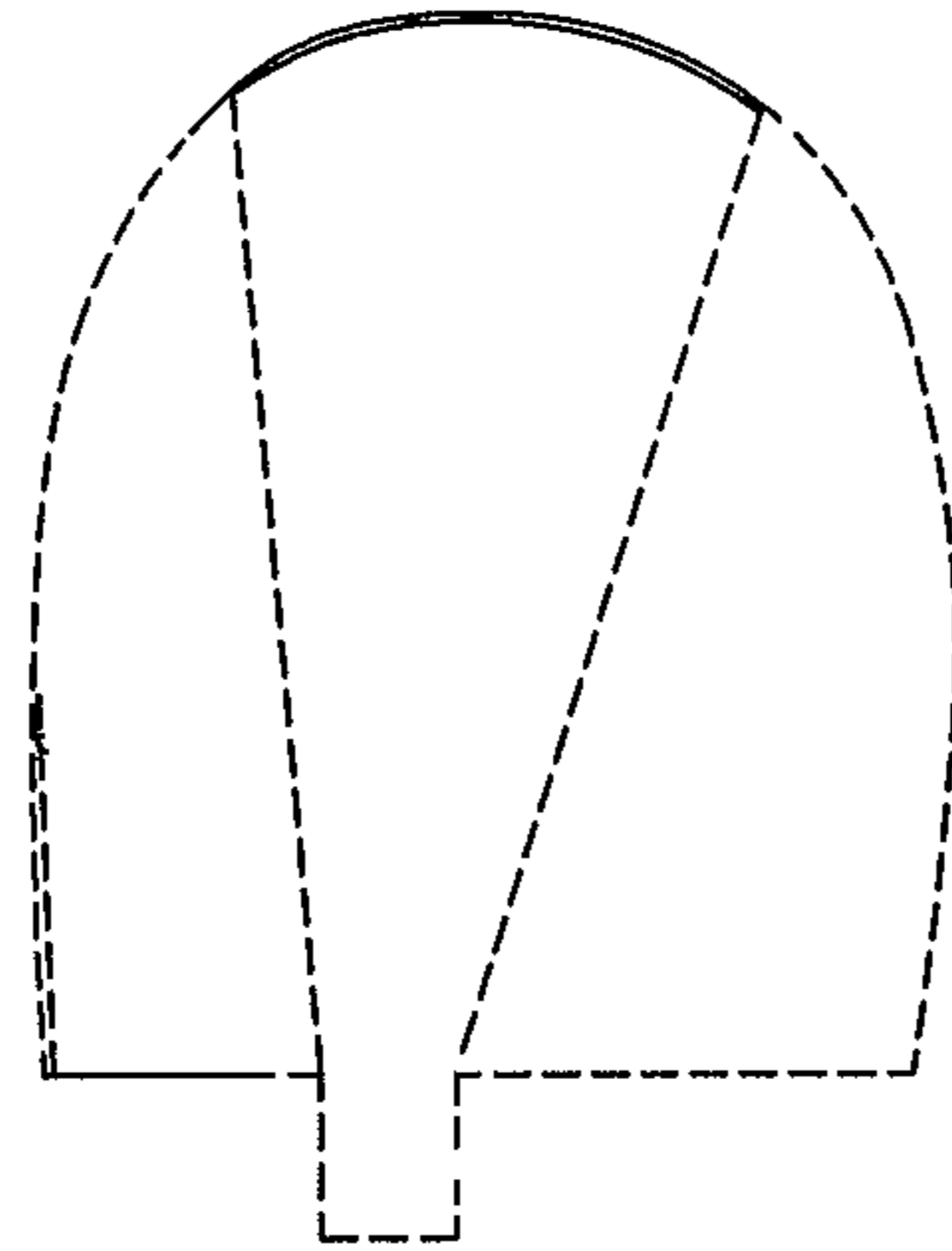


FIG. 14

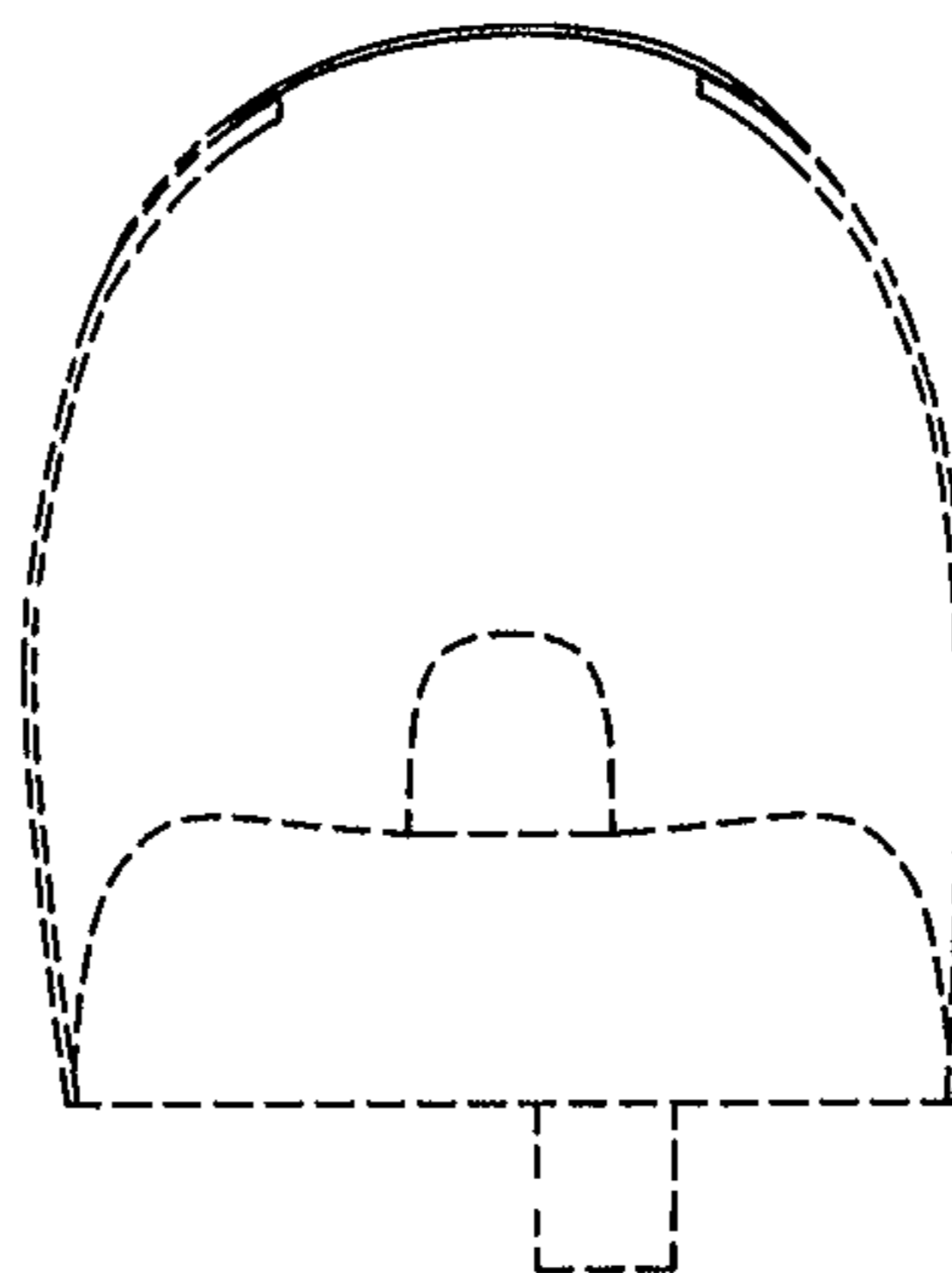


FIG. 15

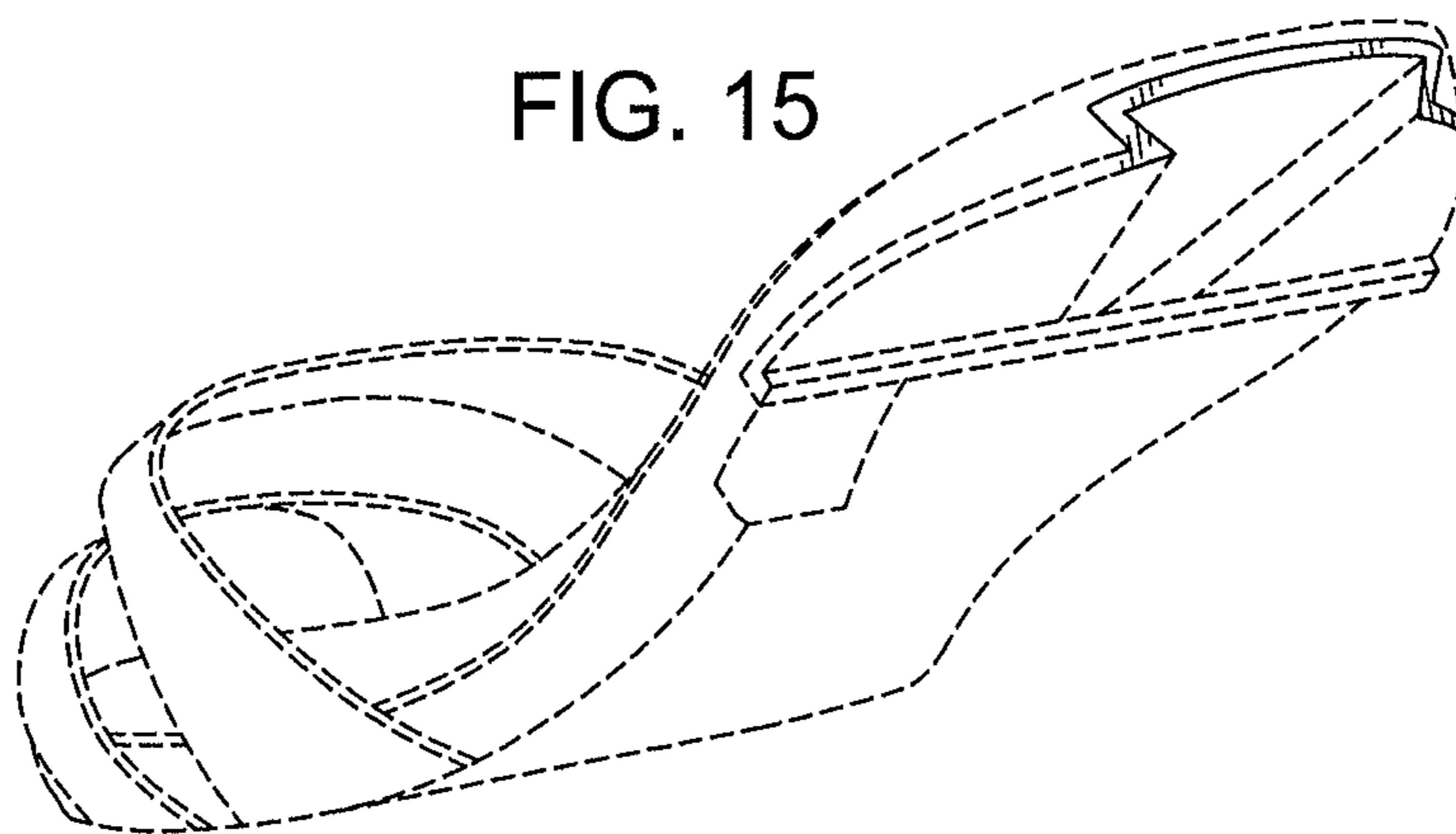


FIG. 16

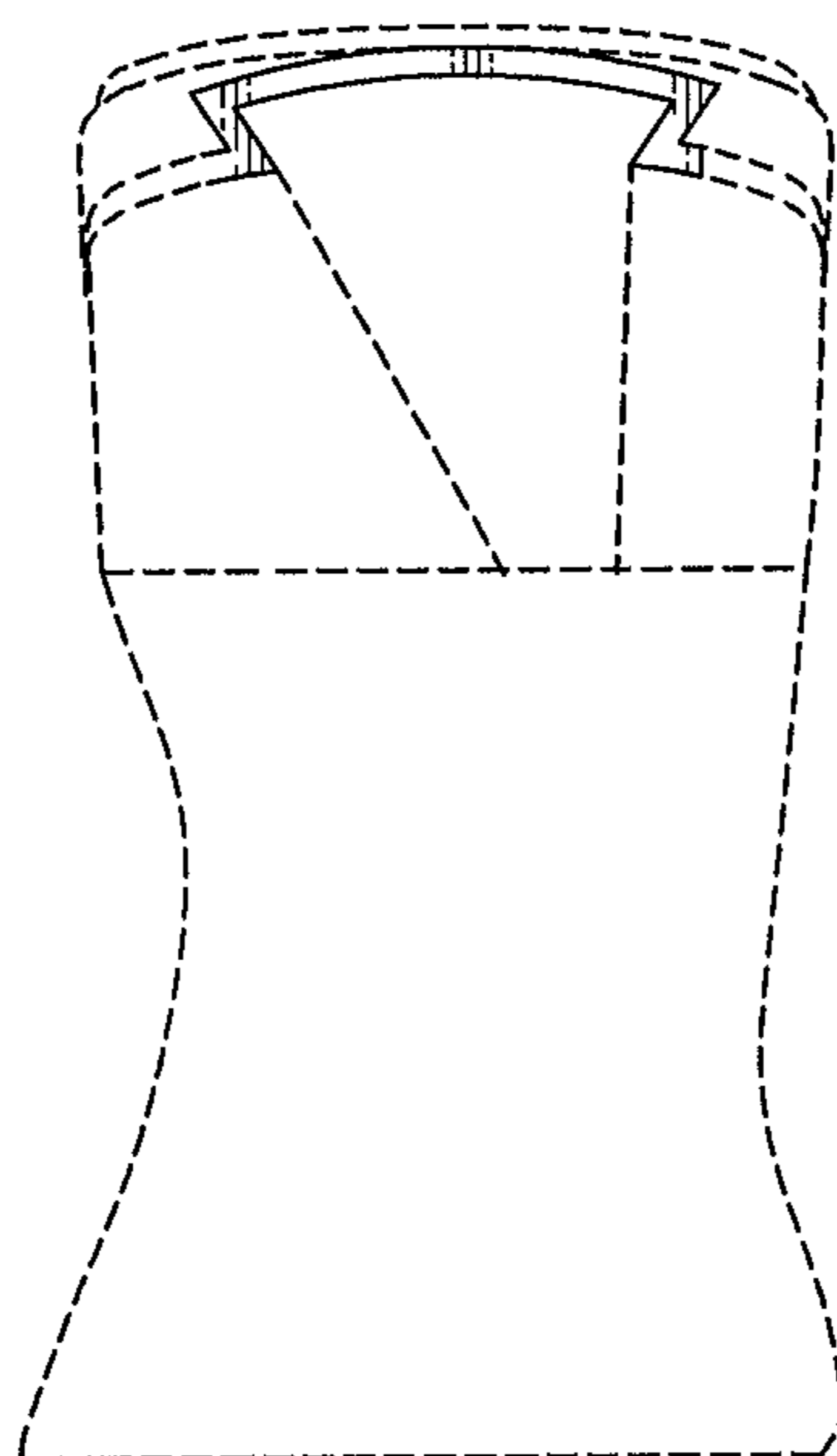


FIG. 17

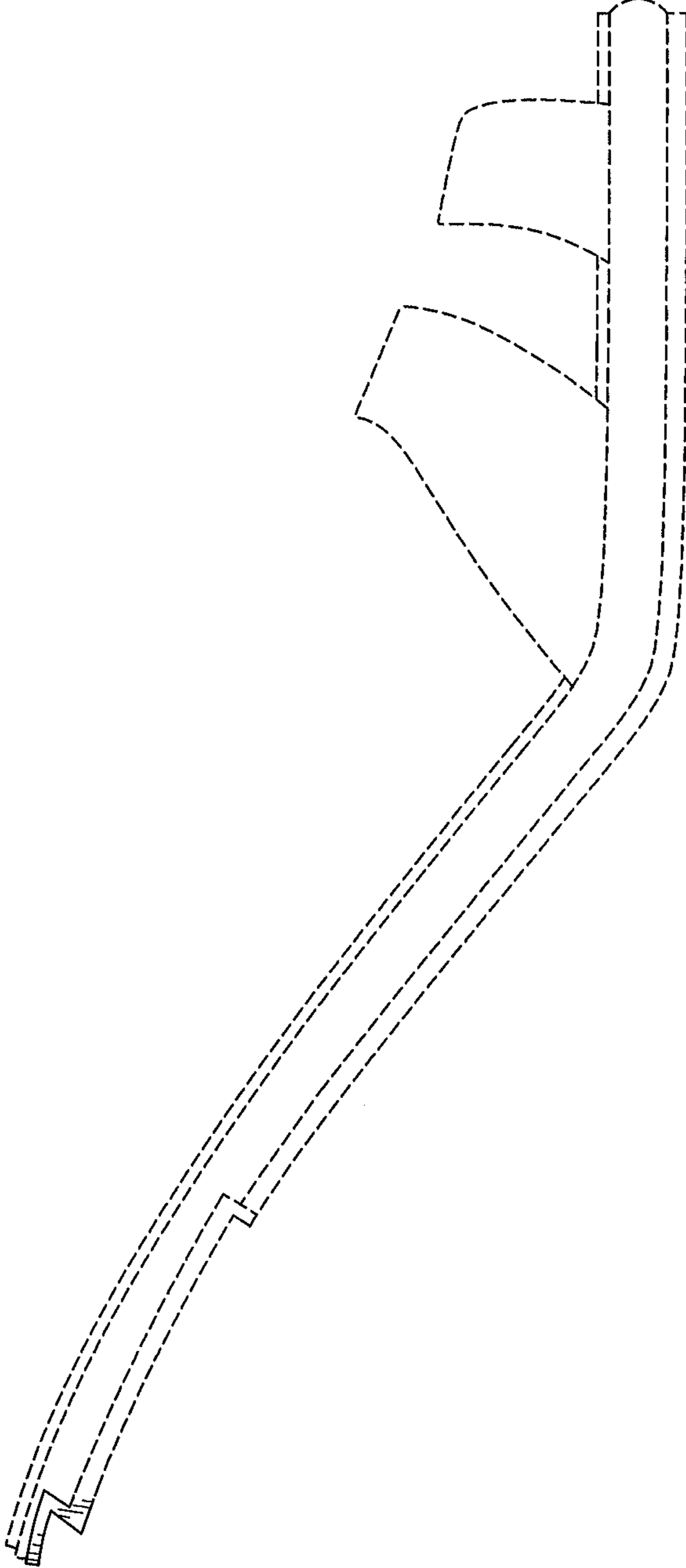


FIG. 18

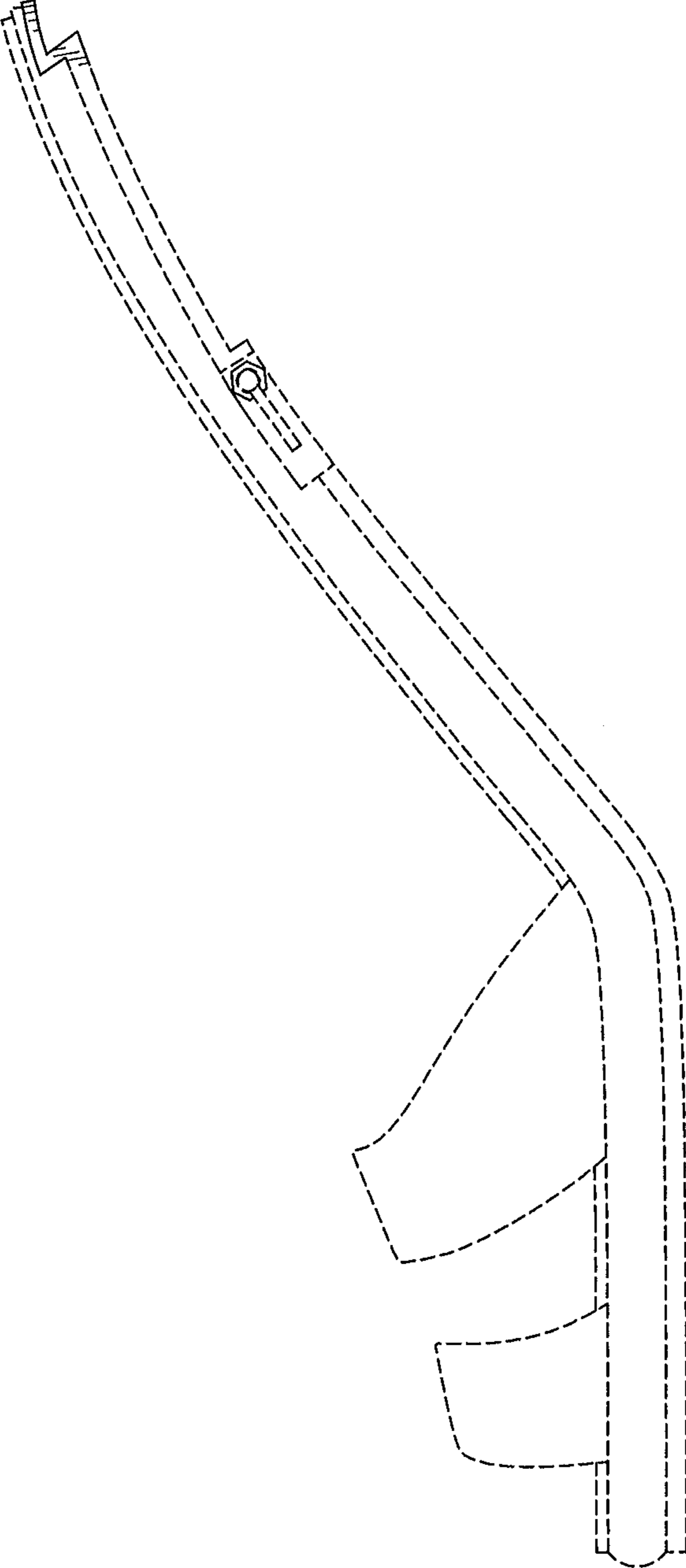


FIG. 19

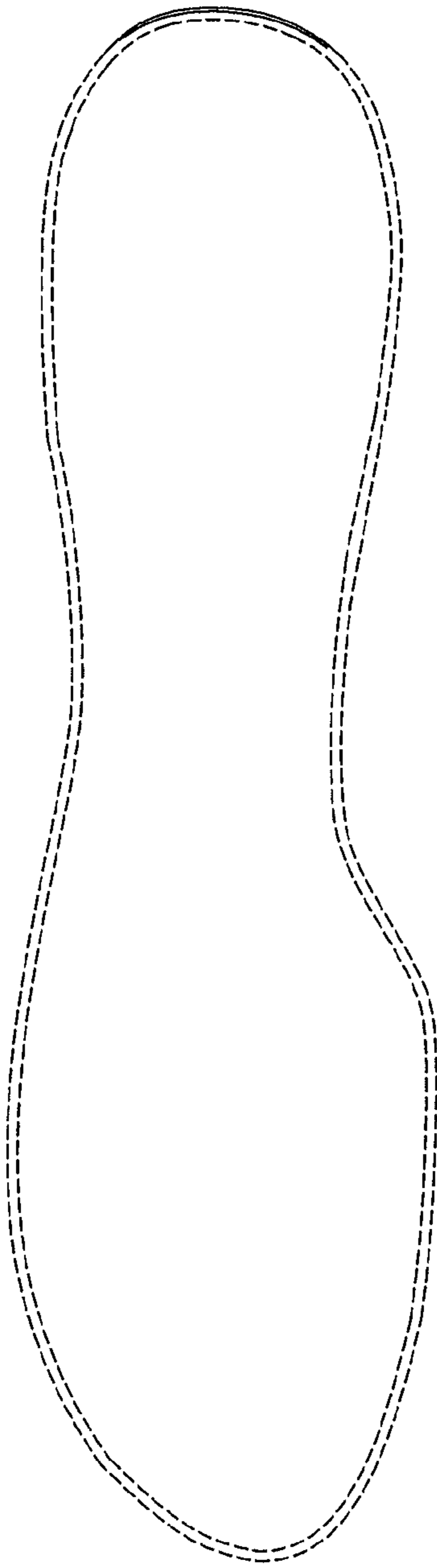


FIG. 20

