



US00D732275S

(12) **United States Design Patent**
Kang

(10) **Patent No.:** **US D732,275 S**
(45) **Date of Patent:** **** Jun. 23, 2015**

- (54) **PEAK FOR CRAMPON**
- (71) Applicant: **Hillsound Equipment Inc.**, Vancouver, BC (CA)
- (72) Inventor: **Chang Sun Kang**, Vancouver (CA)
- (73) Assignee: **Hillsound Equipment Inc.**, Vancouver (CA)
- (**) Term: **14 Years**
- (21) Appl. No.: **29/478,684**
- (22) Filed: **Jan. 7, 2014**
- (51) **LOC (10) Cl.** **02-04**
- (52) **U.S. Cl.**
USPC **D2/768**
- (58) **Field of Classification Search**
USPC D21/768, 769, 771-774; 36/1, 1.5, 2 R, 36/2 A, 2 B, 122-125; D2/962, 963
CPC A43C 15/06; A63C 13/003
See application file for complete search history.

6,453,581	B1 *	9/2002	Kiniry et al.	36/122
8,387,283	B2 *	3/2013	Petzl et al.	36/59 R
8,876,123	B2 *	11/2014	Bradshaw	280/11.3
2002/0083623	A1 *	7/2002	Joseph	36/122
2003/0126766	A1 *	7/2003	Messmer et al.	36/122

* cited by examiner

Primary Examiner — Zenia Bennett

(74) *Attorney, Agent, or Firm* — Kirton McConkie; Evan R. Witt

(57) **CLAIM**

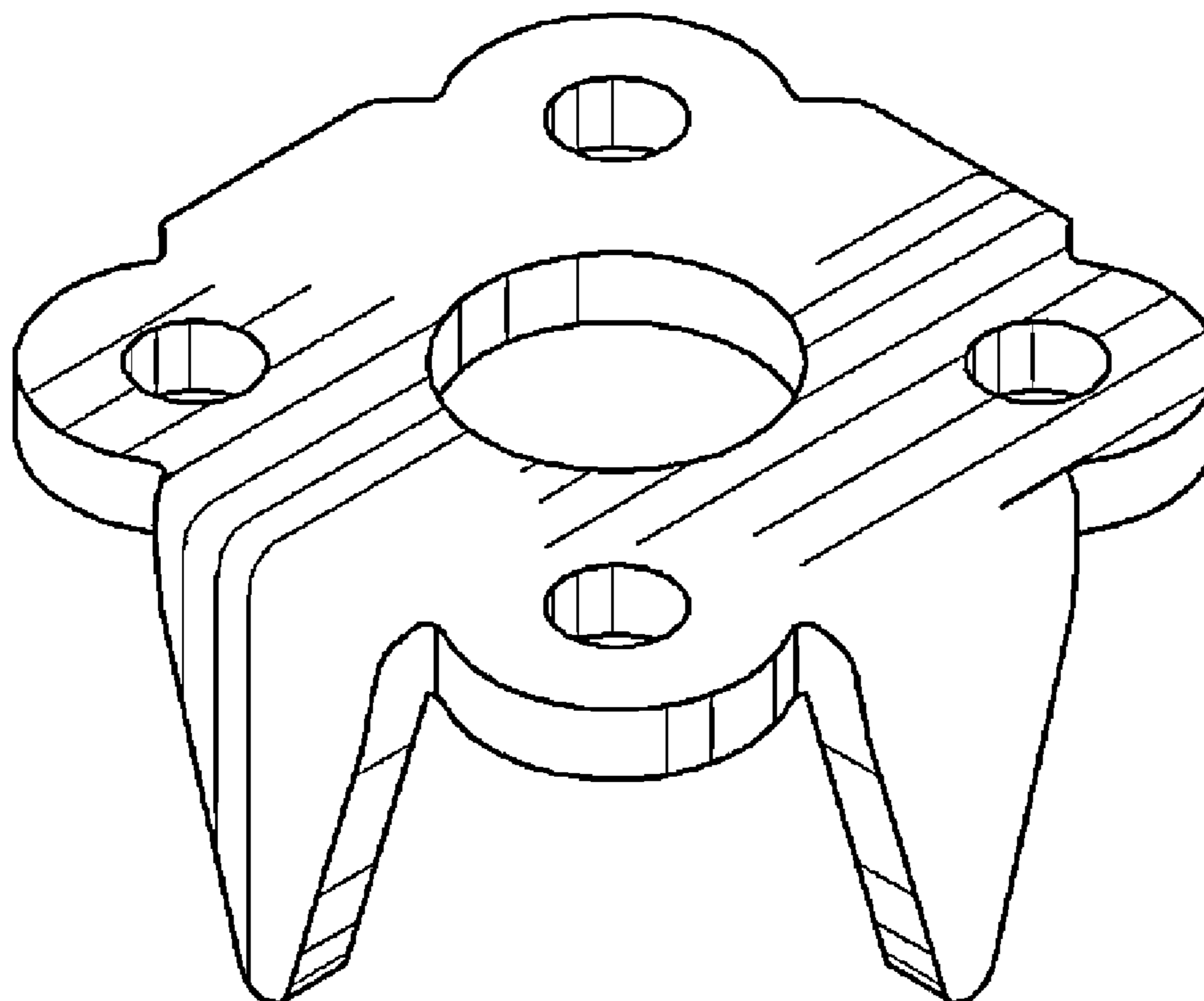
The ornamental design for a peak for crampon, as shown and described.

DESCRIPTION

FIG. 1 is a perspective view of a peak for crampon showing my new design.
 FIG. 2 is a front elevational view thereof, the rear elevational view being a mirror image.
 FIG. 3 is a left side elevational view thereof, the right side elevational view being a mirror image.
 FIG. 4 is a top plan view thereof.
 FIG. 5 is a bottom plan view thereof; and,
 FIG. 6 is a bottom plan reference view thereof shown in a used condition.
 The broken lines in the drawing are for illustrative purposes only and form no part of the claimed design.

1 Claim, 4 Drawing Sheets

- (56) **References Cited**
U.S. PATENT DOCUMENTS
5,687,491 A * 11/1997 Klebahn 36/124
6,026,597 A * 2/2000 Burnet et al. 36/124
6,112,436 A * 9/2000 Quellais 36/124



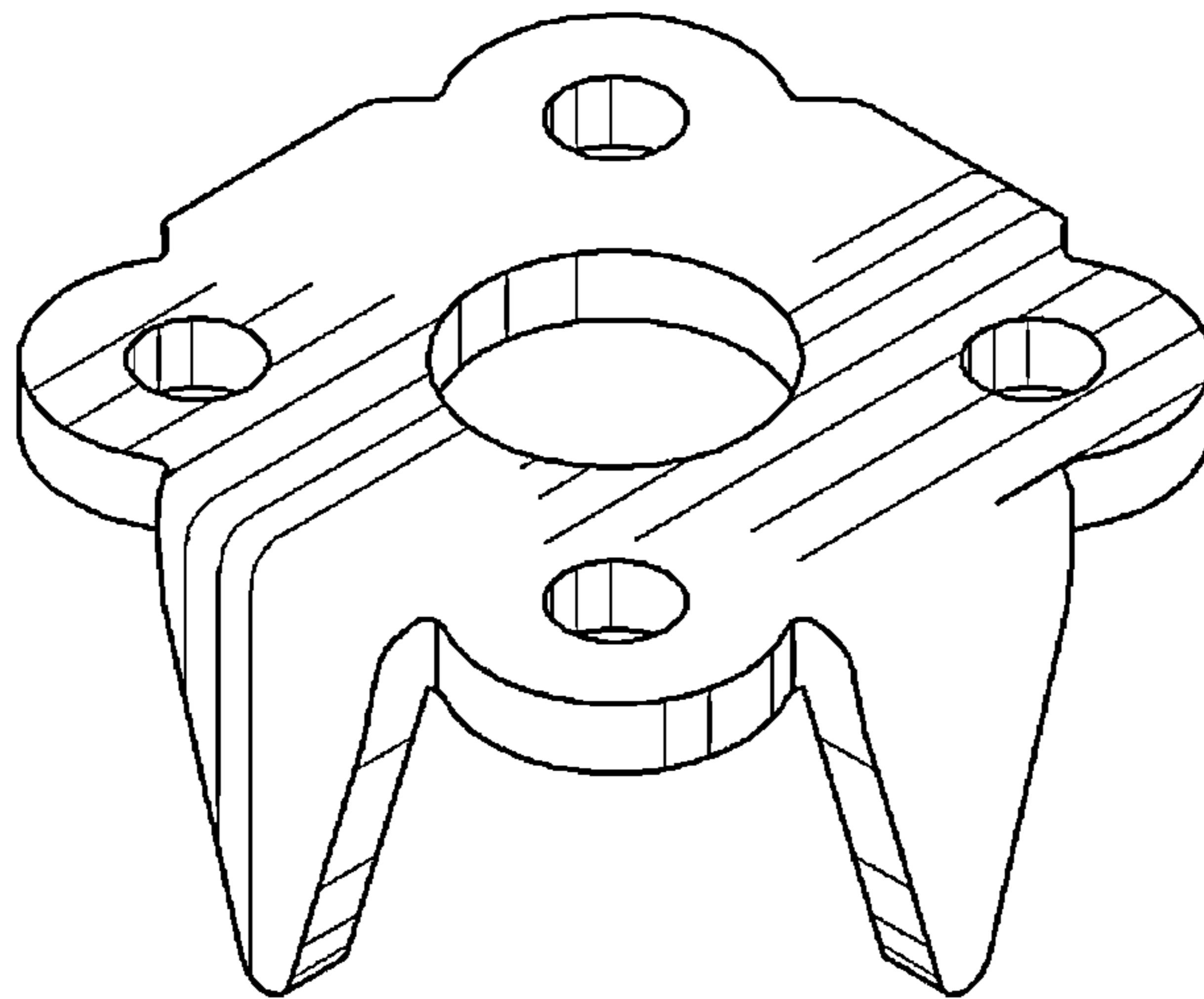


Fig. 1

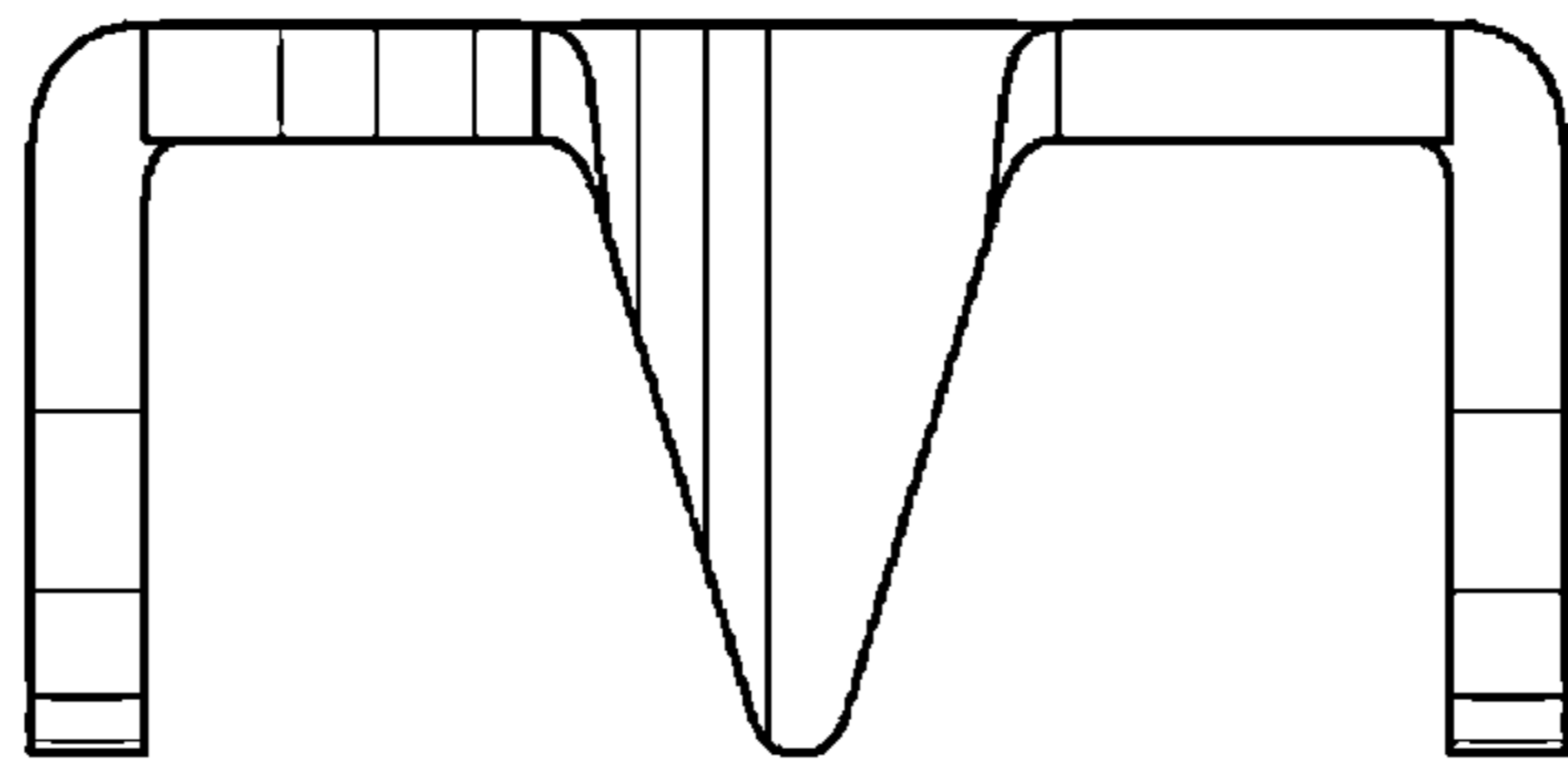


Fig. 2

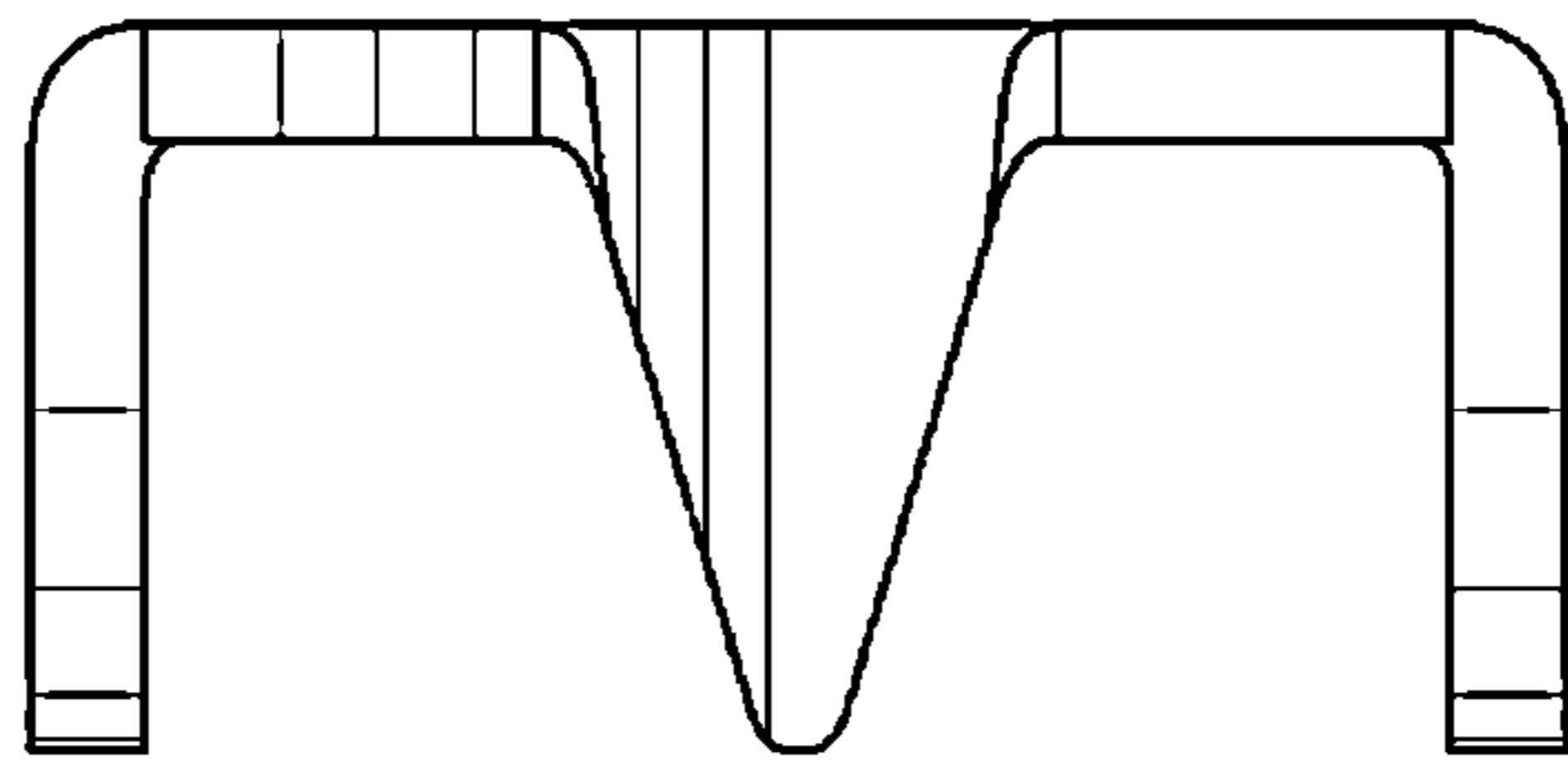


Fig. 3

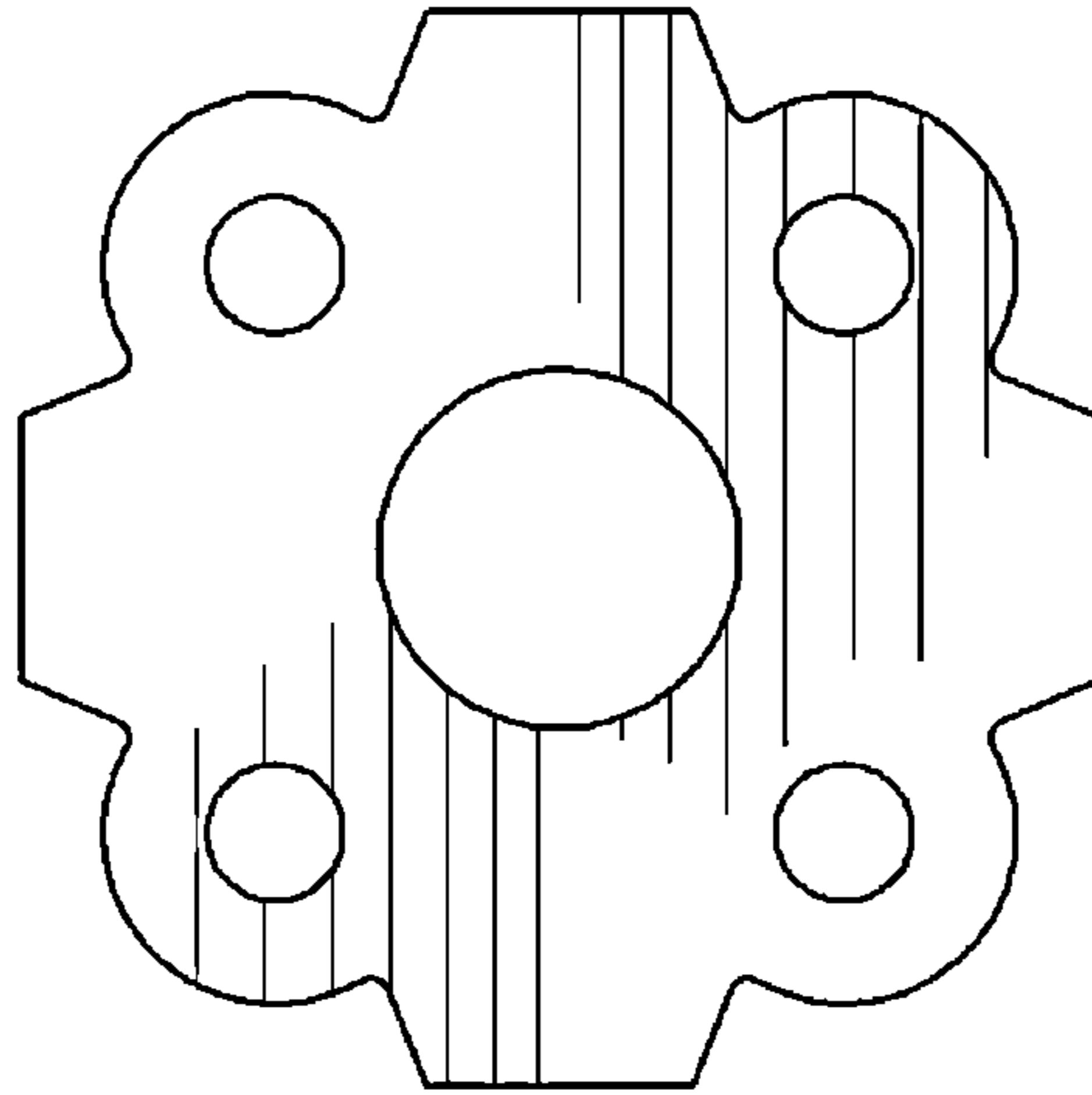


Fig. 4

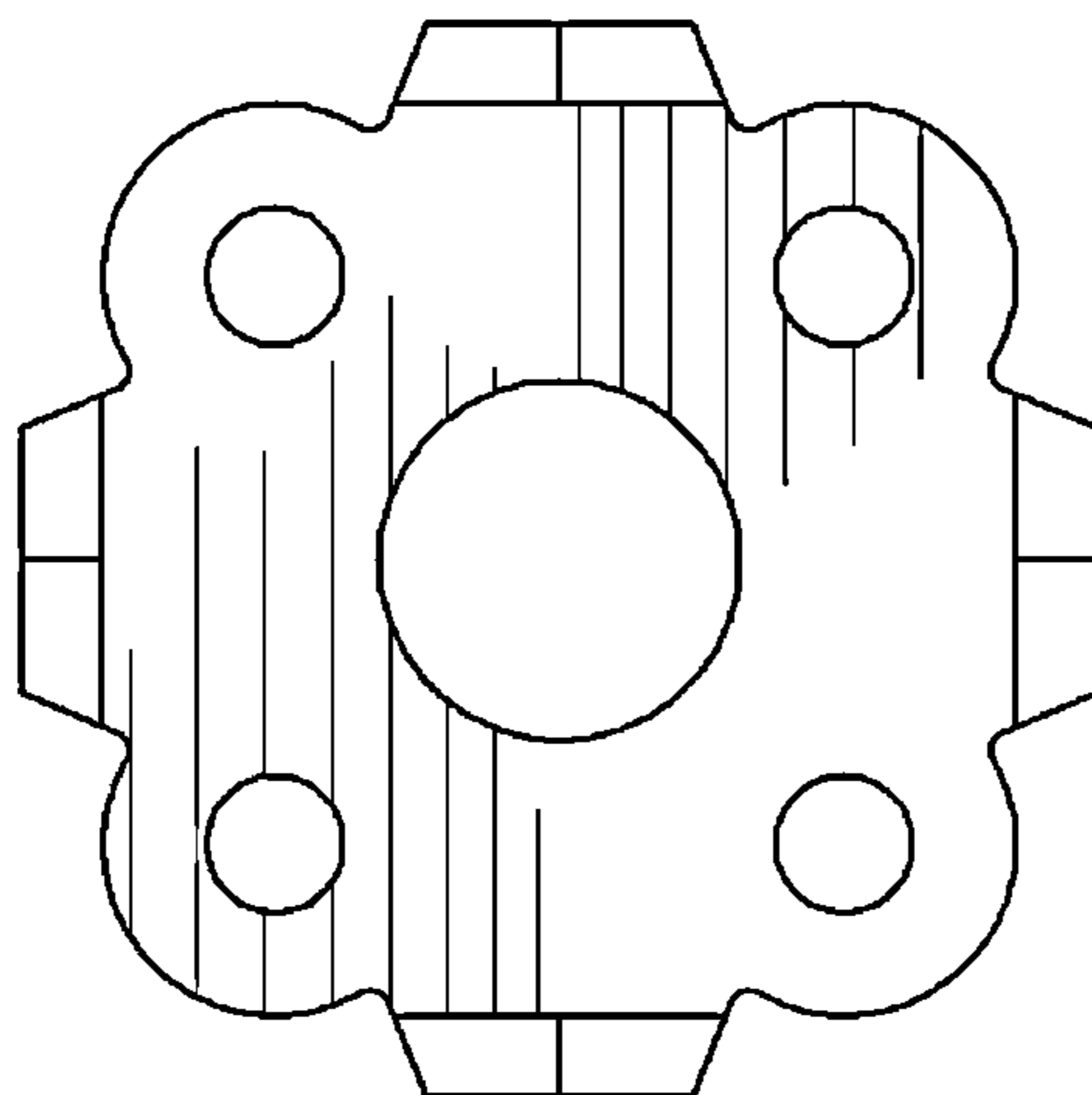


Fig. 5

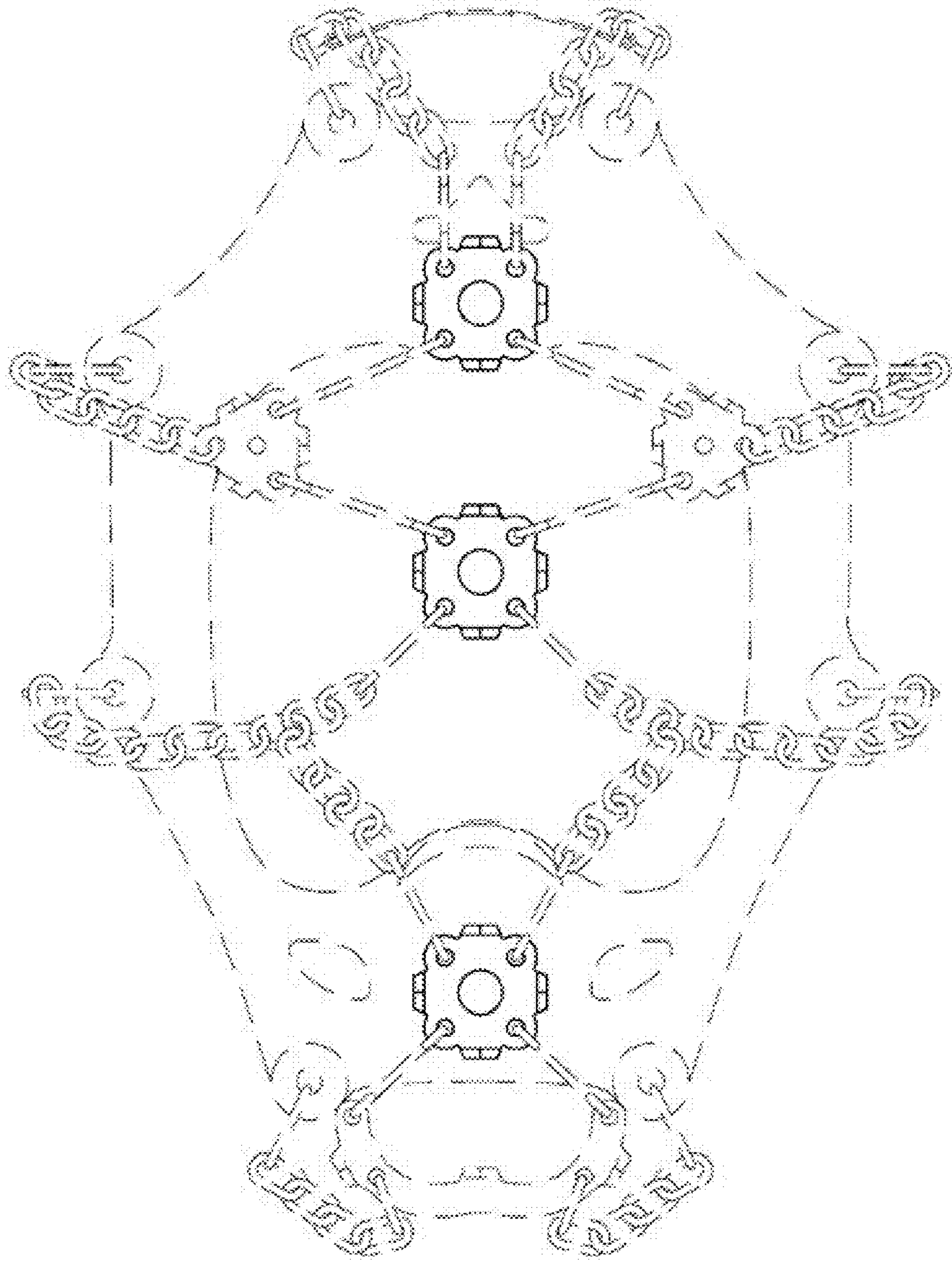


Fig. 6