



US00D732259S

(12) **United States Design Patent**  
**Lockwood**

(10) **Patent No.:** **US D732,259 S**  
(45) **Date of Patent:** **\*\* Jun. 16, 2015**

(54) **WINDSHIELD MOUNTING ASSEMBLY**

(71) Applicant: **Kenneth R. Lockwood**, Arvada, CO  
(US)

(72) Inventor: **Kenneth R. Lockwood**, Arvada, CO  
(US)

(73) Assignee: **KEN'S KAR KLINIK, INC.**, Arvada,  
CO (US)

(\*\*) Term: **14 Years**

(21) Appl. No.: **29/448,074**

(22) Filed: **Mar. 8, 2013**

(51) **LOC (10) Cl.** ..... **12-02**

(52) **U.S. Cl.**  
USPC ..... **D34/26**

(58) **Field of Classification Search**  
USPC ..... D34/26, 35, 21, 28, 33; D8/400-499;  
D25/199, 48.5; 160/146, 144, 62, 199;  
211/295  
CPC .. B65G 2249/04; B65G 49/061; B65G 85/48;  
A47L 15/50; B62B 2203/30; B62B 3/108  
See application file for complete search history.

(56) **References Cited**

**U.S. PATENT DOCUMENTS**

417,898	A *	12/1889	Bataille	160/141
854,392	A *	5/1907	Wills	160/141
2,348,561	A *	5/1944	Mutch	160/135
2,937,699	A *	5/1960	Ducharme	160/84.09
3,417,805	A *	12/1968	Kaufman et al.	160/152
3,506,056	A *	4/1970	Quinones et al.	160/160
3,765,550	A *	10/1973	Tausheck	414/541
4,069,922	A	1/1978	Hawkins	
4,243,090	A *	1/1981	Kemp	160/145
5,221,012	A *	6/1993	Licari	211/105
5,457,914	A *	10/1995	Johnson, Jr.	49/463
D429,051	S	8/2000	Porter	
6,435,250	B1 *	8/2002	Pichik et al.	160/24
D485,413	S *	1/2004	Yamamoto et al.	D34/38

6,761,274	B1 *	7/2004	Chen	211/207
6,953,106	B2	10/2005	Weston et al.	
7,039,995	B2	5/2006	Thompson	
D602,713	S *	10/2009	Stukenberg	D6/466
7,597,205	B2 *	10/2009	Shepard-Vagedes et al.	211/200
D613,022	S *	3/2010	Laursen	D34/23
D617,576	S *	6/2010	Lin	D6/411
7,784,816	B2 *	8/2010	Jian et al.	280/651
D630,266	S *	1/2011	Frank et al.	D21/506
D632,450	S *	2/2011	Agoncillo et al.	D34/28
D636,142	S *	4/2011	Loeppky et al.	D34/28
D643,989	S *	8/2011	Goldszer	D34/26
8,286,810	B2 *	10/2012	Sabounjian	211/200
D685,563	S *	7/2013	Chan	D34/28
D688,022	S *	8/2013	Gann et al.	D34/28
8,523,197	B2 *	9/2013	Baatz et al.	280/42

(Continued)

*Primary Examiner* — Susan Bennett Hattan

*Assistant Examiner* — Marie Fast Horse

(74) *Attorney, Agent, or Firm* — Aileen Law; Oppedahl  
Patent Law Firm LLC

(57) **CLAIM**

The ornamental design for a windshield mounting assembly,  
as shown and described.

**DESCRIPTION**

FIG. 1 is a front and right side perspective view of my new  
design for a windshield mounting assembly, shown partially  
expanded;

FIG. 2 is a front elevational view of FIG. 1, shown expanded;

FIG. 3 is a back elevational view of FIG. 2;

FIG. 4 is a top plan view thereof;

FIG. 5 is a bottom plan view thereof;

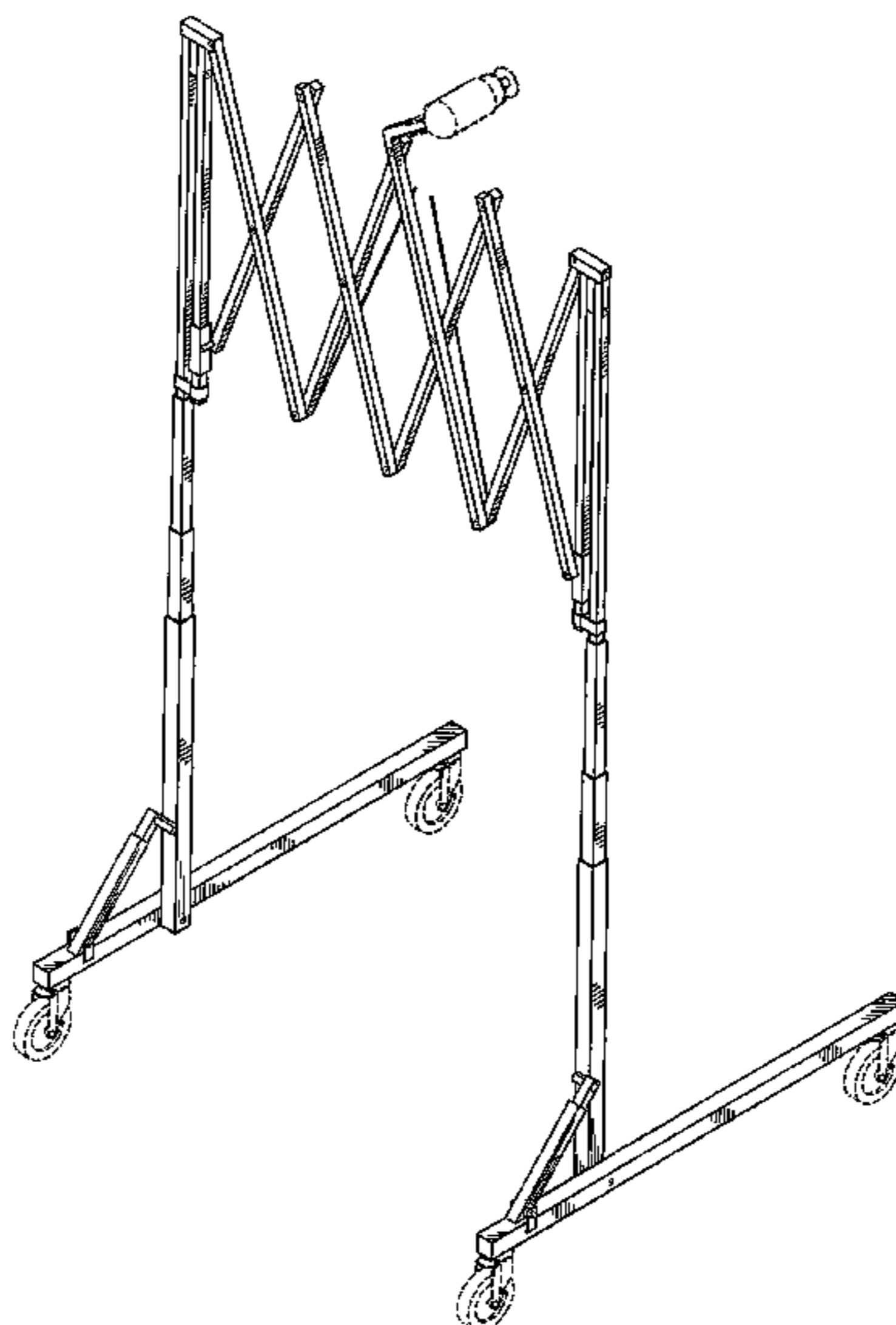
FIG. 6 is a right side elevational view thereof;

FIG. 7 is a left side elevational view thereof; and,

FIG. 8 is a front elevational view of the windshield mounting  
assembly, shown closed.

The broken lines shown in the drawings illustrate environ-  
mental subject matter only and form no part of the claimed  
design.

**1 Claim, 6 Drawing Sheets**



(56)

**References Cited**

U.S. PATENT DOCUMENTS

8,602,229	B2 *	12/2013	Raghunathan et al. ..	211/119.01	2007/0221598	A1 *	9/2007	Sabounjian .....	211/200
8,672,147	B2 *	3/2014	Lam .....	211/149	2008/0150244	A1 *	6/2008	Carlei .....	280/35
D704,914	S *	5/2014	Campbell et al. ....	D34/28	2008/0185358	A1 *	8/2008	Hernandez .....	211/195
2001/0004969	A1 *	6/2001	Arai .....	206/320	2009/0020661	A1 *	1/2009	Ludwig et al. ....	248/129
2007/0063471	A1 *	3/2007	Carlei .....	280/79.7	2009/0250416	A1 *	10/2009	Chookang .....	211/41.14
					2010/0066046	A1 *	3/2010	Warunek .....	280/63
					2010/0126076	A1 *	5/2010	Broyan .....	49/404

\* cited by examiner

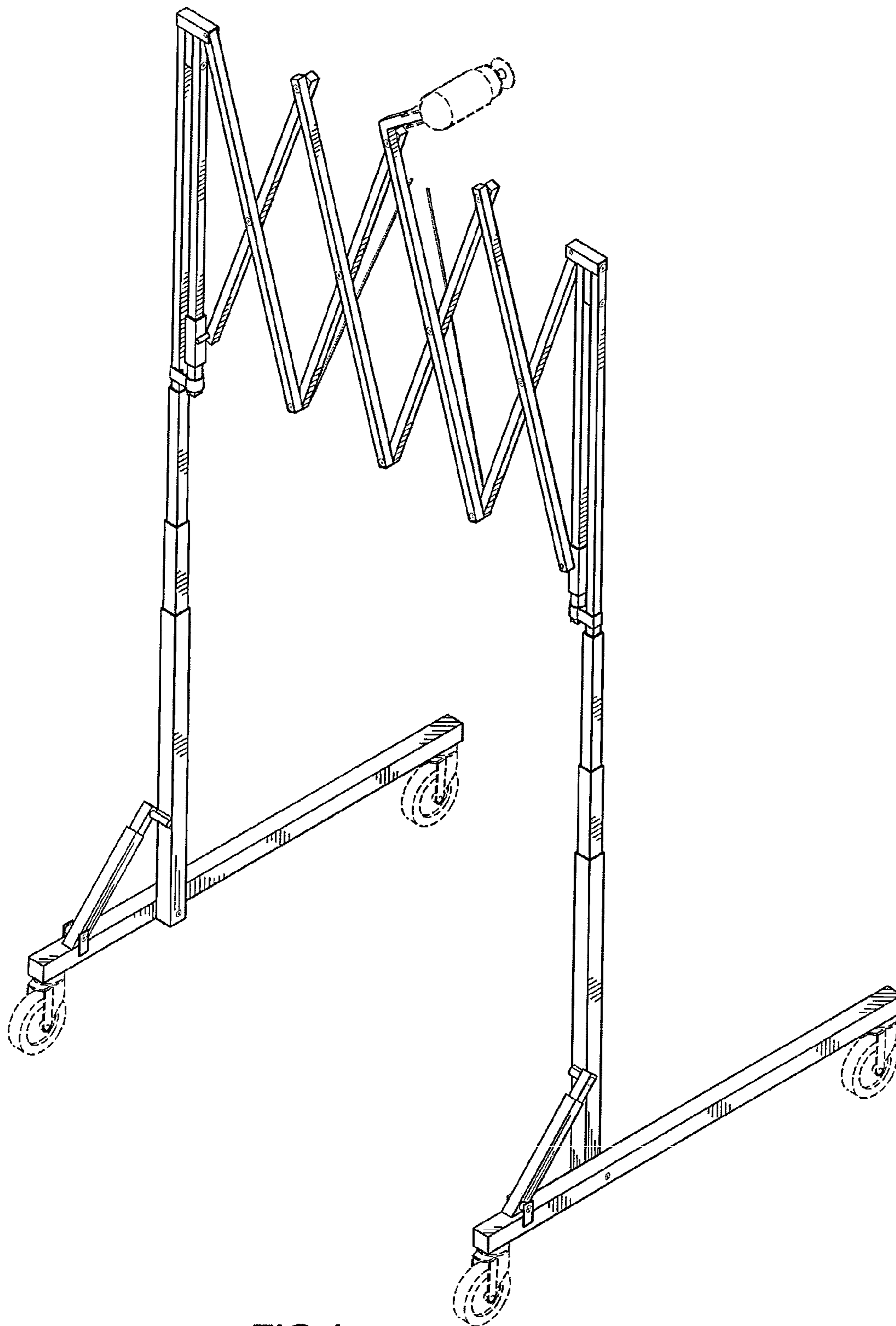


FIG.1

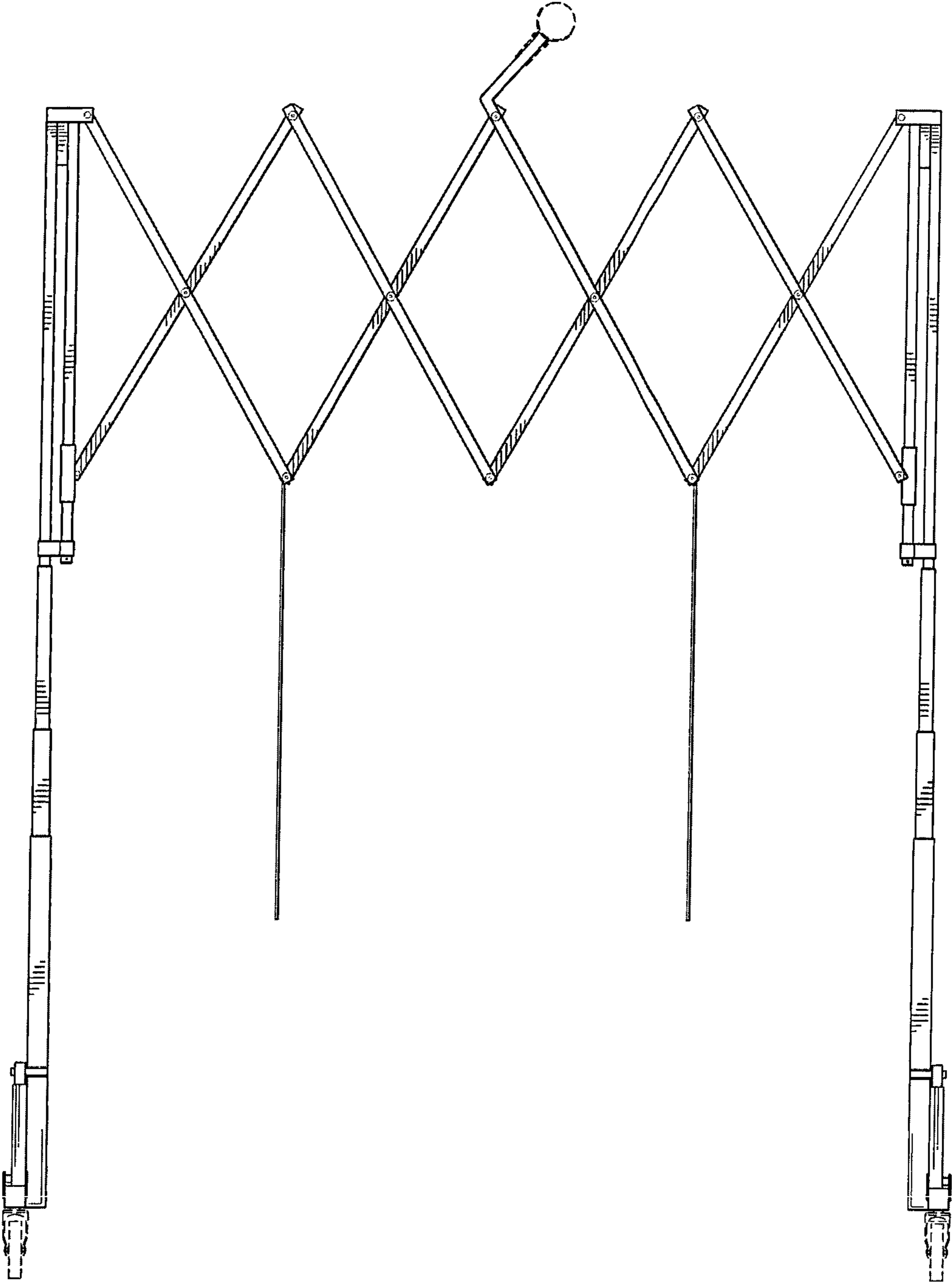


FIG.2

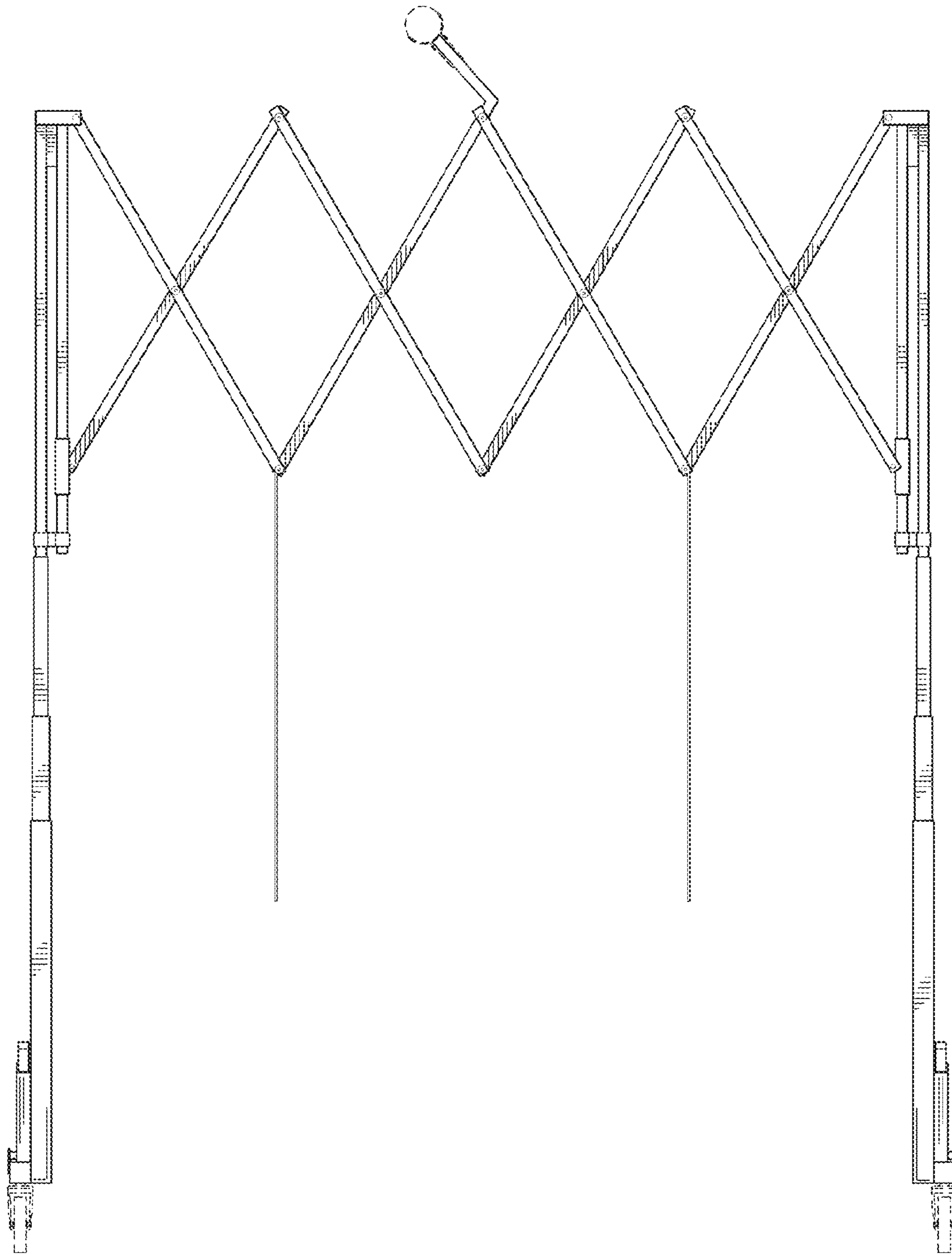


FIG.3

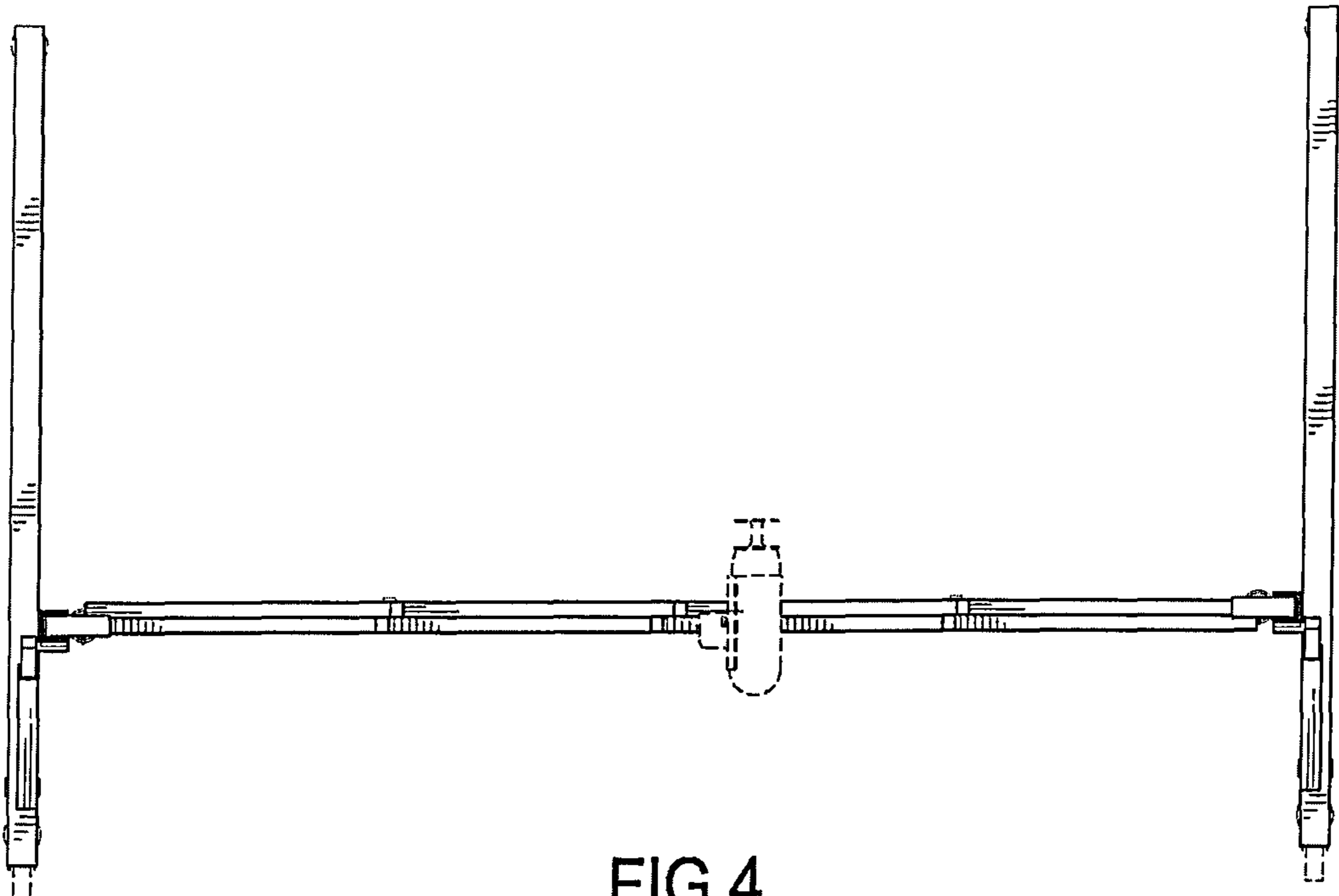


FIG.4

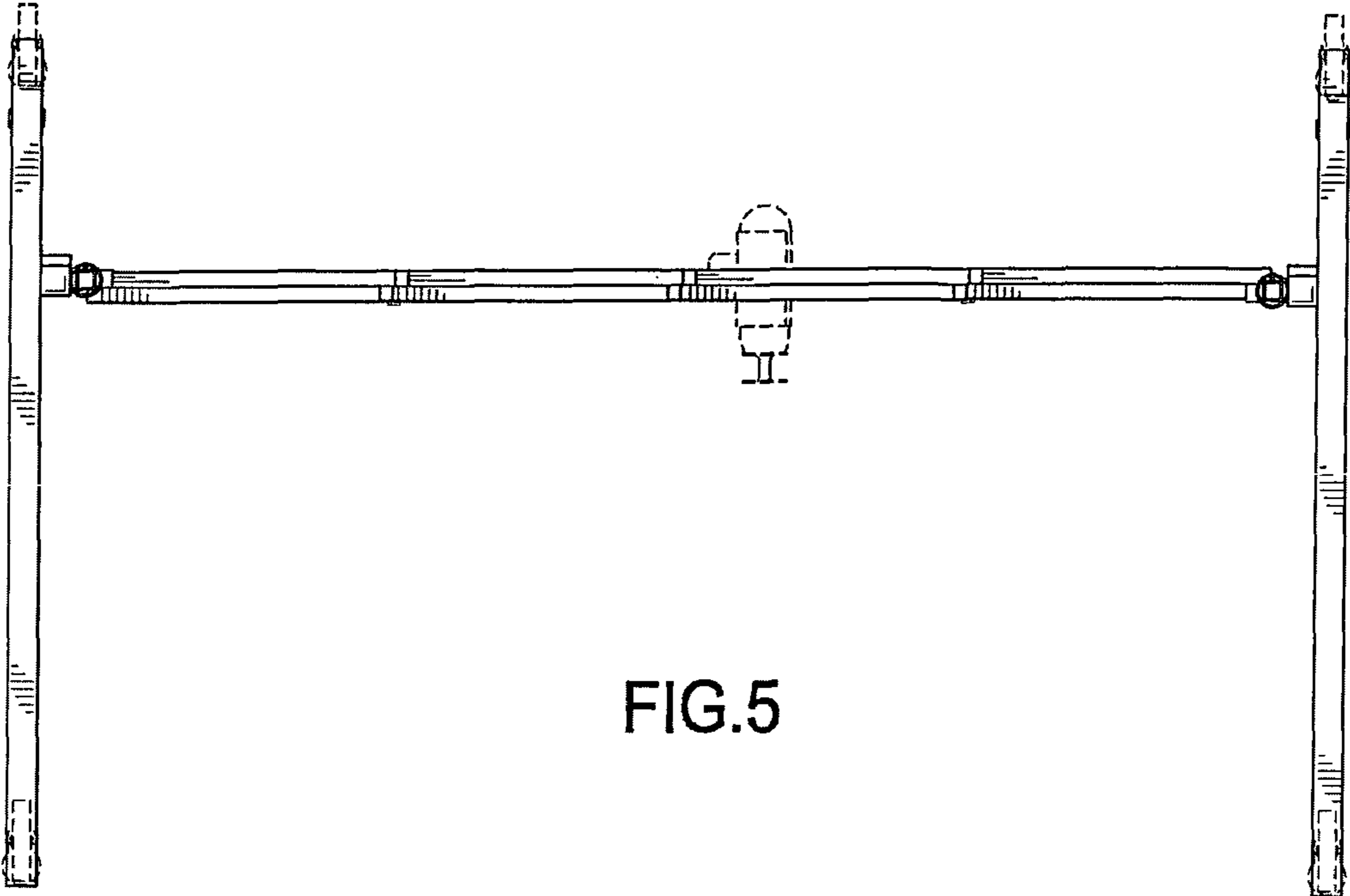


FIG.5

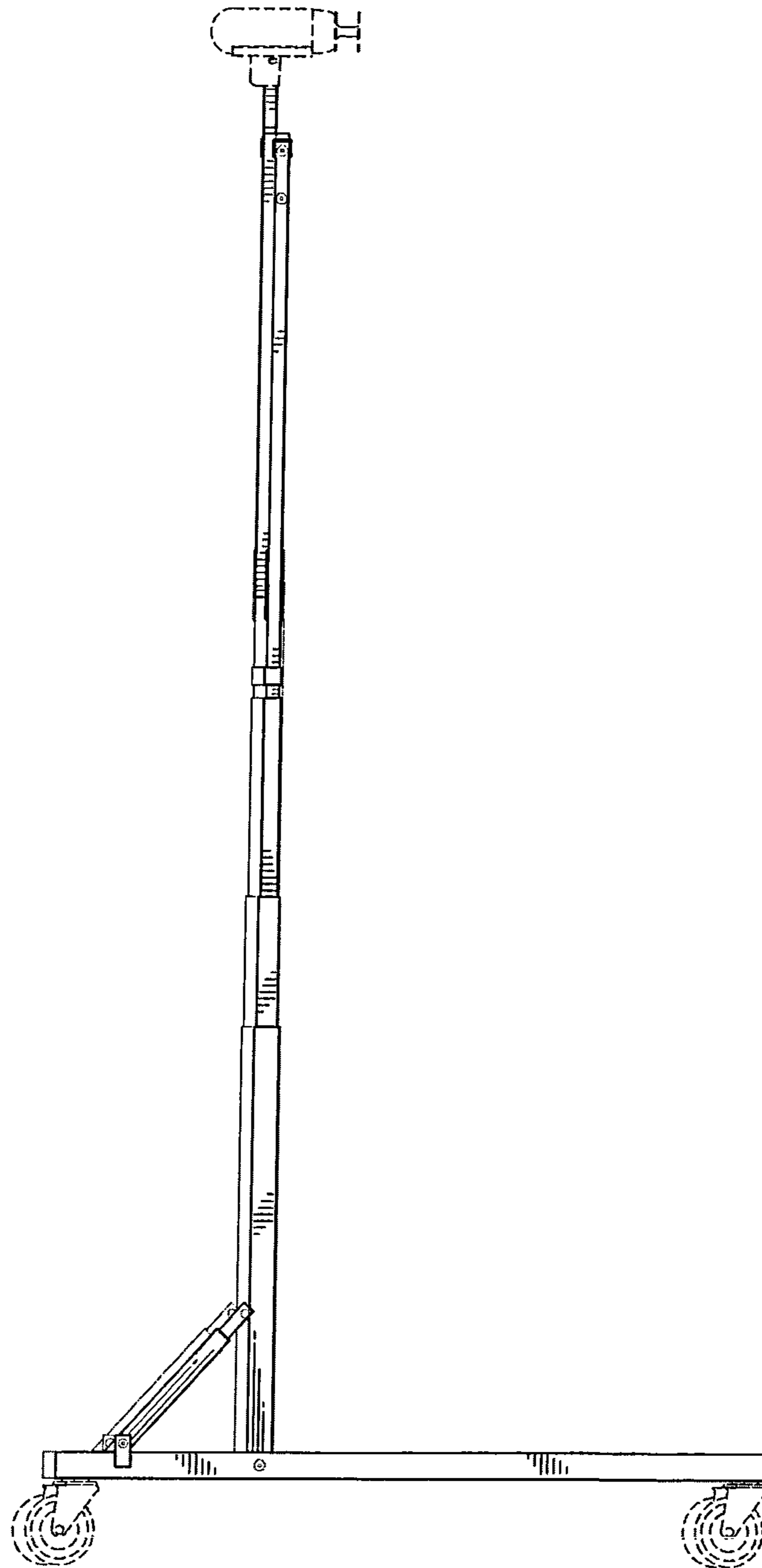


FIG.6

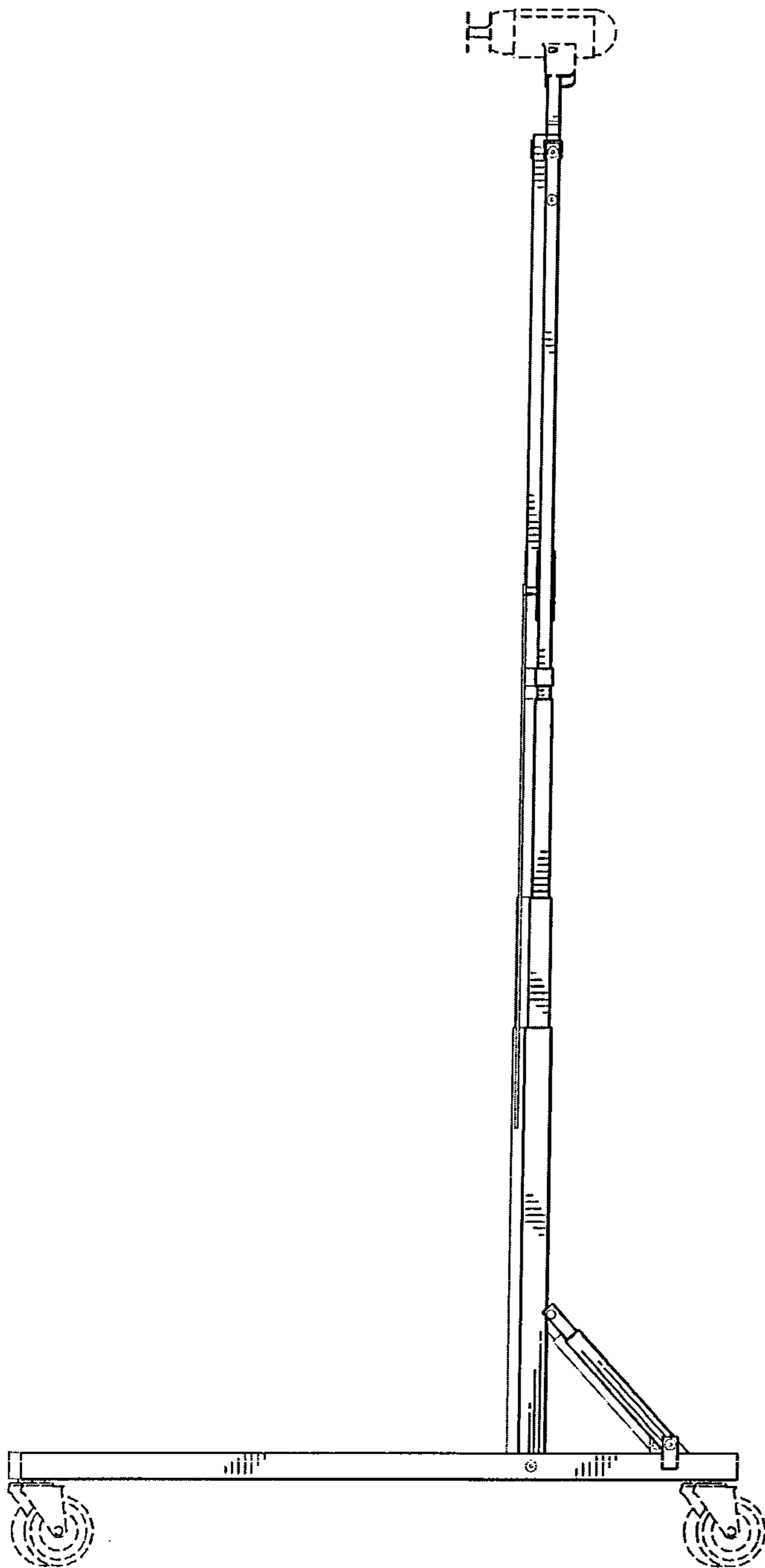


FIG. 7

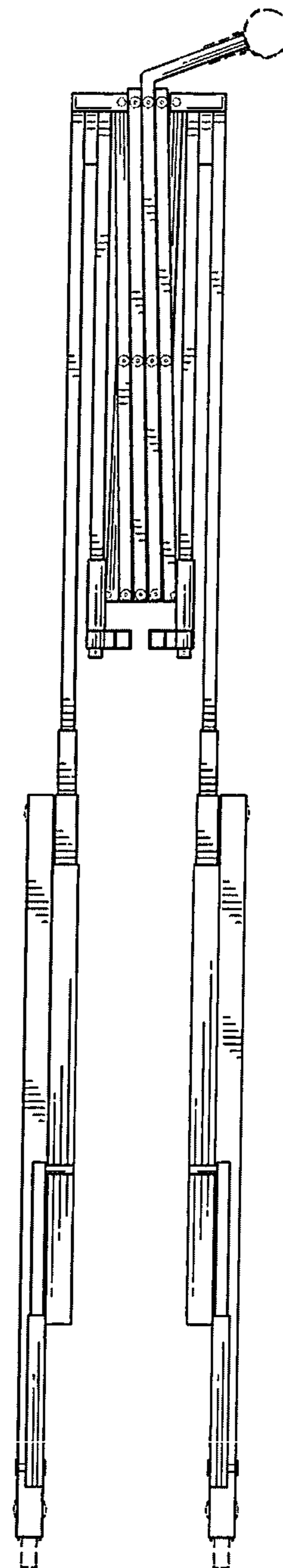


FIG. 8