



US00D732258S

(12) **United States Design Patent**
Garcia

(10) **Patent No.:** **US D732,258 S**
(45) **Date of Patent:** **** Jun. 16, 2015**

- (54) **ROOFING TORCH CART**
- (71) Applicant: **Arturo C. Garcia**, Fontana, CA (US)
- (72) Inventor: **Arturo C. Garcia**, Fontana, CA (US)
- (**) Term: **14 Years**
- (21) Appl. No.: **29/489,199**
- (22) Filed: **Apr. 28, 2014**
- (51) **LOC (10) Cl.** **12-02**
- (52) **U.S. Cl.**
USPC **D34/12**
- (58) **Field of Classification Search**
USPC D34/12-27; 280/DIG. 5, DIG. 6, 47.26,
280/40, 47.24, 47.19, 654, 645
CPC B62B 1/10; B62B 1/264; B62B 1/14;
B62B 2202/408; B62B 2202/20
See application file for complete search history.

- D410,785 S * 6/1999 Leasure et al. D34/24
- D432,283 S 10/2000 Hohns
- D509,938 S 9/2005 Belmont et al.
- D519,258 S * 4/2006 Resfum D34/12
- D523,608 S 6/2006 Brubacher et al.
- D541,503 S * 4/2007 Lee D34/15
- D615,724 S 5/2010 Girard
- D632,448 S * 2/2011 Simko et al. D34/12
- 8,262,106 B1 * 9/2012 Suszynsky 280/47.131
- D678,642 S * 3/2013 Riddiford D34/24
- D714,511 S * 9/2014 Kuklik D34/15
- D715,511 S * 10/2014 Okwumabua D34/5
- 2001/0035620 A1 * 11/2001 Wilson 280/79.7

* cited by examiner

Primary Examiner — Cynthia Ramirez

(74) *Attorney, Agent, or Firm* — Kirk A. Buhler; Buhler & Associates

(57) **CLAIM**

The ornamental design for a roofing torch cart, as shown and described.

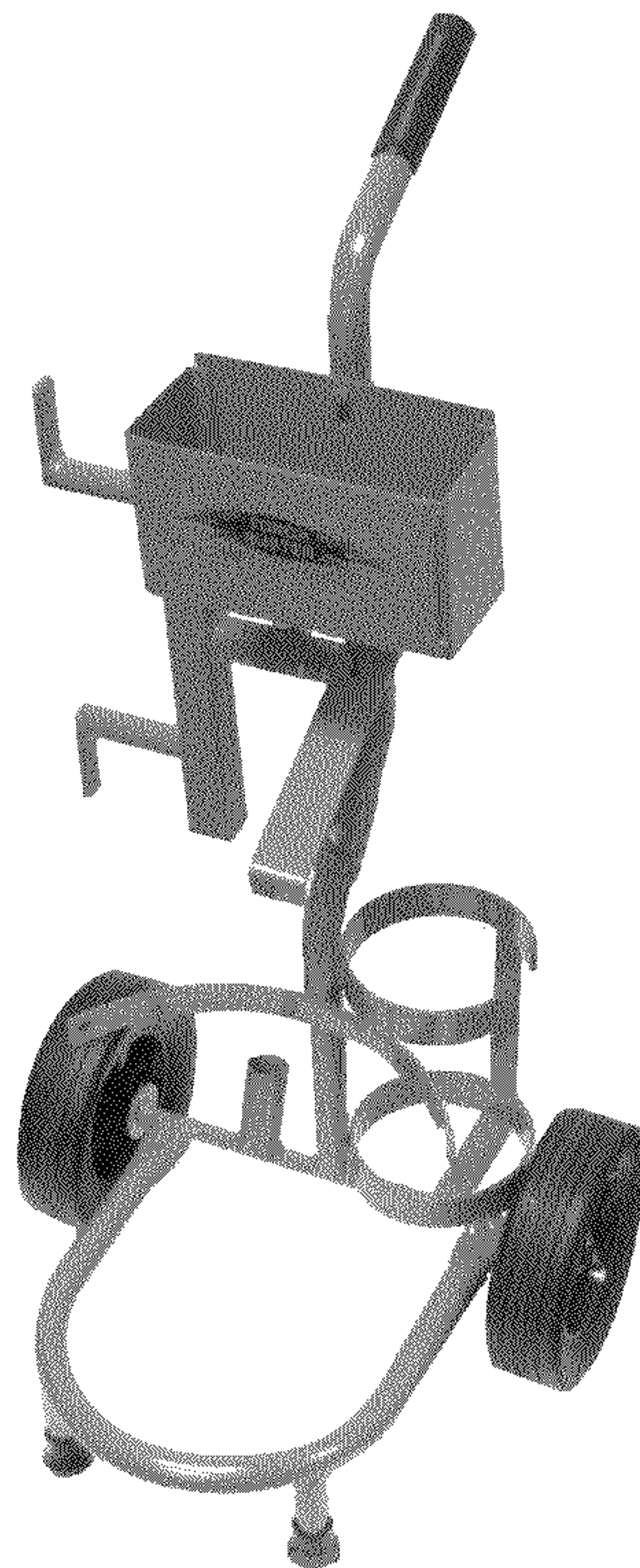
DESCRIPTION

FIG. 1 is a top right perspective view for a roofing torch cart showing my new design;
 FIG. 2 is a front side view thereof;
 FIG. 3 is a back side view thereof;
 FIG. 4 is a top side view thereof;
 FIG. 5 is a bottom side view thereof;
 FIG. 6 is a left side view thereof;
 FIG. 7 is a right side view thereof; and,
 FIG. 8 is a top left perspective view thereof.

1 Claim, 6 Drawing Sheets

(56) **References Cited**
 U.S. PATENT DOCUMENTS

- D252,746 S * 8/1979 Ek D34/26
- D258,436 S * 3/1981 McGilberry D15/7
- D302,063 S 7/1989 Frazier et al.
- 5,071,148 A * 12/1991 Salvucci, Sr. 280/47.24
- D331,303 S 11/1992 Dunn
- D340,787 S * 10/1993 Laursen D34/15
- D350,426 S * 9/1994 Liao et al. D34/15
- 5,351,983 A * 10/1994 Descalo 280/646
- D356,410 S * 3/1995 Cole D34/15
- D401,725 S * 11/1998 Szumal D34/24



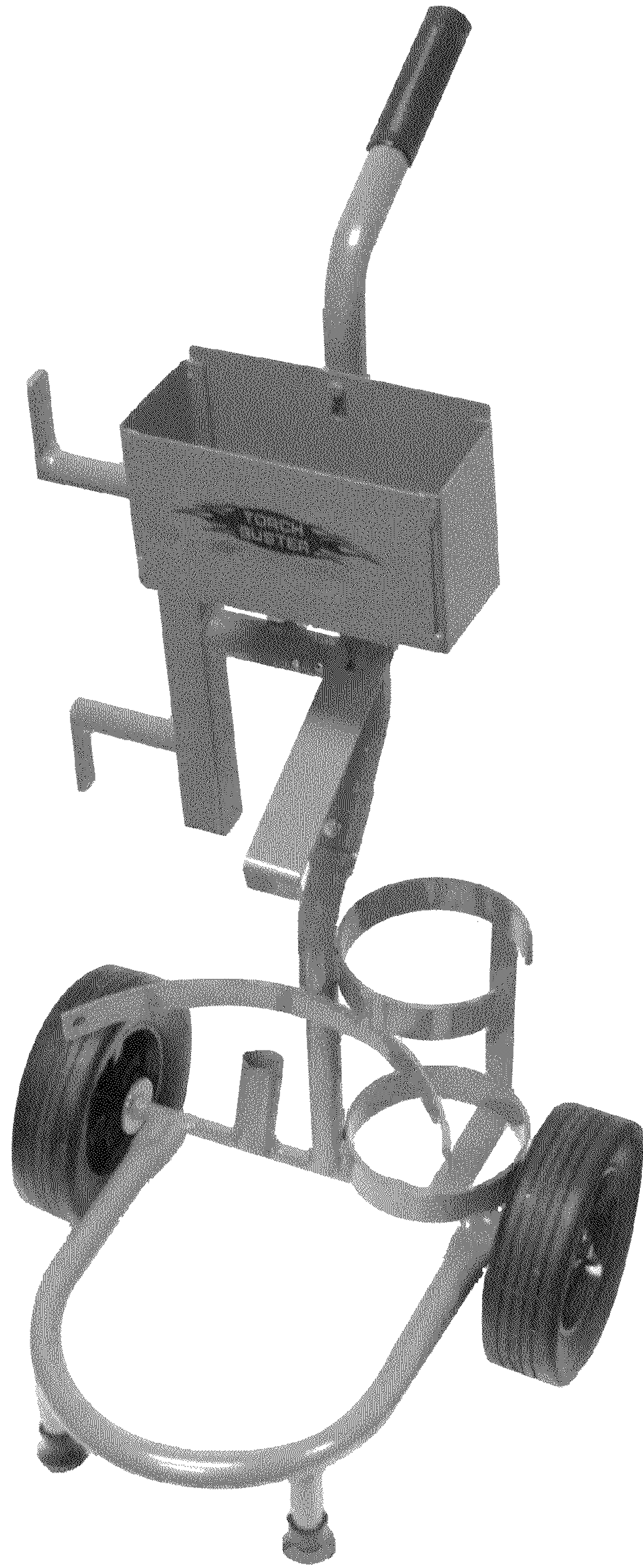


FIG 1

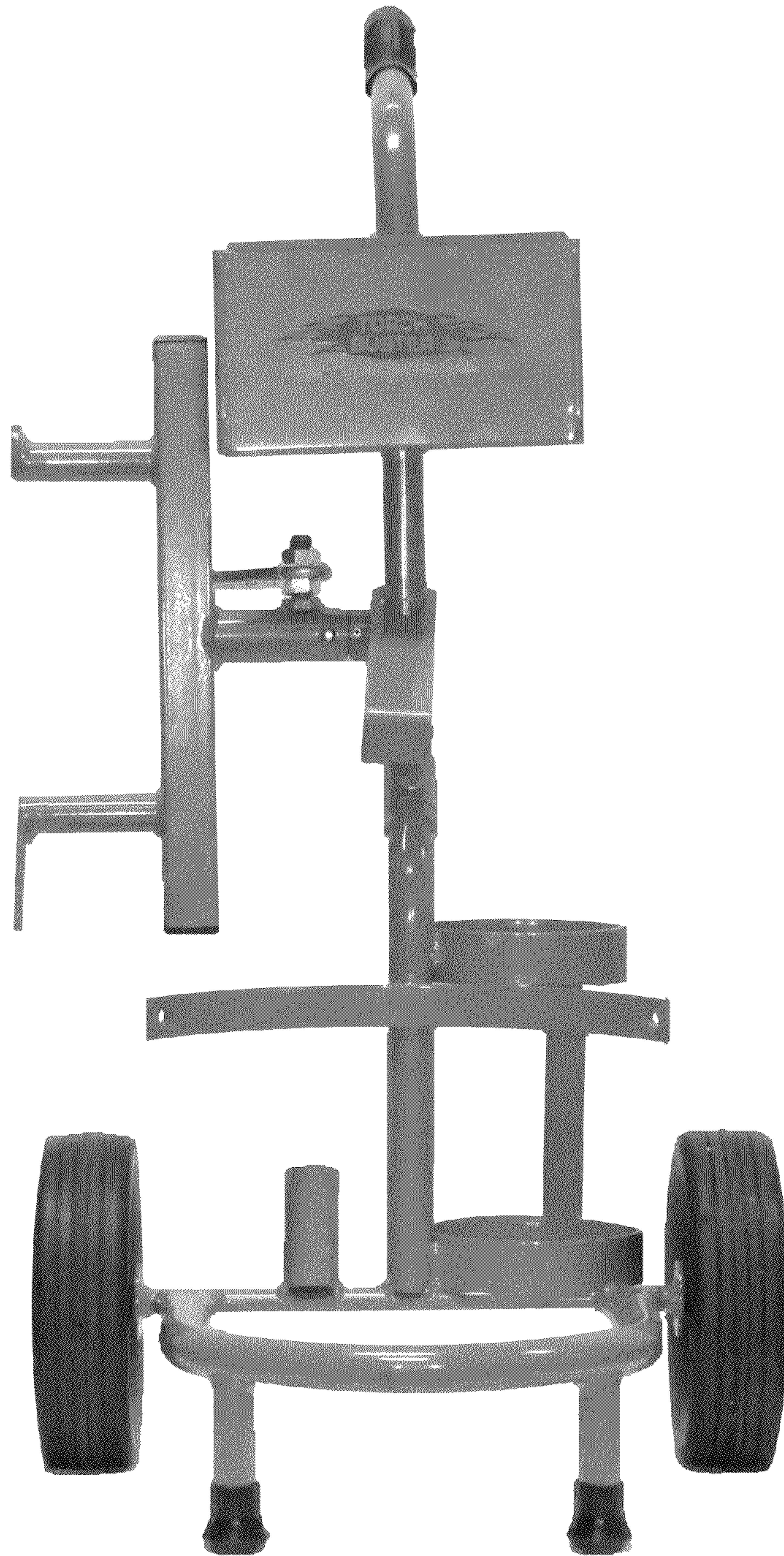


FIG 2

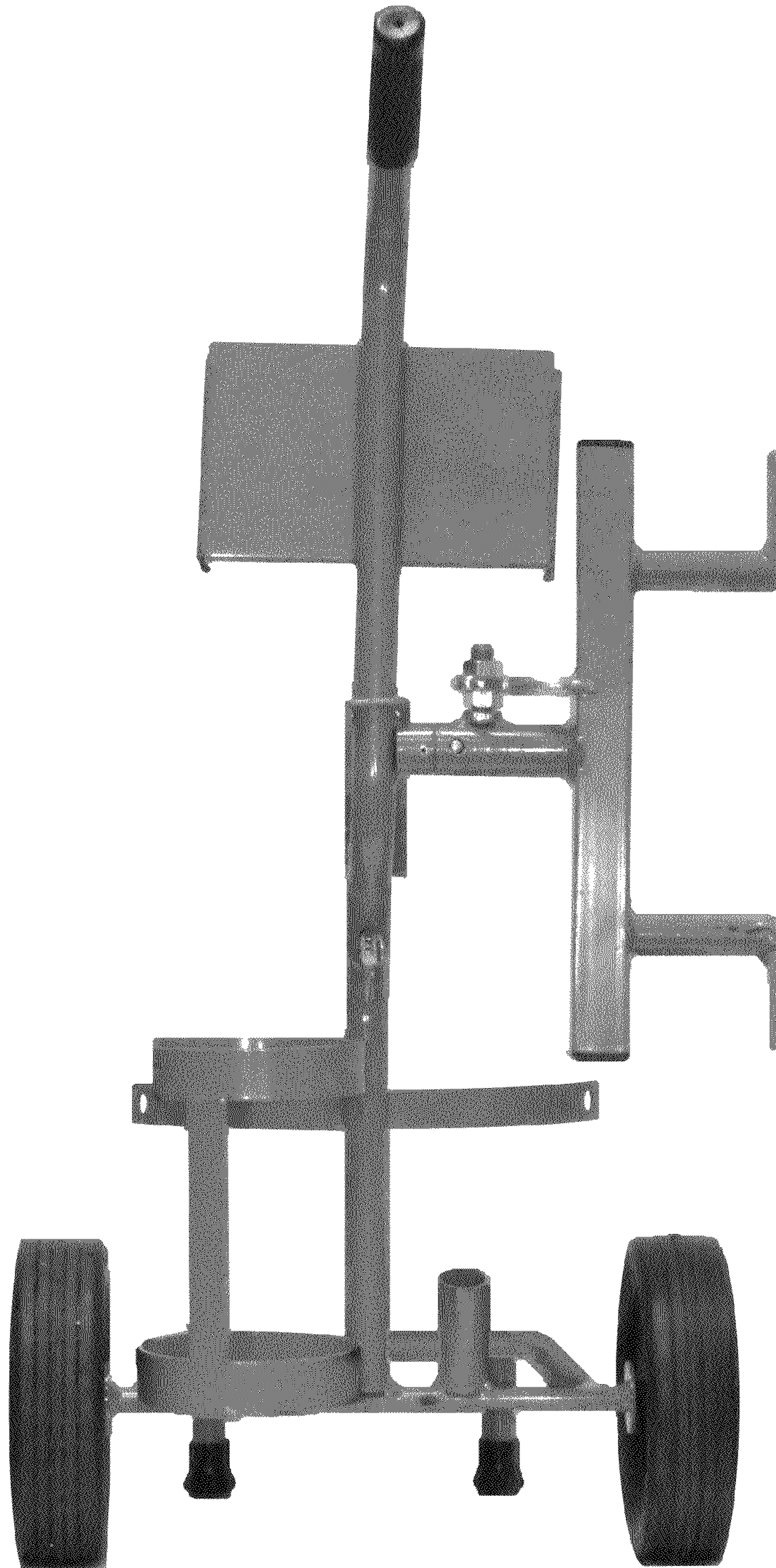


FIG. 3

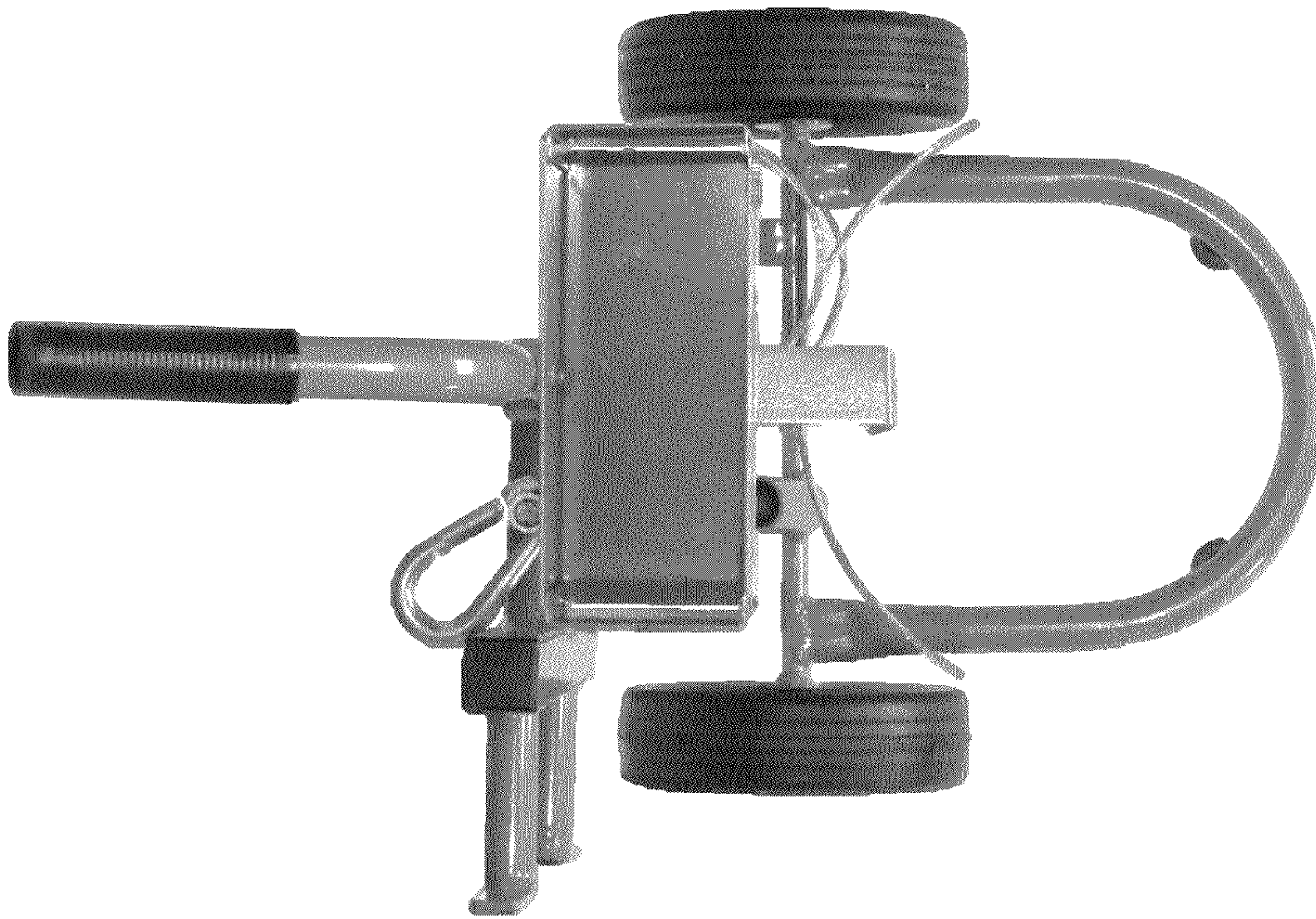


FIG 4

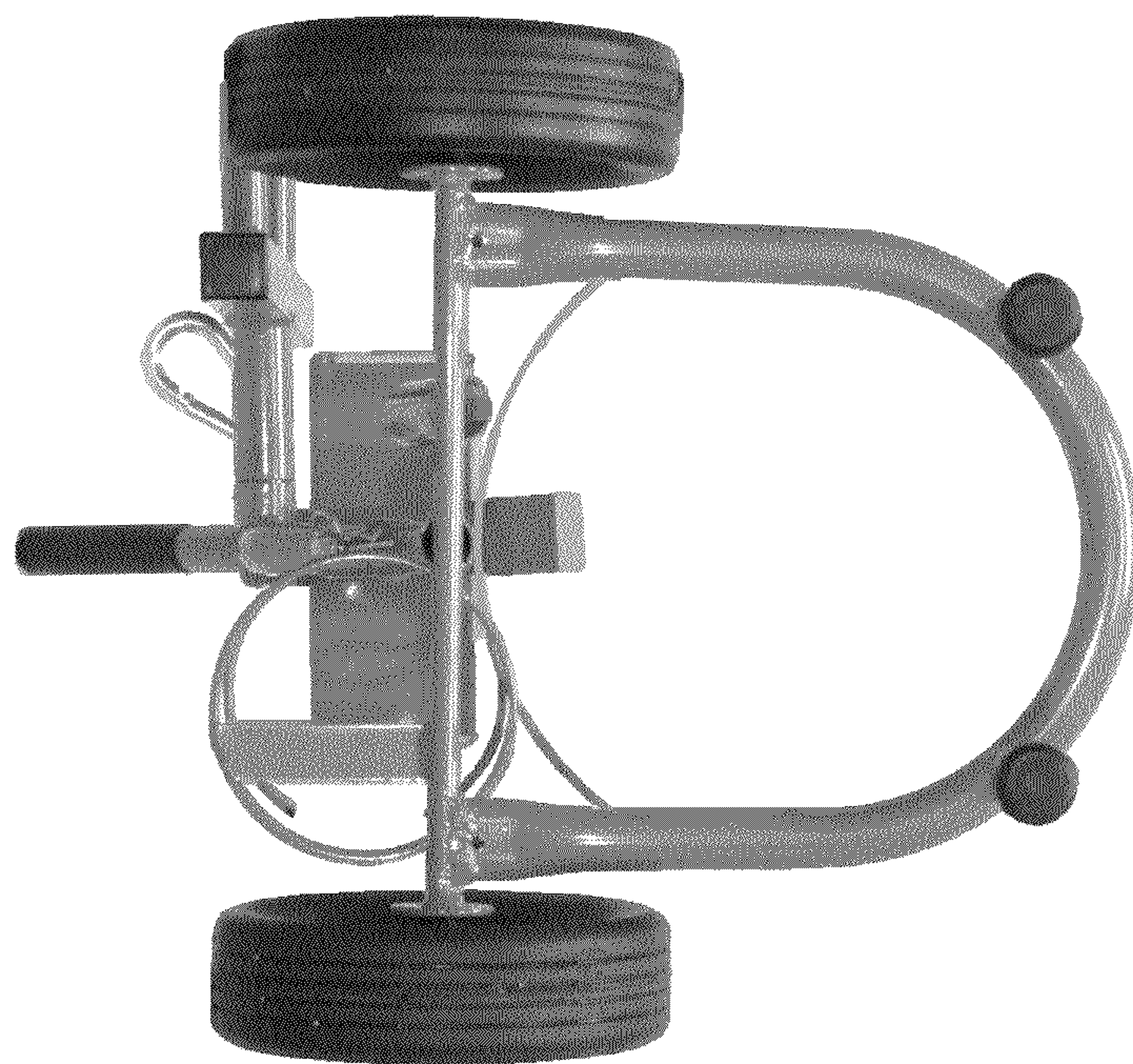


FIG 5

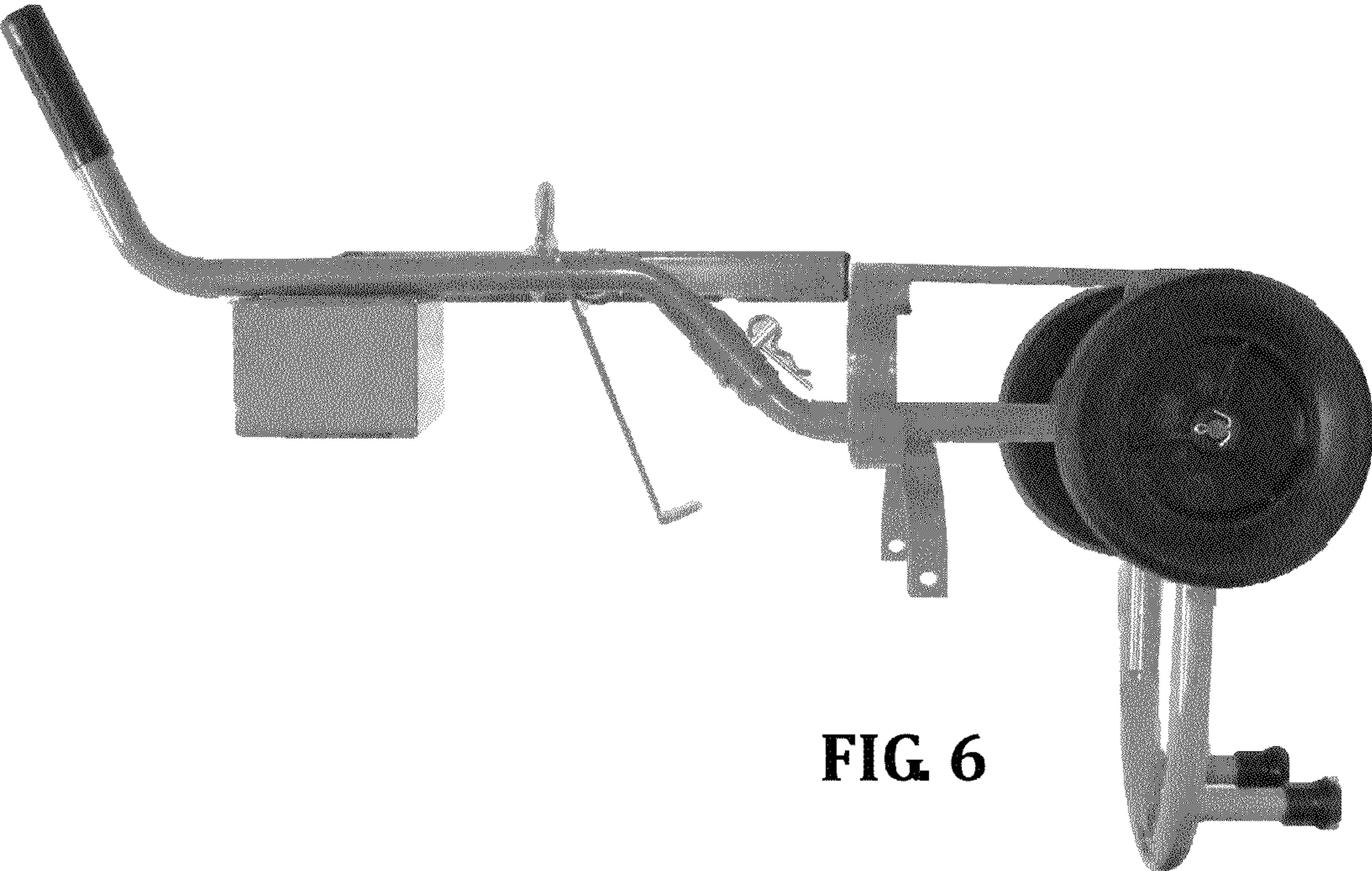


FIG. 6

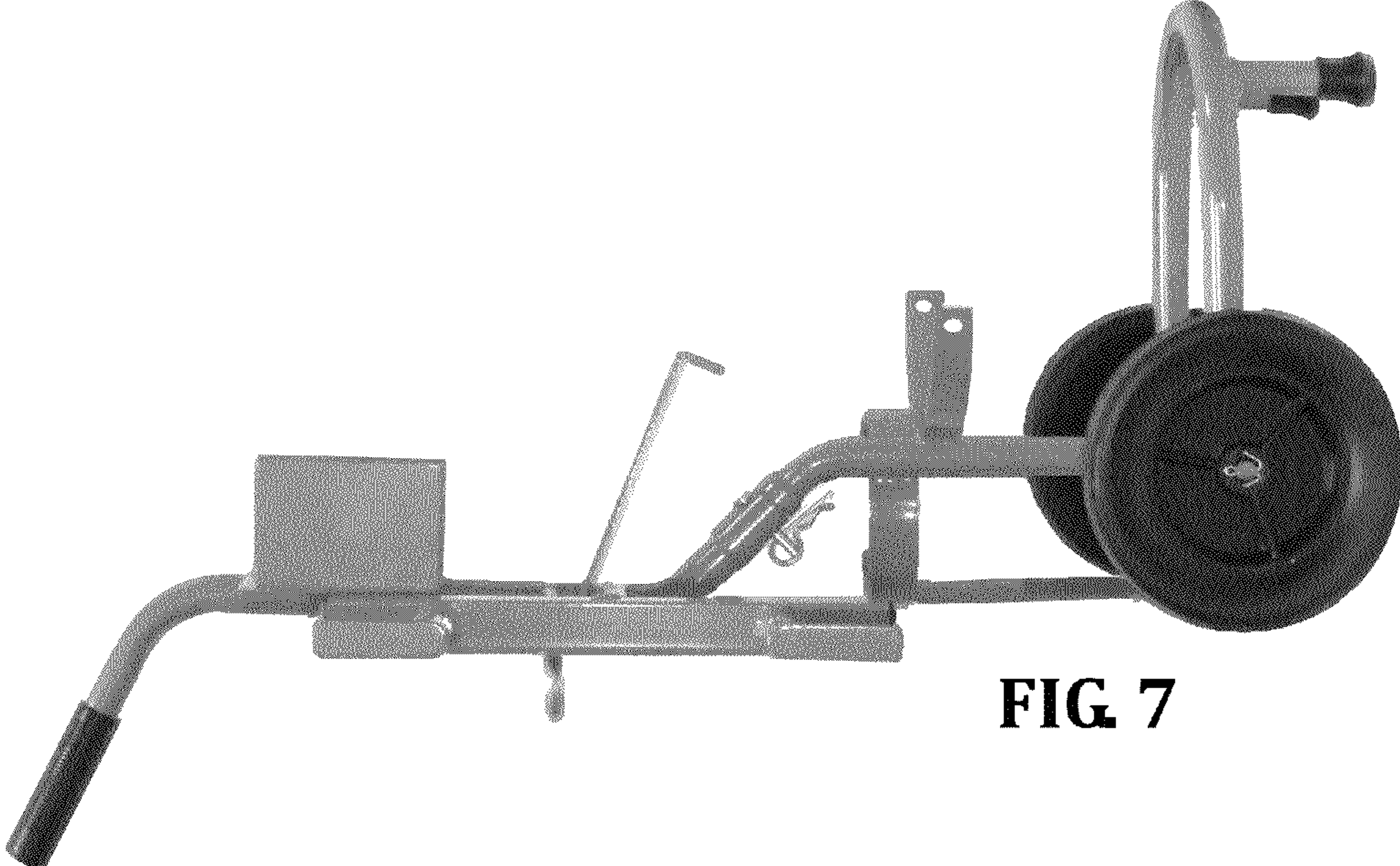


FIG. 7



FIG. 8