



US00D732256S

(12) **United States Design Patent**  
**Huang**

(10) **Patent No.:** **US D732,256 S**

(45) **Date of Patent:** **\*\* Jun. 16, 2015**

(54) **DISH RACK**

D586,061 S 2/2009 Curtin  
D589,222 S 3/2009 Gicela et al.  
D599,067 S 8/2009 Yang et al.

(75) Inventor: **Jianming Huang**, Jiangmen, Guangdong (CN)

(Continued)

(73) Assignee: **Anho Houseware Co., Ltd. (Jiangmen)**, Jiangmen, Guangdong (CN)

*Primary Examiner* — George D Kirschbaum  
*Assistant Examiner* — Kendra L Hamilton  
(74) *Attorney, Agent, or Firm* — Faegre Baker Daniels LLP

(\*\*) Term: **14 Years**

(57) **CLAIM**

(21) Appl. No.: **29/427,987**

I claim the ornamental design of the dish rack, as shown and described.

(22) Filed: **Jul. 24, 2012**

**DESCRIPTION**

(30) **Foreign Application Priority Data**

Mar. 26, 2012 (CN) ..... 2012 3 0076566

(51) **LOC (10) Cl.** ..... **07-05**

(52) **U.S. Cl.**  
USPC ..... **D32/55**

(58) **Field of Classification Search**  
USPC ..... D32/55, 58, 3, 276; D30/133; 312/311,  
312/334.4; 134/135, 25.2; 211/41.3, 41.4,  
211/41.5, 41.6; 220/572; D6/525

CPC ..... A47L 15/503  
See application file for complete search history.

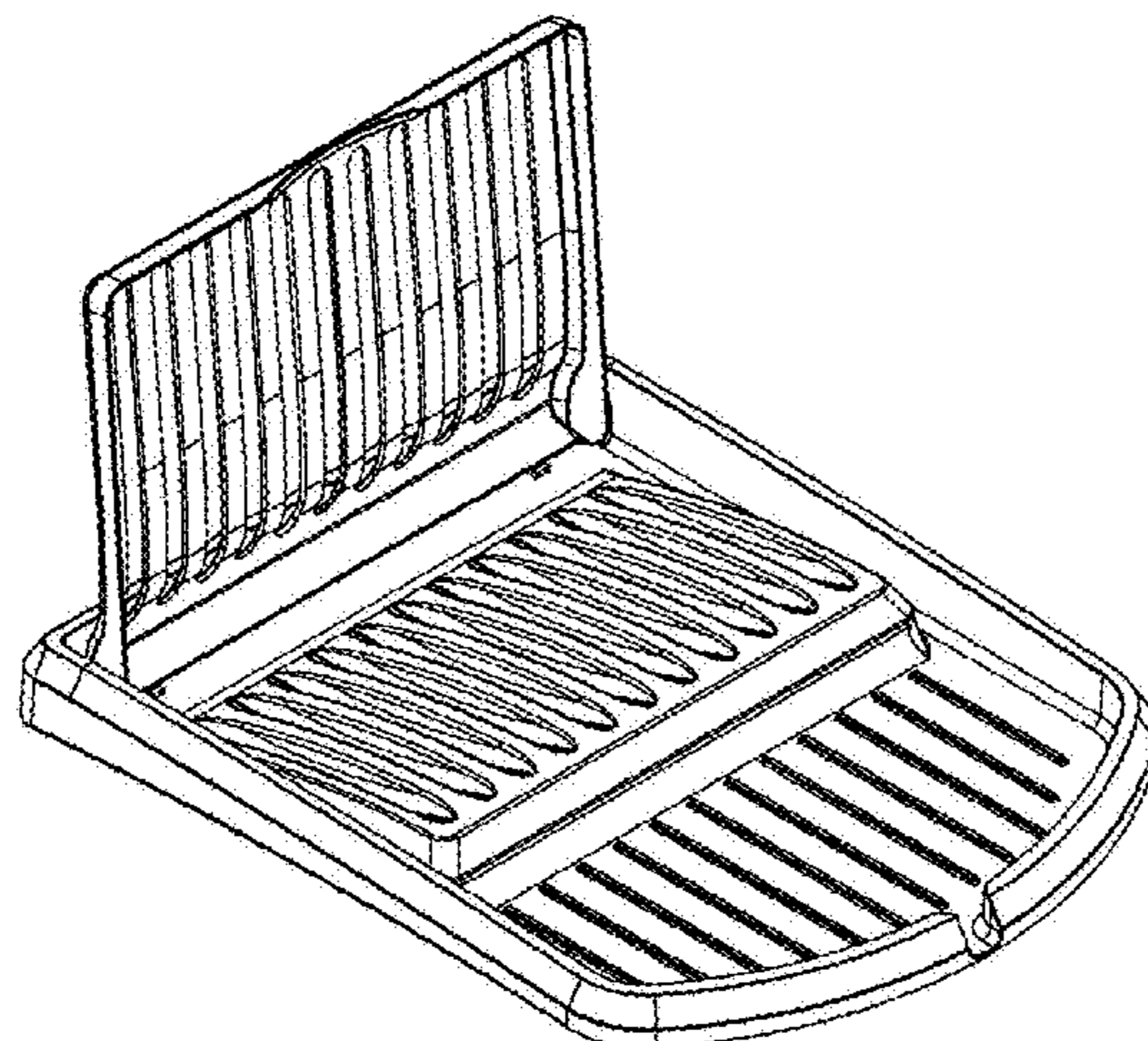
FIG. 1 is a front view of a dish rack in unfolded state according to the present application;  
FIG. 2 is a rear view of the dish rack in unfolded state according to the present application;  
FIG. 3 is a left view of the dish rack in unfolded state according to the present application;  
FIG. 4 is a top view of the dish rack in unfolded state according to the present application;  
FIG. 5 is a bottom view of the dish rack in unfolded state according to the present application;  
FIG. 6 is a perspective view of the dish rack in unfolded state according to the present application;  
FIG. 7 is a front view of the dish rack in folded state according to the present application;  
FIG. 8 is a rear view of the dish rack in folded state according to the present application;  
FIG. 9 is a left view of the dish rack in folded state according to the present application;  
FIG. 10 is a top view of the dish rack in folded state according to the present application;  
FIG. 11 is a perspective view of the dish rack in folded state according to the present application; and,  
FIG. 12 is a perspective view of the dish rack in working state according to the present application.  
The broken lines showing of dishes in FIG. 12 illustrate environmental structure that forms no part of the claimed design.

(56) **References Cited**

U.S. PATENT DOCUMENTS

3,387,315	A *	6/1968	Stata	15/215
D271,339	S *	11/1983	Lee	D32/55
D344,828	S *	3/1994	Adams	D32/56
D373,866	S	9/1996	Belden et al.	
D418,721	S *	1/2000	Goodman et al.	D7/624.1
D492,457	S	6/2004	Soroka	
D508,368	S *	8/2005	Lion et al.	D7/388
D520,699	S	5/2006	Yang et al.	
D530,461	S *	10/2006	Gibis et al.	D32/3
D534,701	S	1/2007	Schmidt	
D555,310	S	11/2007	Yang et al.	
D555,311	S	11/2007	Yang et al.	
D559,491	S	1/2008	Yang et al.	
7,407,059	B2	8/2008	Sullivan et al.	
D581,619	S	11/2008	Yang et al.	

**1 Claim, 6 Drawing Sheets**



(56)

**References Cited**

U.S. PATENT DOCUMENTS

D599,068 S 8/2009 Yang et al.  
D599,519 S 9/2009 Cohen  
D634,089 S \* 3/2011 Wisniewski ..... D32/55  
D647,678 S 10/2011 Yang et al.

D670,882 S 11/2012 Meredith  
D678,010 S \* 3/2013 Sudmalis ..... D7/698  
D693,081 S \* 11/2013 Yang et al. .... D32/55  
D707,004 S \* 6/2014 Levy et al. .... D32/57  
2008/0149644 A1\* 6/2008 Piacenza et al. .... 220/572  
2011/0290747 A1\* 12/2011 Affonso ..... 211/41.3  
2014/0263111 A1\* 9/2014 Micek et al. .... 211/41.6

\* cited by examiner

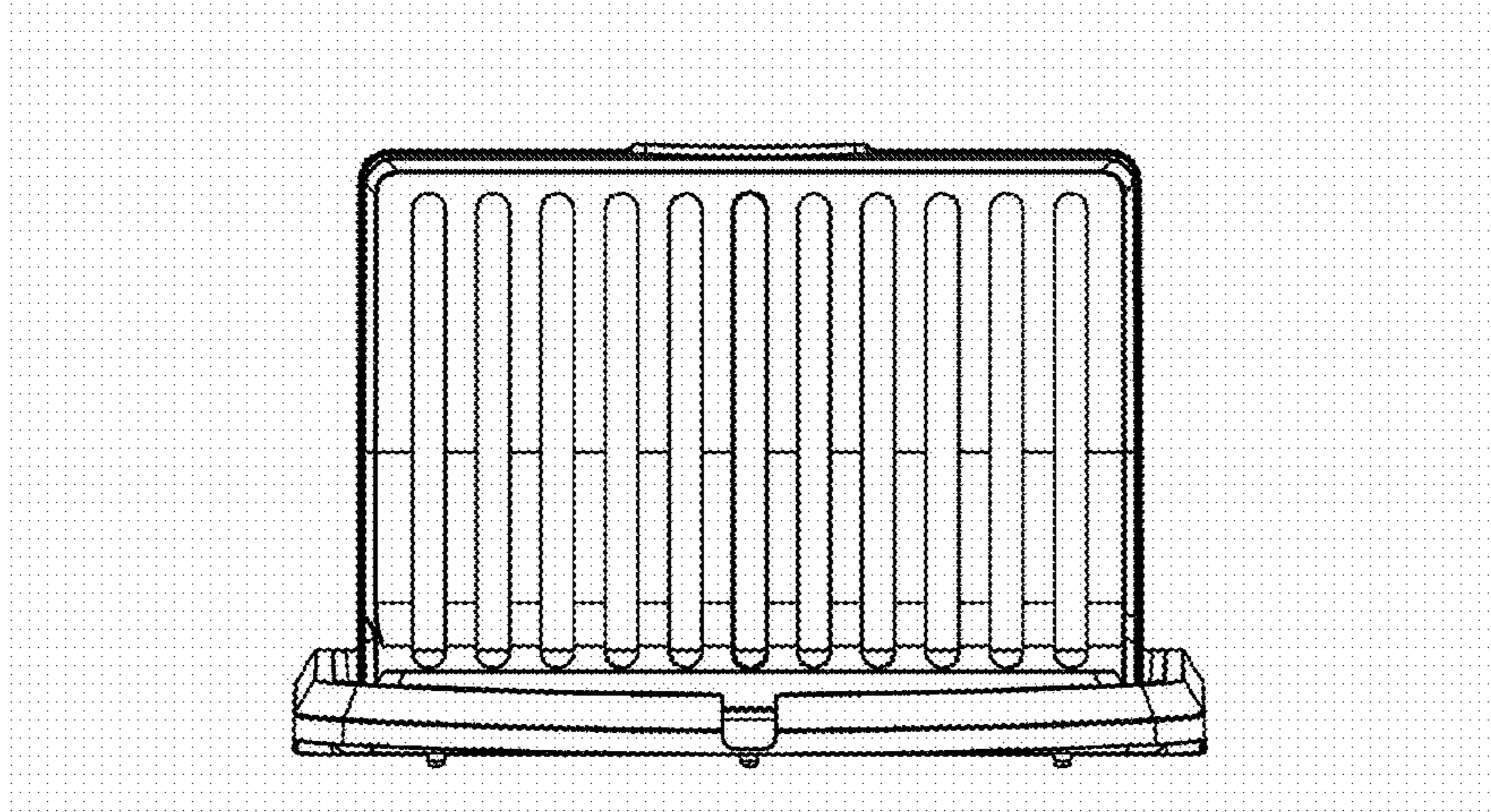


Figure 1

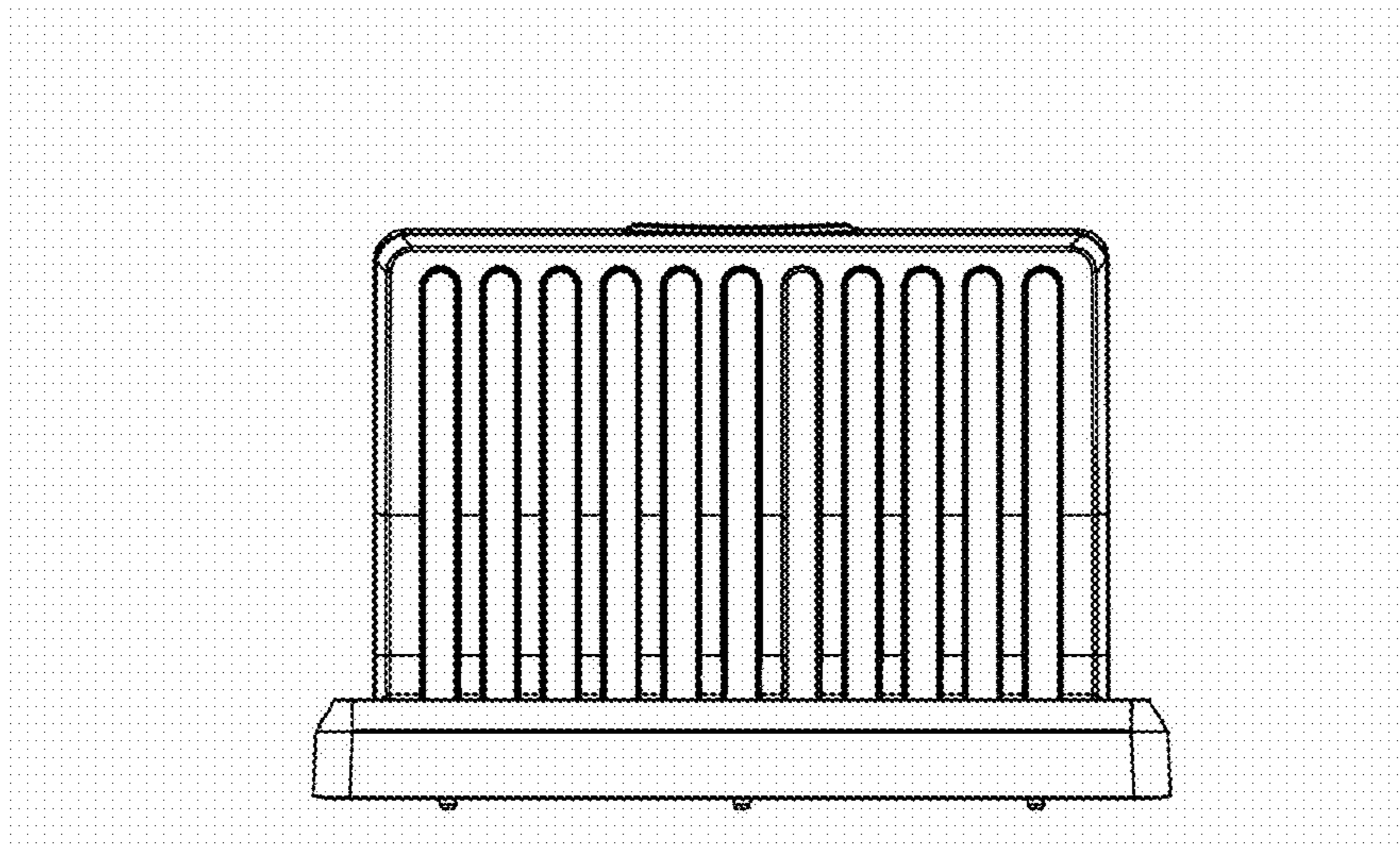


Figure 2

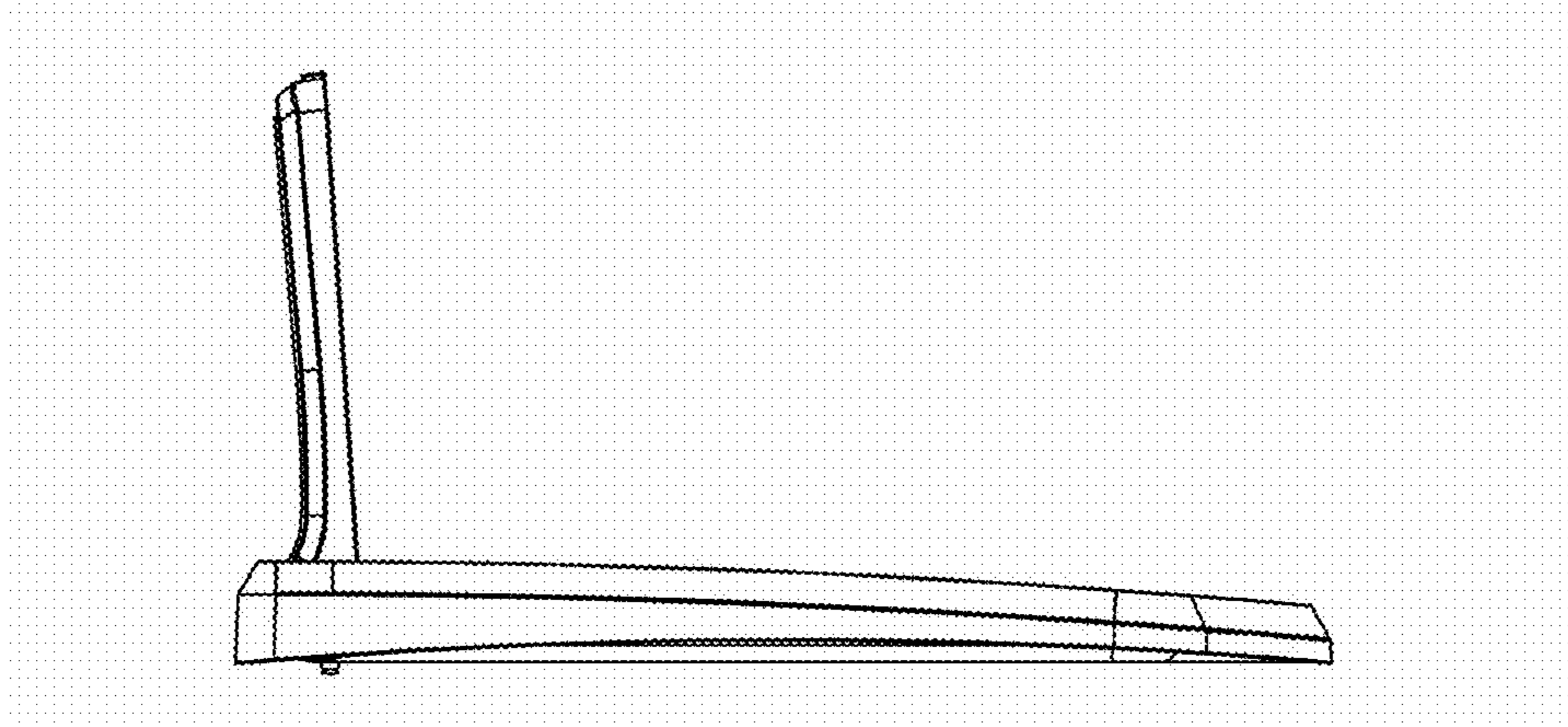


Figure 3

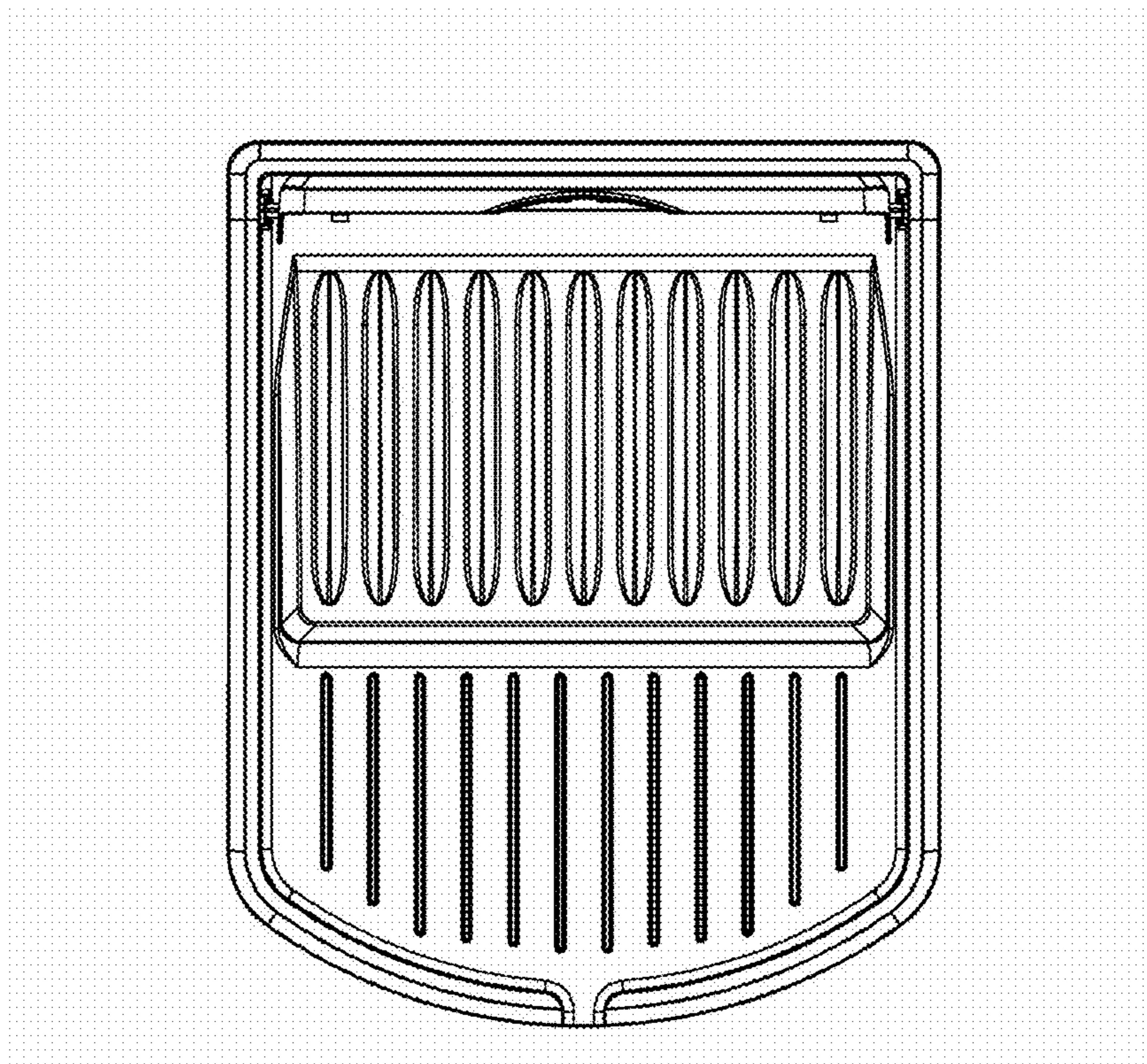


Figure 4

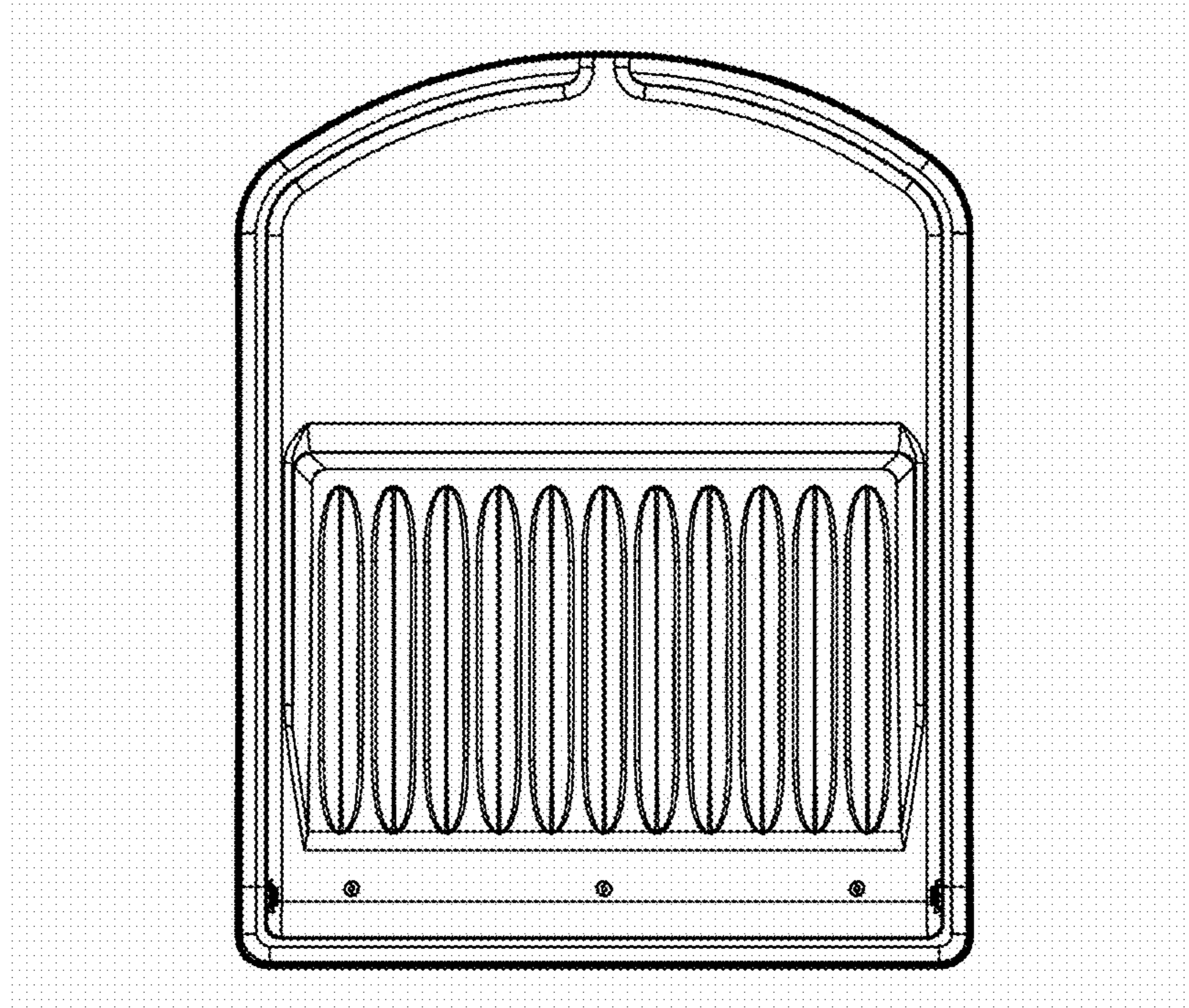


Figure 5

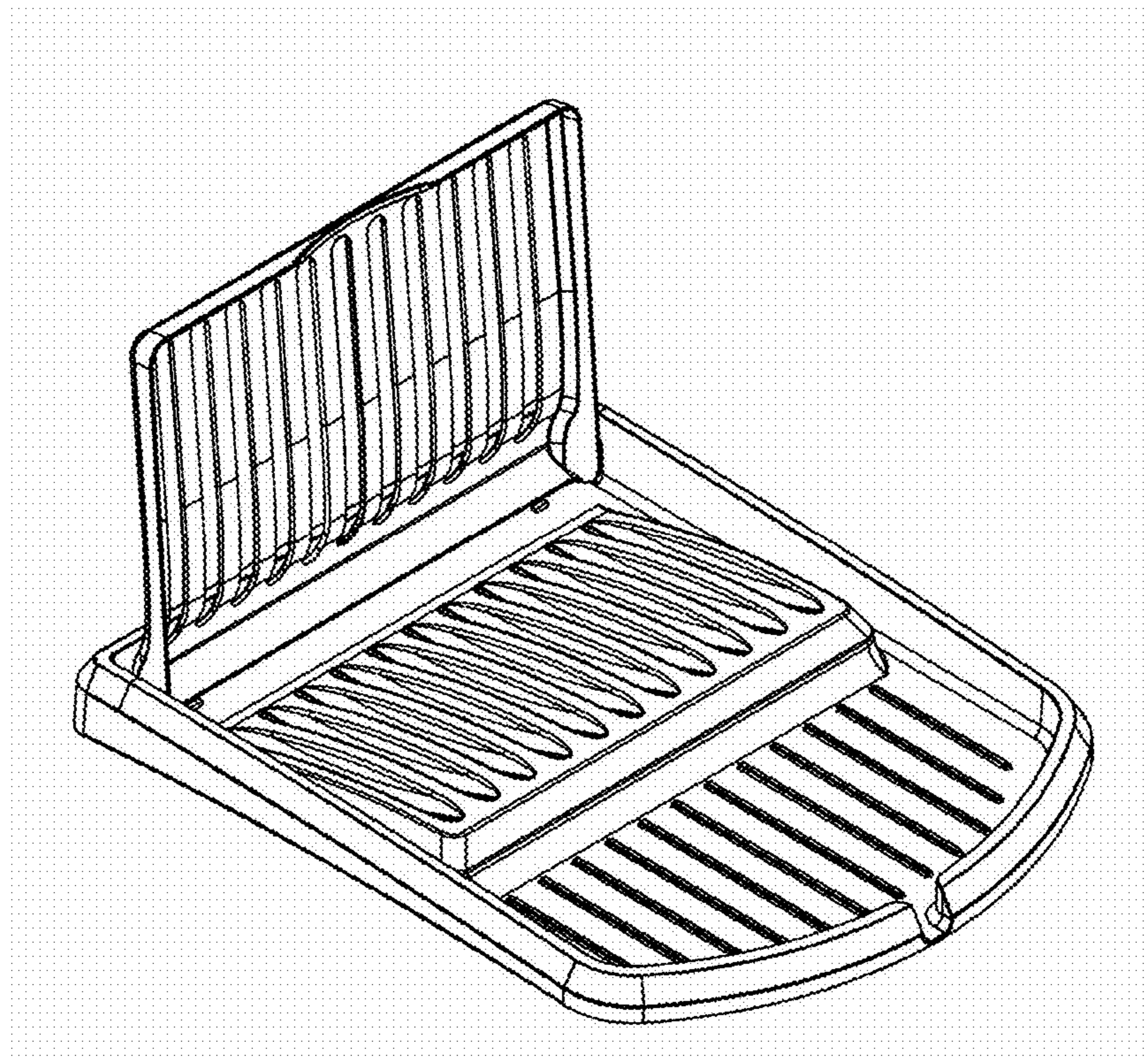


Figure 6

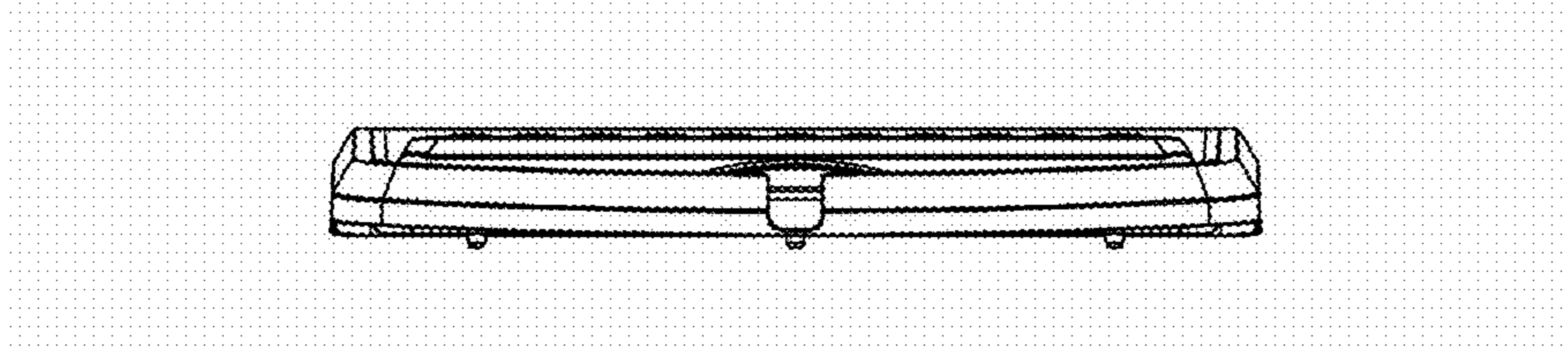


Figure 7

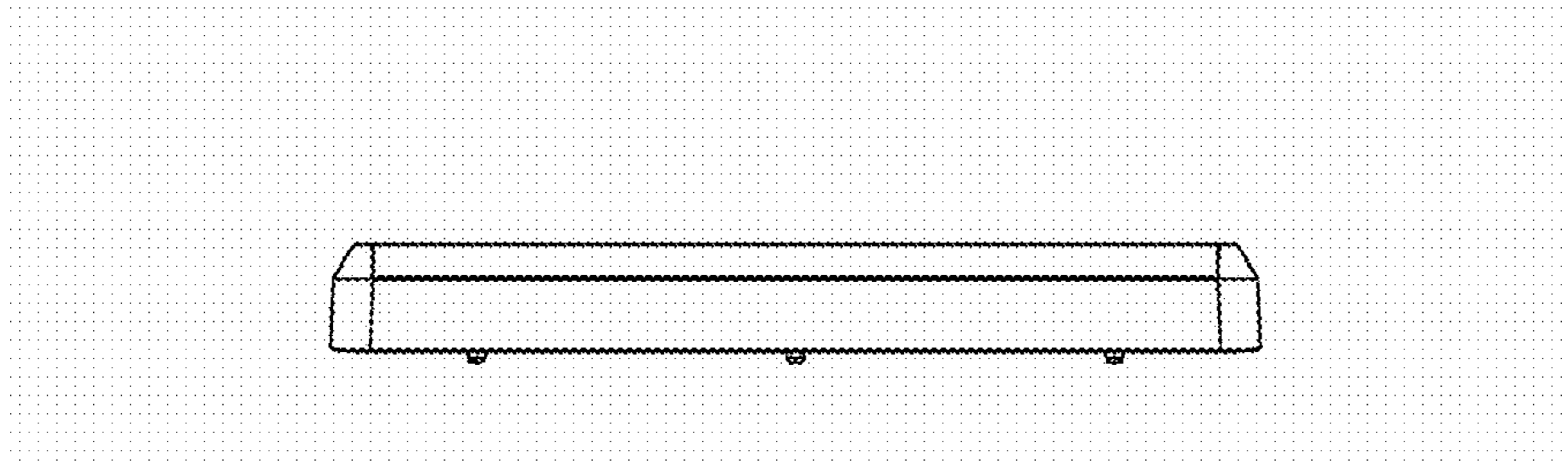


Figure 8

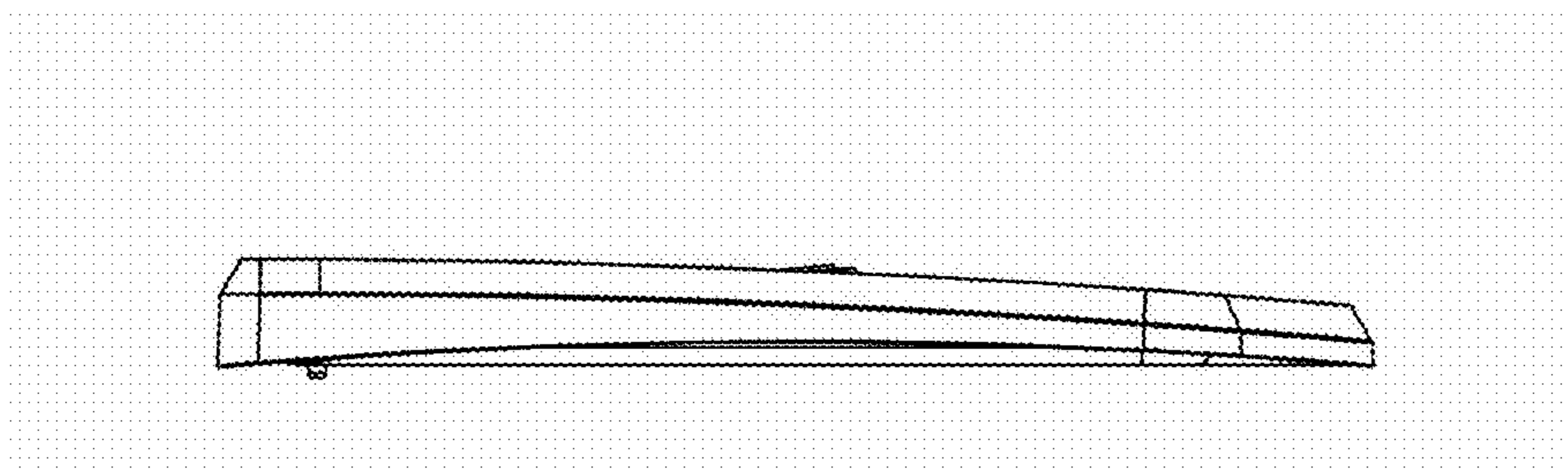


Figure 9

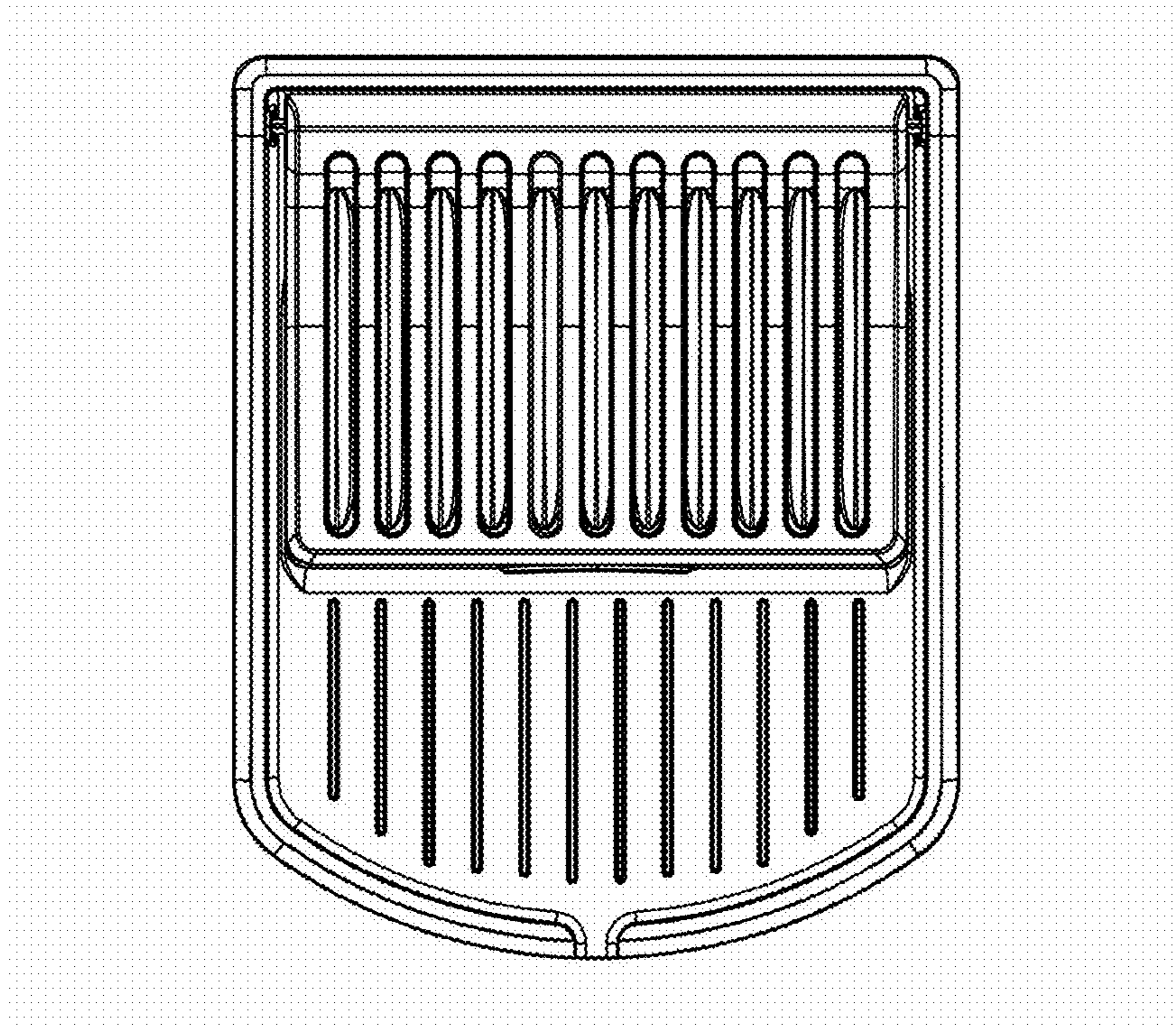


Figure 10

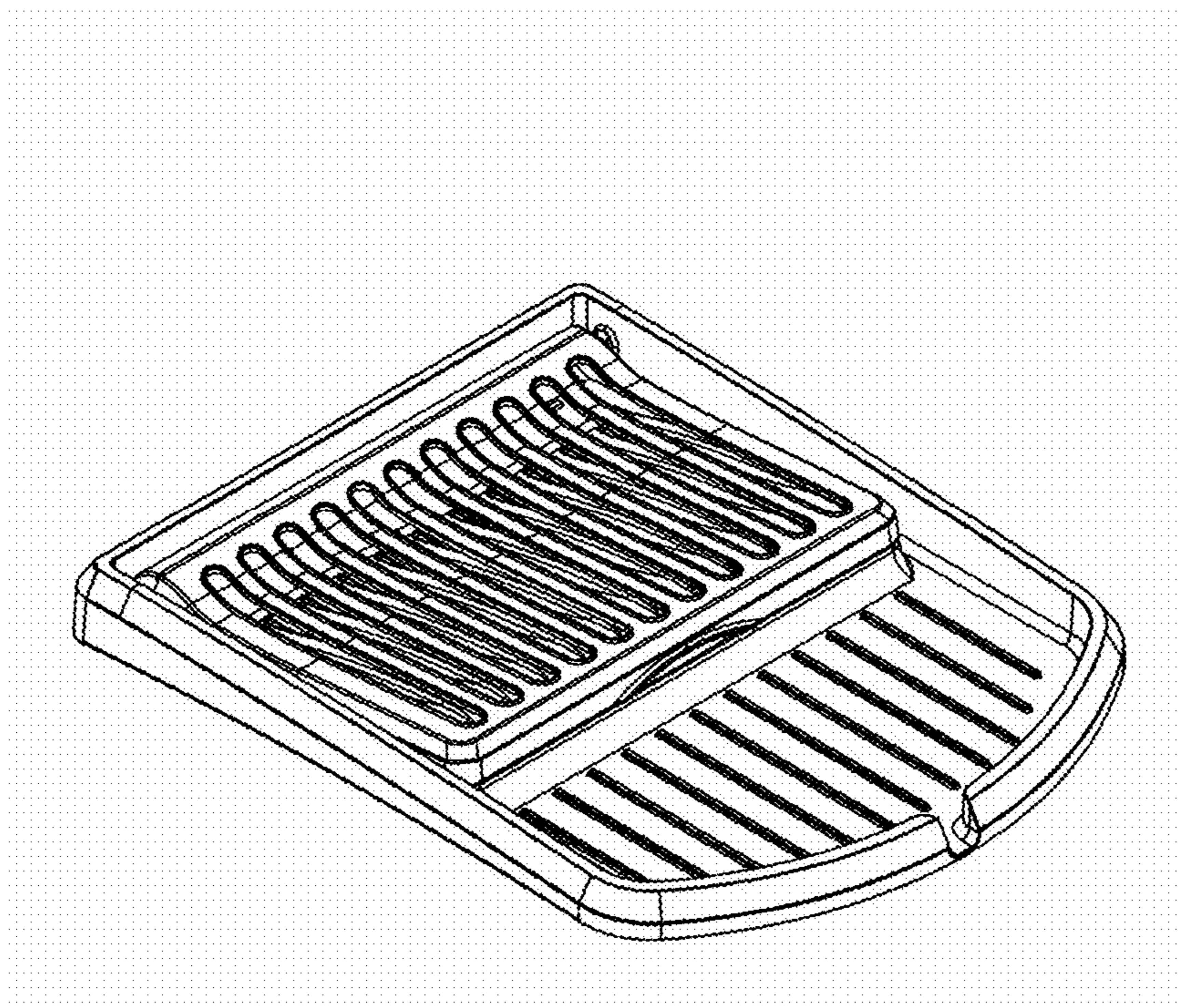


Figure 11

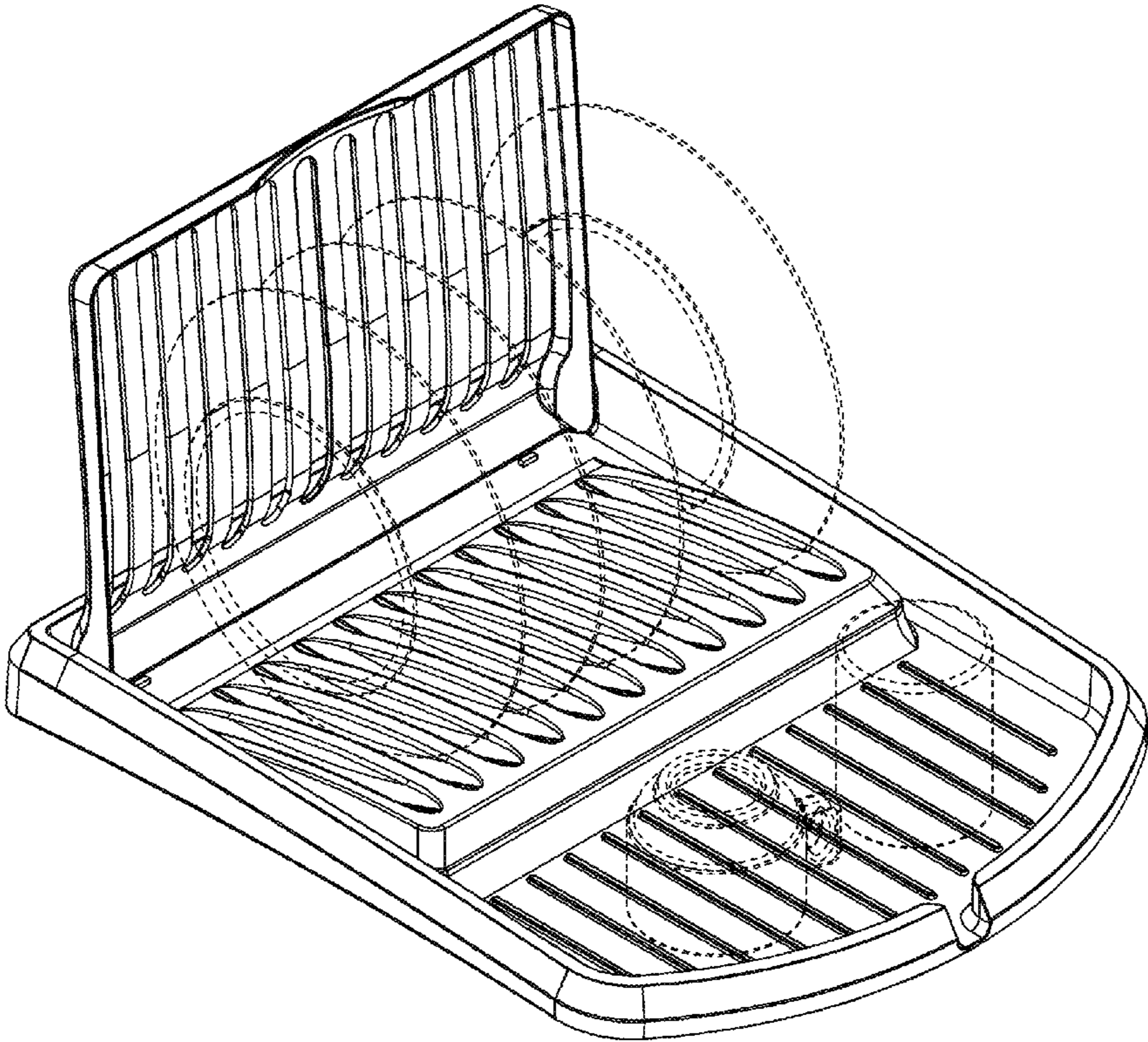


Figure 12