



US00D732252S

(12) **United States Design Patent**  
**Leung**

(10) **Patent No.:** **US D732,252 S**  
(45) **Date of Patent:** **\*\* Jun. 16, 2015**

(54) **HAND-HELD VACUUM CLEANER**

(56) **References Cited**

(71) Applicant: **Hans-Ulrich Petermann Beratungs- und Vertriebs GmbH & Co. KG**, Seefeld, DE (US)

(72) Inventor: **Kwok Hung Leung**, Kowloon (HK)

(73) Assignee: **Hans-Ulrich Petermann Beratungs- und Vertriebs GmbH & Co. KG**, Seefeld (DE)

(\*\*) Term: **14 Years**

(21) Appl. No.: **29/481,947**

(22) Filed: **Feb. 12, 2014**

(30) **Foreign Application Priority Data**

Aug. 12, 2013 (EM) ..... 001380315-0001  
Aug. 12, 2013 (EM) ..... 001380315-0002

(51) **LOC (10) Cl.** ..... **15-05**

(52) **U.S. Cl.**  
USPC ..... **D32/18**

(58) **Field of Classification Search**  
USPC ..... D32/17, 18, 31, 21, 23-24; 15/320, 15/344, 329, 347, 327.1, 327.2, 327.5, 15/327.6, 327.7, 352-353, DIG. 1, DIG. 8; 55/337, 429, 345, DIG. 3, 459.1

See application file for complete search history.

U.S. PATENT DOCUMENTS

D314,846	S	*	2/1991	deBlois	.....	D32/18
D315,622	S	*	3/1991	deBlois et al.	.....	D32/18
5,099,545	A	*	3/1992	Krasznai et al.	.....	15/344
D401,021	S	*	11/1998	Stephens et al.	.....	D32/18
D404,857	S	*	1/1999	Ng	.....	D32/18
D432,743	S	*	10/2000	Santiago	.....	D32/18
D515,258	S	*	2/2006	Robson	.....	D32/18
D696,825	S	*	12/2013	Sweeney et al.	.....	D32/18

\* cited by examiner

*Primary Examiner* — Ruth McInroy

(74) *Attorney, Agent, or Firm* — Panitch Schwarze Belisario & Nadel LLP

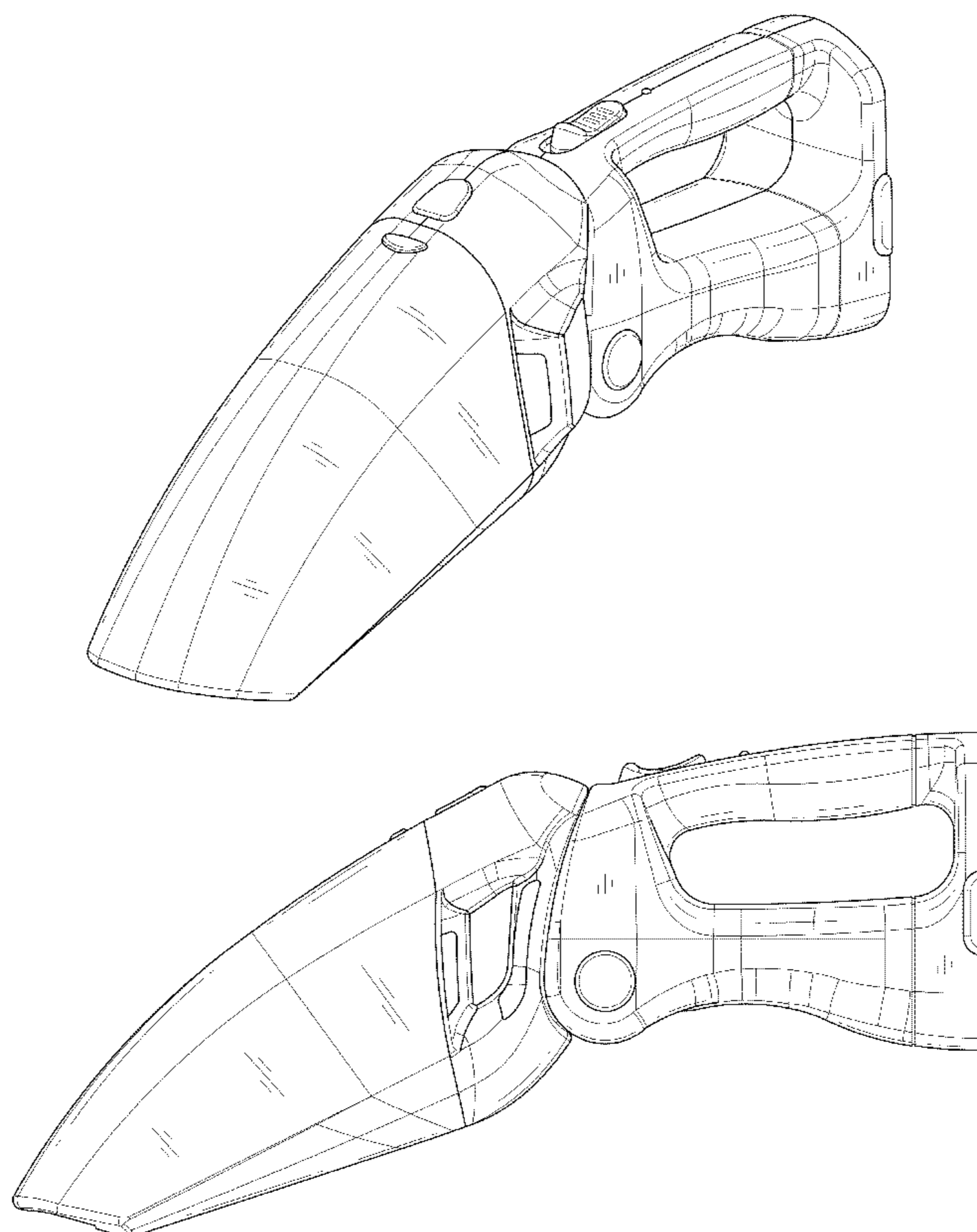
(57) **CLAIM**

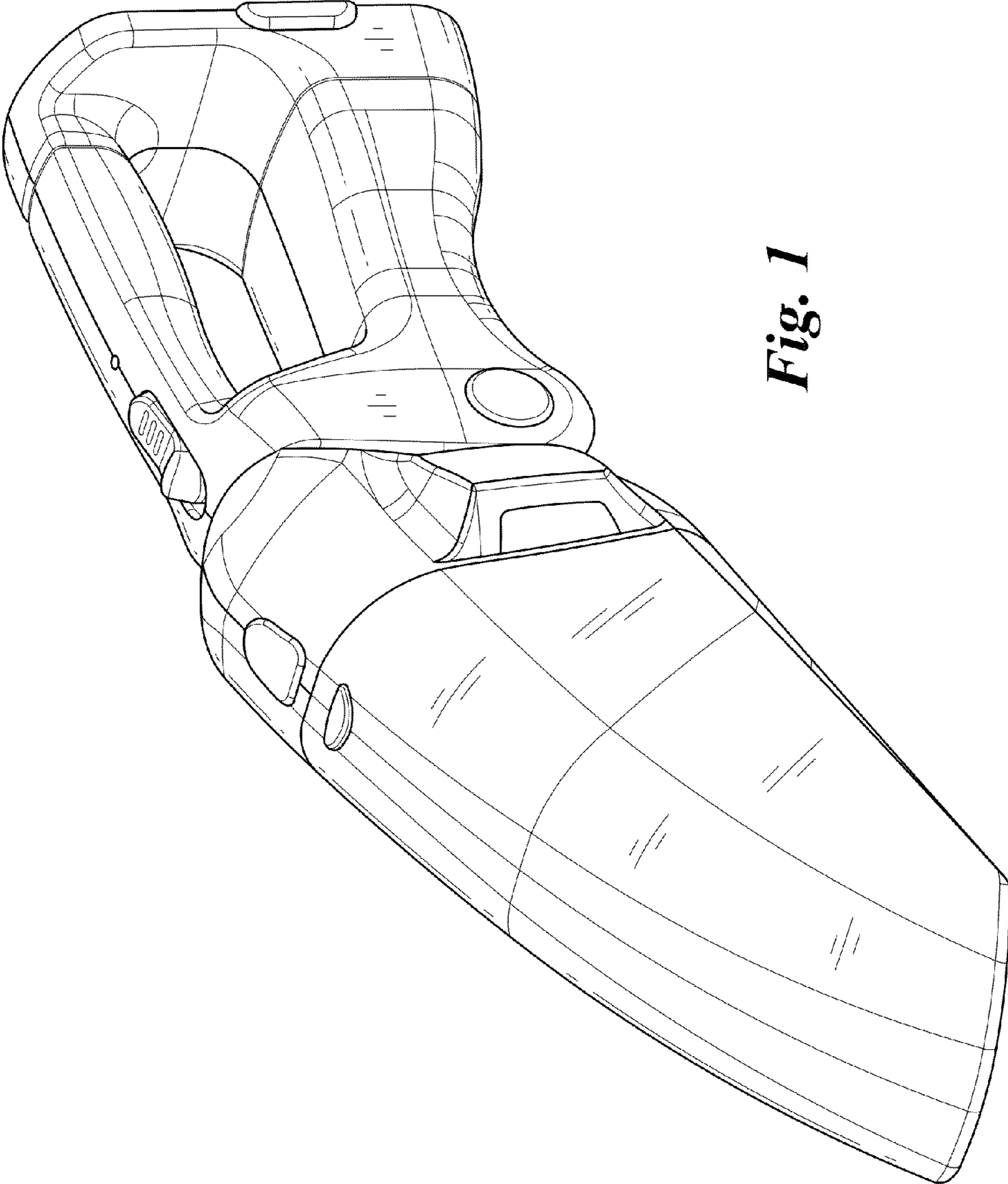
The ornamental design for a hand-held vacuum cleaner, as shown and described.

**DESCRIPTION**

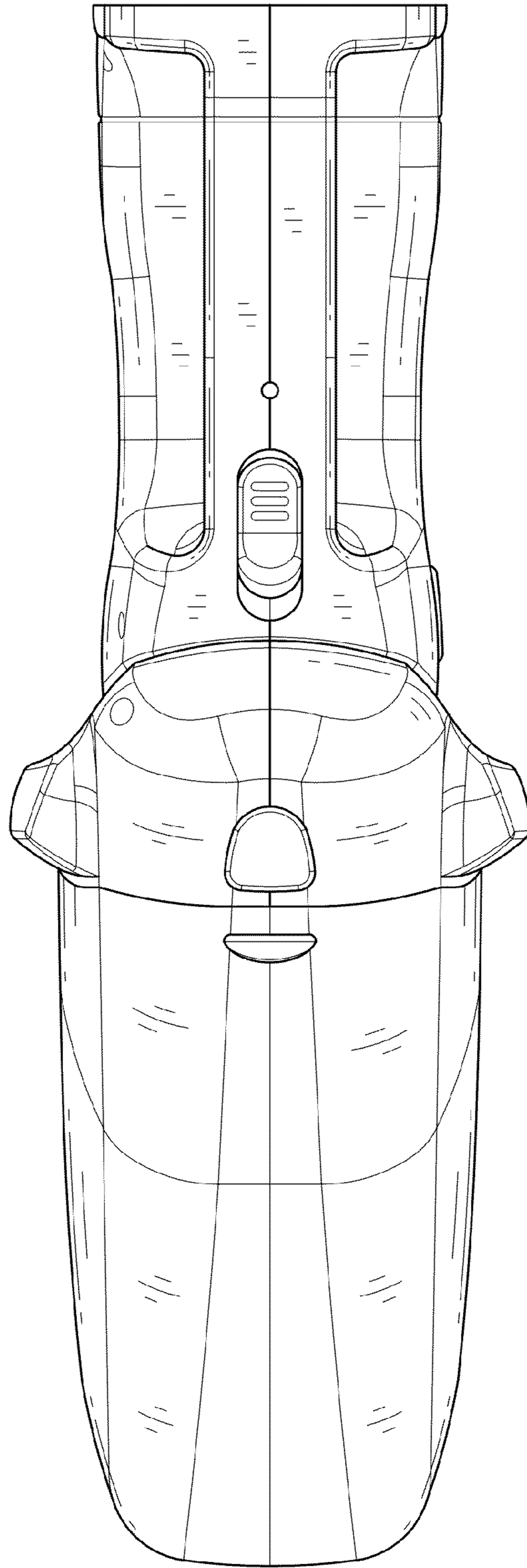
FIG. 1 is a top, front and left side perspective view of a hand-held vacuum cleaner showing my new design;  
FIG. 2 is a top plan view thereof;  
FIG. 3 is a bottom view thereof;  
FIG. 4 is a left side elevation view thereof;  
FIG. 5 is a right side elevation view thereof; and,  
FIG. 6 is a front, photo perspective elevation view of the design.

**1 Claim, 6 Drawing Sheets**

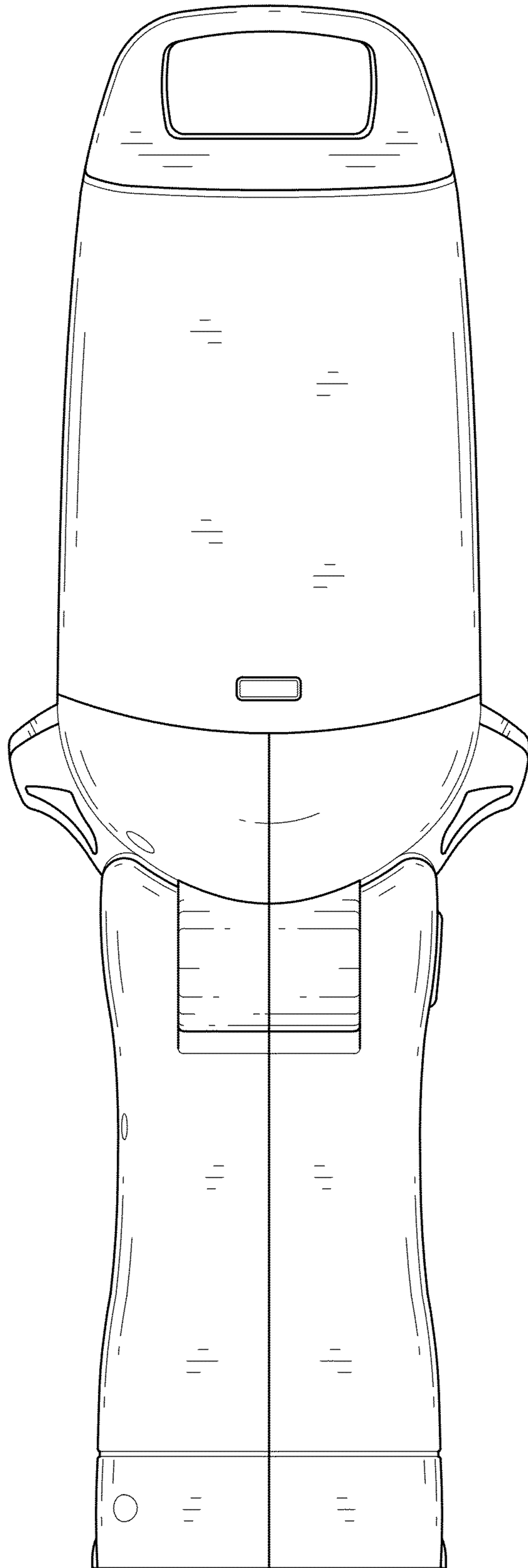




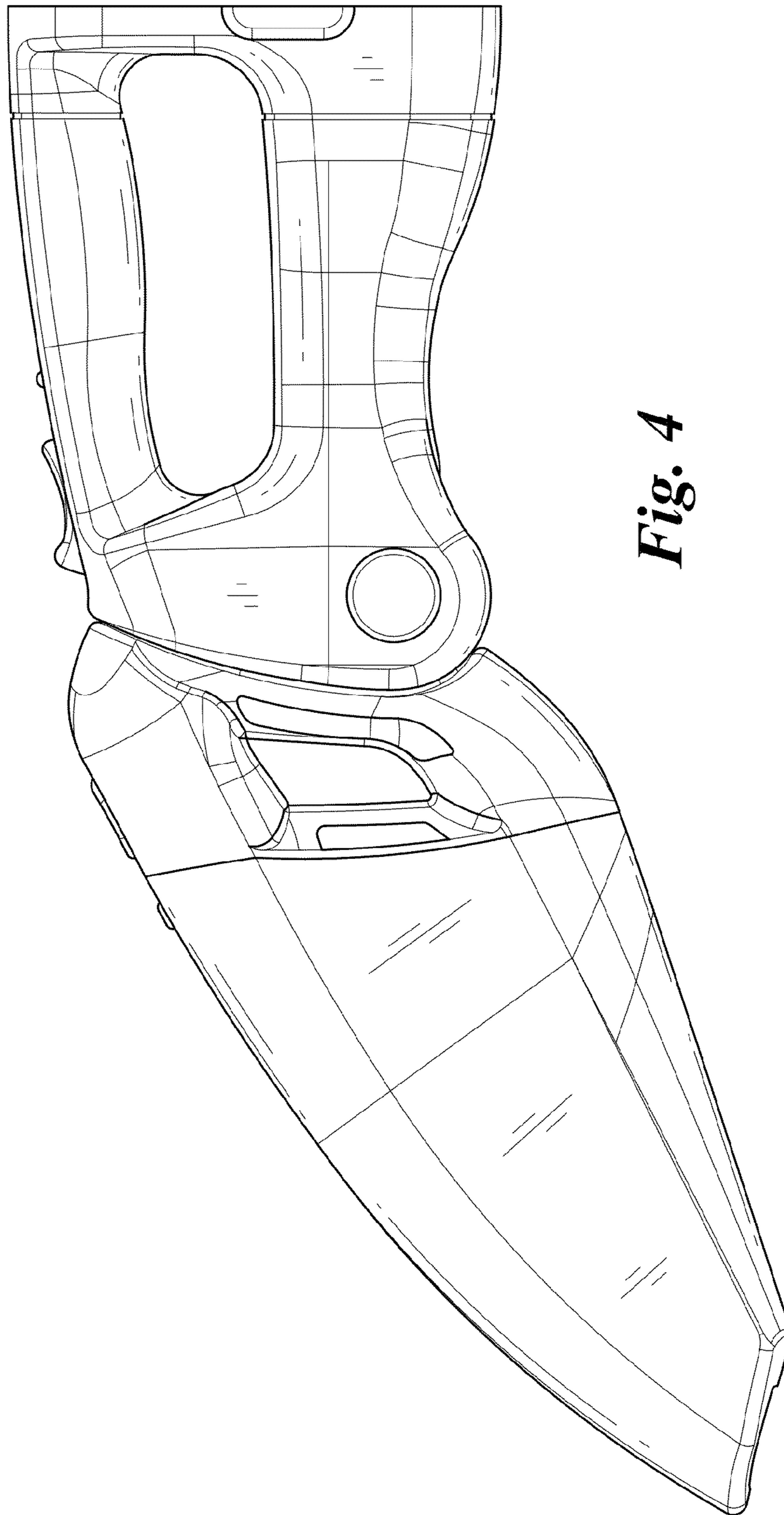
*Fig. 1*



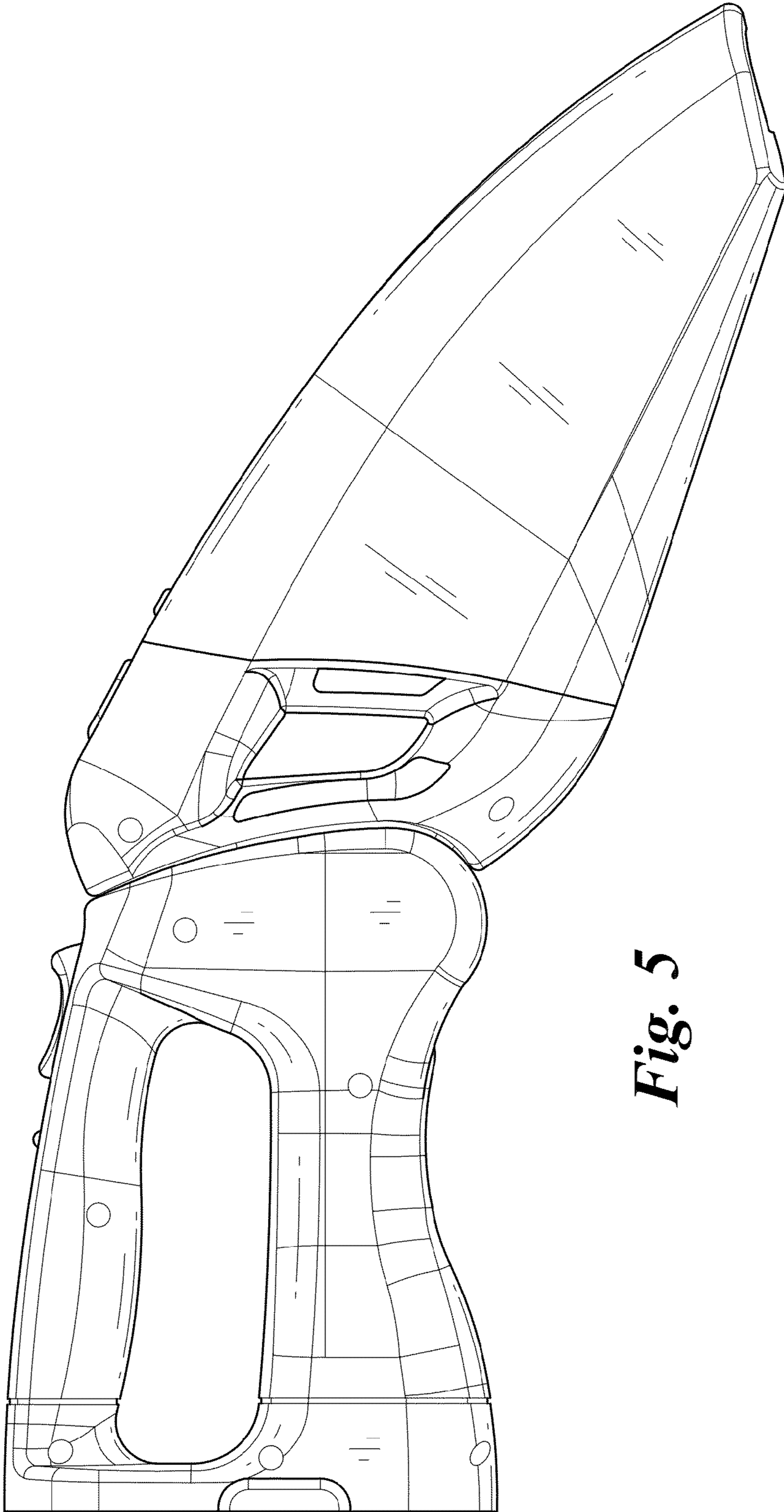
*Fig. 2*



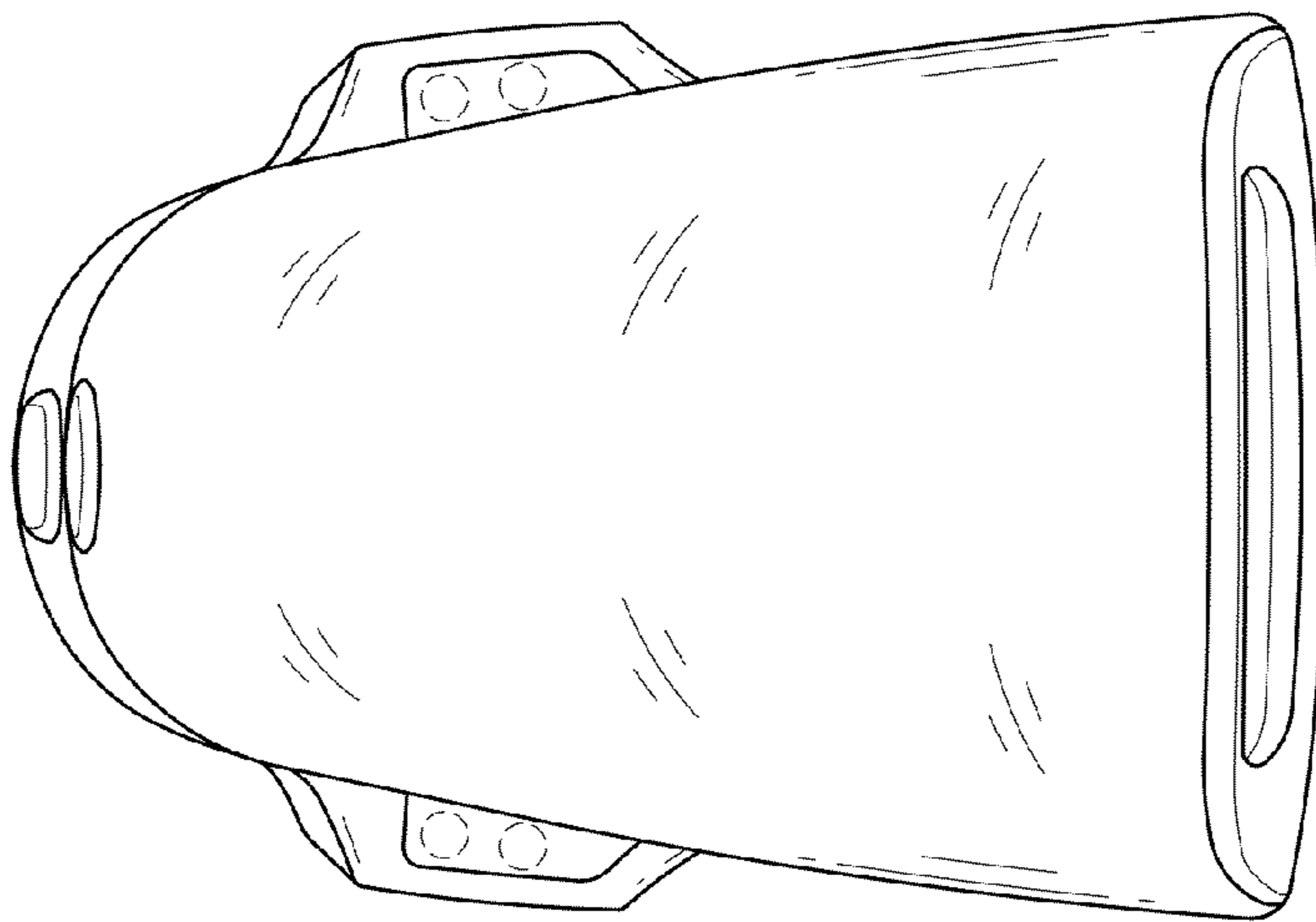
*Fig. 3*



*Fig. 4*



*Fig. 5*



*Fig. 6*