



US00D732243S

(12) **United States Design Patent**  
**Votel et al.**

(10) **Patent No.:** **US D732,243 S**  
(45) **Date of Patent:** **\*\* Jun. 16, 2015**

- (54) **BRIM WITH NECK SHADE**
- (71) Applicants: **Thomas Votel**, Sunfish Lake, MN (US);  
**Adria Hardy**, Columbia Heights, MN (US)
- (72) Inventors: **Thomas Votel**, Sunfish Lake, MN (US);  
**Adria Hardy**, Columbia Heights, MN (US)

(\*\*) Term: **14 Years**

(21) Appl. No.: **29/432,686**

(22) Filed: **Sep. 19, 2012**

(51) **LOC (10) Cl.** ..... **02-03**

(52) **U.S. Cl.**  
USPC ..... **D29/122; D2/893**

(58) **Field of Classification Search**  
USPC ..... D2/865, 866, 872, 873, 878, 879, 882,  
D2/886, 888, 890, 891, 893; 2/171.03,  
2/171.1, 171.3, 171.4, 171.5, 171.6,  
2/171.7, 171.8, 172, 184.5, 206, 207,  
2/209.11, 209.12, 209.13, 175.1, 175.2,  
2/175.3, 175.5, 175.6, 195.1, 195.7, 10,  
2/6.1, 6.3, 6.5, 6.7, 63, 181.4, 205, 410,  
2/422, 424; D29/102, 103, 104, 105,  
D29/106, 107, 122, 108, 109, 110

See application file for complete search history.

(56) **References Cited**

**U.S. PATENT DOCUMENTS**

1,097,255	A *	5/1914	Muhlfeld	.....	2/181
1,609,715	A *	12/1926	Hess	.....	2/181.4
2,025,772	A *	12/1935	Punton	.....	2/5
2,495,041	A *	1/1950	Weiss	.....	2/171.01
2,728,913	A *	1/1956	Connor	.....	2/10
3,055,012	A *	9/1962	Aileo	.....	2/410
3,205,508	A *	9/1965	Cox	.....	2/410
4,993,081	A *	2/1991	Fulghum	.....	2/209.12
D323,241	S *	1/1992	Neal	.....	D2/868
5,493,734	A *	2/1996	Nieves-Rivera	.....	2/209.13

D379,679	S *	6/1997	Poole	.....	D29/122
5,701,609	A *	12/1997	Bridges	.....	2/422
5,950,241	A *	9/1999	Gomez	.....	2/172
6,041,435	A *	3/2000	Paulson et al.	.....	2/10
6,260,204	B1 *	7/2001	Morrissey	.....	2/172
D524,517	S *	7/2006	Javits, Jr.	.....	D2/875
D525,413	S *	7/2006	Javits, Jr.	.....	D2/875
7,406,721	B2 *	8/2008	Husbands et al.	.....	2/172
D586,052	S *	2/2009	Elias	.....	D29/122
D617,539	S *	6/2010	Boles	.....	D2/893

(Continued)

**FOREIGN PATENT DOCUMENTS**

AU	107830	*	6/1990
AU	112552	*	10/1991

(Continued)

**OTHER PUBLICATIONS**

Hard Hat Shade (on-line), date first available Jun. 9, 2011. Retrieved from Internet Nov. 14, 2014, URL: [http://www.amazon.com/Hard-Shade-Style-Cotton-Khaki/dp/B006ZZTI7U/ref=pd\\_sim\\_hi\\_2?ie=UTF8&refRID=1HM5DQ89JCV7F7S6X41N](http://www.amazon.com/Hard-Shade-Style-Cotton-Khaki/dp/B006ZZTI7U/ref=pd_sim_hi_2?ie=UTF8&refRID=1HM5DQ89JCV7F7S6X41N) (2 pages).\*

*Primary Examiner* — Karen E. Eldridge Powers

*Assistant Examiner* — Kimberly Barnes

(74) *Attorney, Agent, or Firm* — Skaar Ulbrich Macari, PA

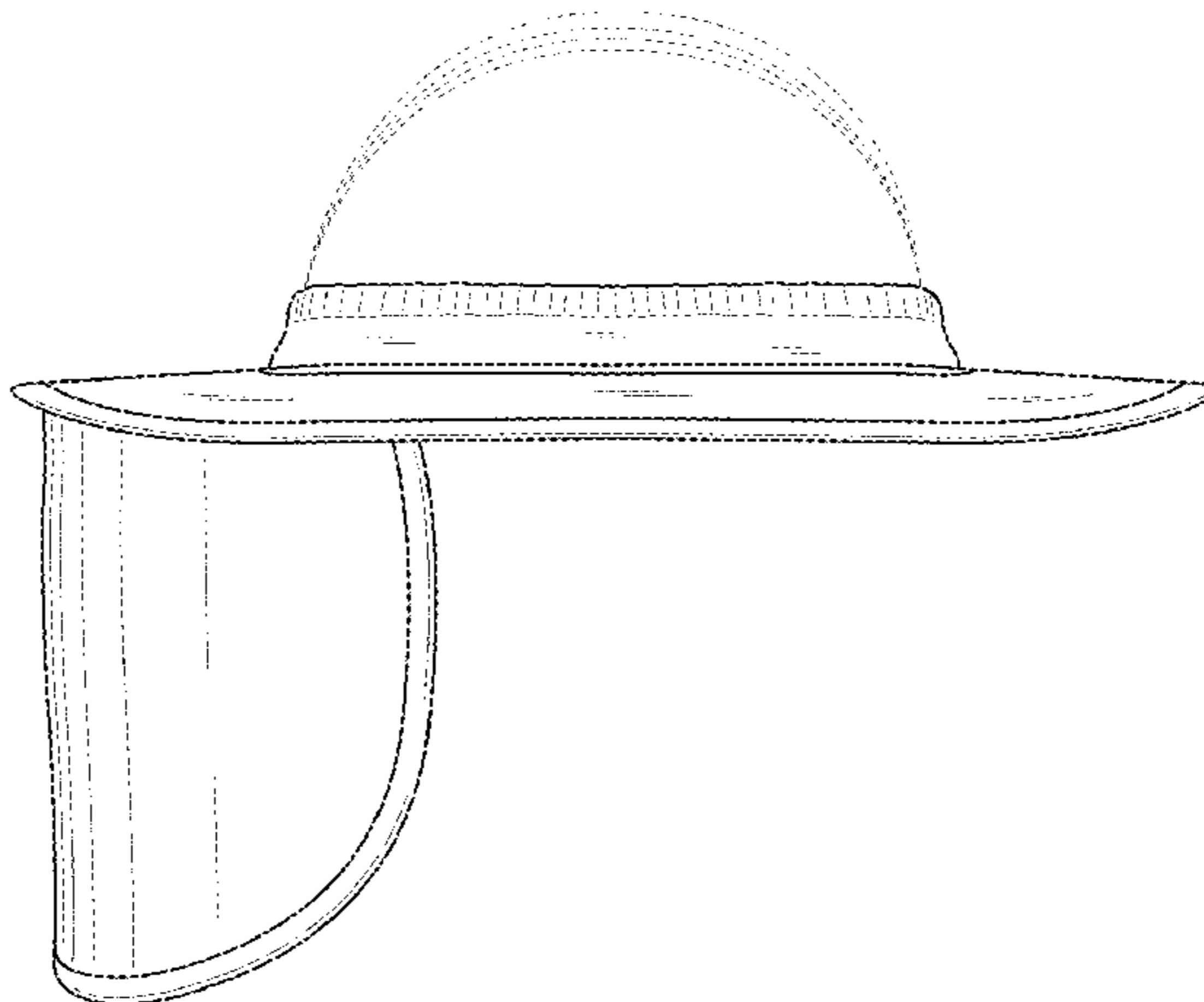
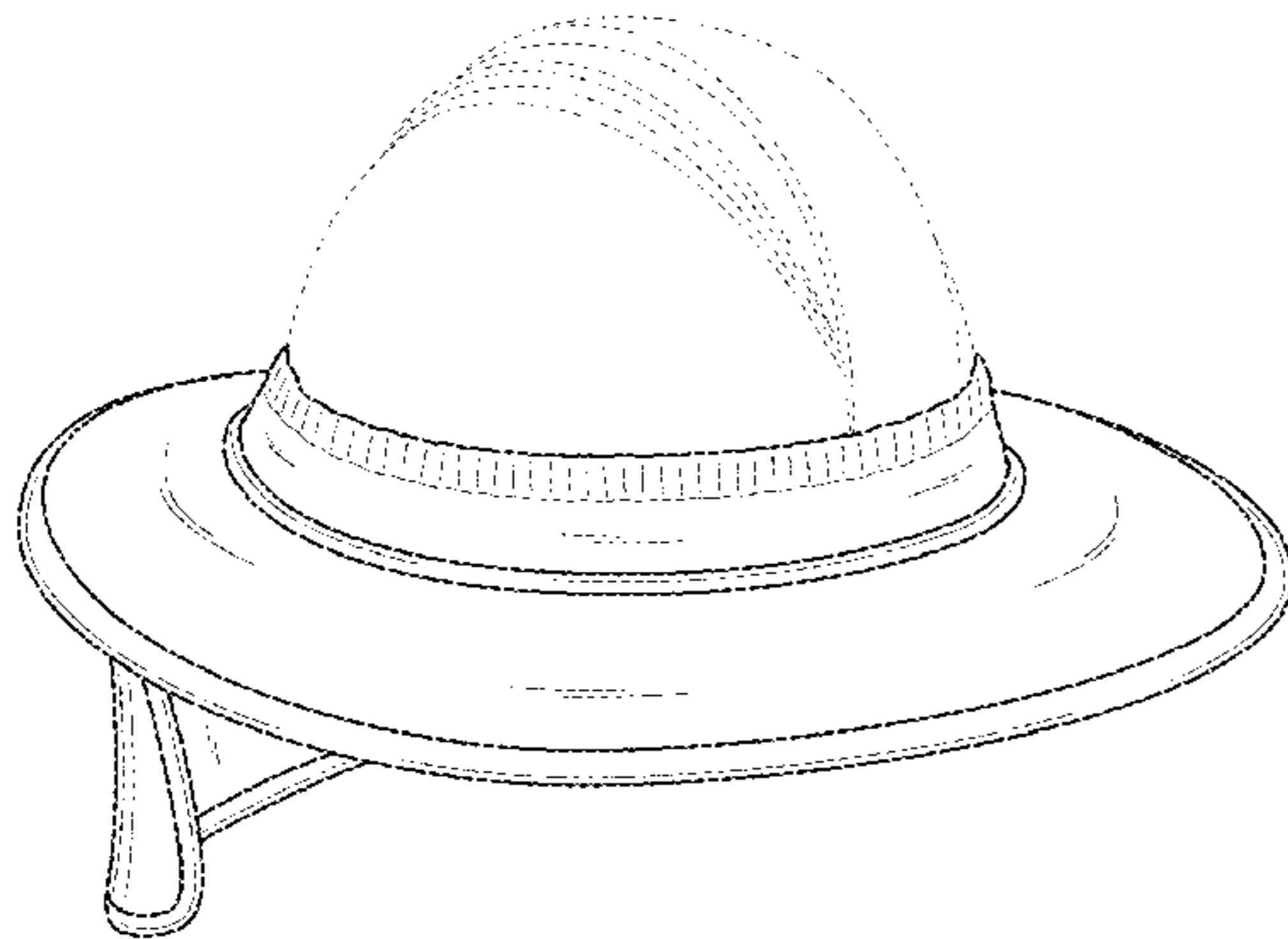
(57) **CLAIM**

We claim the ornamental design for a brim with neck shade, as shown and described.

**DESCRIPTION**

FIG. 1 is a front perspective view of our brim with neck shade; FIG. 2 is a left side elevation view thereof; FIG. 3 is a front elevation view thereof; FIG. 4 is a rear elevation view thereof; FIG. 5 is a top plan view thereof; and, FIG. 6 is a bottom plan view thereof. The broken lines appearing in the figures depict environmental subject matter that forms no part of the claimed design.

**1 Claim, 4 Drawing Sheets**



(56)

References Cited

U.S. PATENT DOCUMENTS

D619,788 S \* 7/2010 Lacy ..... D2/879  
D636,975 S \* 5/2011 Fountain ..... D2/876  
D638,205 S \* 5/2011 Castillo ..... D2/866  
D638,585 S \* 5/2011 Brown ..... D29/122  
7,971,278 B2 \* 7/2011 Klamerus, Jr. .... 2/209.13  
D643,157 S \* 8/2011 Grijalva ..... D29/122  
D659,292 S \* 5/2012 Bryan et al. .... D29/122  
8,209,781 B2 \* 7/2012 Krochmal ..... 2/422  
D666,366 S \* 8/2012 Votel et al. .... D29/122  
D670,891 S \* 11/2012 Bayley ..... D2/866  
D672,096 S \* 12/2012 Bryan et al. .... D29/122  
D688,034 S \* 8/2013 Hafif ..... D2/893

D696,462 S \* 12/2013 Saavedra ..... D29/105  
2006/0174396 A1 \* 8/2006 Rosas ..... 2/175.6  
2007/0050889 A1 \* 3/2007 Lee ..... 2/171  
2011/0094013 A1 \* 4/2011 Zumwalt et al. .... 2/172  
2012/0180193 A1 \* 7/2012 Curiel ..... 2/209.11  
2012/0210491 A1 \* 8/2012 Bryan et al. .... 2/181.4

FOREIGN PATENT DOCUMENTS

AU 133033 \* 2/1998  
AU 328525 \* 11/2009  
AU 336173 \* 4/2011  
EM 002174128-0001 \* 3/2013

\* cited by examiner

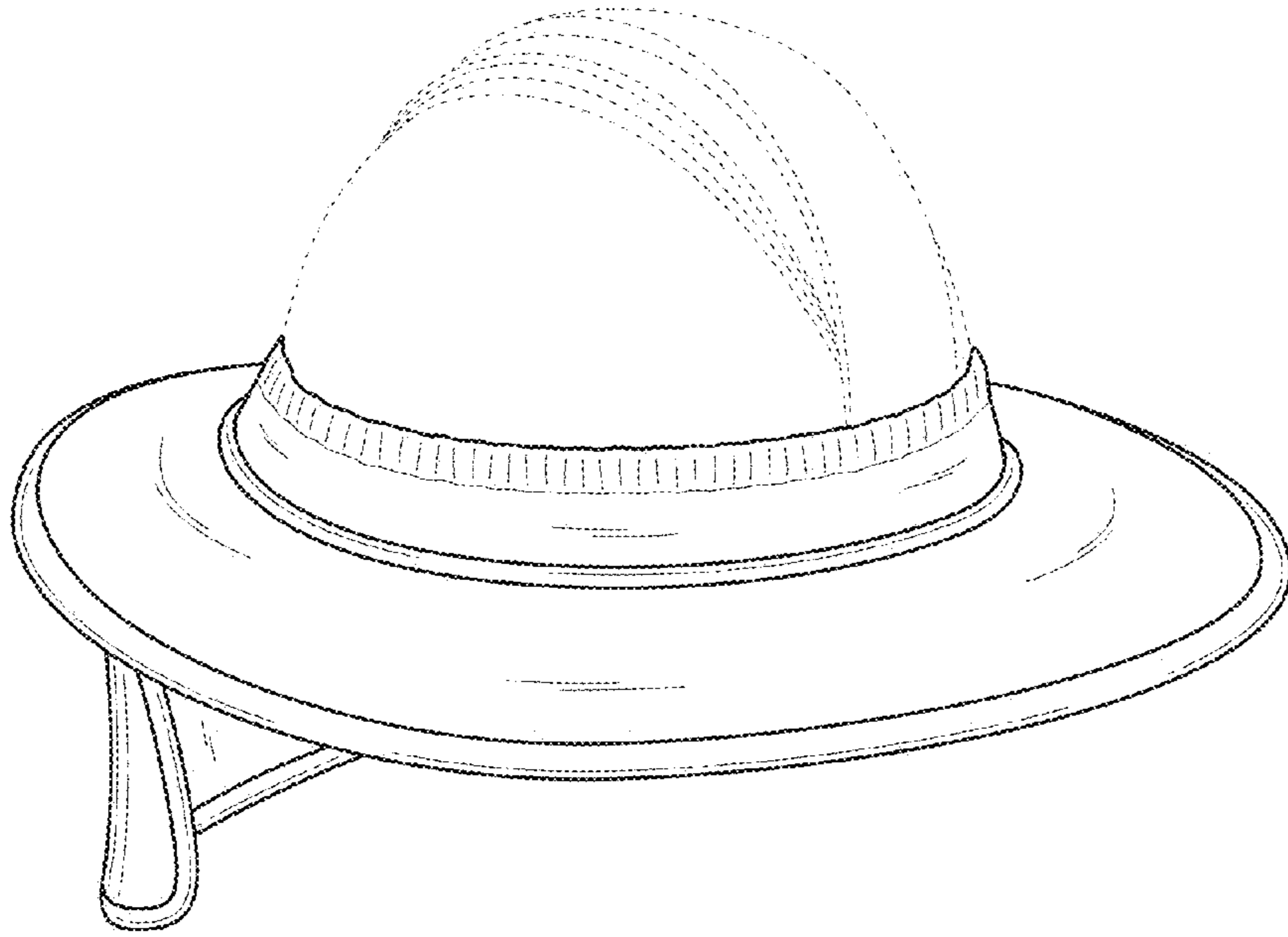


Fig. 1

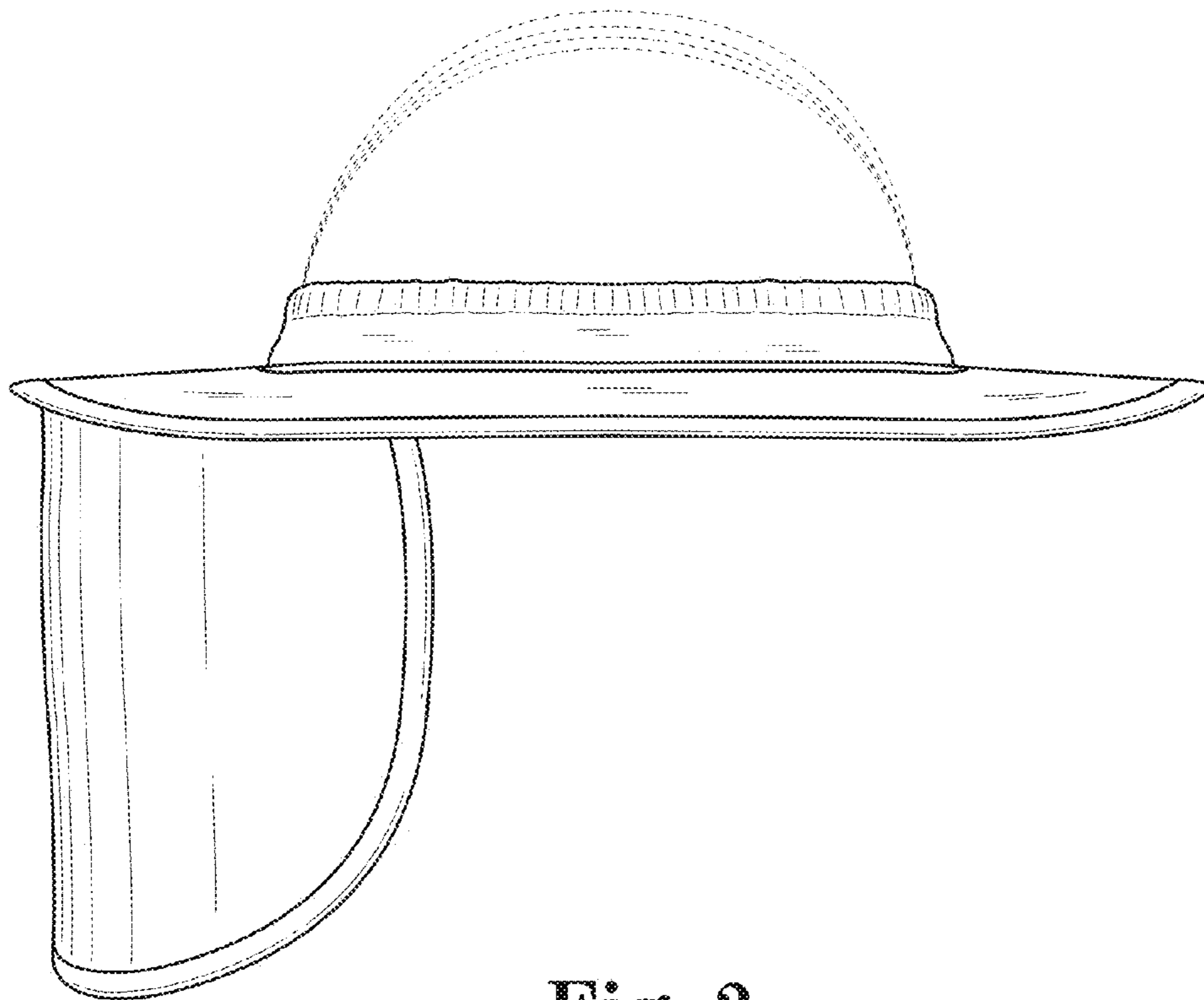


Fig. 2

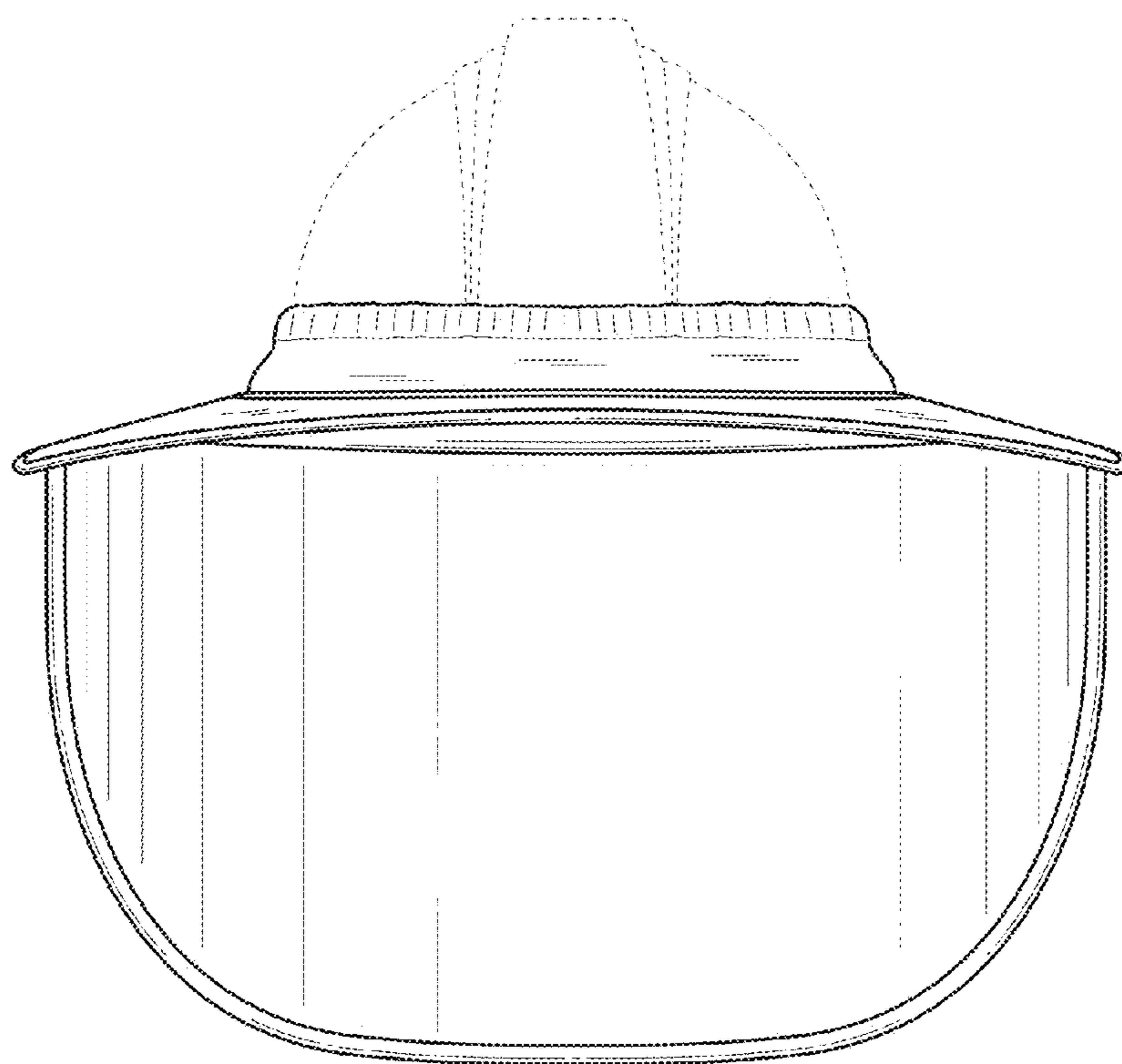


Fig. 3

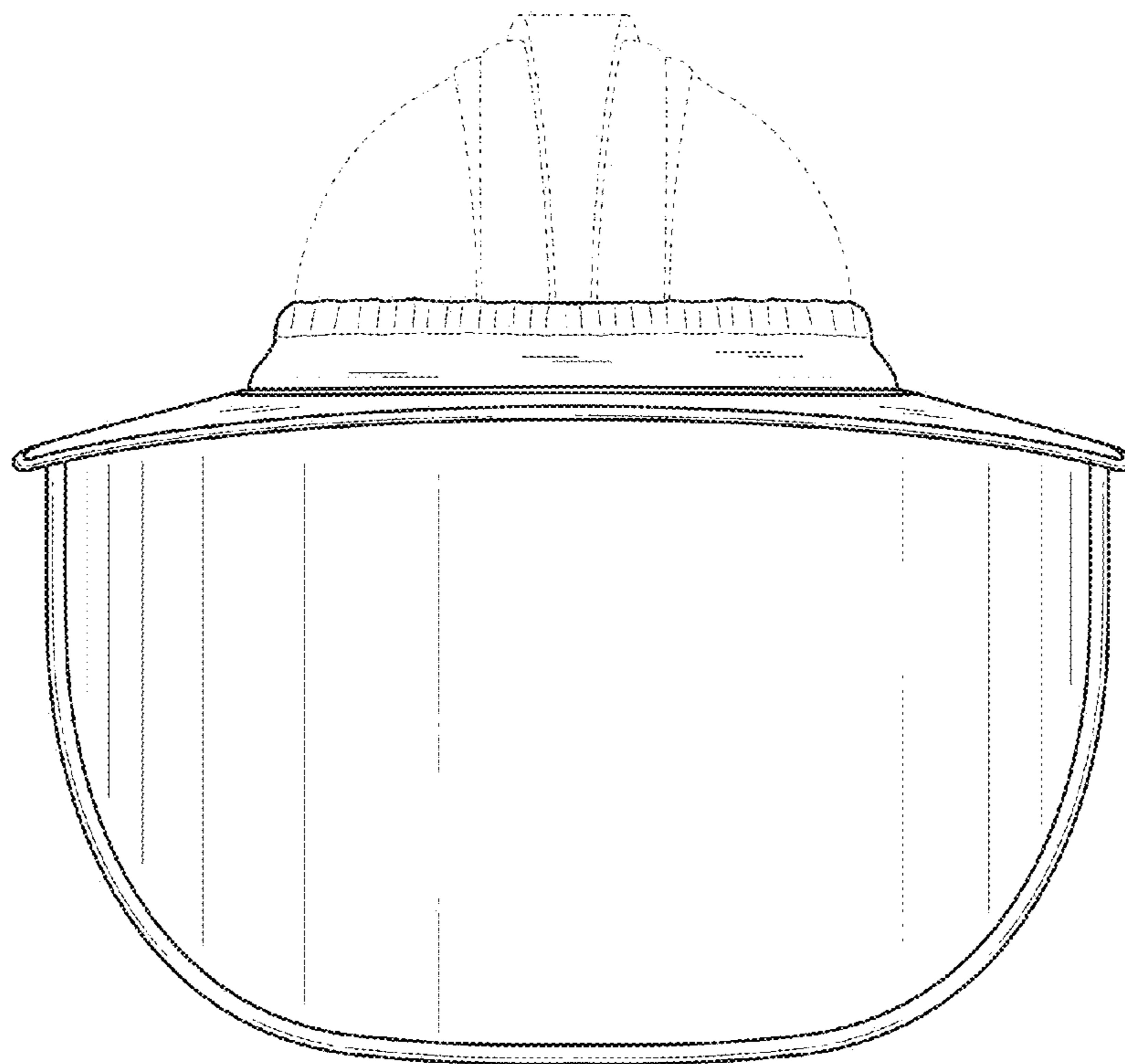
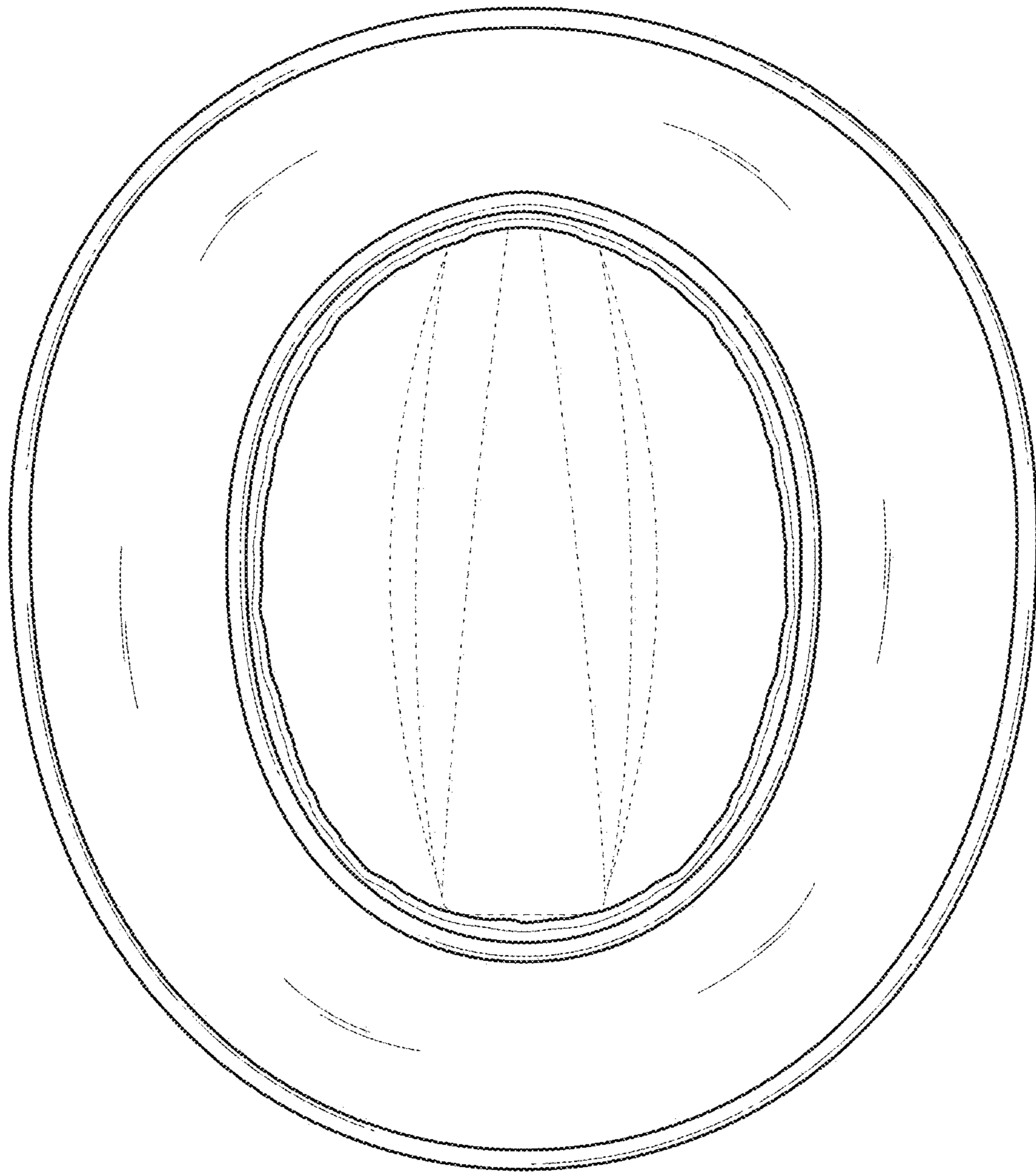
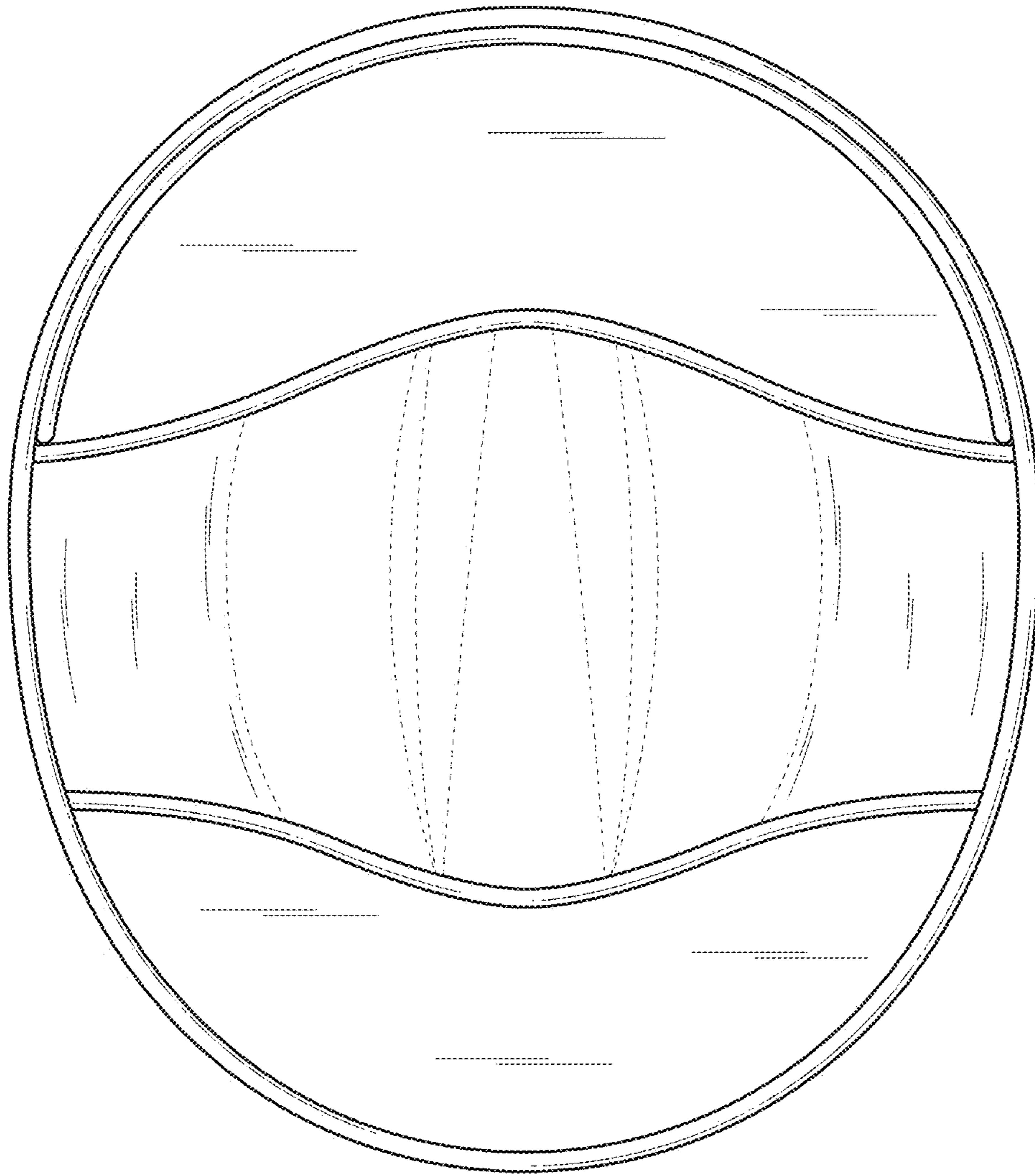


Fig. 4





**Fig. 5**



**Fig. 6**