



US00D732242S

(12) **United States Design Patent**
Miller et al.

(10) **Patent No.:** **US D732,242 S**
(45) **Date of Patent:** **** Jun. 16, 2015**

- (54) **DISPOSABLE FACE SHIELD**
- (71) Applicant: **TIDI Products, LLC**, Neenah, WI (US)
- (72) Inventors: **Kurt Miller**, Neenah, WI (US); **Brian L. Wilt**, Appleton, WI (US)
- (73) Assignee: **TIDI Products, LLC**, Neenah, WI (US)
- (**) Term: **14 Years**
- (21) Appl. No.: **29/482,840**
- (22) Filed: **Feb. 21, 2014**
- (51) **LOC (10) Cl.** **29-02**
- (52) **U.S. Cl.**
USPC **D29/110**
- (58) **Field of Classification Search**
USPC D29/100, 102, 104, 105, 106, 107, 108,
D29/109, 110, 122; 2/455, 410, 6.3, 6.4,
2/6.5, 6.7, 8.2, 424, 425, 9, 15, 426, 427,
2/206, 909
See application file for complete search history.

(56) **References Cited**

U.S. PATENT DOCUMENTS

797,293	A *	8/1905	Lang et al.	2/12
1,337,036	A	4/1920	Bergmann	
2,342,982	A	2/1944	Stern et al.	
2,758,307	A *	8/1956	Treiber	2/9
2,774,970	A	12/1956	Rudolf	
2,798,222	A *	7/1957	Evans et al.	2/9
2,829,374	A	4/1958	Malcom, Jr.	
2,963,708	A *	12/1960	Herbine et al.	2/8.1
3,041,624	A *	7/1962	Cutrona, Jr.	2/11
D206,620	S *	1/1967	Hoffman	D29/110
3,295,143	A *	1/1967	Hoffman	2/12
D210,002	S *	1/1968	Zahn	D29/110
3,369,255	A *	2/1968	Bolle	2/9
3,380,073	A *	4/1968	McLaughlin	2/8.1
3,517,392	A *	6/1970	Hodge et al.	2/8.3
3,686,690	A	8/1972	Webb	
D228,700	S *	10/1973	Gager	D29/110

4,825,878	A	5/1989	Kuntz et al.	
4,852,185	A	8/1989	Olson	
4,852,186	A *	8/1989	Landis	2/9
4,853,974	A	8/1989	Olim	
4,864,653	A	9/1989	Landis	
4,867,178	A	9/1989	Smith	
4,872,465	A	10/1989	Kuntz et al.	
4,884,296	A	12/1989	Nix, Jr.	
D306,363	S *	2/1990	Stackhouse et al.	D29/110

(Continued)

Primary Examiner — Elizabeth J Oswecki

(74) Attorney, Agent, or Firm — Boyle Fredrickson, S.C.

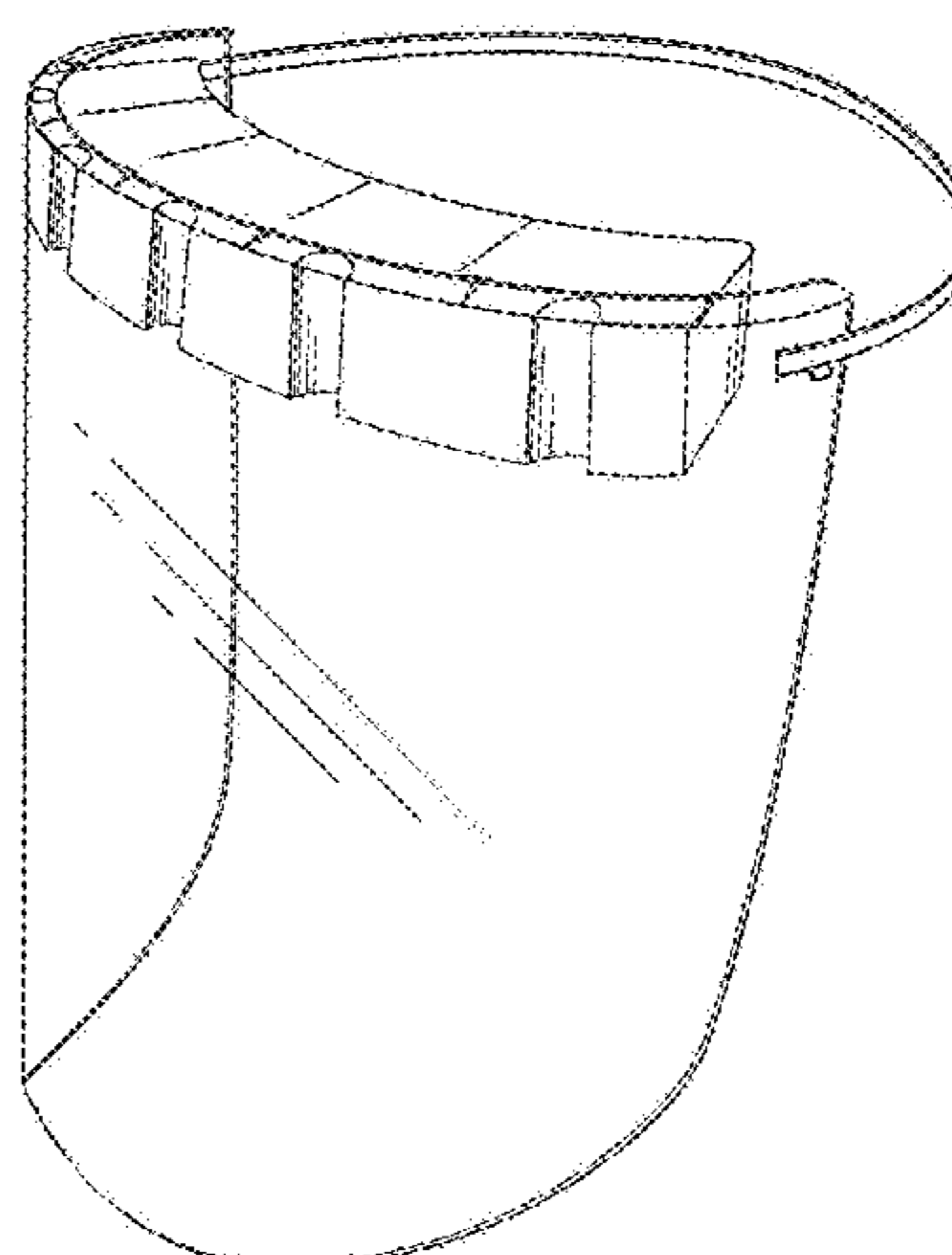
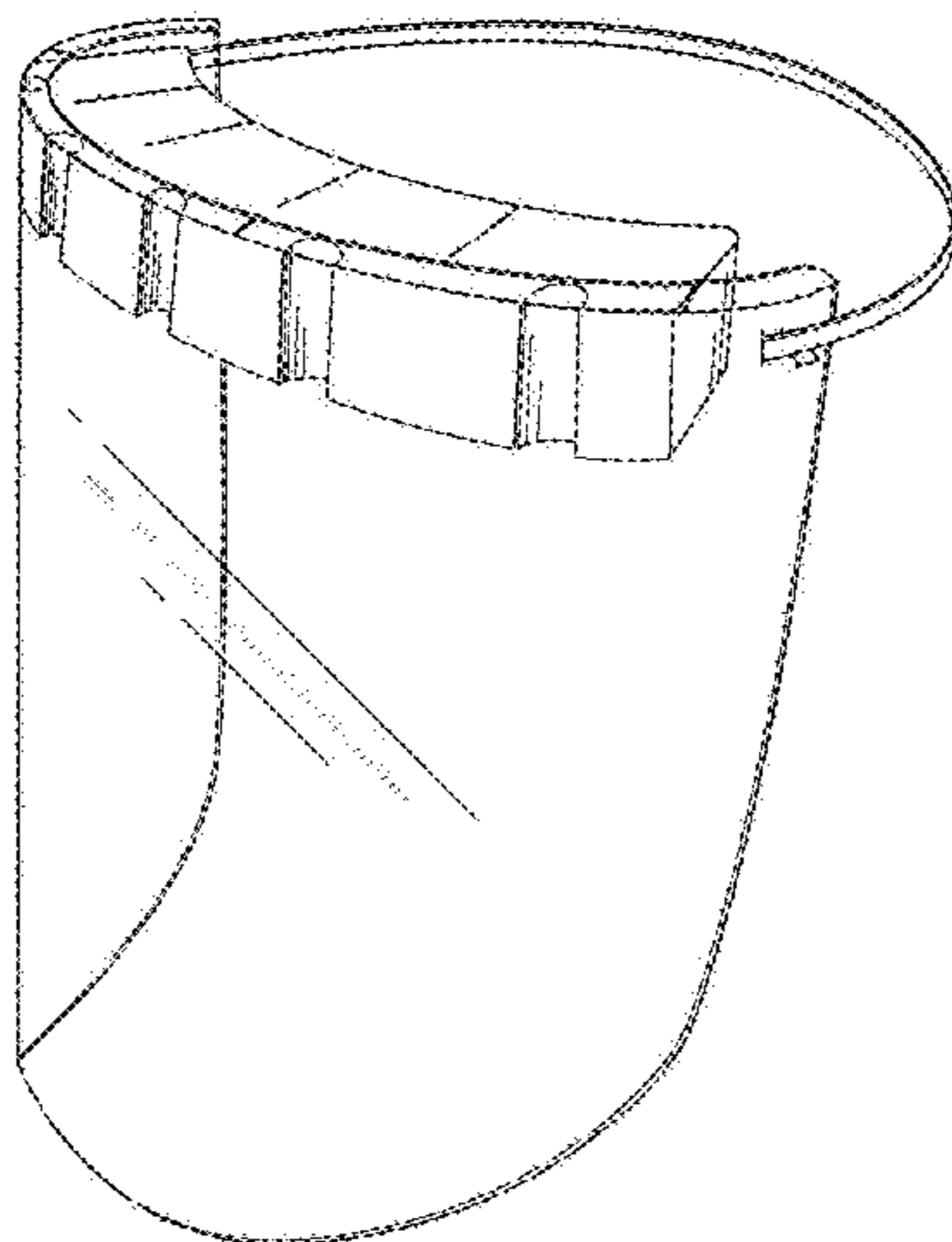
(57) **CLAIM**

The ornamental design for a disposable face shield, as shown and described.

DESCRIPTION

FIG. 1 is an isometric view of a first embodiment of a disposable face shield showing our new design;
 FIG. 2 is a side isometric view thereof shown in a used condition with a human head shown in broken lines;
 FIG. 3 is a top plan view thereof;
 FIG. 4 is a front elevation view thereof;
 FIG. 5 is a rear elevation view thereof;
 FIG. 6 is an enlarged portion view taken along line 6-6 of FIG. 4;
 FIG. 7 is an isometric view of a second embodiment of a disposable face shield showing our new design;
 FIG. 8 is a side isometric view thereof shown in a used condition with a human head shown in broken lines;
 FIG. 9 is a top plan view thereof;
 FIG. 10 is a front elevation view thereof;
 FIG. 11 is a rear elevation view thereof; and,
 FIG. 12 is an enlarged portion view taken along line 12-12 of FIG. 10.
 The broken lines shown in the drawings form no part of the claimed design.
 All surfaces not shown form no part of the claimed design.

1 Claim, 8 Drawing Sheets



(56)

References Cited

U.S. PATENT DOCUMENTS

4,920,576 A	5/1990	Landis			
4,924,526 A	5/1990	Parissenti et al.			
D308,582 S	6/1990	Salce et al.			
4,944,312 A	7/1990	Smith			
4,945,573 A *	8/1990	Landis	2/9		
4,945,574 A *	8/1990	Dagher	2/9		
D311,262 S *	10/1990	Curry	D29/110		
D311,782 S	10/1990	Salce et al.			
D311,978 S	11/1990	Metcalf			
D312,331 S	11/1990	Poettgen			
4,986,282 A	1/1991	Stackhouse et al.			
D318,147 S	7/1991	Russell			
D321,067 S	10/1991	Salce et al.			
D321,268 S	10/1991	Nix, Jr.			
D321,958 S	11/1991	Salce et al.			
5,088,114 A	2/1992	Salce et al.			
5,113,528 A	5/1992	Burke, Jr. et al.			
D326,932 S *	6/1992	Millar	D29/110		
D335,723 S *	5/1993	Pawliszyn	D29/110		
5,206,956 A	5/1993	Olson			
5,243,711 A	9/1993	Graham			
5,303,423 A	4/1994	Gazzara et al.			
D347,909 S *	6/1994	Gazzara et al.	D29/110		
D349,177 S *	7/1994	Russell	D29/110		
D349,178 S *	7/1994	Russell	D29/110		
D349,362 S *	8/1994	Russell	D29/110		
5,337,419 A	8/1994	Russell			
D354,588 S *	1/1995	Russell	D29/110		
D354,589 S *	1/1995	Russell	D29/110		
D358,684 S	5/1995	Salce			
D361,160 S *	8/1995	Russell	D29/110		
5,440,760 A	8/1995	Highsmith			
D362,086 S *	9/1995	Russell	D29/110		
5,469,229 A	11/1995	Greenbaum			
5,471,679 A	12/1995	Paoluccio			
D366,540 S *	1/1996	Elias	D29/110		
D374,951 S *	10/1996	Machson	D29/110		
D375,583 S	11/1996	Landis et al.			
5,584,078 A	12/1996	Saboory			
5,600,870 A	2/1997	Fields et al.			
5,692,522 A	12/1997	Landis			
5,694,925 A	12/1997	Reese et al.			
5,699,792 A	12/1997	Reese et al.			
5,704,349 A	1/1998	Hubbard et al.			
5,765,223 A	6/1998	McCausland			
D404,848 S *	1/1999	Banuchi	D29/110		
D404,849 S	1/1999	Desy			
5,862,530 A	1/1999	Shillington			
5,970,514 A	10/1999	Wang-Lee			
5,983,390 A	11/1999	Desy			
D418,256 S *	12/1999	Caruana	D29/110		
6,016,808 A	1/2000	Landis			
6,055,982 A	5/2000	Brunson et al.			
6,079,980 A	6/2000	Durand			
D458,713 S *	6/2002	Cheng	D29/110		
6,564,804 B2	5/2003	Salatka et al.			
6,718,981 B2	4/2004	Cardarelli			
6,996,846 B1	2/2006	Karapetyan			
D539,485 S *	3/2007	Huh	D29/110		
7,272,860 B2	9/2007	Vega et al.			
D559,442 S *	1/2008	Regelbrugge et al.	D28/9		
D568,545 S *	5/2008	Schaffner	D29/110		
7,490,359 B2	2/2009	Landis			
7,725,949 B2	6/2010	Landis			
8,291,512 B2	10/2012	Stoll			
2012/0047614 A1	3/2012	Choi			

* cited by examiner

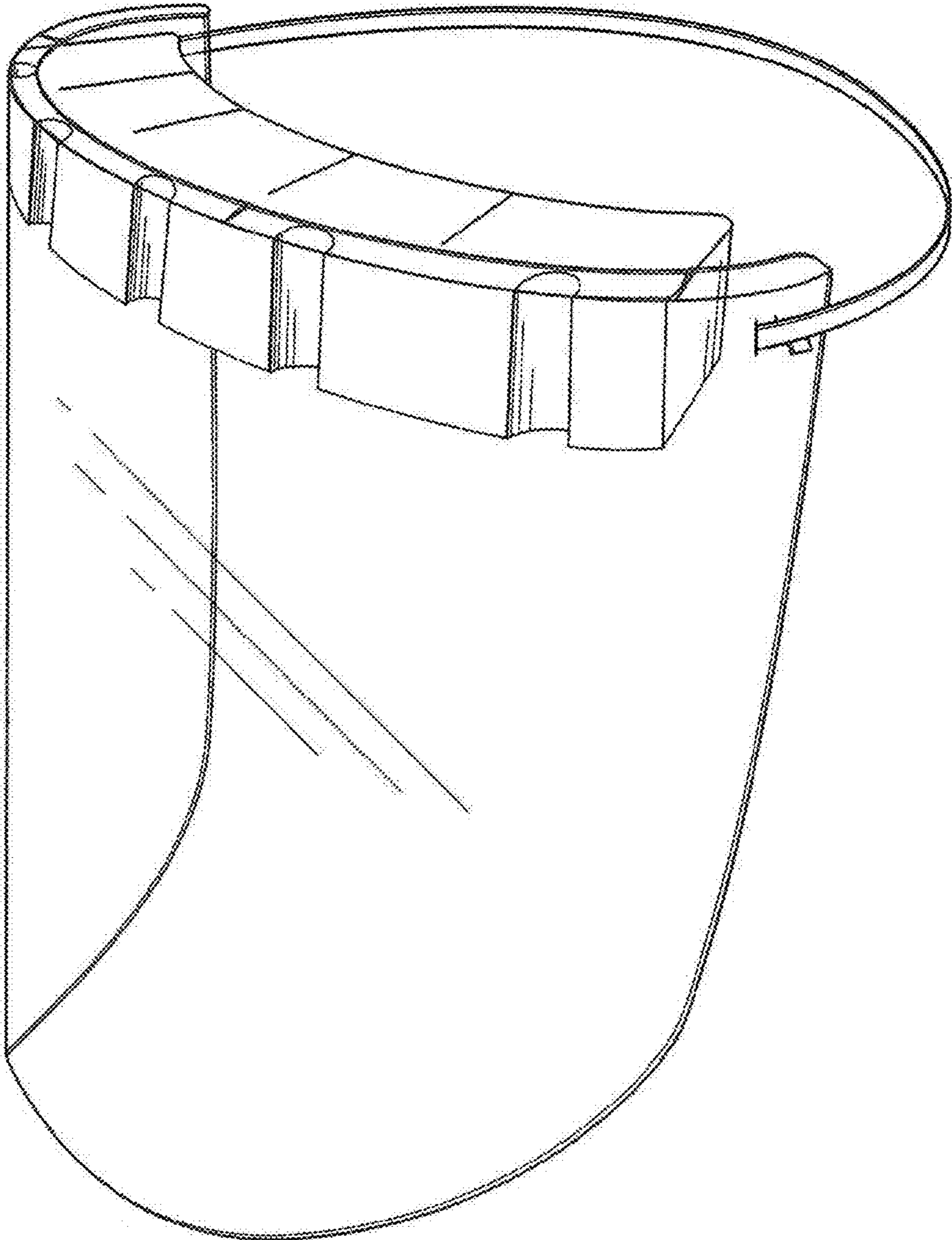
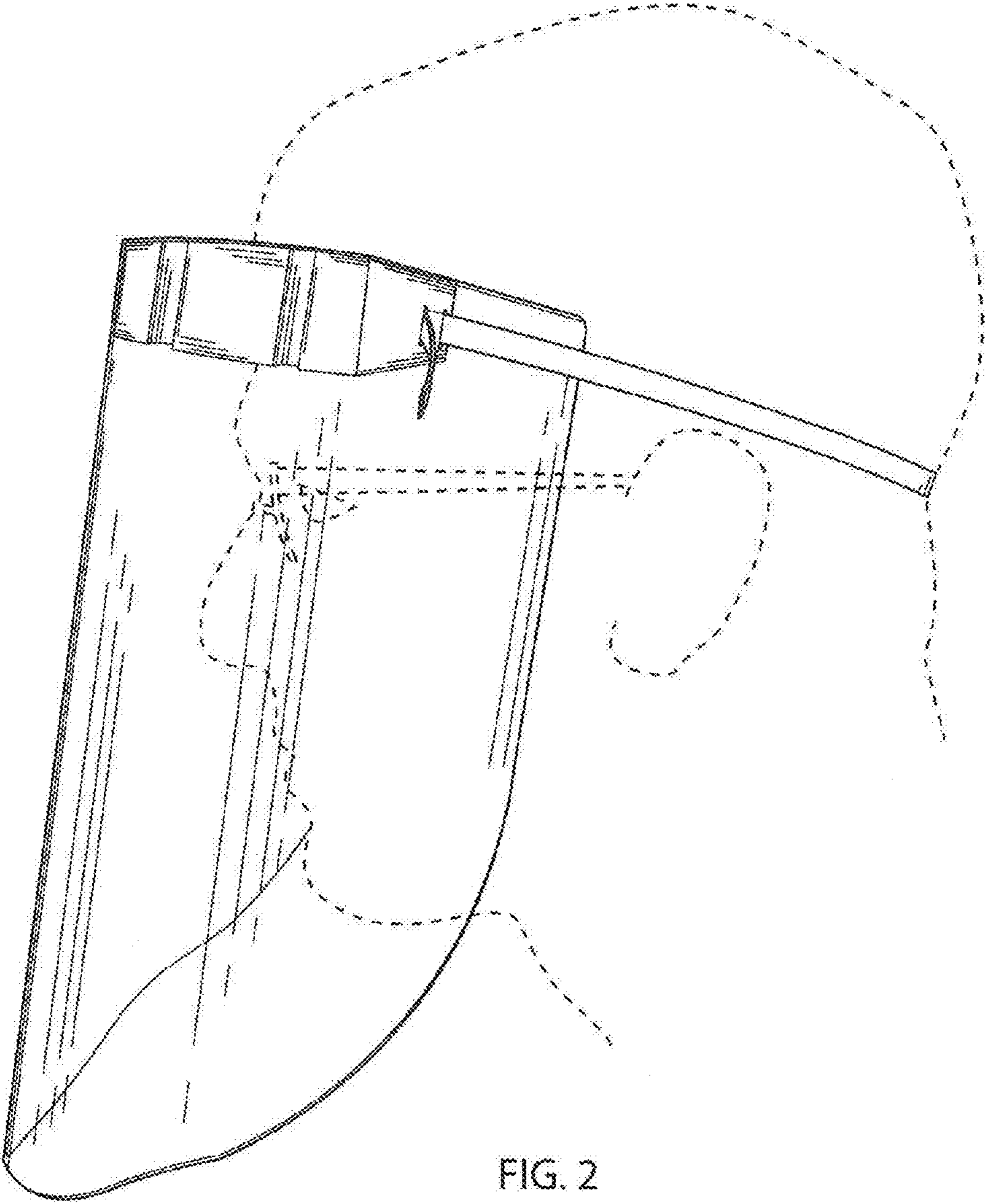


FIG. 1



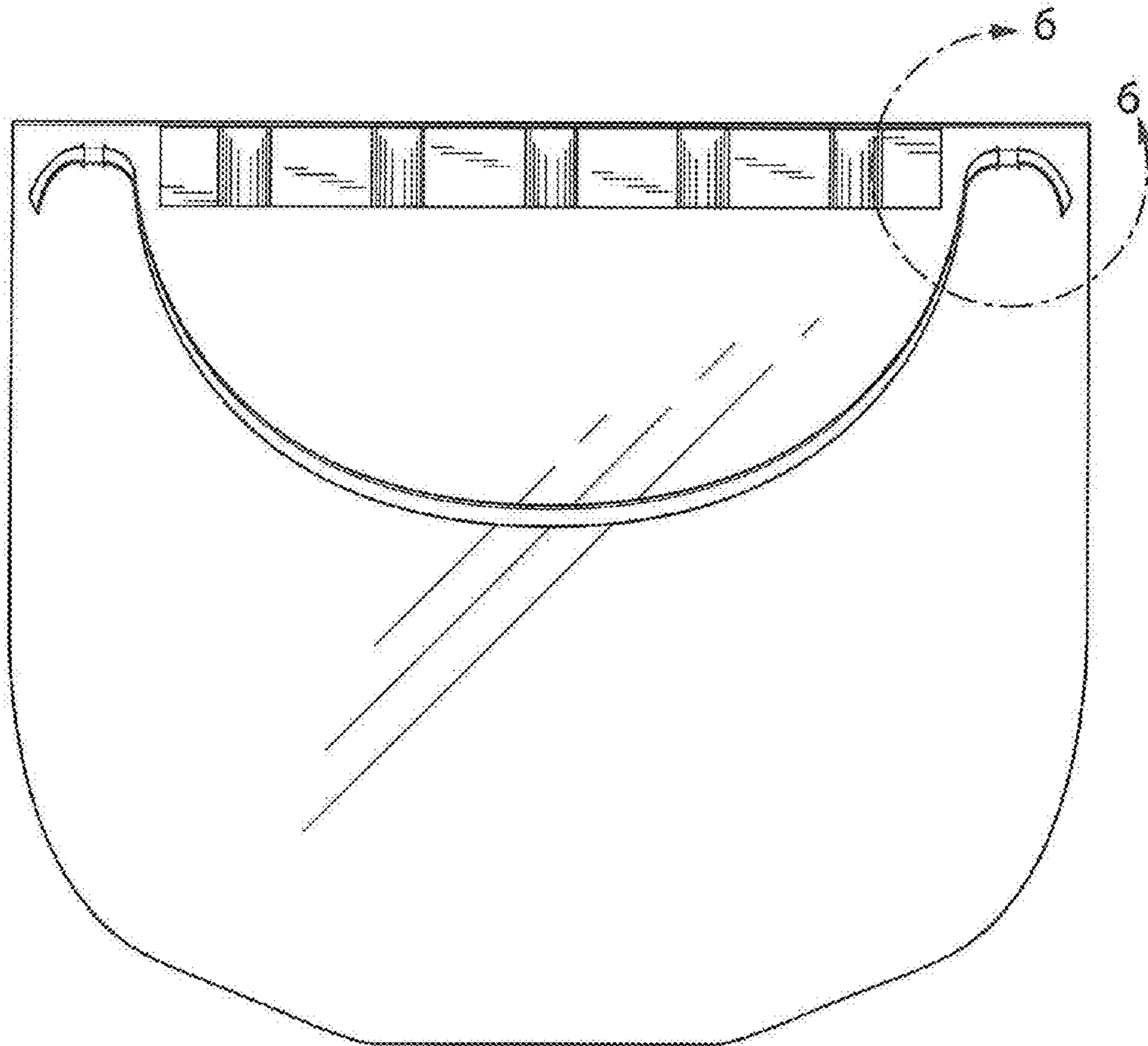
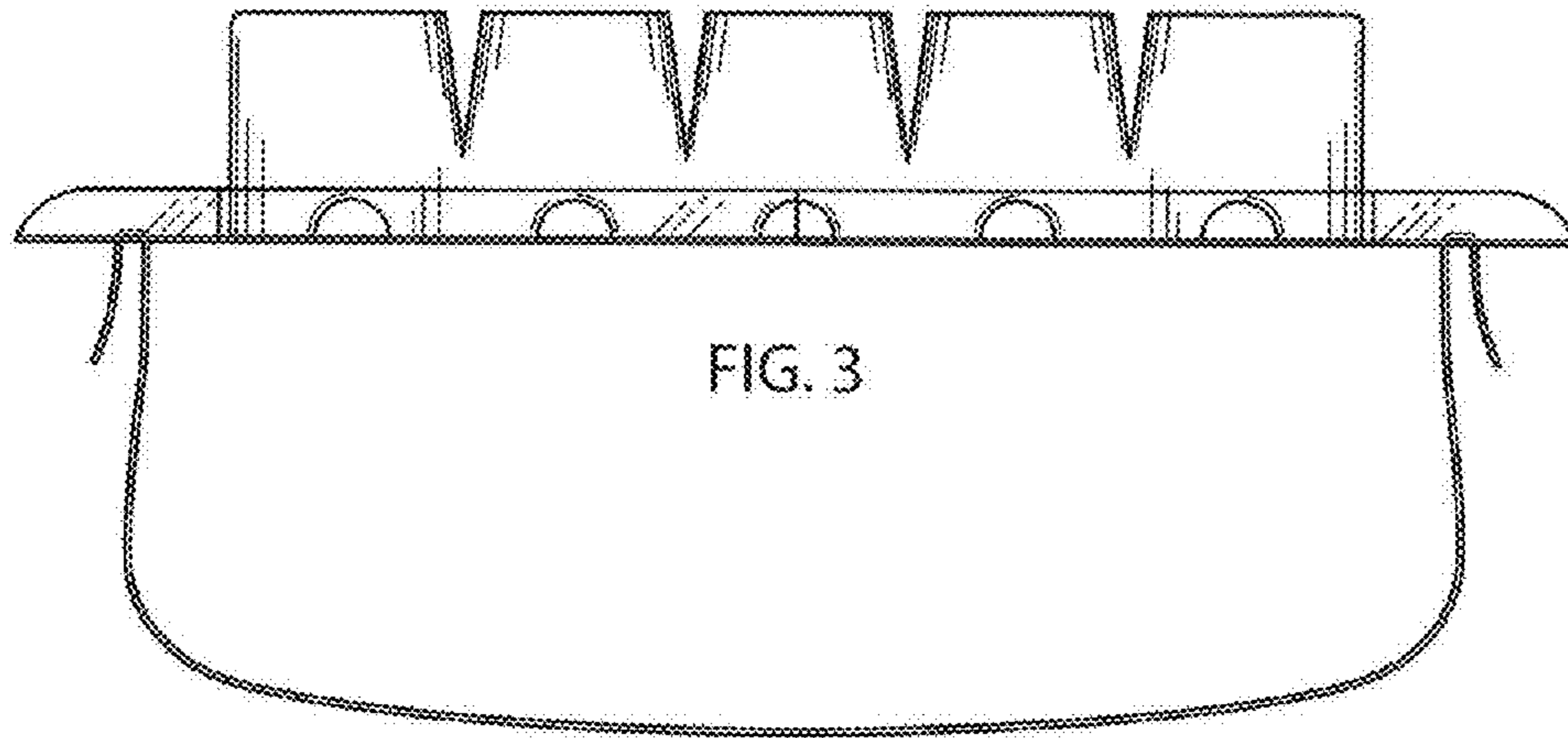


FIG. 4

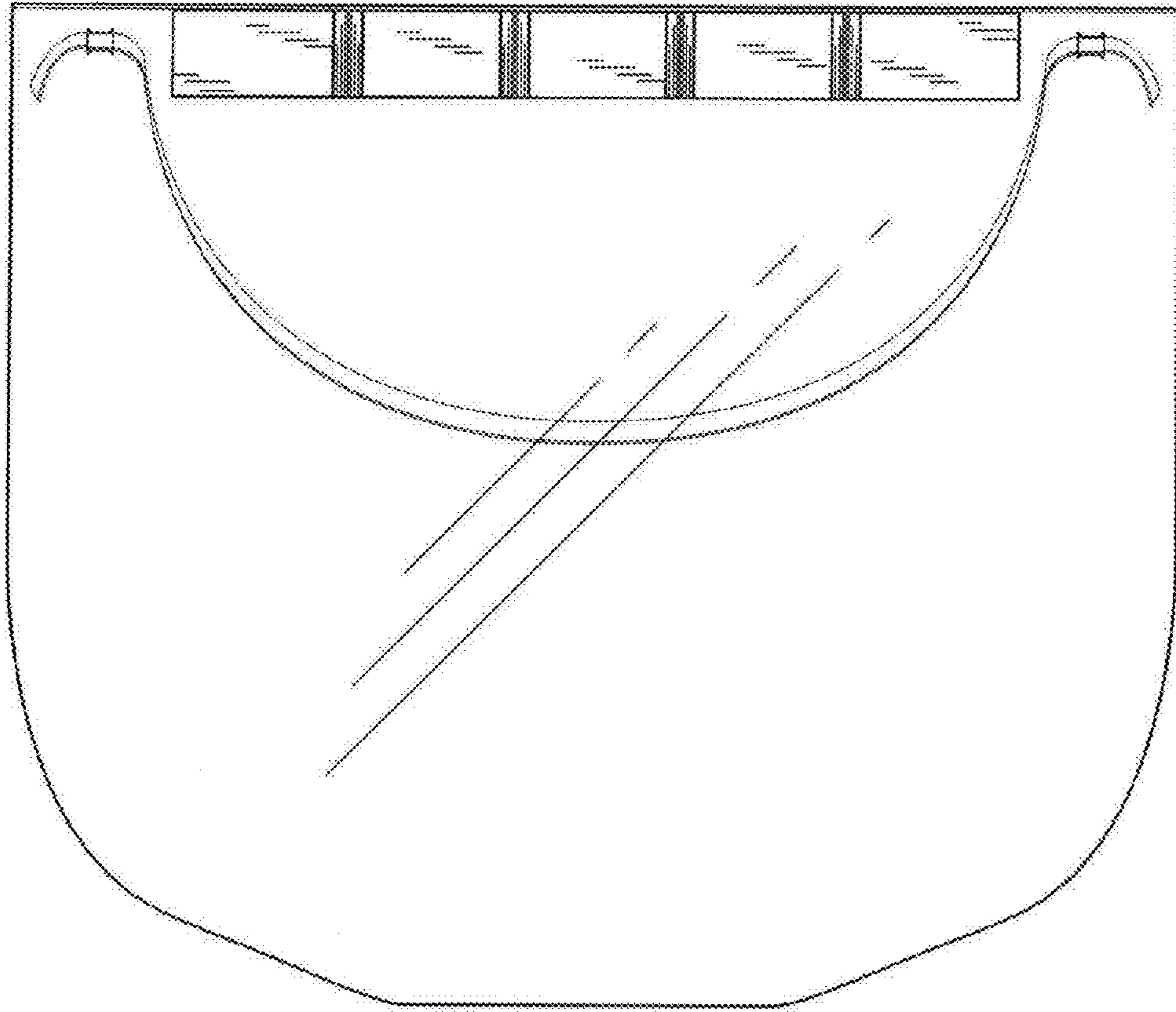


FIG. 5

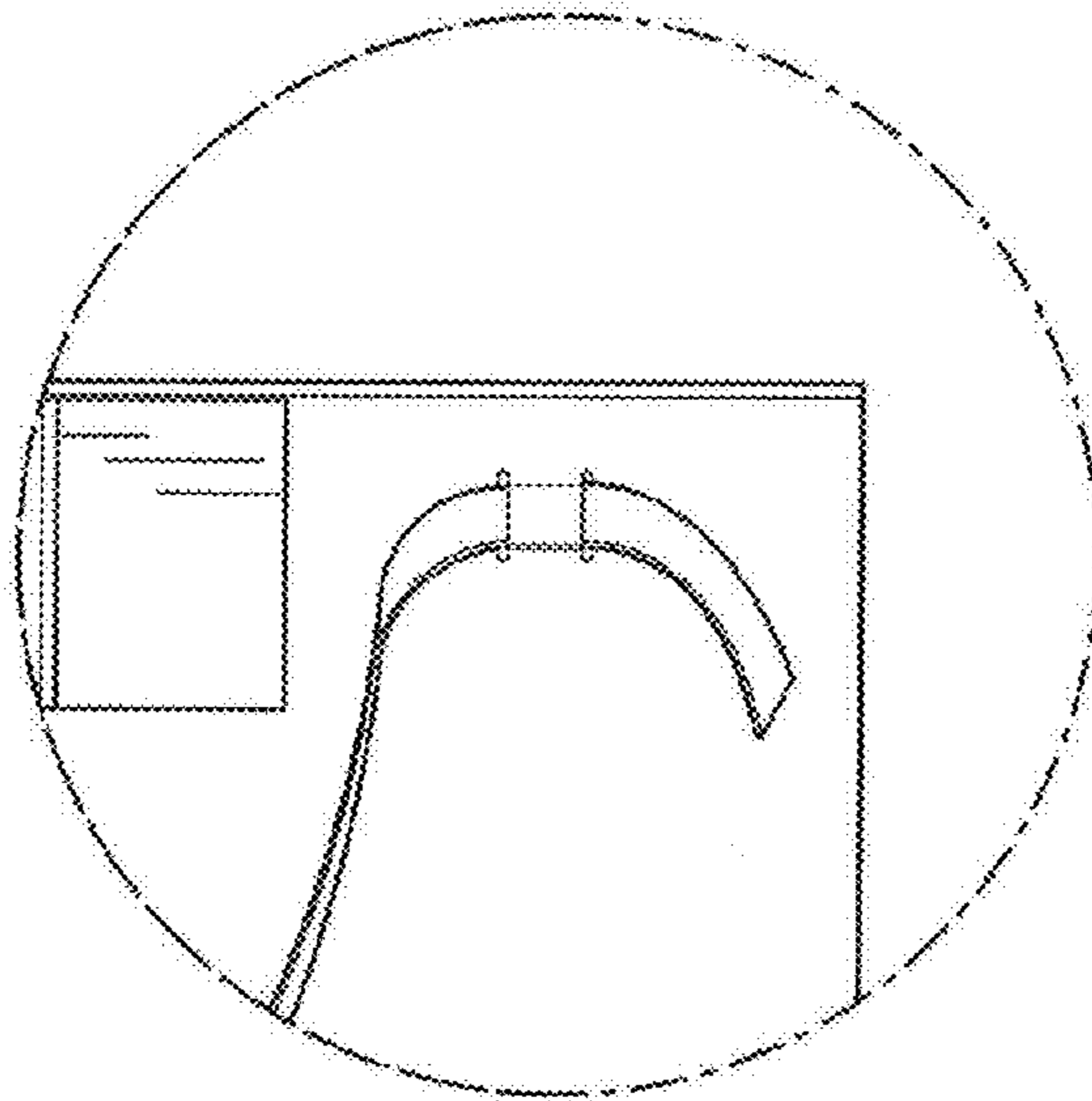


FIG. 6

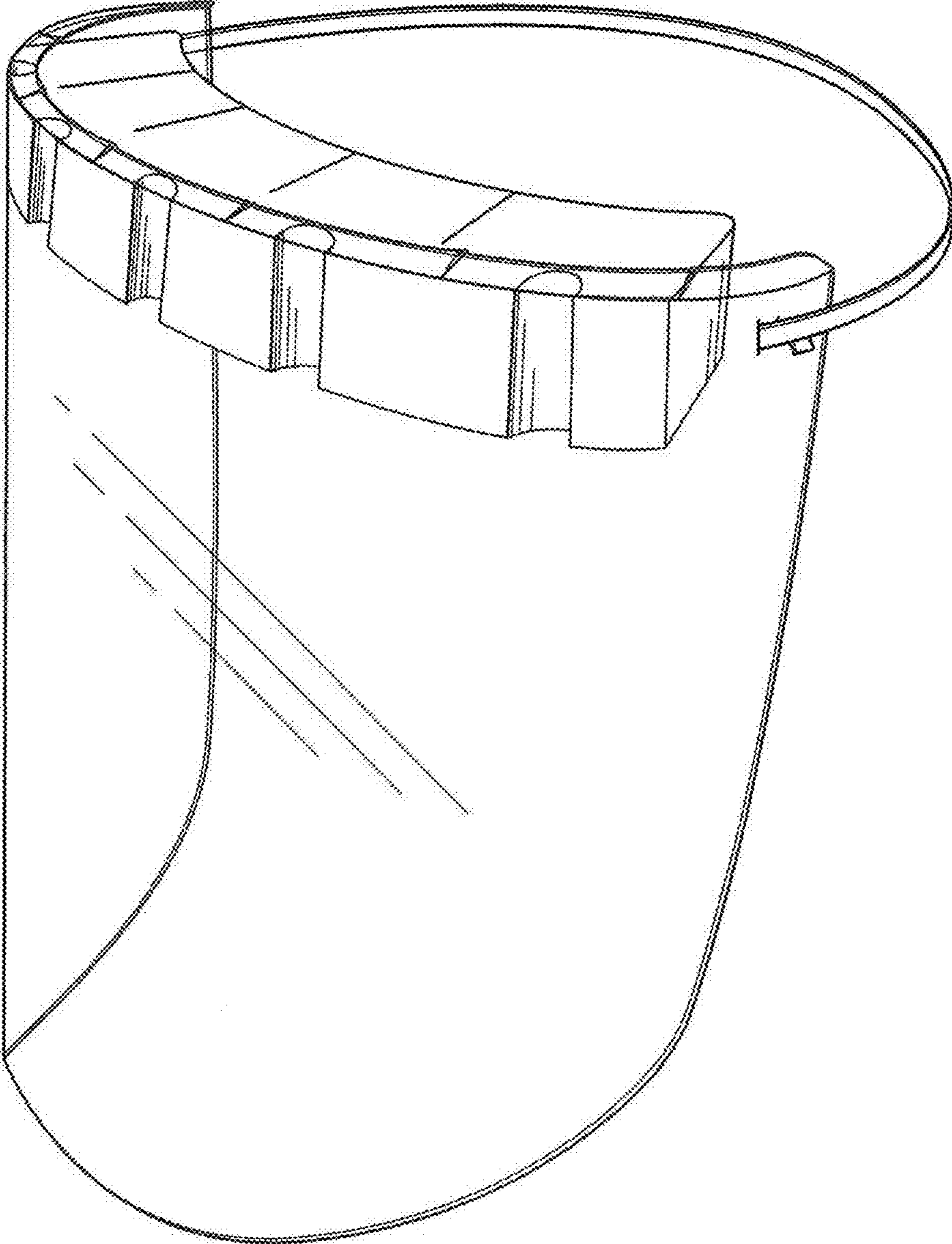


FIG. 7

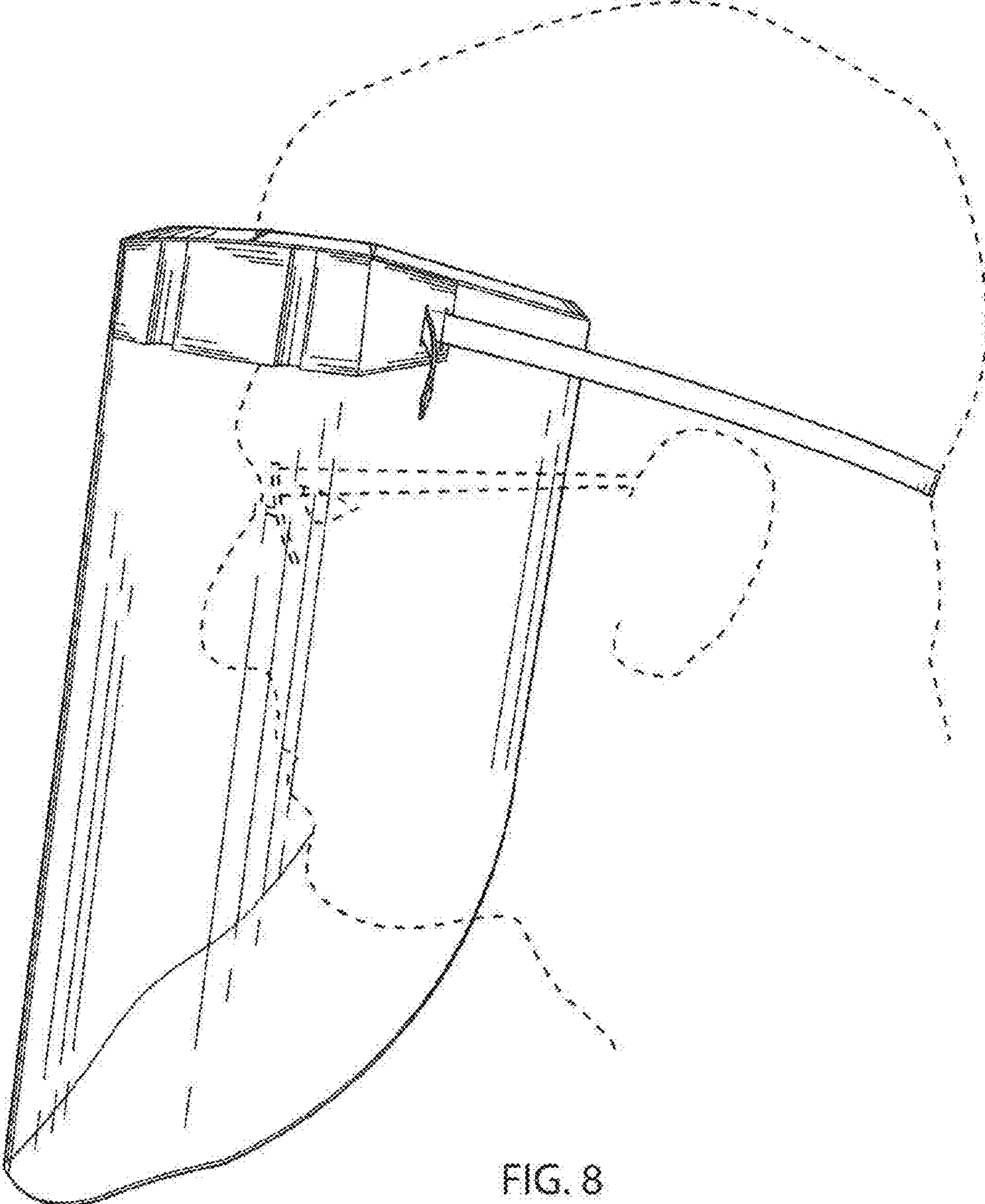


FIG. 8

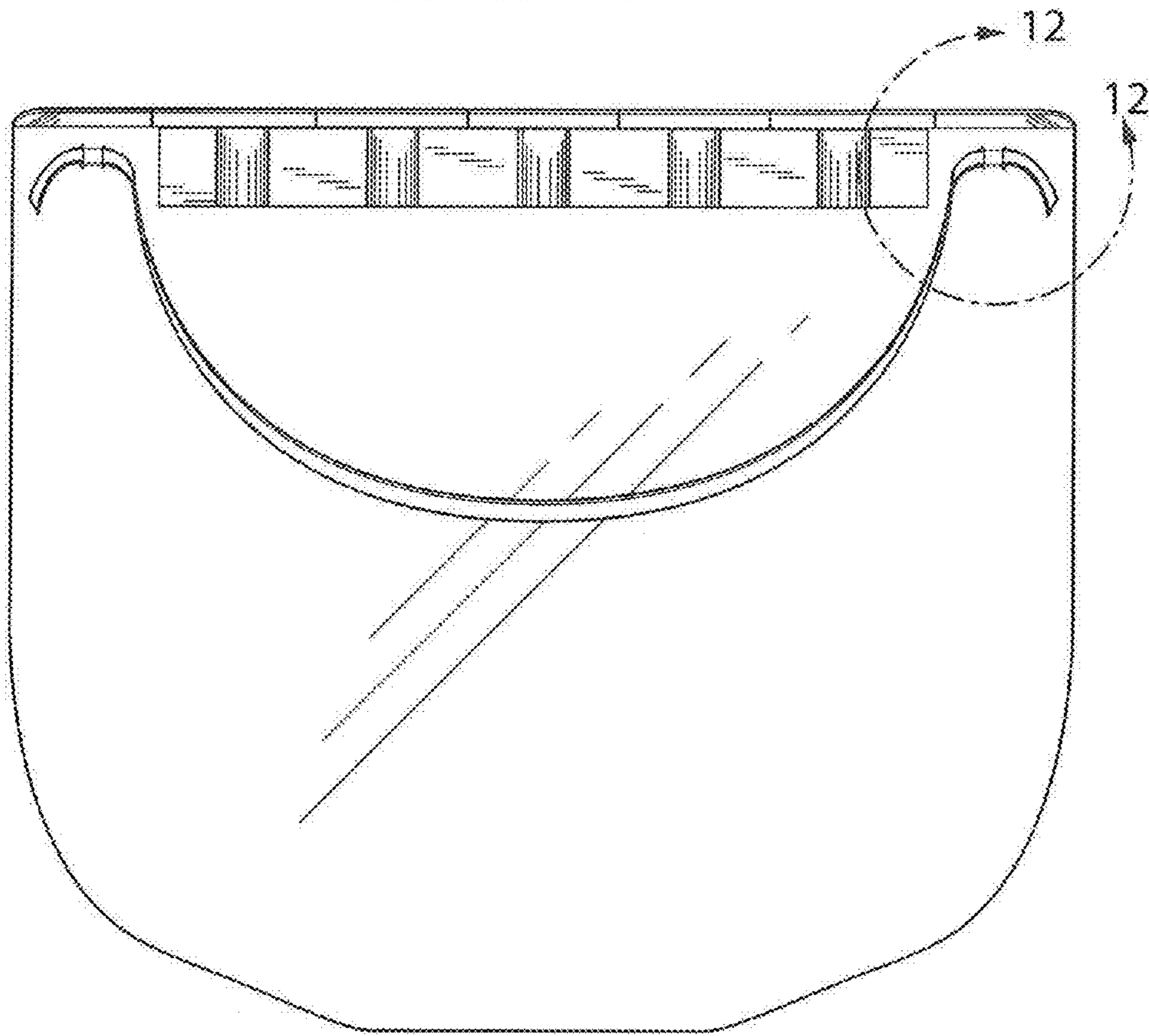
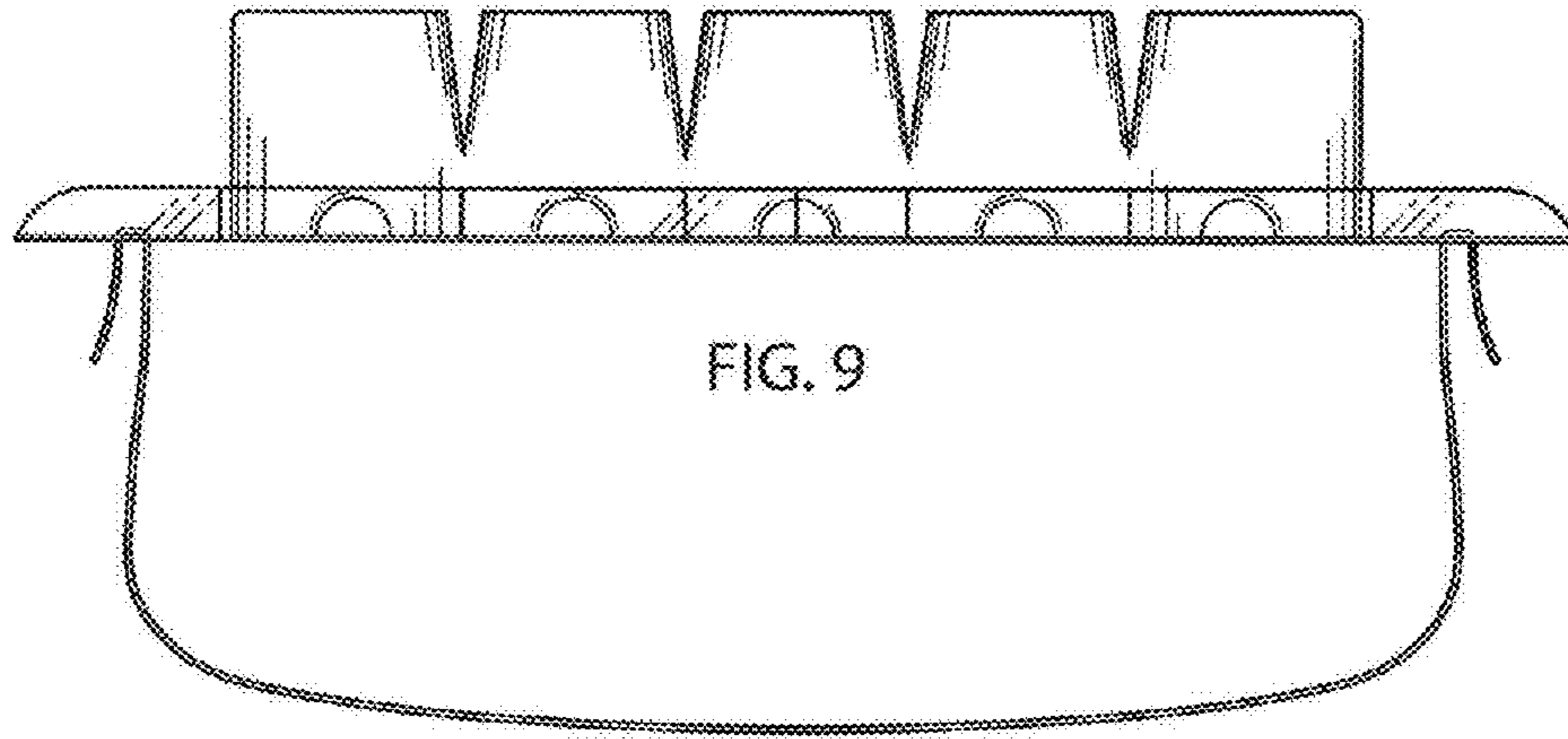


FIG. 10

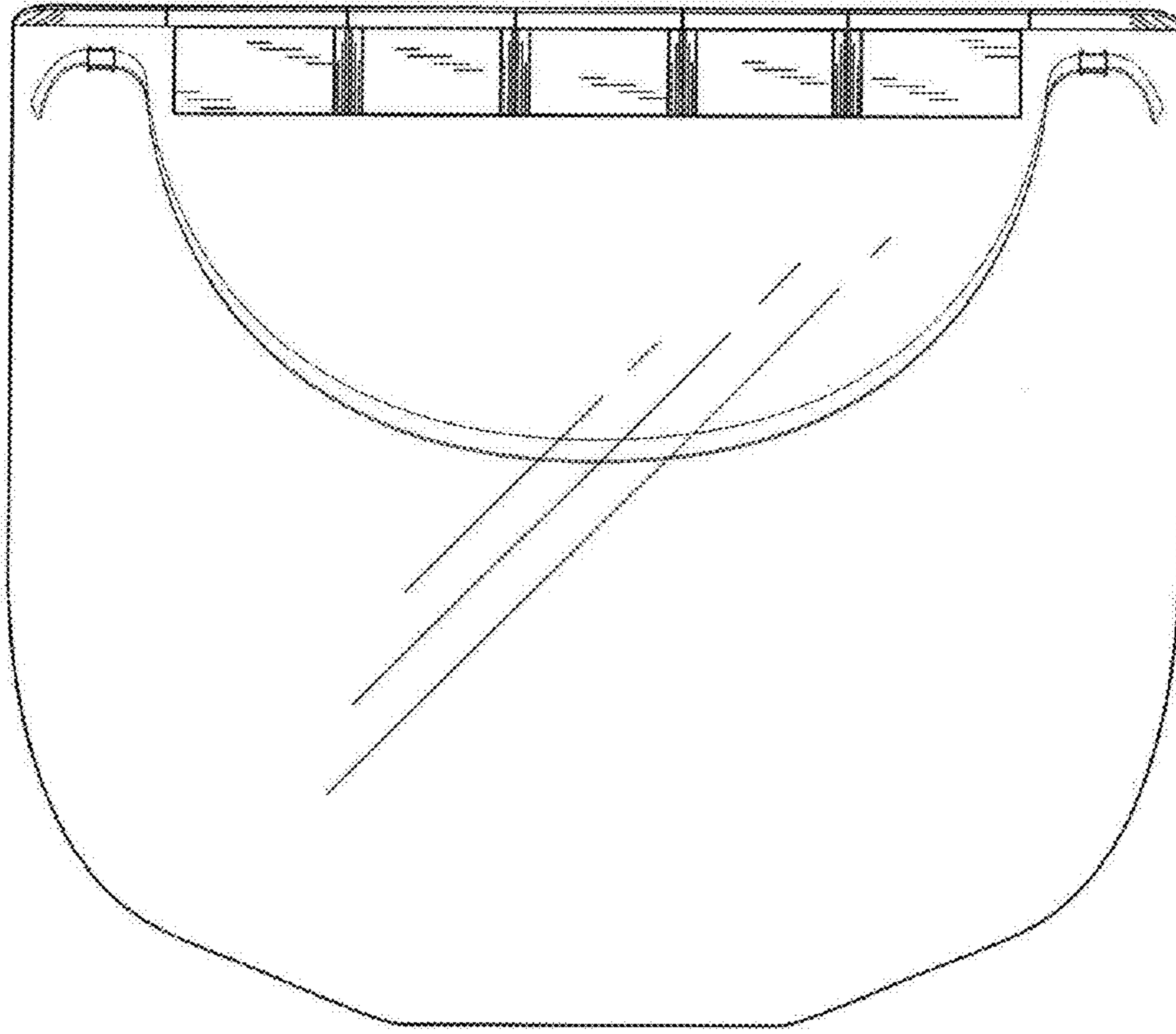


FIG. 11

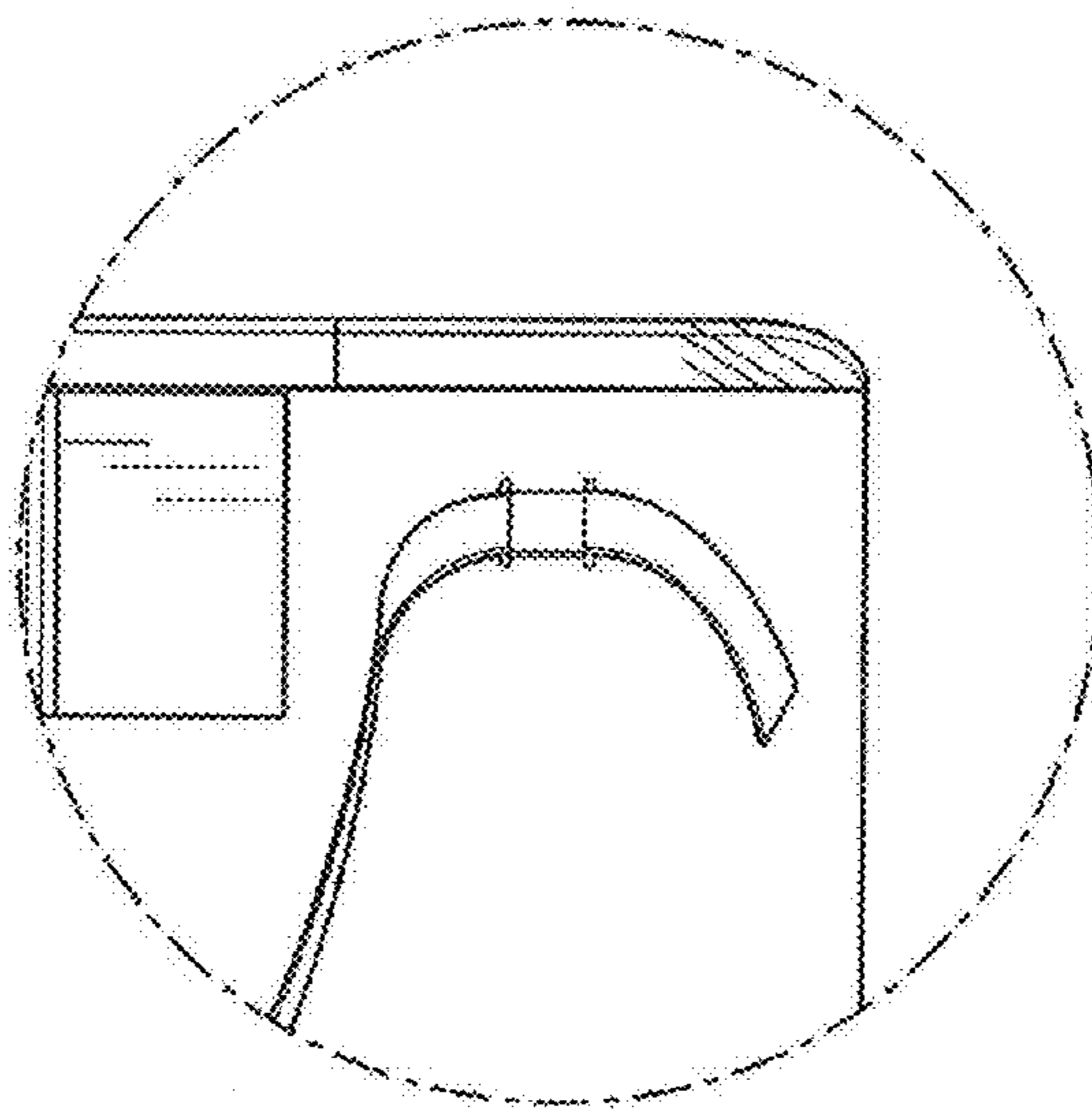


FIG. 12