



US00D732239S

(12) **United States Design Patent**
Chen

(10) **Patent No.:** **US D732,239 S**
(45) **Date of Patent:** **** Jun. 16, 2015**

(54) **ELECTRONIC SMOKE DEVICE**

(56) **References Cited**

(71) Applicant: **SMISS TECHNOLOGY CO., LTD,**
Baoan District, Shenzhen (CN)

U.S. PATENT DOCUMENTS

(72) Inventor: **Jiatai Chen,** Shenzhen (CN)

D644,375	S	*	8/2011	Zhou	D27/101
D653,803	S	*	2/2012	Timmermans	D27/163
D688,415	S	*	8/2013	Kim	D27/101
D688,416	S	*	8/2013	Liu	D27/101
D693,053	S	*	11/2013	Chen	D27/101
D694,468	S	*	11/2013	Chen	D27/101
D695,450	S	*	12/2013	Benassayag et al.	D27/163
2013/0068239	A1	*	3/2013	Youn	131/273
2013/0152922	A1	*	6/2013	Benassayag et al.	128/202.21
2013/0333711	A1	*	12/2013	Liu	131/329

(73) Assignee: **SMISS TECHNOLOGY CO., LTD,**
Shenzhen (CN)

(**) Term: **14 Years**

* cited by examiner

(21) Appl. No.: **29/486,593**

Primary Examiner — Susan Bennett Hattan
Assistant Examiner — Janice Hallmark

(22) Filed: **Mar. 31, 2014**

(51) **LOC (10) Cl.** **27-01**

(57) **CLAIM**

(52) **U.S. Cl.**
USPC **D27/101**

The ornamental design for an electronic smoke device, as shown and described.

(58) **Field of Classification Search**

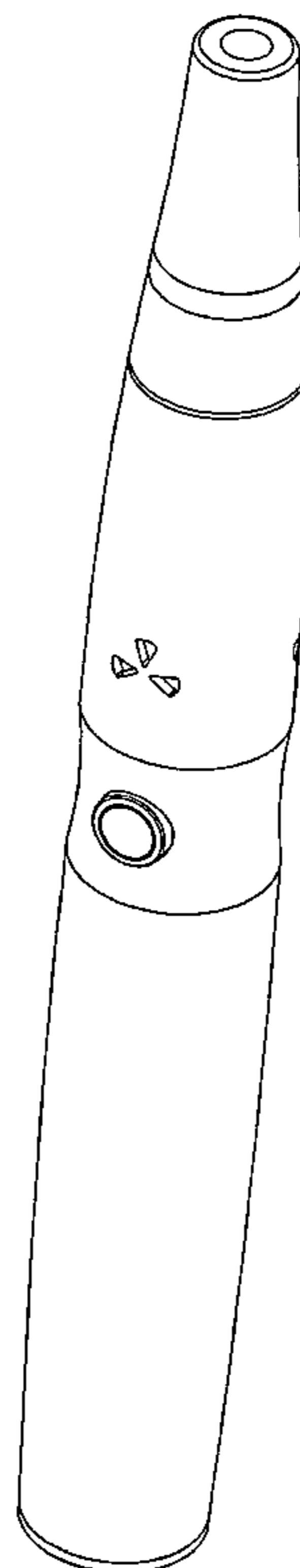
DESCRIPTION

USPC D27/100–101, 106, 143, 152, 161–172,
D27/183–184, 187, 189, 190, 193–194;
131/220–222, 226, 173, 174, 194,
131/328–330, 270, 273; D7/584, 585;
D9/500, 502; D11/143, 144, 146, 152;
D24/110.5, 110
CPC A24F 1/02; A24F 1/04; A24F 1/06;
A24F 1/08; A24F 1/10; A24F 1/12; A24F
1/14; A24F 1/22; A24F 9/16; A24F
47/002–47/008; A24F 1/30; A24F 47/00

FIG. 1 is the perspective view of the electronic smoke device showing my new design;
FIG. 2 is the left side view thereof;
FIG. 3 is the right side view thereof;
FIG. 4 is the top plan view thereof;
FIG. 5 is the bottom plan view thereof;
FIG. 6 is the front elevational view thereof; and,
FIG. 7 is the rear elevational view thereof.
The broken lines in the drawings depict parts of the electronic smoke device that form no part of the claimed design.

See application file for complete search history.

1 Claim, 7 Drawing Sheets



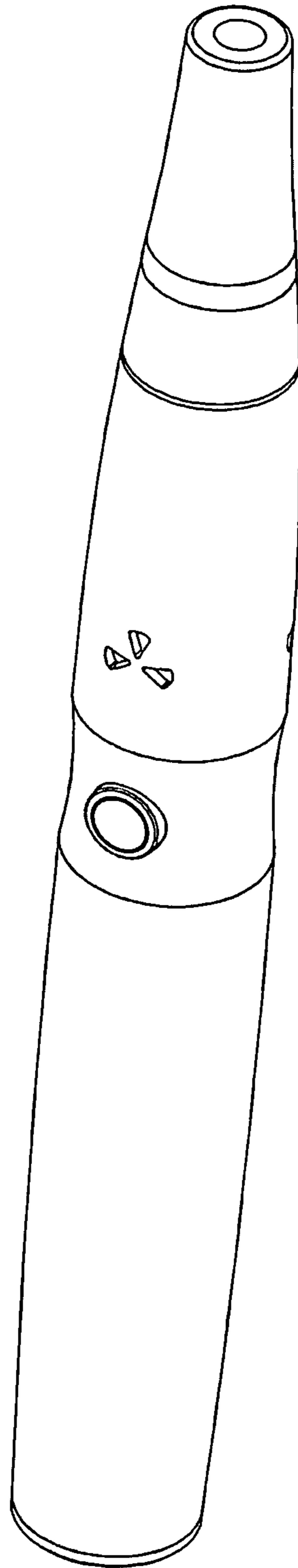


Fig. 1

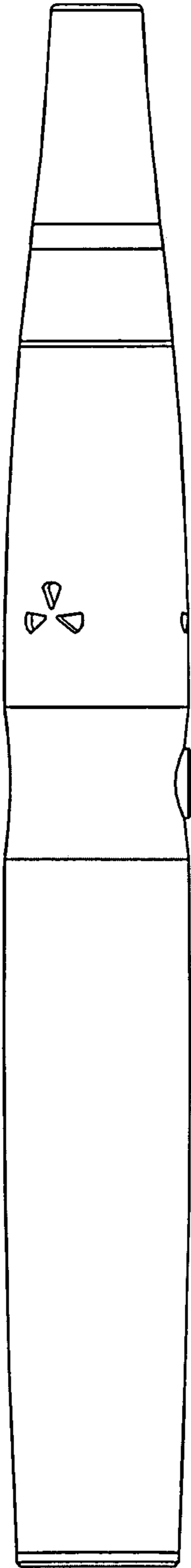


Fig. 2

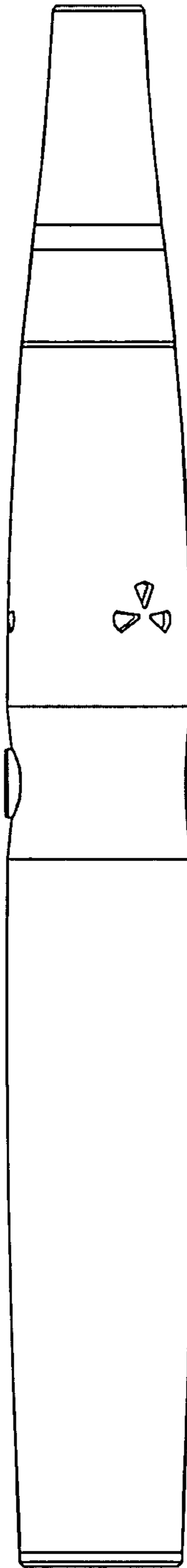


Fig. 3

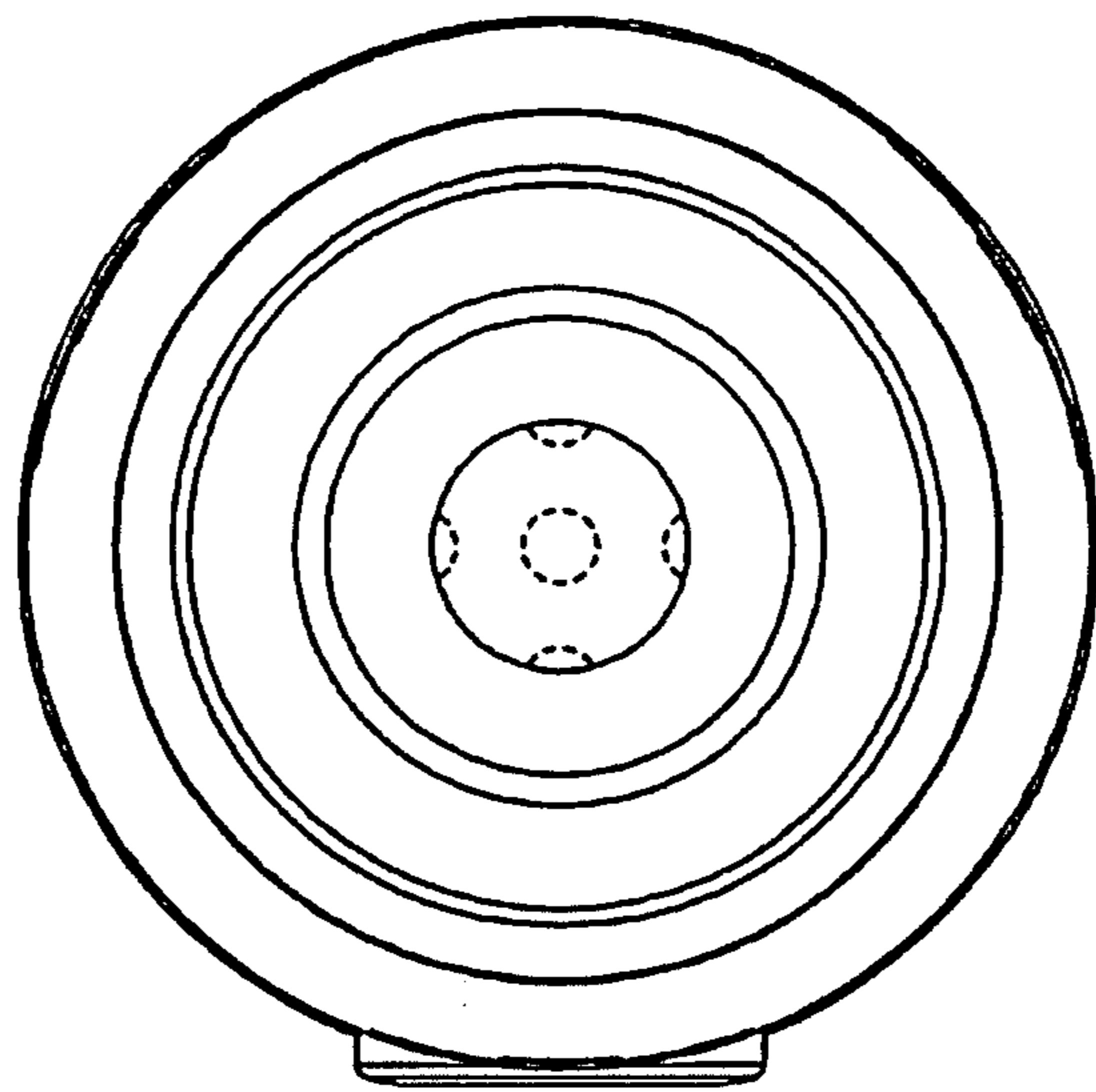


Fig. 4

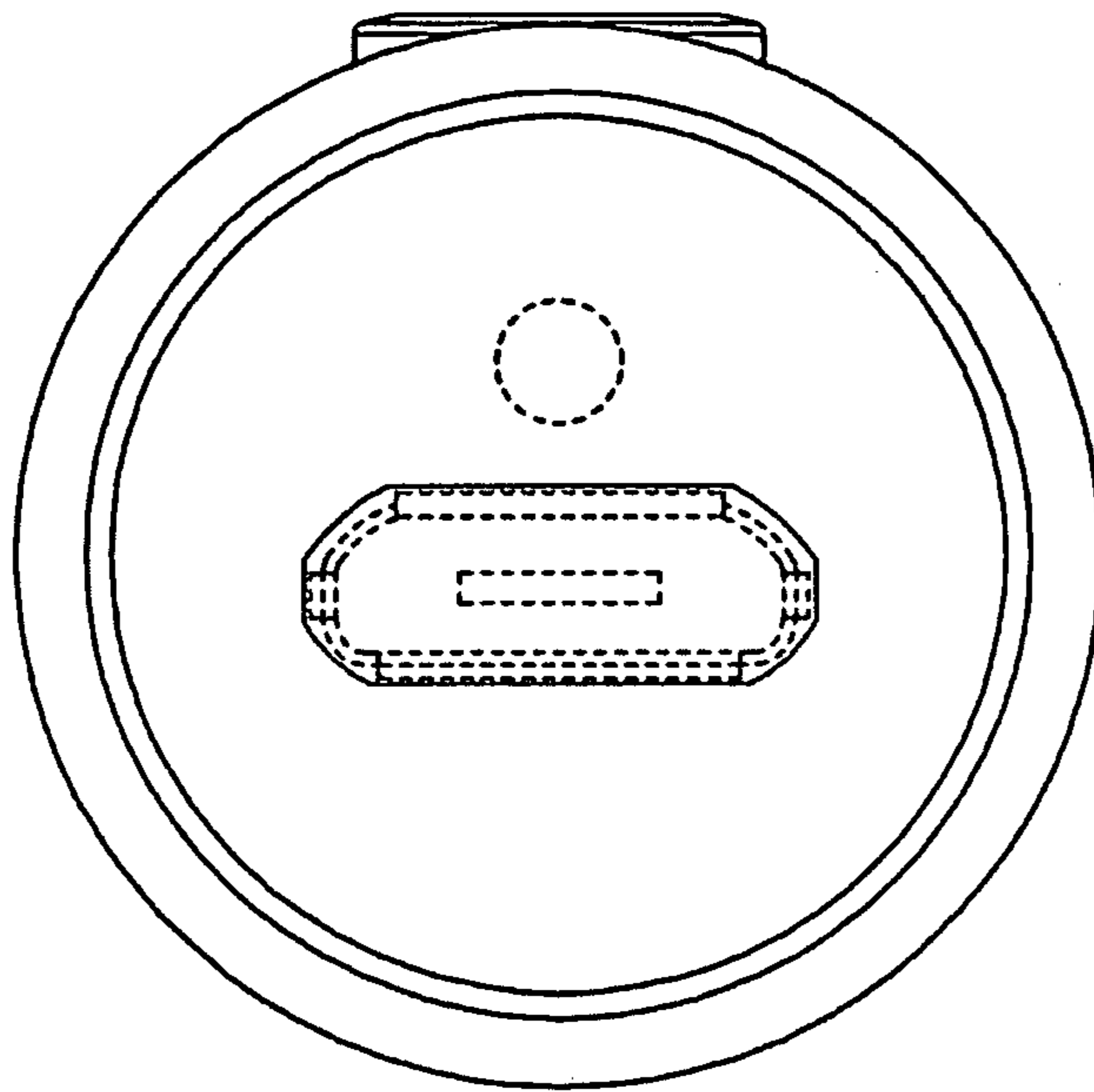


Fig. 5

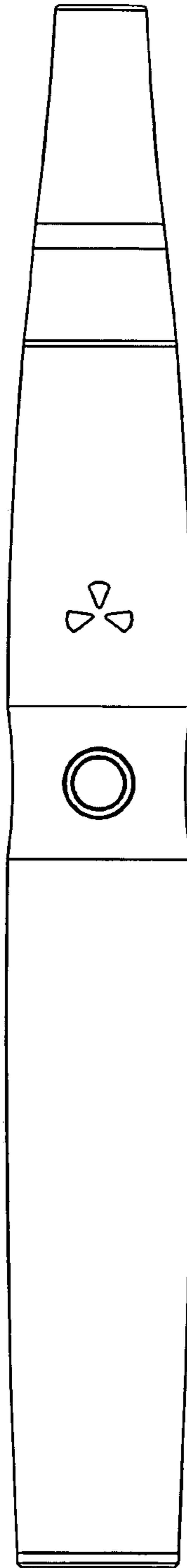


Fig. 6

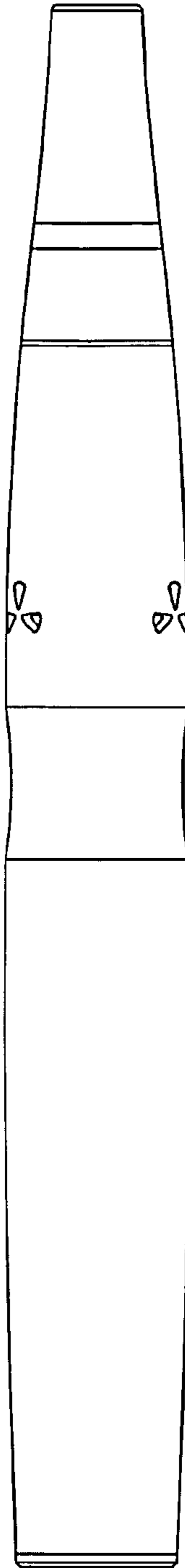


Fig. 7