



US00D732238S

(12) **United States Design Patent**  
**Kling et al.**

(10) **Patent No.:** **US D732,238 S**  
(45) **Date of Patent:** **\*\* Jun. 16, 2015**

(54) **LAMP HOUSING**

(75) Inventors: **Michael R. Kling**, Lexington, KY (US);  
**Jeffrey P. Buschmann**, Lexington, KY  
(US); **James E. Oetken**, Winchester, KY  
(US)

(73) Assignee: **OSRAM SYLVANIA Inc.**, Danvers,  
MA (US)

(\*\*) Term: **14 Years**

(21) Appl. No.: **29/348,208**

(22) Filed: **Dec. 9, 2009**

(51) **LOC (10) Cl.** ..... **26-99**

(52) **U.S. Cl.**  
USPC ..... **D26/142**

(58) **Field of Classification Search**

USPC ..... D26/122, 76, 52, 84, 85, 87, 67, 68, 69,  
D26/154, 155, 152, 81, 128, 142, 144, 124,  
D26/116, 138, 120, 60, 43, 24, 63, 72, 113,  
D26/71, 65, 118, 61, 78, 51, 2, 119, 130,  
D26/140, 141; D25/119, 138, 140; 362/147,  
362/297, 84, 362, 376, 33, 240, 241, 294,  
362/138, 153.1, 650, 257, 341, 351;  
D16/135; D5/62; D8/370; 160/332;  
52/533; D11/79, 90, 9, 8; 431/289;  
433/29, 30; D24/158, 209, 210;  
D13/134, 179, 180; 257/712; 359/809

See application file for complete search history.

(56) **References Cited**

**U.S. PATENT DOCUMENTS**

D284,792 S \* 7/1986 Thiry et al. .... D26/2  
4,598,225 A 7/1986 Gagnon  
4,687,963 A 8/1987 Gagnon et al.  
4,816,977 A \* 3/1989 Sorensen ..... 362/448  
D306,765 S \* 3/1990 Pavelin ..... D26/2  
5,036,244 A 7/1991 Shaffer

5,057,735 A 10/1991 Zalar et al.  
D321,762 S 11/1991 Mujahid et al.  
D327,132 S \* 6/1992 Schuster ..... D26/3  
5,751,095 A 5/1998 Zalar  
D435,306 S \* 12/2000 McBride ..... D26/2  
D435,576 S \* 12/2000 McBride ..... D16/203  
D435,577 S 12/2000 McBride  
D470,610 S \* 2/2003 Bobel ..... D26/2  
6,741,034 B2 5/2004 Scholz  
D498,007 S \* 11/2004 Bobel ..... D26/2  
D514,237 S \* 1/2006 Buschmann et al. .... D26/2  
7,008,096 B1 3/2006 Coughaine et al.  
7,207,695 B2 4/2007 Coughaine et al.  
D541,957 S \* 5/2007 Wang ..... D26/2  
D545,456 S \* 6/2007 Foo ..... D26/2  
7,261,451 B2 8/2007 Coughaine et al.  
D556,348 S \* 11/2007 Foo ..... D26/2  
D566,300 S \* 4/2008 Lo ..... D26/2  
D587,823 S \* 3/2009 Li et al. .... D26/2

(Continued)

**OTHER PUBLICATIONS**

Sylvania PAR 38 lamp, on sale by Osram Sylvania Inc. in the U.S.  
more than one year before Applicants' filing date herein (color  
photograph, 1 page).

(Continued)

*Primary Examiner* — Kevin Rudzinski

(74) *Attorney, Agent, or Firm* — Edward S. Podszus

(57)

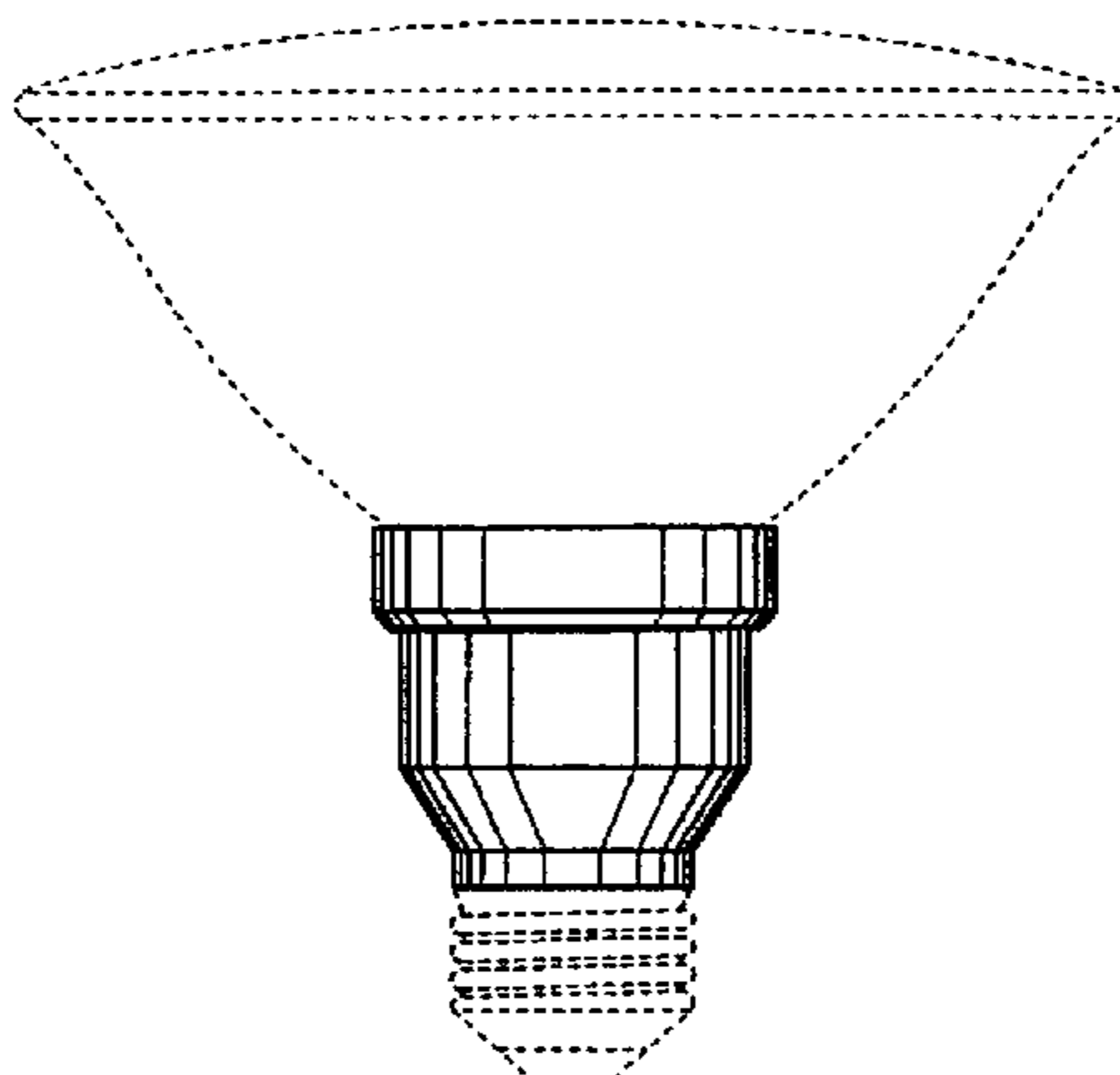
**CLAIM**

The ornamental design for a lamp housing, as shown and  
described.

**DESCRIPTION**

FIG. 1 is a side elevation view of the new design for a lamp  
housing, the other sides being the same; and,  
FIG. 2 is a bottom plan view thereof.  
The broken line disclosure is for environmental purposes only  
and does not form a part of the claimed design.

**1 Claim, 1 Drawing Sheet**



(56)

**References Cited**

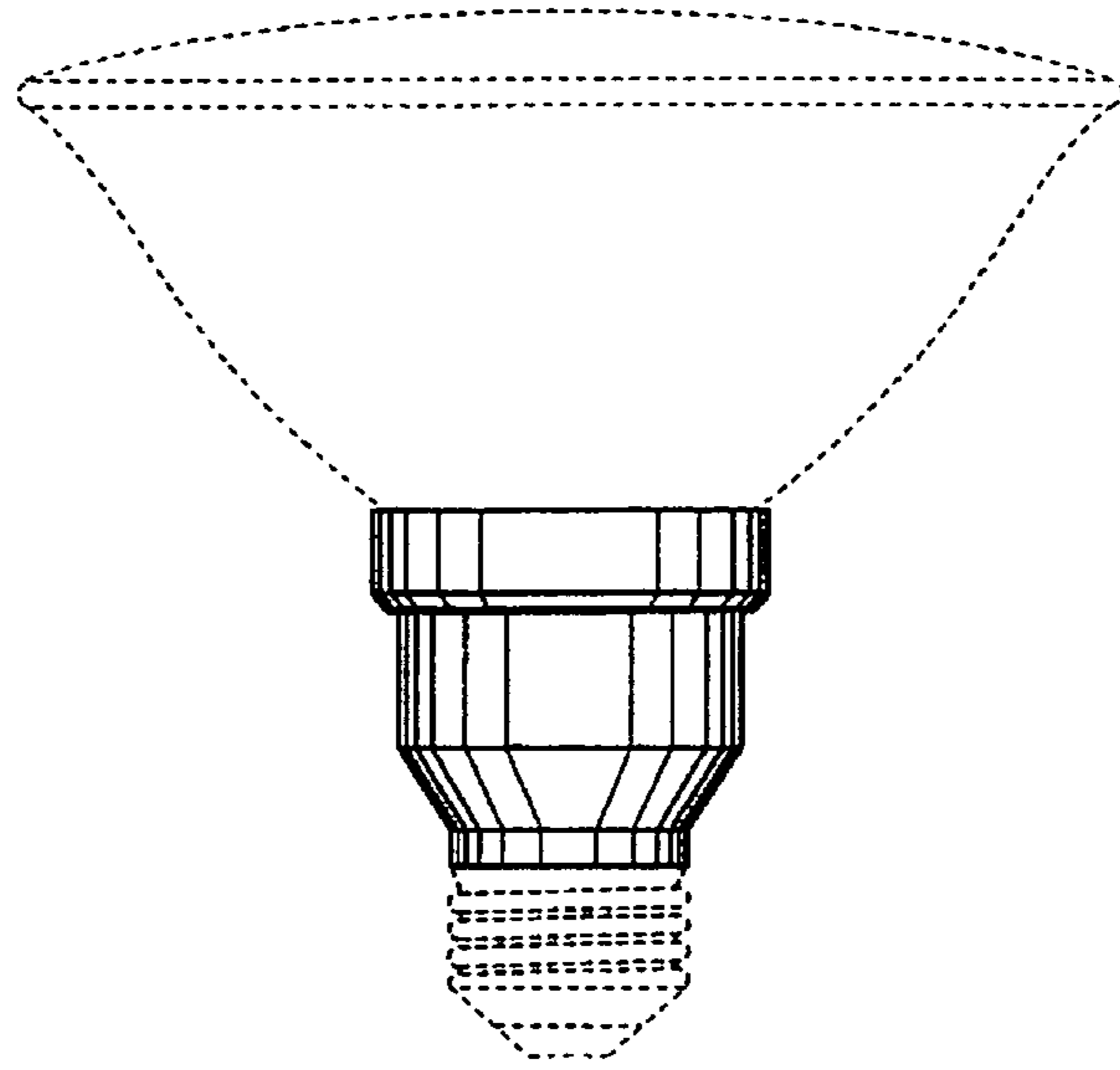
**OTHER PUBLICATIONS**

U.S. PATENT DOCUMENTS

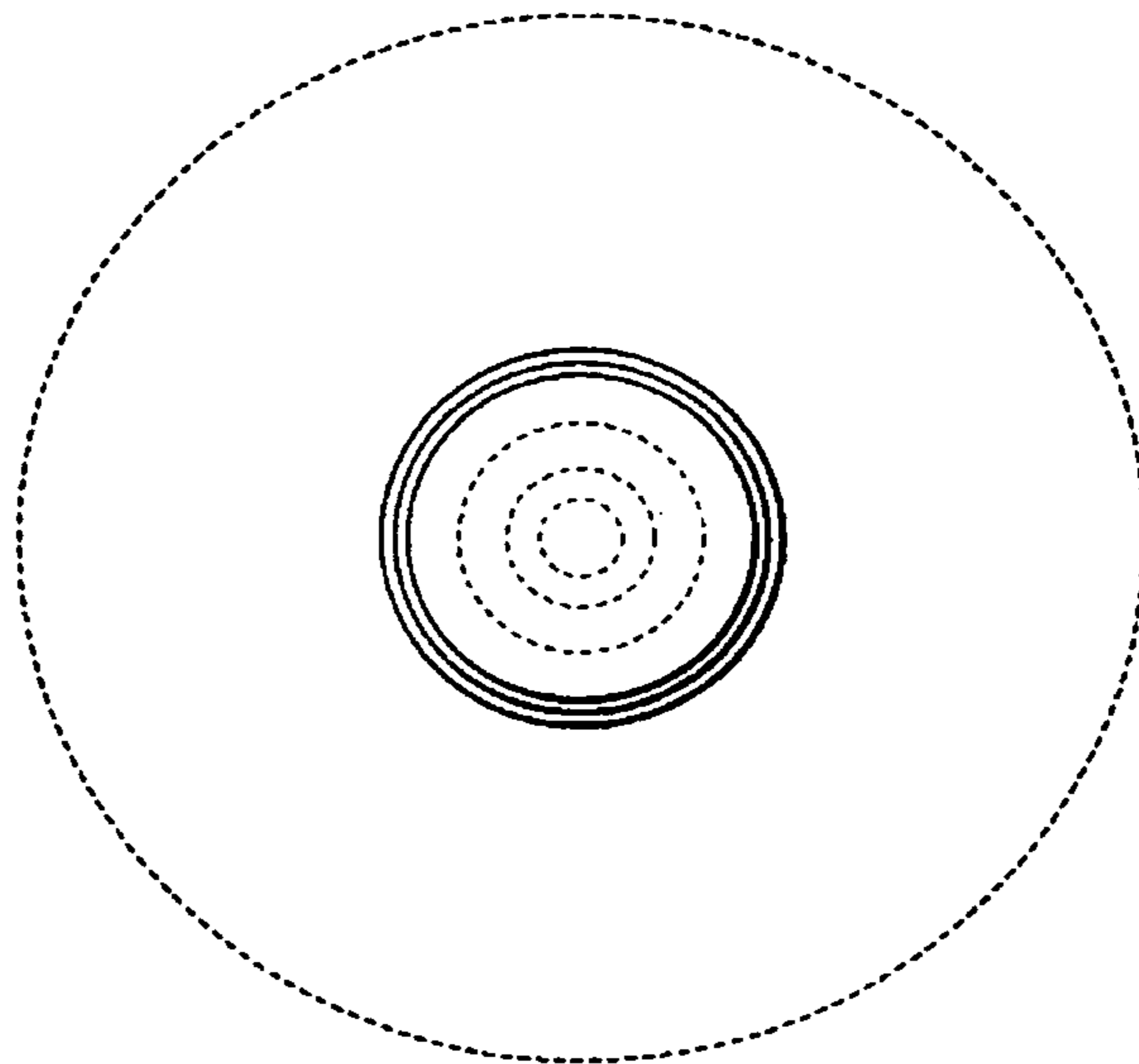
D597,226	S	7/2009	Richard et al.
2005/0212396	A1	9/2005	Oetken et al.
2005/0213332	A1	9/2005	Kendrick et al.
2006/0146548	A1*	7/2006	Pazula et al. .... 362/405
2007/0069652	A1	3/2007	Smith et al.
2008/0054775	A1	3/2008	Kling et al.
2008/0057819	A1	3/2008	Kling et al.
2008/0272695	A1	11/2008	Misiaszek et al.
2009/0103294	A1	4/2009	Zhang

Applicants' co-pending design U.S. Appl. No. 29/348,207 filed by all the inventors of the present application hereine, co-filed Dec. 19, 2009, claiming and disclosing a design for a "PAR lamp" containing a portion of the lamp the "Lamp Housing" design claimed herein in the present application (U.S. Appl. No. 29/348,208).

\* cited by examiner



**FIG. 1**



**FIG. 2**