



US00D732236S

(12) **United States Design Patent**
Reynolds

(10) **Patent No.:** **US D732,236 S**
(45) **Date of Patent:** **** Jun. 16, 2015**

- (54) **LIGHT FIXTURE**
- (71) Applicant: **IP Holdings, LLC**, Vancouver, WA (US)
- (72) Inventor: **Christopher Reynolds**, Vancouver, WA (US)
- (73) Assignee: **IP Holdings, LLC**, Vancouver, WA (US)
- (**) Term: **14 Years**
- (21) Appl. No.: **29/502,094**
- (22) Filed: **Sep. 11, 2014**
- (51) **LOC (10) Cl.** **26-99**
- (52) **U.S. Cl.**
USPC **D26/118**
- (58) **Field of Classification Search**
USPC D26/25-26, 28, 51, 55-57, 59-64, 66, D26/72-91, 93, 113, 118-120, 122, 138, D26/140-142; 362/145-148, 150-153, 362/153.1, 217.01, 217.02, 217.05-217.07, 362/217.1, 217.15, 218, 223, 241, 249.02, 362/296.07, 296.08, 294, 299, 311.02, 362/341-345, 362, 373, 563, 580, 600, 608, 362/609, 640, 641, 805; D11/142, 143, D11/144, 155
See application file for complete search history.

- D617,028 S * 6/2010 Verfuert et al. D26/75
- D637,341 S * 5/2011 Wardenburg D26/118
- D650,515 S * 12/2011 Bradley et al. D26/118

OTHER PUBLICATIONS

Sun System 630 Ceramic Metal Halide 120v Specifications, GrowersHouse.com, update on Sep. 9, 2014, online. Site visited Feb. 3, 2015. Internet URL:<"http://growershouse.com/aitdownloadablefiles/download/aitfile/aitfile_id/583/">.*

* cited by examiner

Primary Examiner — Garth Rademaker
Assistant Examiner — Llorellys Martinez-Rivera
(74) *Attorney, Agent, or Firm* — J. Douglas Wells

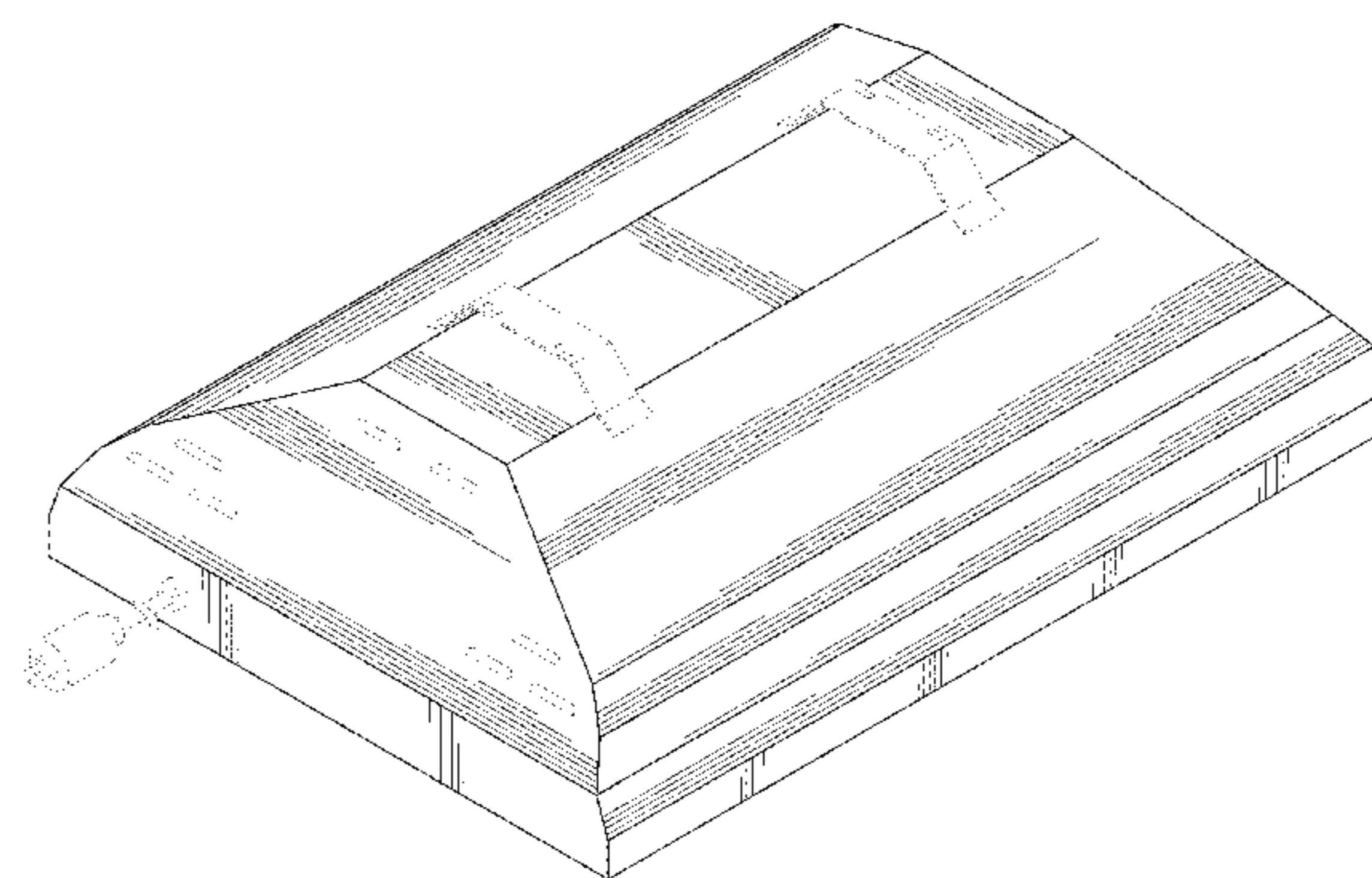
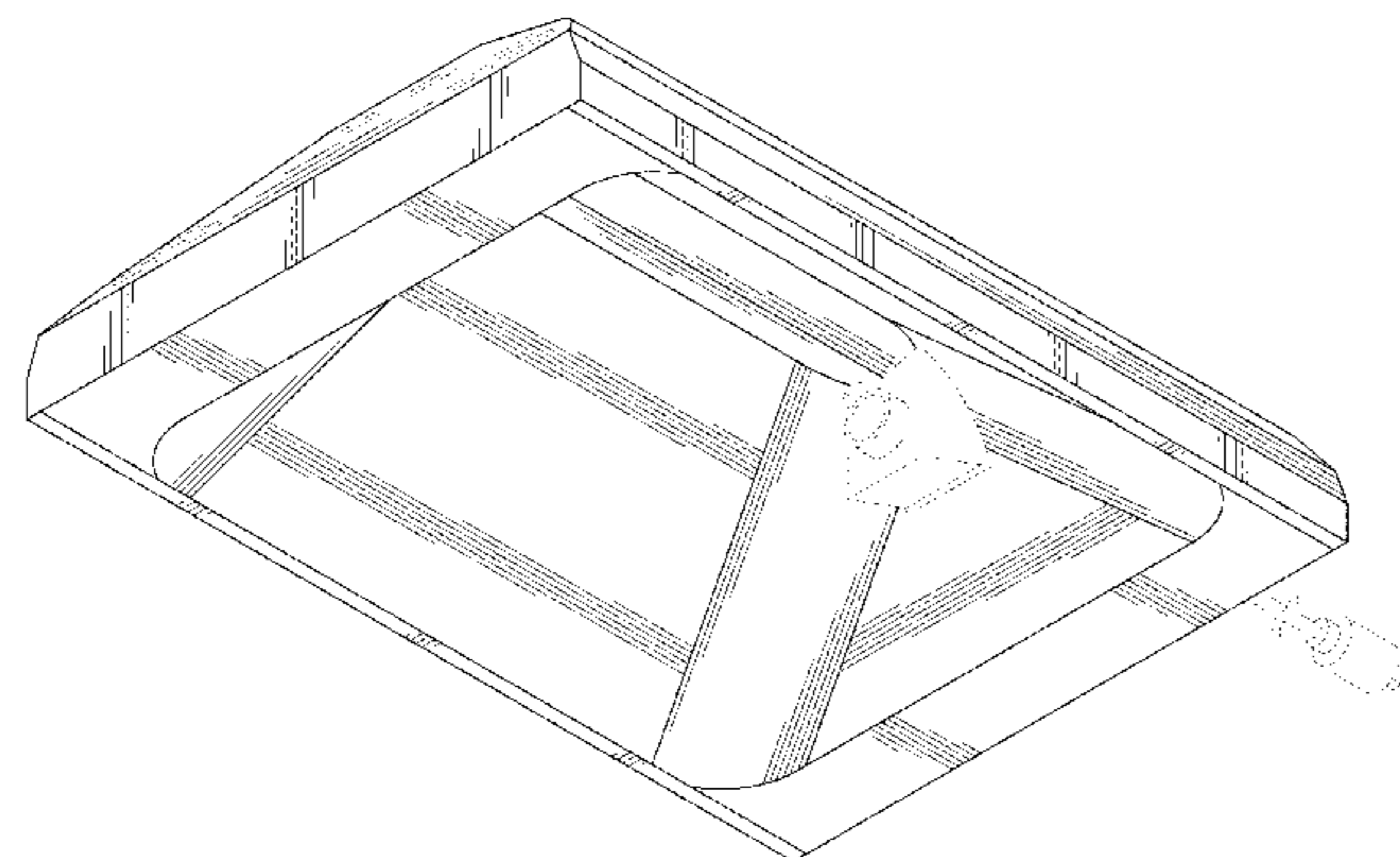
(57) **CLAIM**

The ornamental design for a light fixture, as shown and described.

DESCRIPTION

FIG. 1 is a bottom perspective view of a light fixture showing my new design;
FIG. 2 is a top perspective view of the light fixture shown in FIG. 1;
FIG. 3 is a left side view of the light fixture shown in FIG. 1;
FIG. 4 is a right side view of the light fixture shown in FIG. 1;
FIG. 5 is a front elevation view of the light fixture shown in FIG. 1;
FIG. 6 is a rear elevation view of the light fixture shown in FIG. 1;
FIG. 7 is a top plan view of the light fixture shown in FIG. 1; and,
FIG. 8 is a bottom plan view of the light fixture shown in FIG. 1.
The broken lines illustrate portions of the light fixture which form no part of the claimed design.

1 Claim, 6 Drawing Sheets



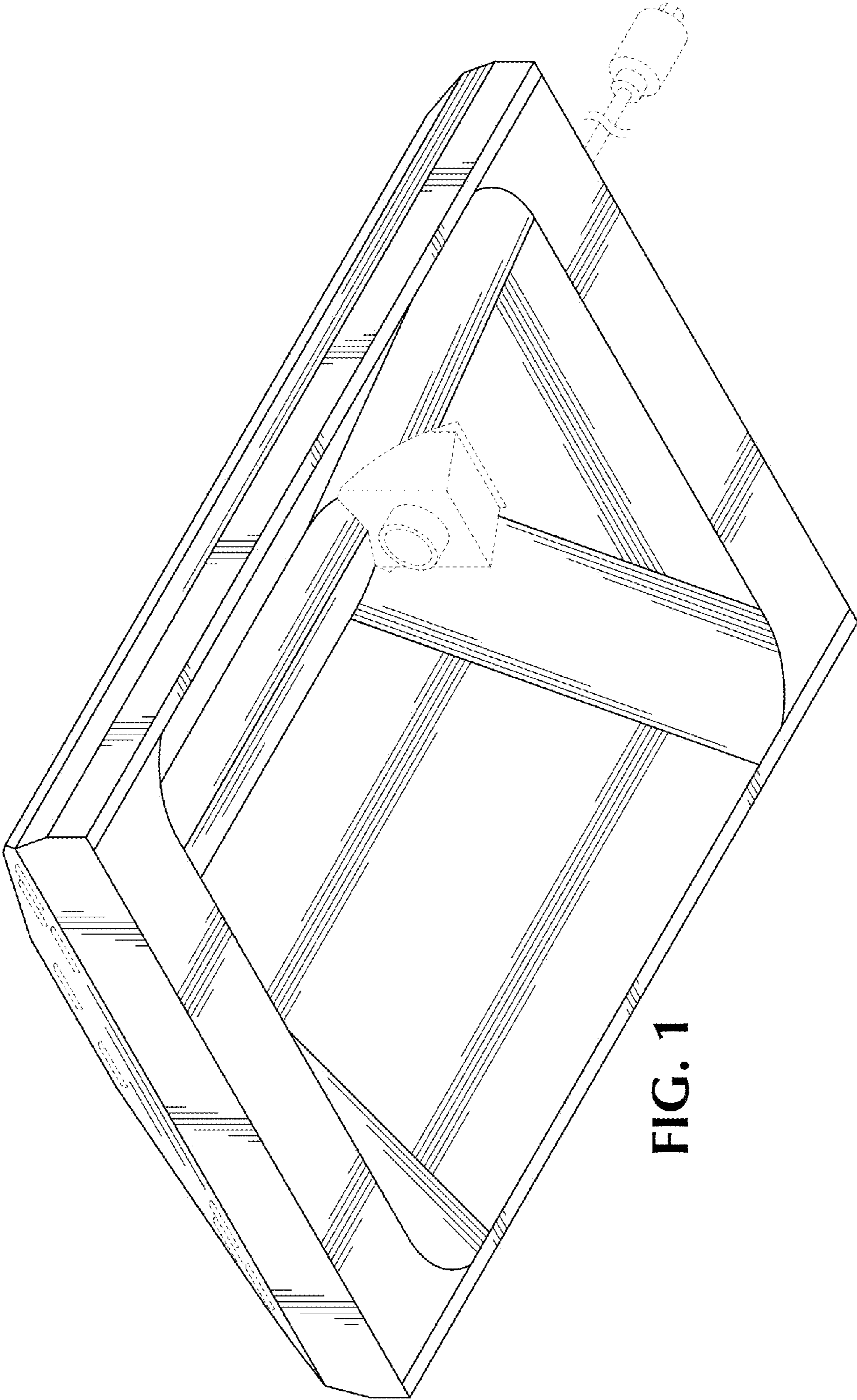


FIG. 1

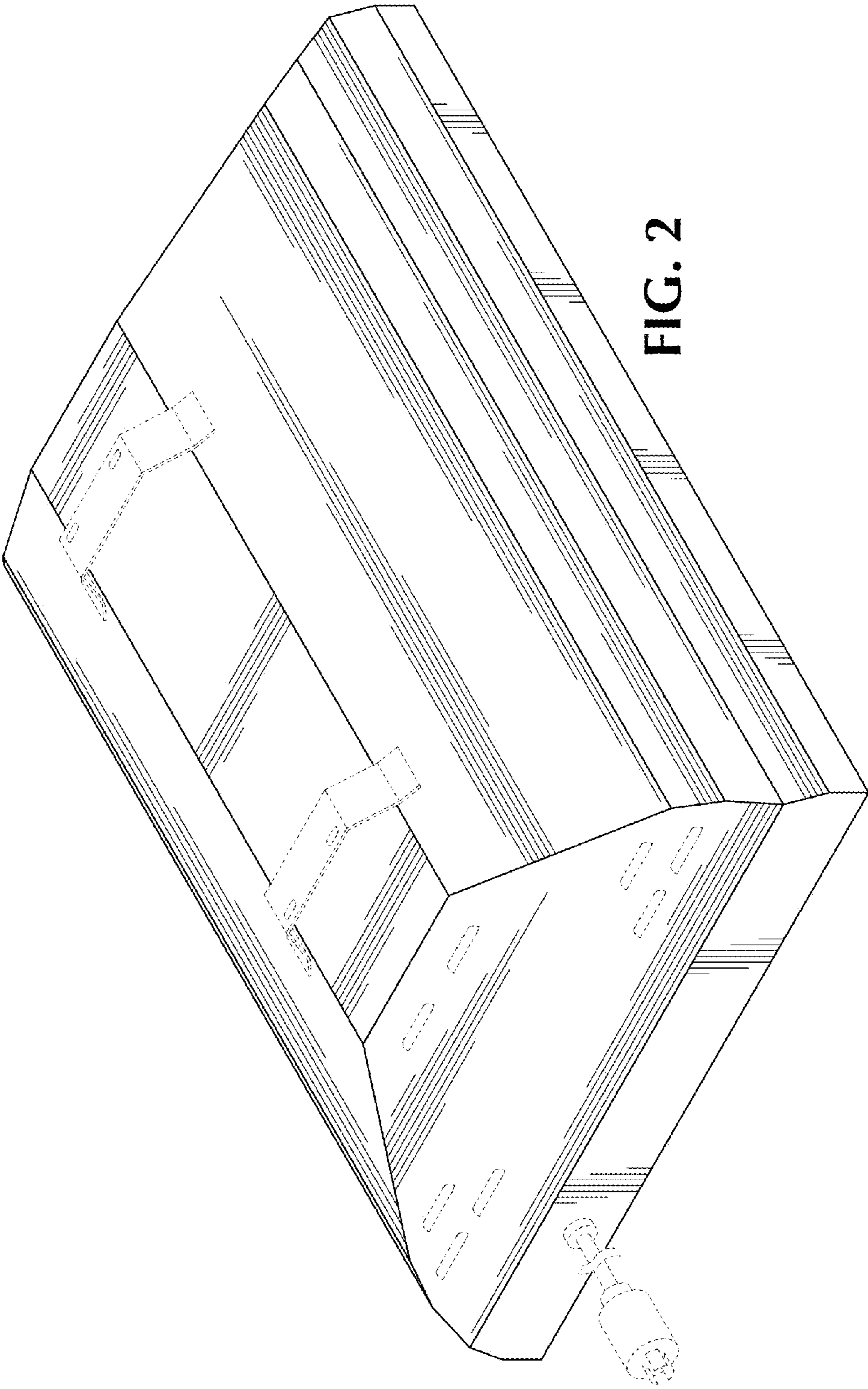


FIG. 2



FIG. 3

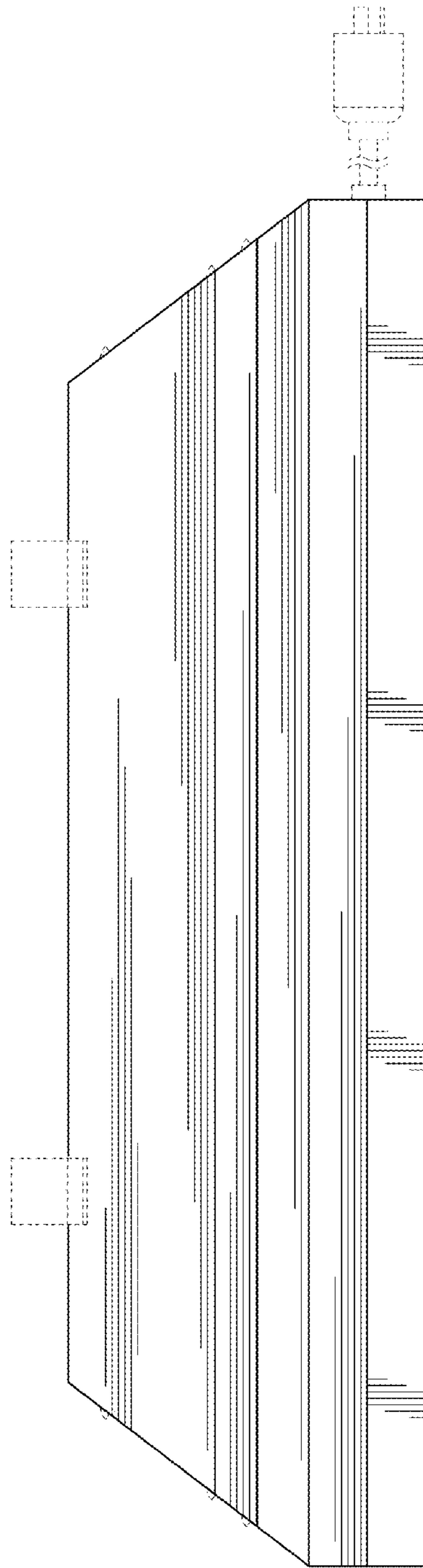


FIG. 4

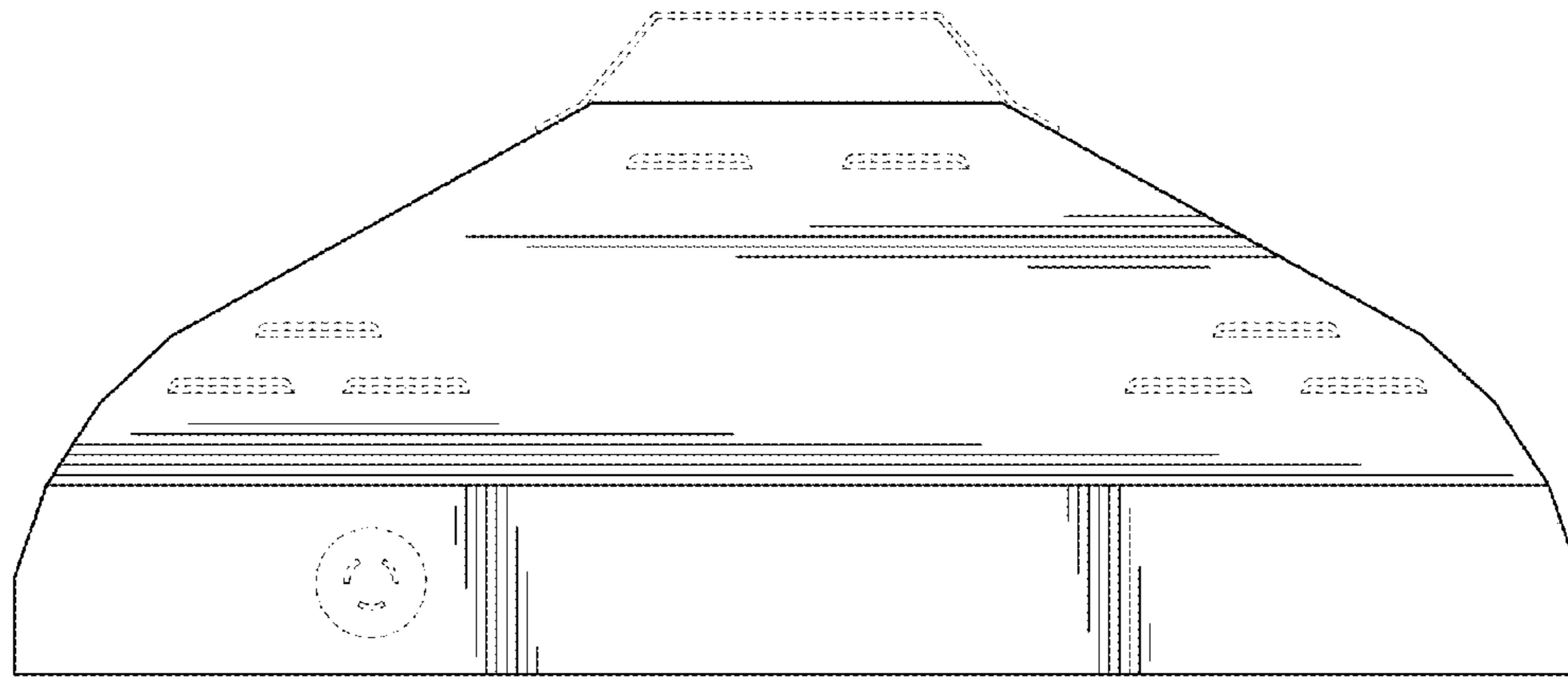


FIG. 5

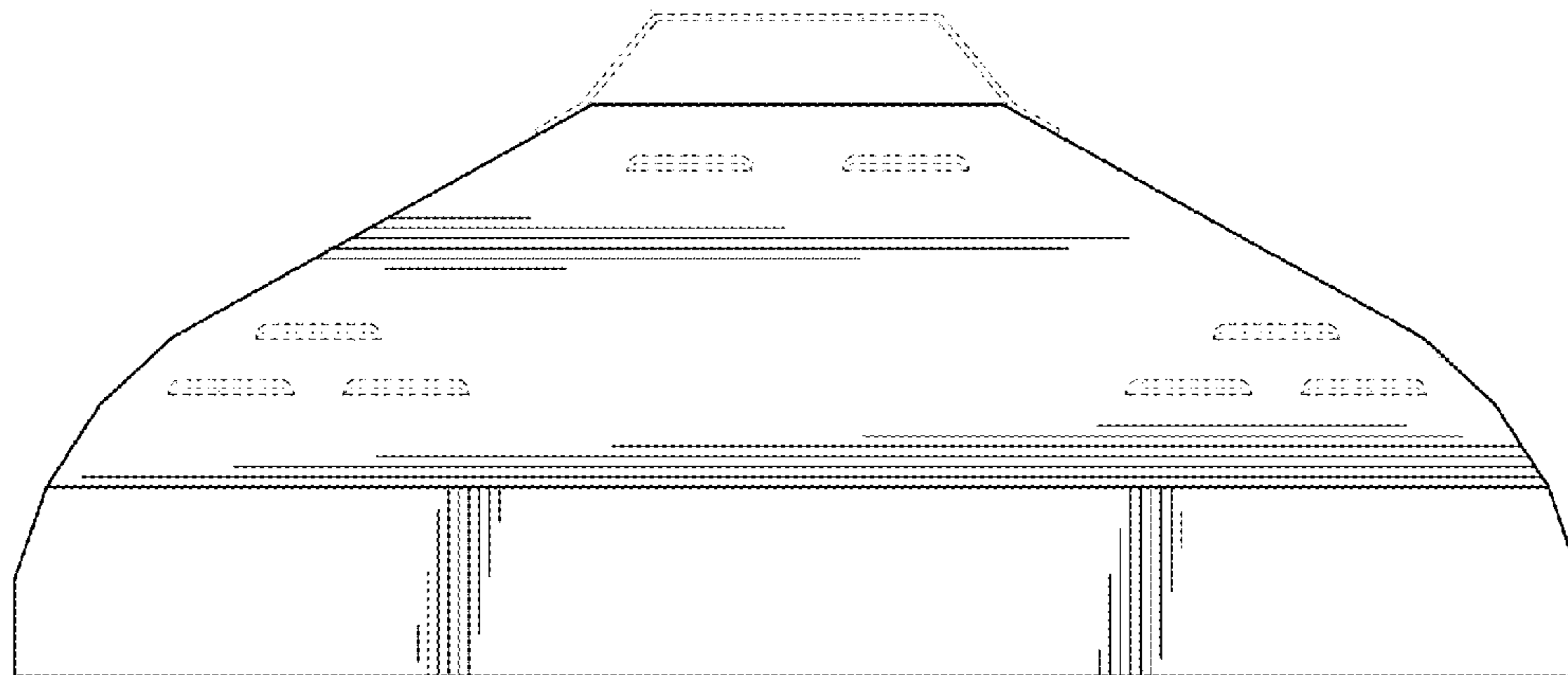


FIG. 6

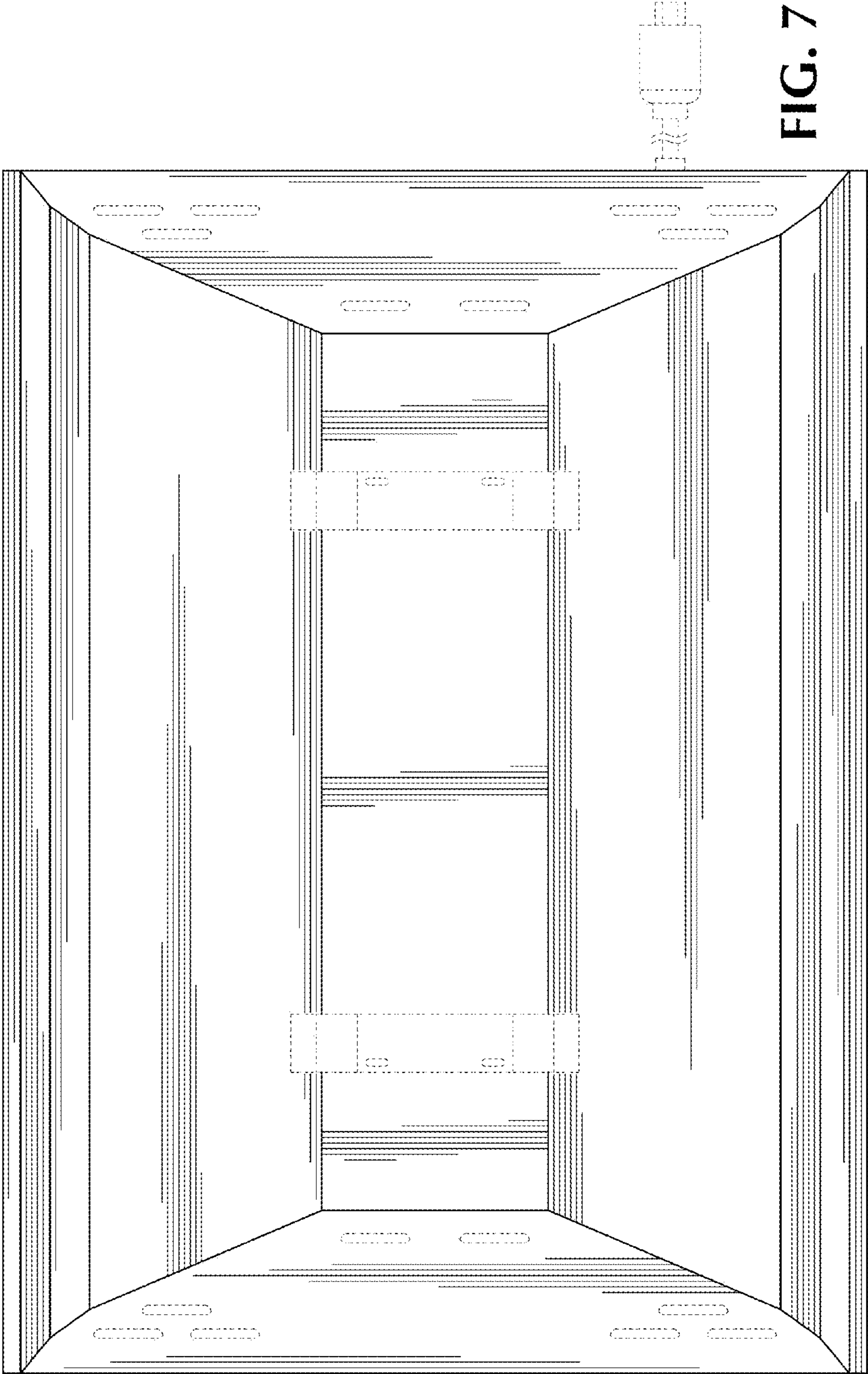


FIG. 7

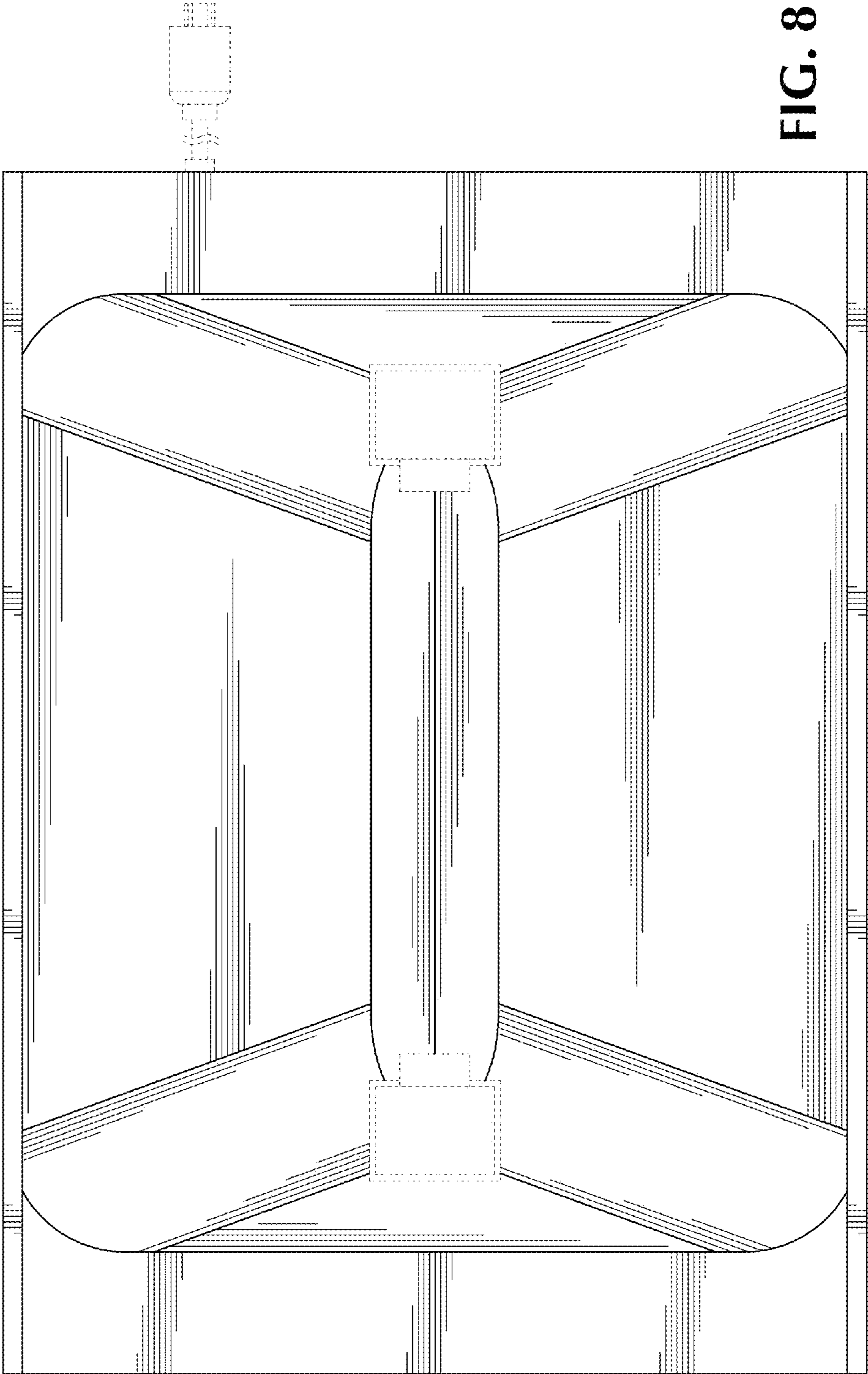


FIG. 8