



US00D732235S

(12) **United States Design Patent**
Reynolds

(10) **Patent No.:** **US D732,235 S**
(45) **Date of Patent:** **** Jun. 16, 2015**

- (54) **HORTICULTURE GROW LIGHT**
- (71) Applicant: **IP Holdings, LLC**, Vancouver, WA (US)
- (72) Inventor: **Christopher Reynolds**, Vancouver, WA (US)
- (73) Assignee: **IP Holdings, LLC**, Vancouver, WA (US)
- (**) Term: **14 Years**
- (21) Appl. No.: **29/498,791**
- (22) Filed: **Aug. 7, 2014**
- (51) **LOC (10) Cl.** **26-99**
- (52) **U.S. Cl.**
USPC **D26/118**
- (58) **Field of Classification Search**
USPC D26/25-26, 28, 51, 55-57, 59-64, 66,
D26/72-91, 93, 113, 118-120, 122, 138,
D26/140-142; 362/145-148, 150-153,
362/153.1, 217.01, 217.02, 217.05-217.07,
362/217.1, 217.15, 218, 223, 241, 249.02,
362/296.07, 296.08, 294, 299, 311.02,
362/341-345, 362, 373, 563, 580, 600, 608,
362/609, 640, 641, 805; D11/142, 143,
D11/144, 155
See application file for complete search history.

(56) **References Cited**

U.S. PATENT DOCUMENTS

D106,614 S *	10/1937	Waterbury	D26/91
D123,768 S	12/1940	Scribner		
D135,375 S *	3/1943	Biller	D26/76
3,272,978 A	9/1966	Jackson		
4,531,180 A	7/1985	Hernandez		
D300,877 S *	4/1989	Cyr	D26/118
4,933,821 A	6/1990	Anderson		
D311,597 S	10/1990	Poot		
D352,126 S *	11/1994	Ruud et al.	D26/67
D419,248 S *	1/2000	Lyons	D26/28

6,152,579 A 11/2000 Reed et al.
D456,938 S 5/2002 Wardenburg
D459,825 S 7/2002 Field

(Continued)

OTHER PUBLICATIONS

Dominator XXXL Non AC Reflector pack of 3 Spec Sheet, GreenTreesHydroponics.com, date available Mar. 12, 2014, online. Site visited Feb. 3, 2015. Internet URL:<"https://www.hydroponics.net/i/141477">.*

Primary Examiner — Garth Rademaker

Assistant Examiner — Llorellys Martinez-Rivera

(74) *Attorney, Agent, or Firm* — J. Douglas Wells

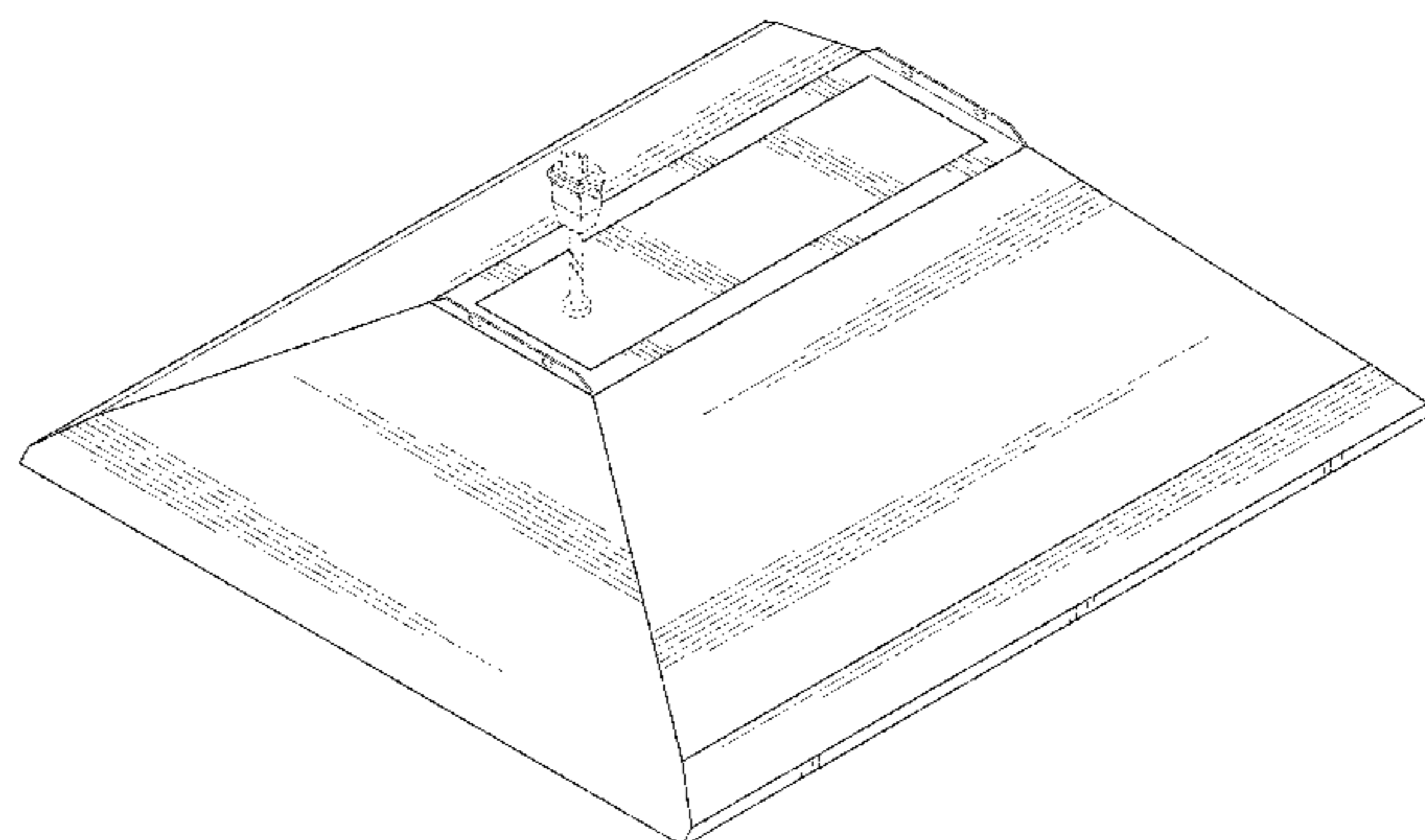
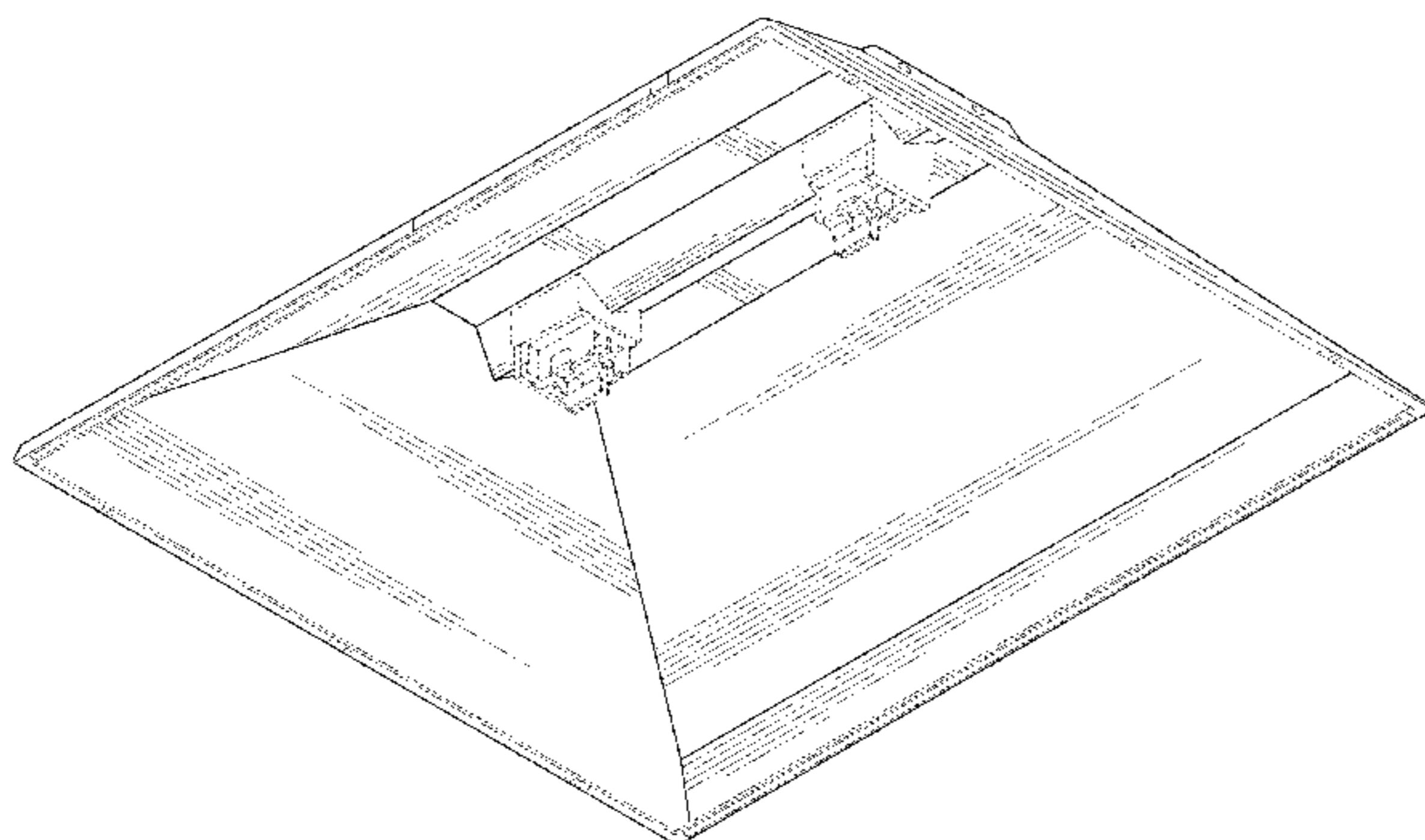
(57) **CLAIM**

The ornamental design for a horticulture grow light, as shown and described.

DESCRIPTION

FIG. 1 is a bottom perspective view of a horticulture grow light, showing a first embodiment of my new design;
FIG. 2 is a top perspective view thereof;
FIG. 3 is a left side view thereof;
FIG. 4 is a right side view thereof;
FIG. 5 is a front elevation view thereof;
FIG. 6 is a rear elevation view thereof;
FIG. 7 is a top plan view thereof;
FIG. 8 is a bottom plan view thereof;
FIG. 9 is a bottom perspective view of a horticulture grow light, showing a second embodiment of my new design;
FIG. 10 is a top perspective view thereof;
FIG. 11 is a left side view thereof;
FIG. 12 is a right side view thereof;
FIG. 13 is a front elevation view thereof;
FIG. 14 is a rear elevation view thereof;
FIG. 15 is a top plan view thereof; and,
FIG. 16 is a bottom plan view thereof.
The broken lines in the drawings illustrate portions of the horticulture grow light which form no part of the claimed design.

1 Claim, 12 Drawing Sheets



(56)

References Cited

U.S. PATENT DOCUMENTS

D469,564 S 1/2003 Brok
 6,527,422 B1 3/2003 Hutchison
 6,595,662 B2 7/2003 Wardenburg
 D542,460 S 5/2007 Hargreaves
 D543,652 S 5/2007 Hargreaves
 D543,654 S 5/2007 Hargreaves
 D544,139 S 6/2007 Hargreaves
 D544,626 S 6/2007 Hargreaves
 D544,983 S 6/2007 Hargreaves
 D544,984 S 6/2007 Hargreaves
 D544,985 S 6/2007 Hargreaves
 D544,987 S 6/2007 Hargreaves
 D544,994 S 6/2007 Hargreaves
 D544,995 S 6/2007 Hargreaves
 D545,484 S 6/2007 Hargreaves
 D545,994 S 7/2007 Hargreaves
 7,524,090 B2 4/2009 Hargreaves

D603,087 S 10/2009 Mo et al.
 7,641,367 B2 1/2010 Hargreaves et al.
 D614,801 S 4/2010 Collins et al.
 D634,060 S 3/2011 Wardenburg
 D634,468 S 3/2011 Hargreaves
 D634,469 S 3/2011 Hargreaves
 D637,341 S * 5/2011 Wardenburg D26/118
 D637,752 S 5/2011 Mehktarian
 7,972,044 B2 7/2011 Burkhauser
 8,209,912 B2 7/2012 Hargreaves et al.
 D675,369 S 1/2013 Michaud
 D678,599 S 3/2013 Boyer et al.
 D683,064 S 5/2013 Tuck
 D698,986 S * 2/2014 Reynolds D26/118
 2008/0205030 A1 8/2008 Hargreaves
 2008/0205071 A1 8/2008 Townsley
 2008/0278950 A1 11/2008 Pickard et al.
 2009/0262540 A1 10/2009 Hargreaves et al.
 2010/0238661 A1 * 9/2010 Pfund et al. 362/341
 2013/0250567 A1 * 9/2013 Edmond et al. 362/346

* cited by examiner

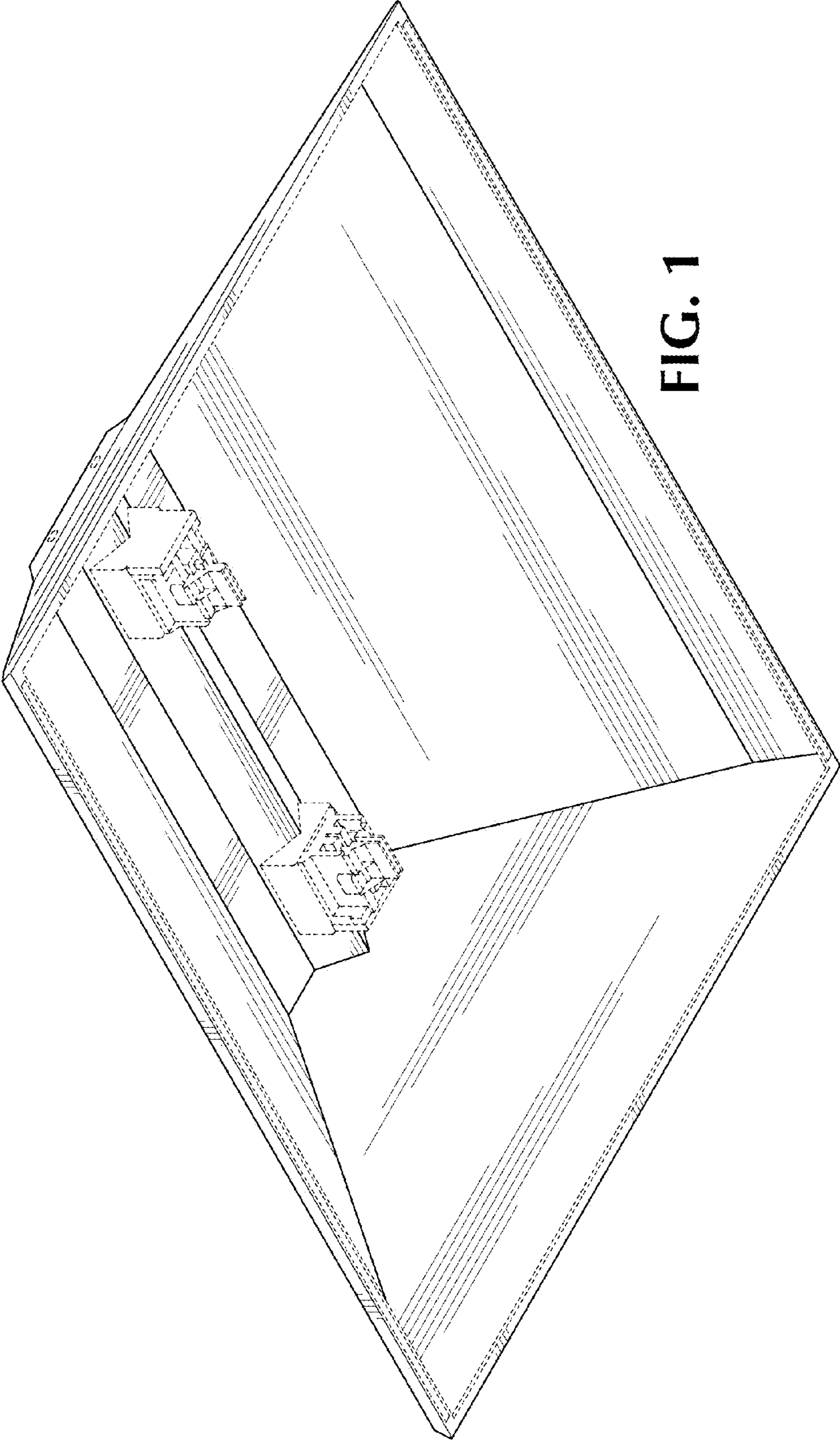


FIG. 1

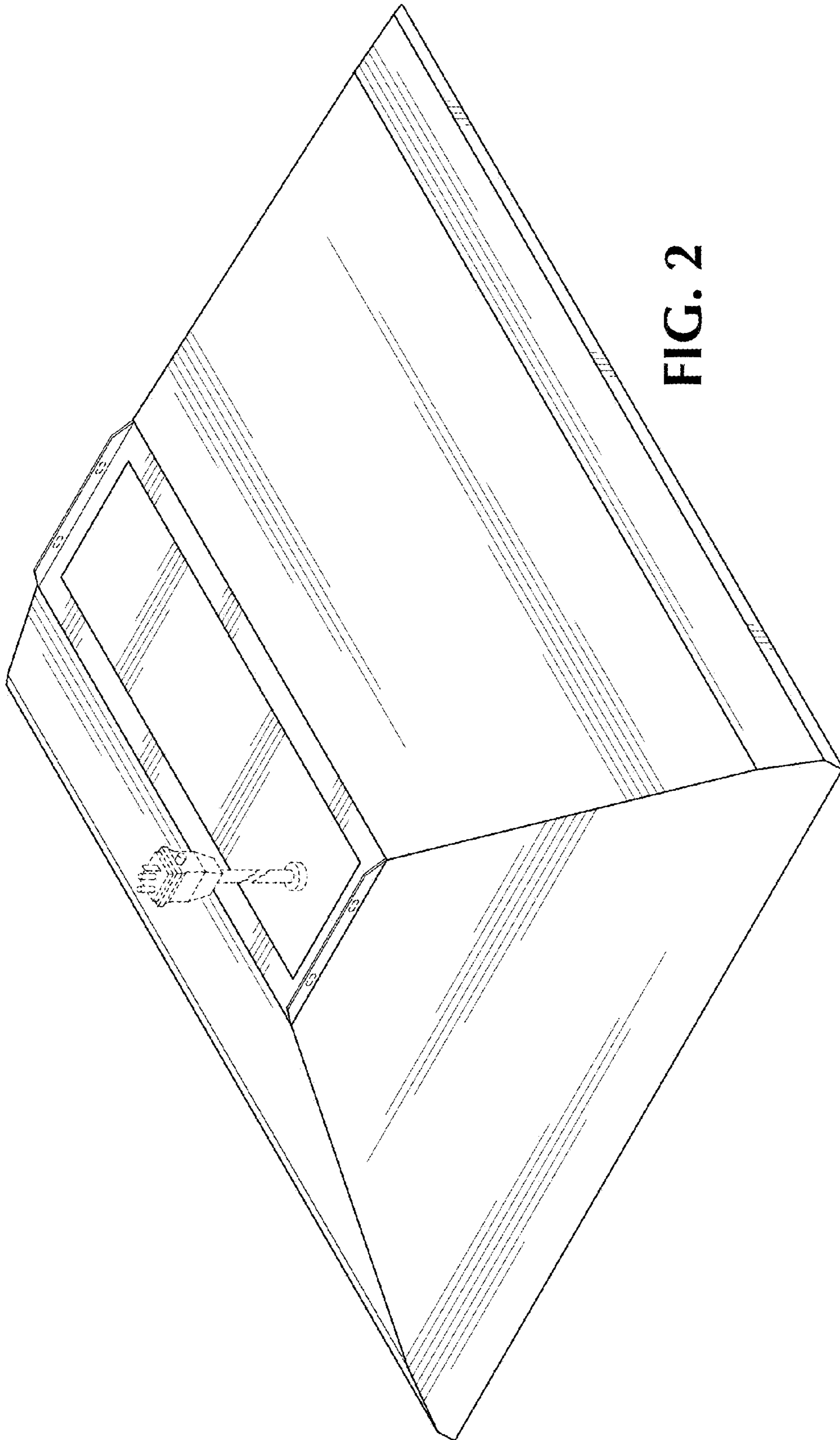
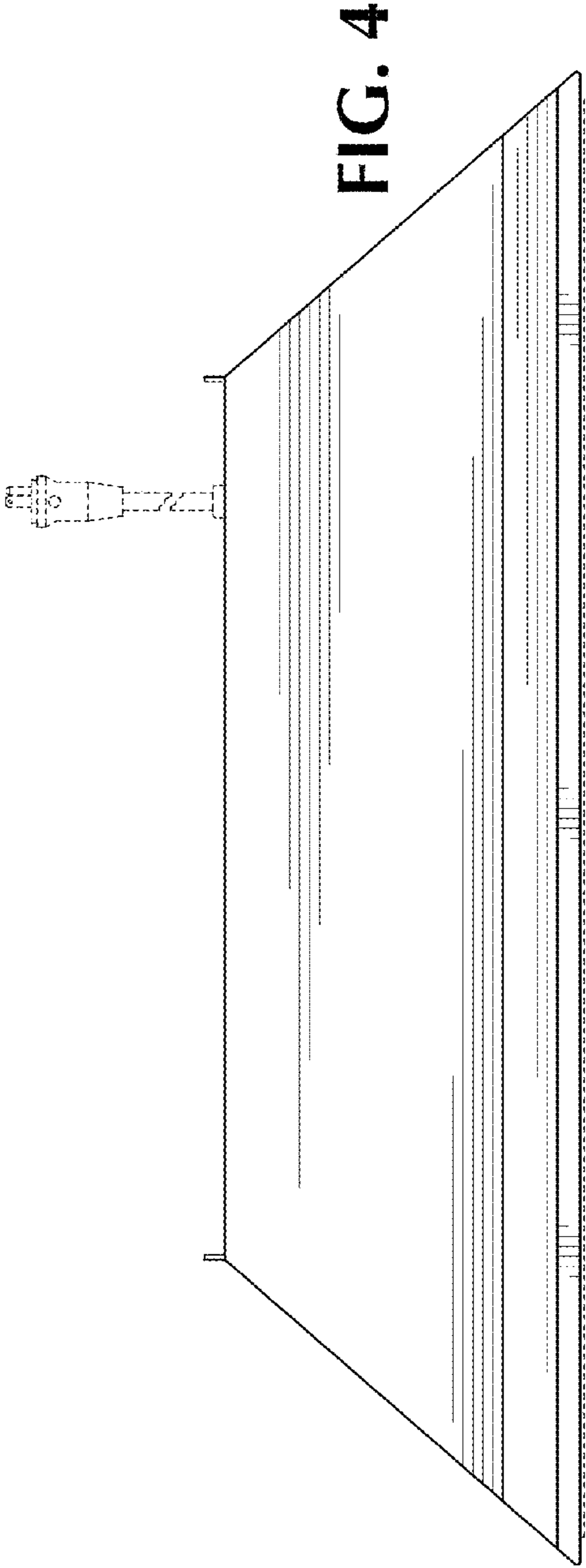


FIG. 2



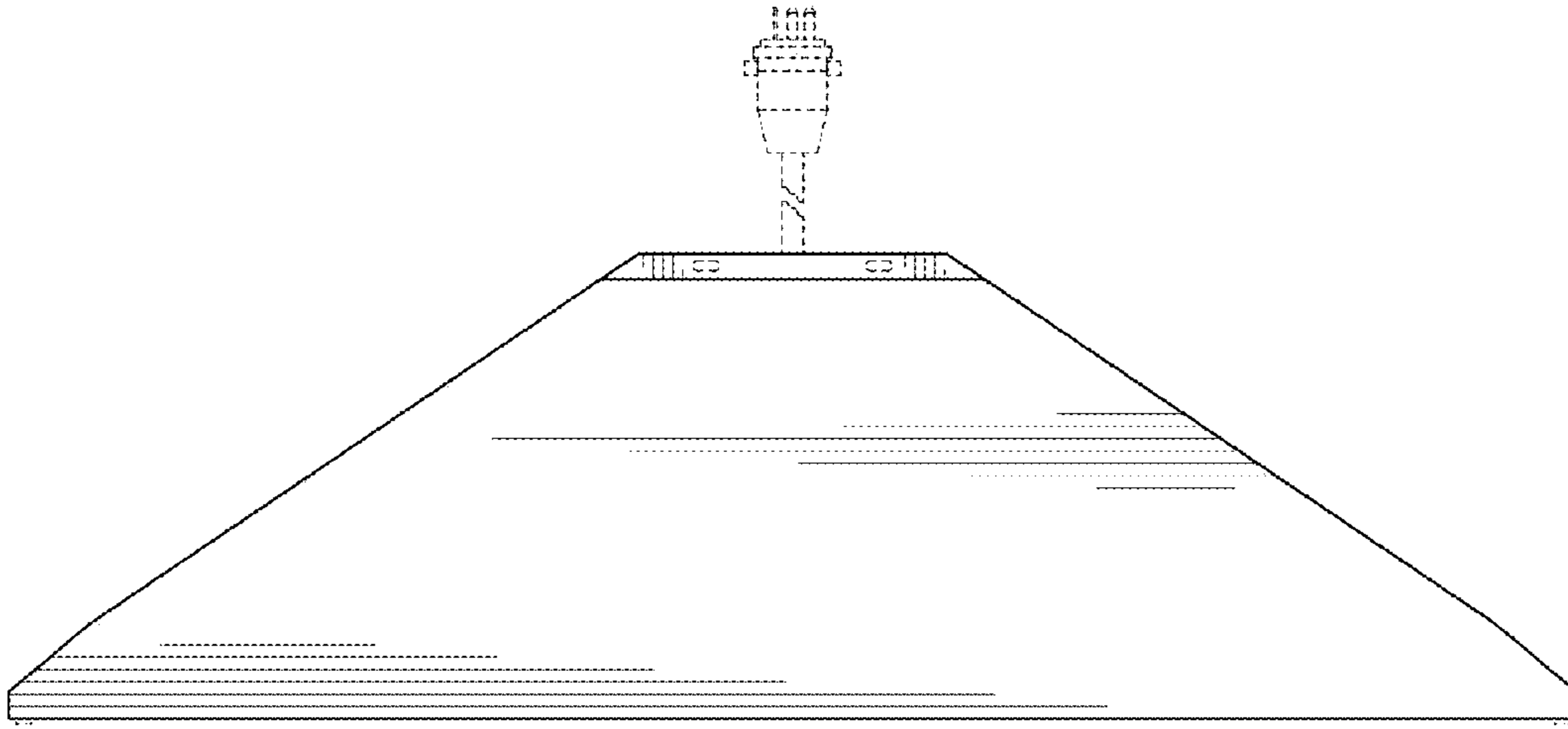


FIG. 5

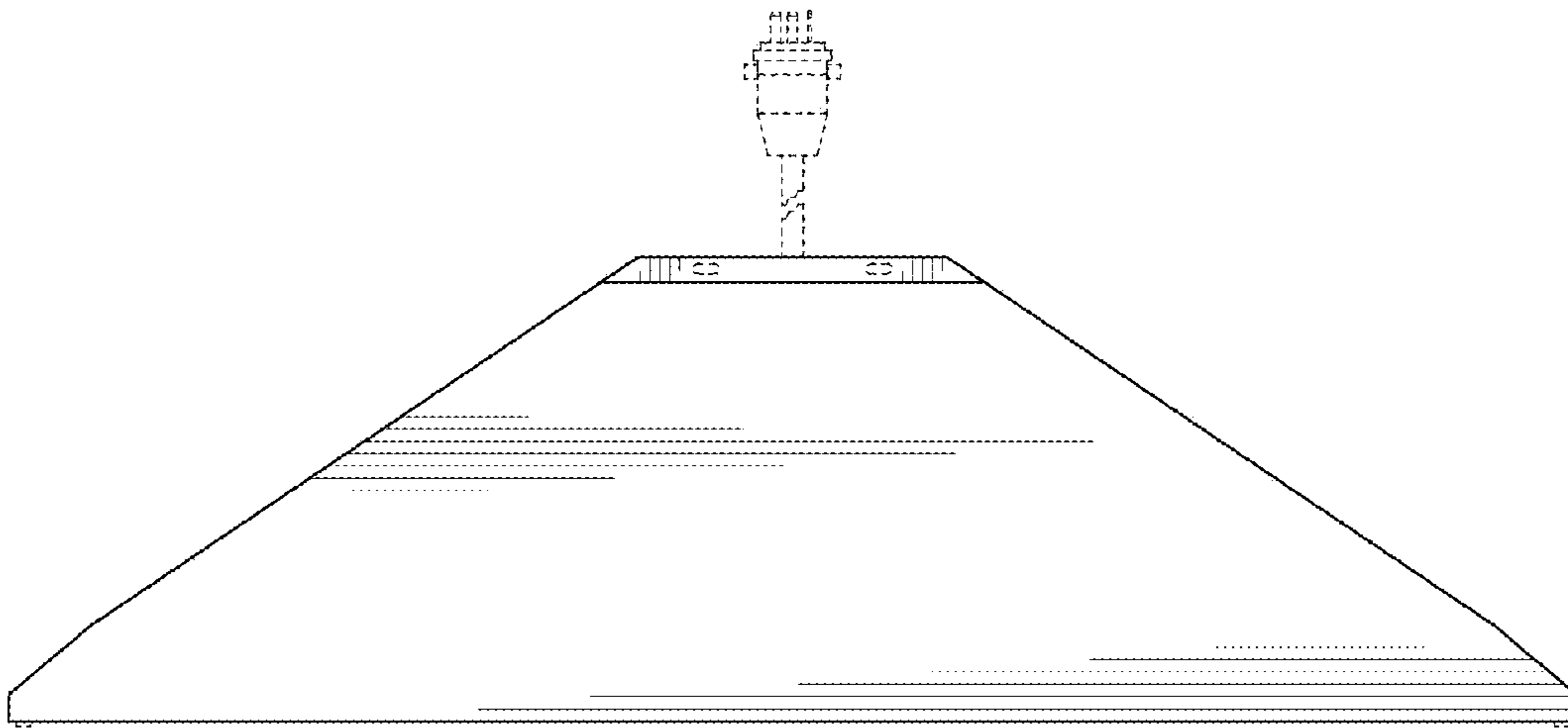


FIG. 6

FIG. 7

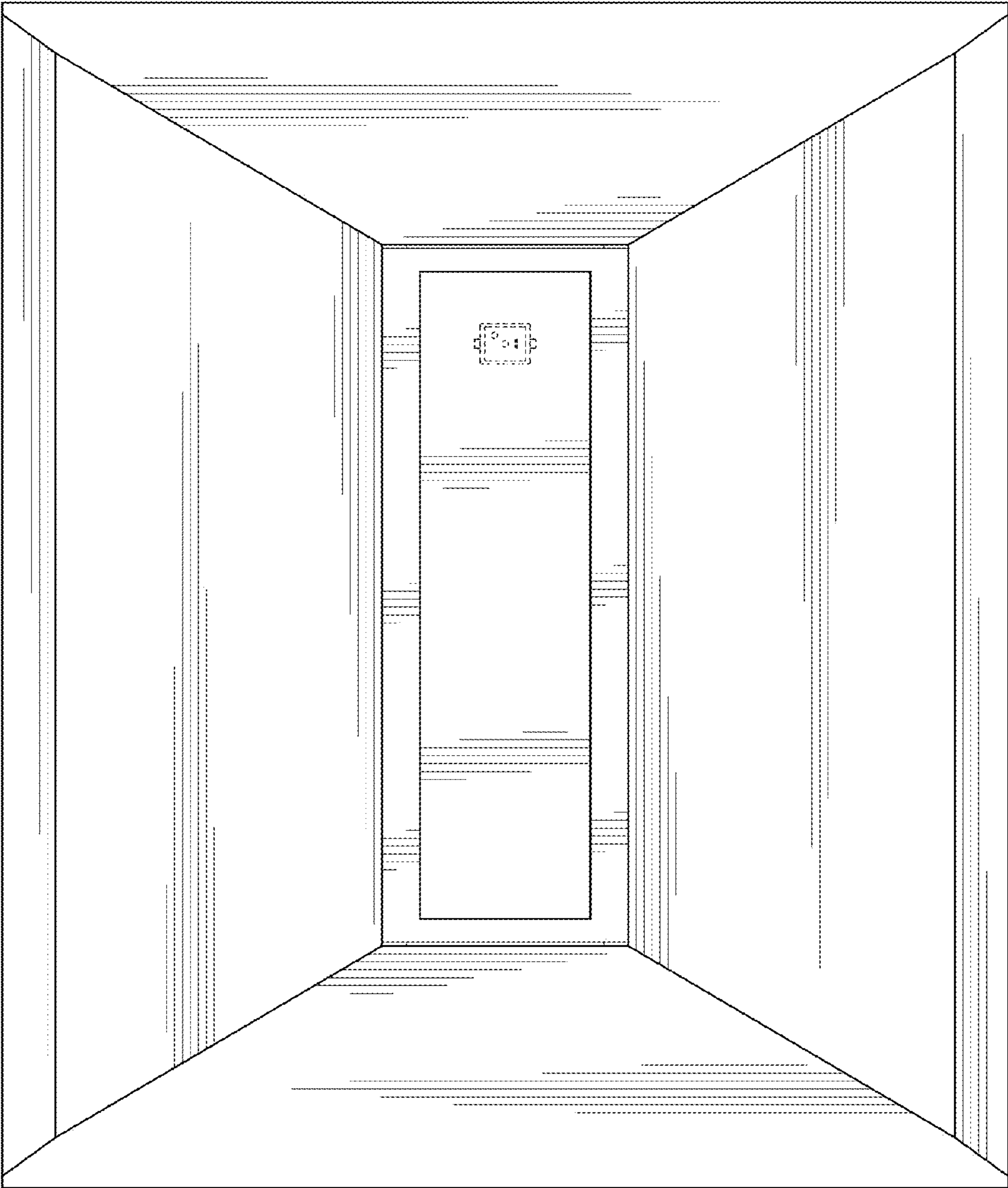
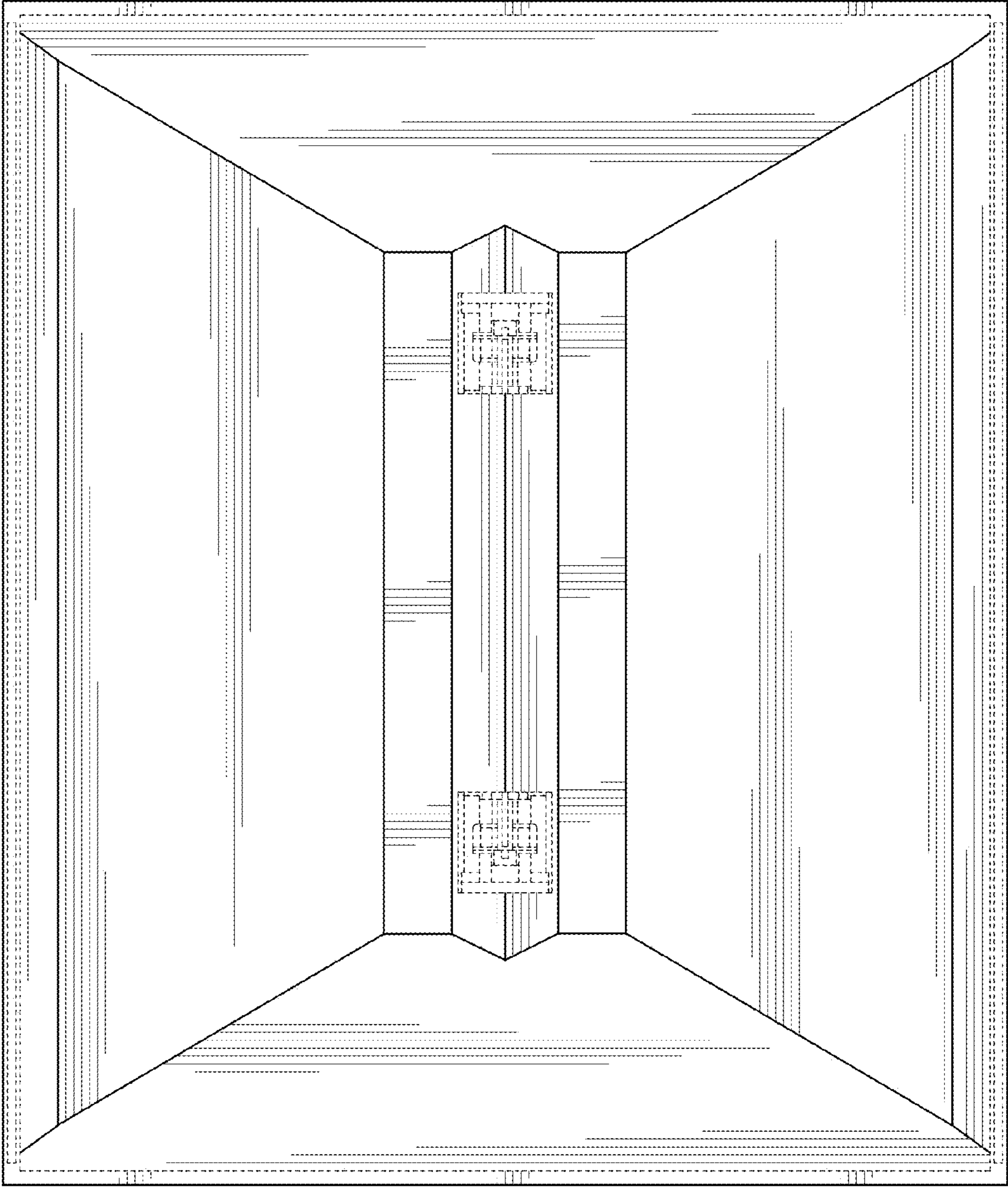


FIG. 8



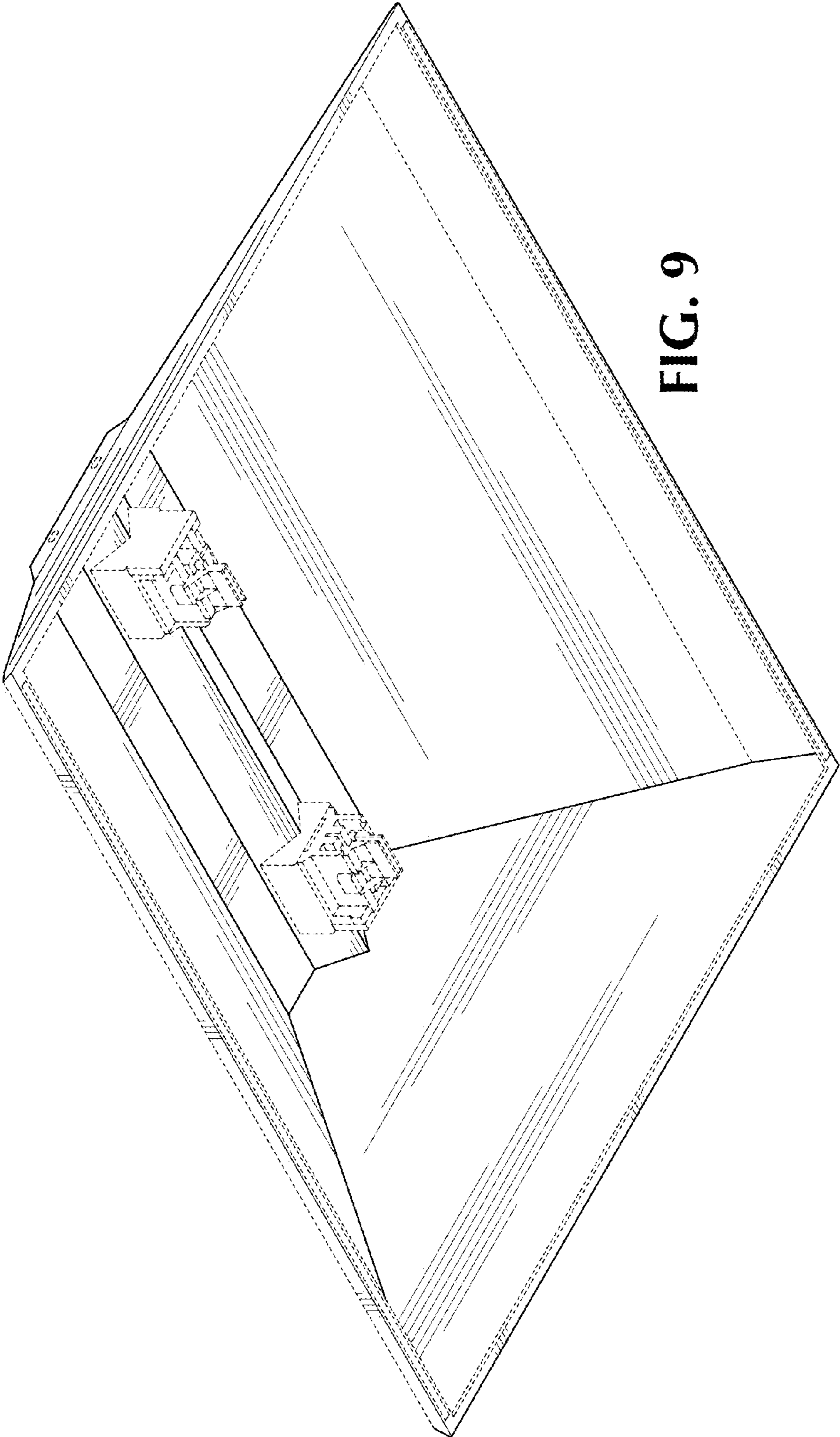


FIG. 9

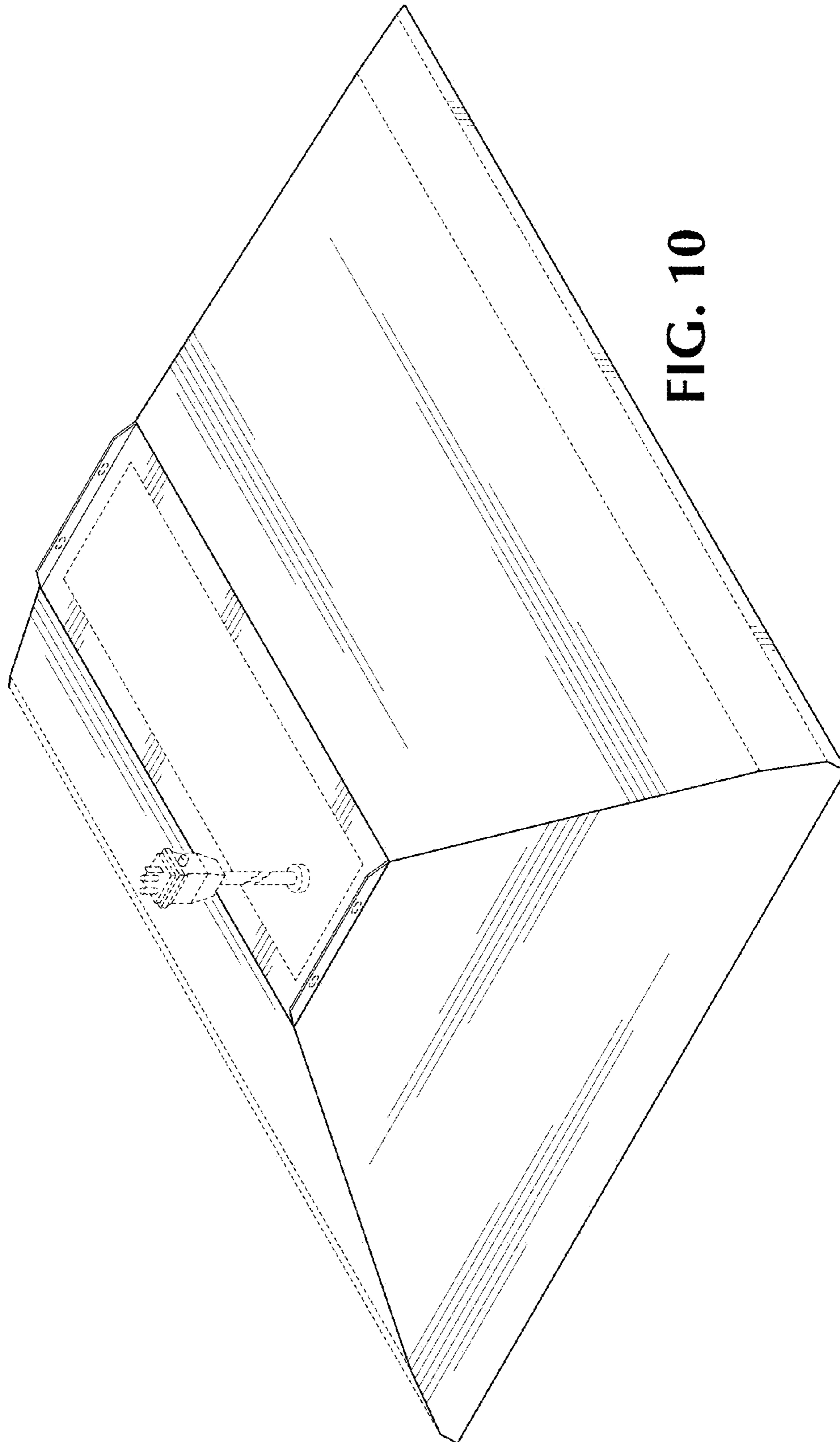
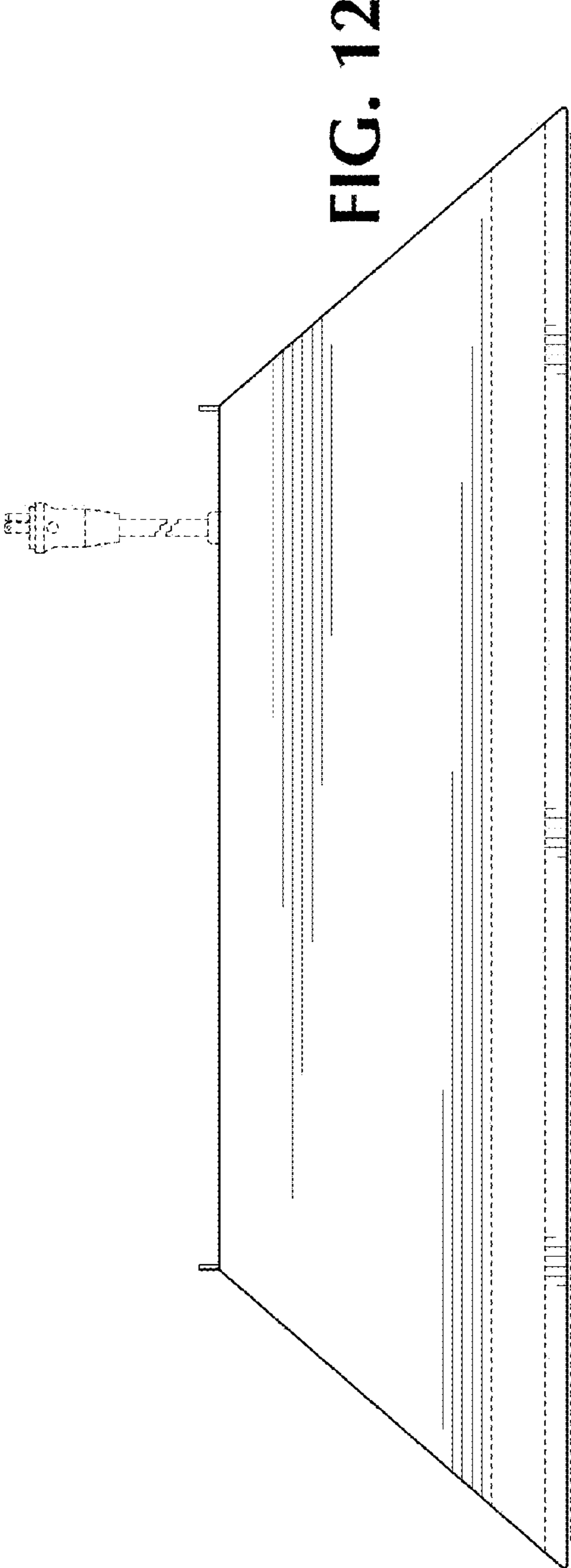
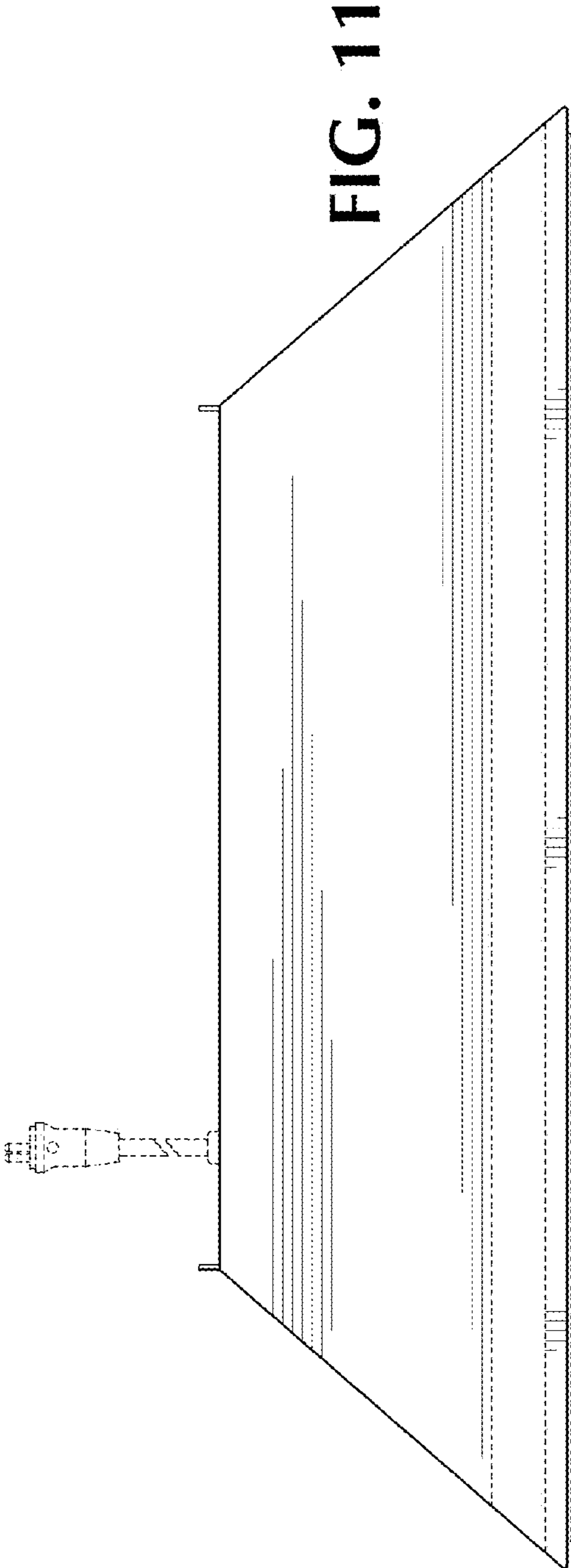


FIG. 10



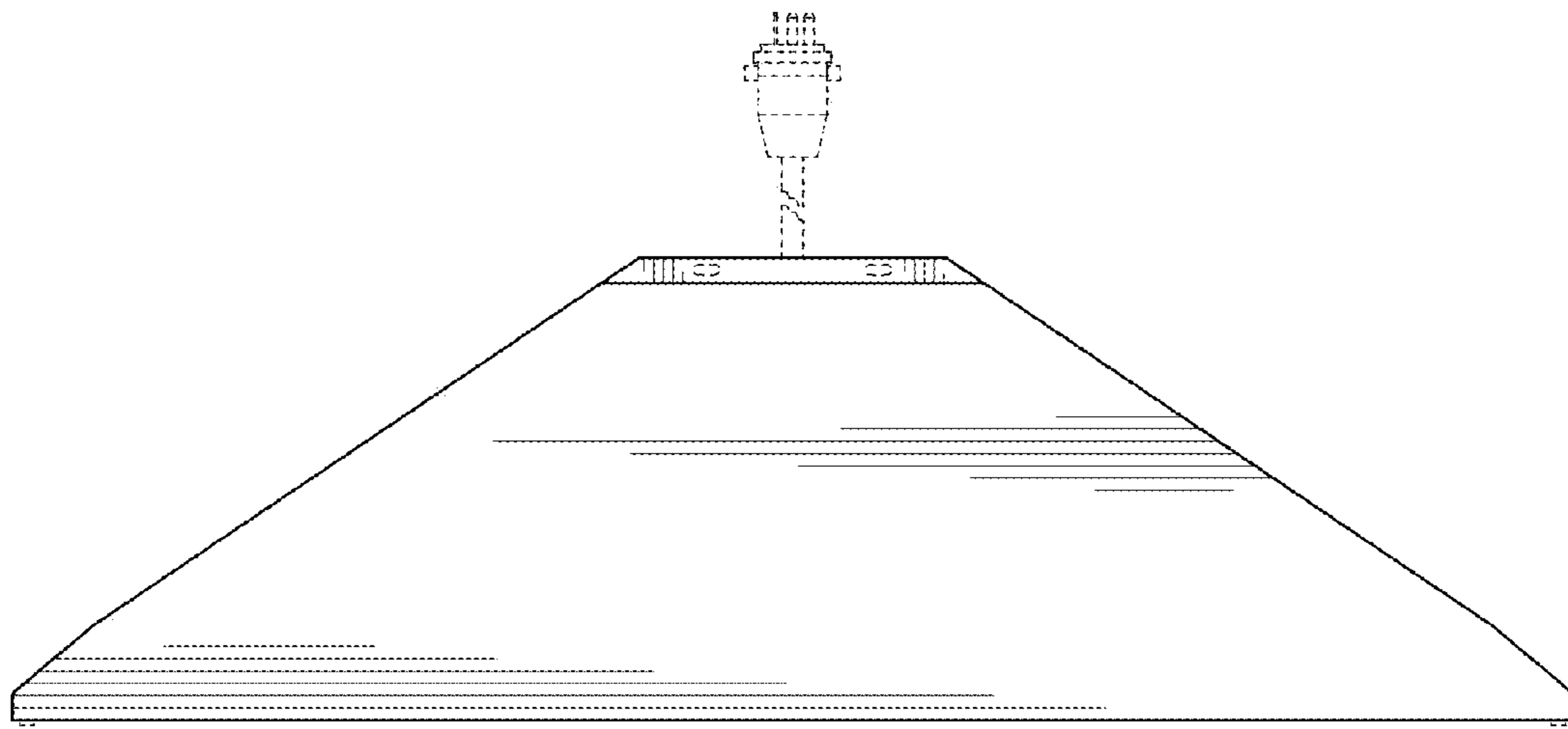


FIG. 13

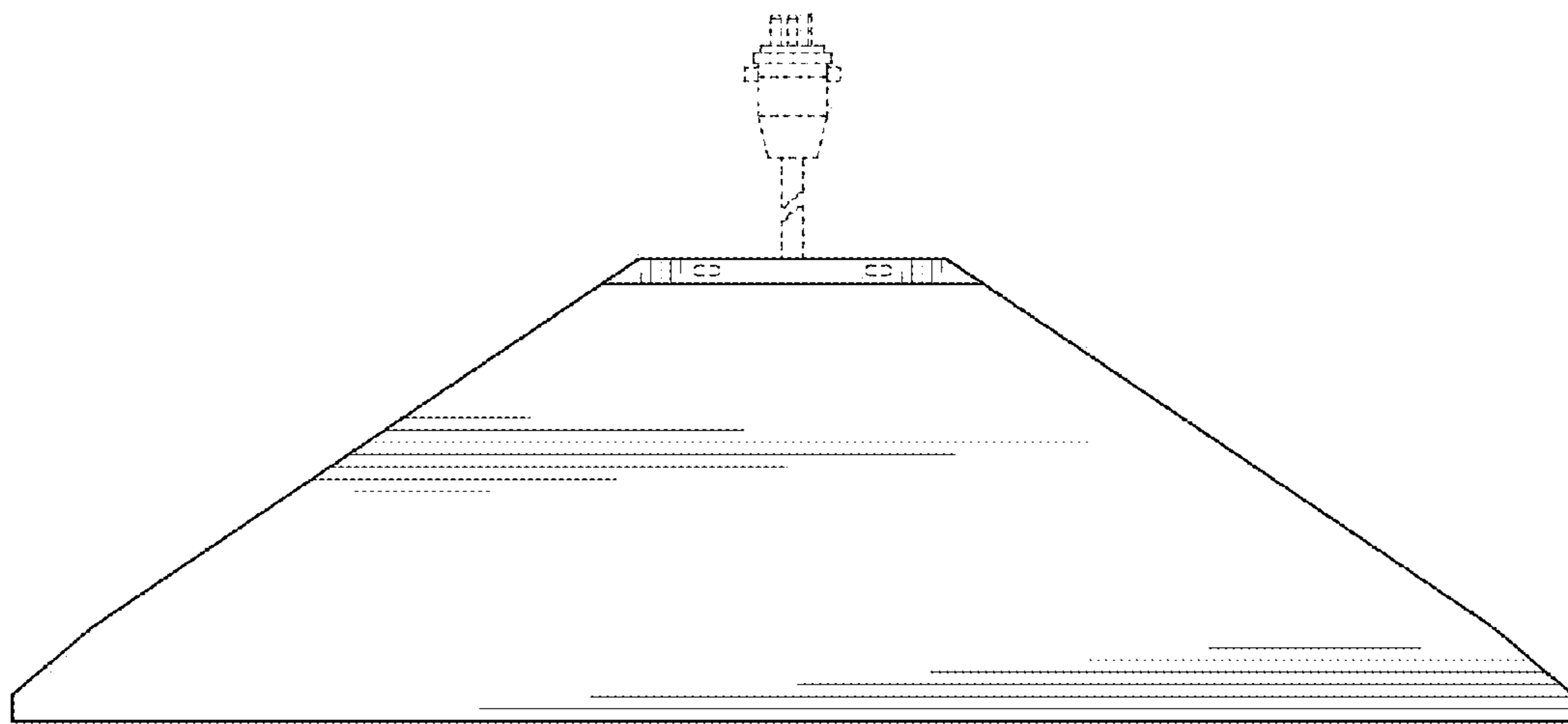


FIG. 14

FIG. 15

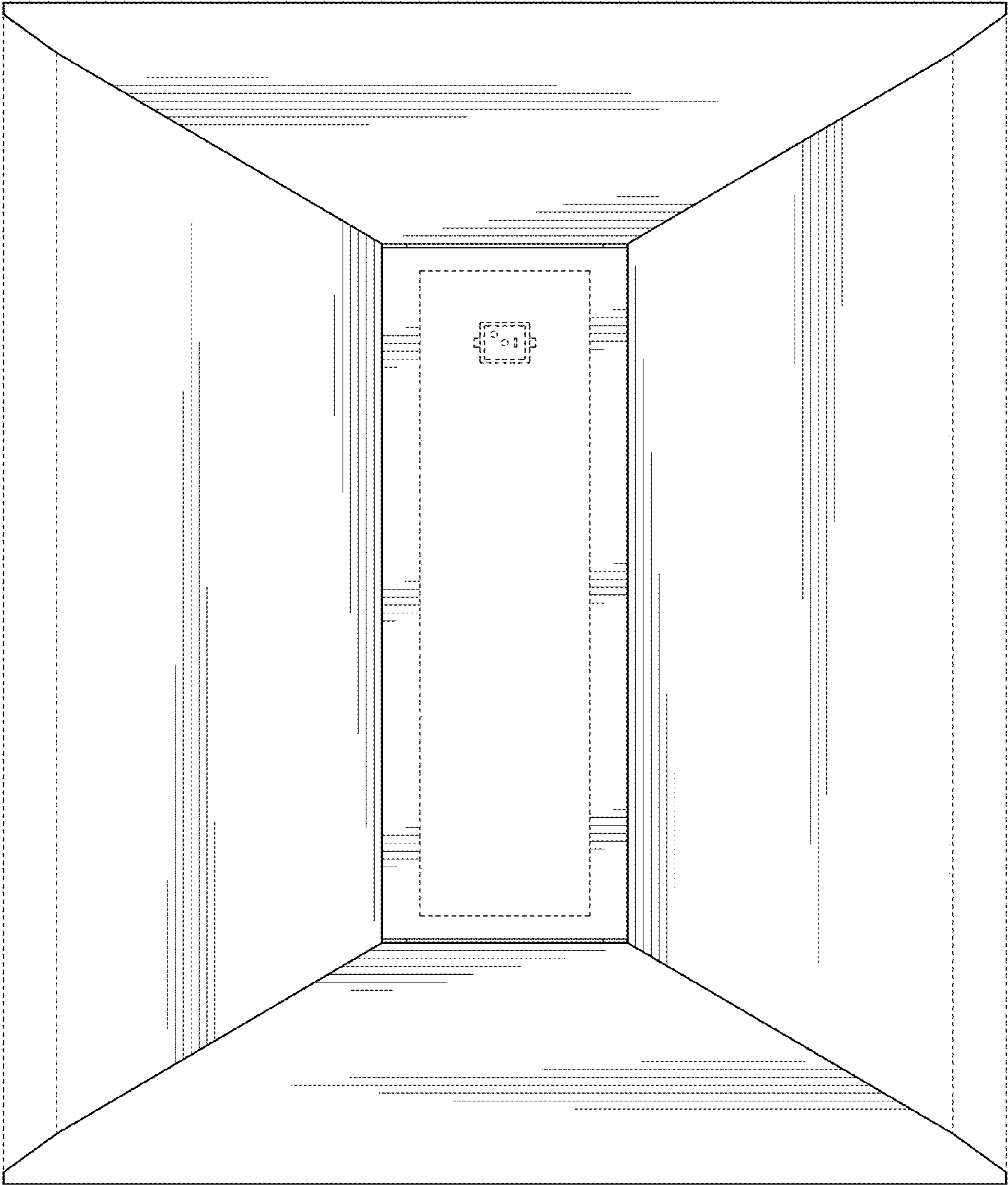


FIG. 16

